



US00D623589S

(12) **United States Design Patent**
Tarter et al.

(10) **Patent No.:** **US D623,589 S**

(45) **Date of Patent:** **** Sep. 14, 2010**

(54) **BATTERY PACK**

(75) Inventors: **Kevin J. Tarter**, Wichita, KS (US);
Byron N. Loibl, Wichita, KS (US);
Daniel E. DeBrunner, Wichita, KS (US)

(73) Assignee: **The Coleman Company, Inc.**, Wichita,
KS (US)

(**) Term: **14 Years**

(21) Appl. No.: **29/354,720**

(22) Filed: **Jan. 27, 2010**

(51) **LOC (9) Cl.** **13-02**

(52) **U.S. Cl.** **D13/103**

(58) **Field of Classification Search** D13/102-106,
D13/110, 118-119, 184, 199; 429/96-100,
429/163, 176

See application file for complete search history.

(56) **References Cited**

U.S. PATENT DOCUMENTS

D345,727 S *	4/1994	Flowers et al.	D13/103
D350,725 S *	9/1994	Powers et al.	D13/103
D514,532 S *	2/2006	Paoli	D13/184
D528,502 S *	9/2006	Fleetwood	D13/103
D547,264 S *	7/2007	Kondo	D13/103
D591,232 S *	4/2009	Zhuang	D13/103

D593,488 S *	6/2009	Harrison et al.	D13/103
D597,482 S *	8/2009	Kondo et al.	D13/103
D598,844 S *	8/2009	Harrison et al.	D13/103
D600,639 S *	9/2009	Tang	D13/103
D601,493 S *	10/2009	Tang	D13/103
D603,331 S *	11/2009	Schupp	D13/103

* cited by examiner

Primary Examiner—Rosemary K Tarcza

(74) *Attorney, Agent, or Firm*—Kelly S. Elsea

(57) **CLAIM**

The ornamental design for a battery pack, as shown and described.

DESCRIPTION

FIG. 1 is a front side perspective view of our battery pack;

FIG. 2 is a front elevation view thereof;

FIG. 3 is a rear elevation view thereof;

FIG. 4 is a left side elevation view thereof;

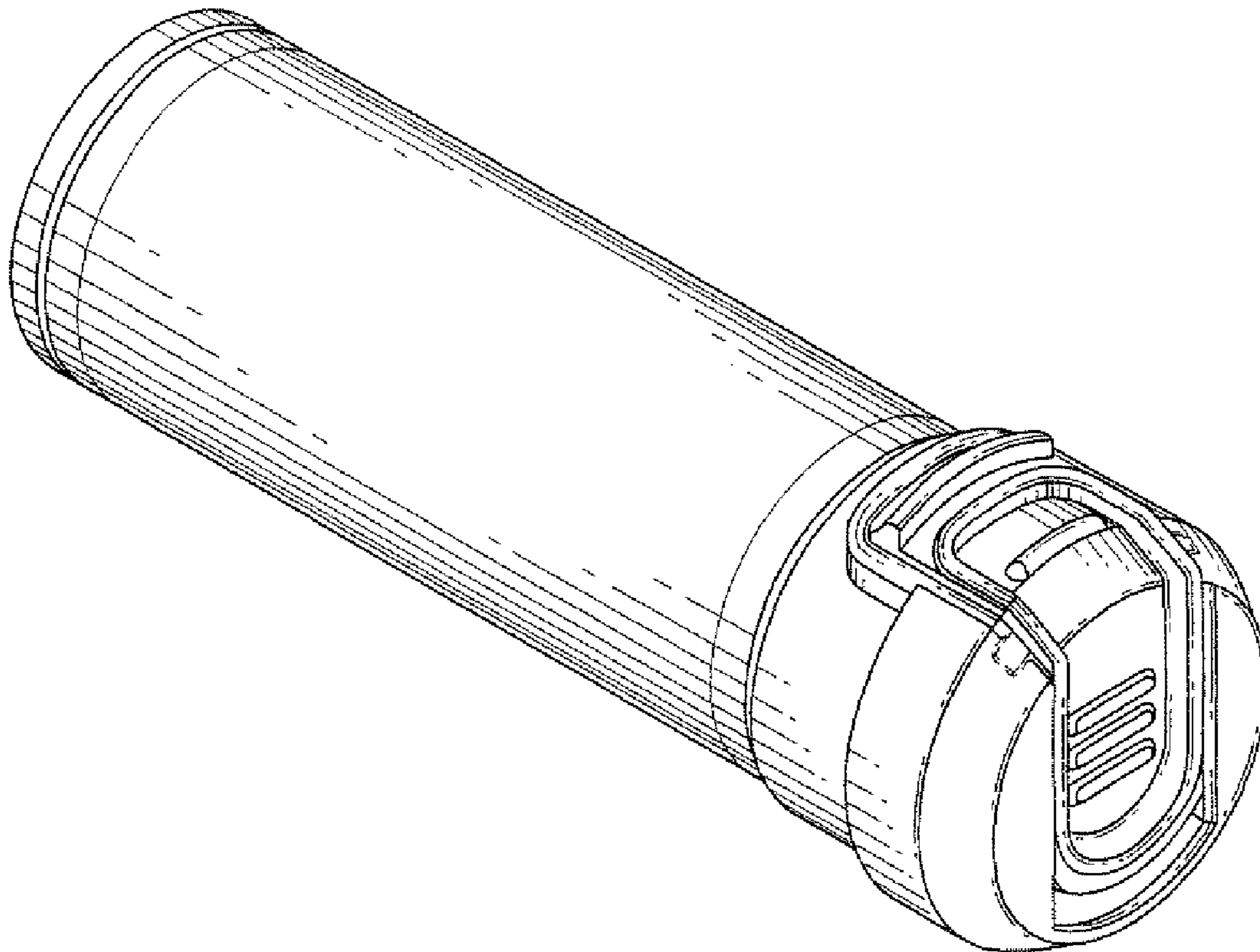
FIG. 5 is a right side elevation view thereof;

FIG. 6 is a top plan view thereof; and,

FIG. 7 is a bottom plan view thereof.

The broken line showing is for illustrative purposes only and forms no part of the claimed design.

1 Claim, 2 Drawing Sheets



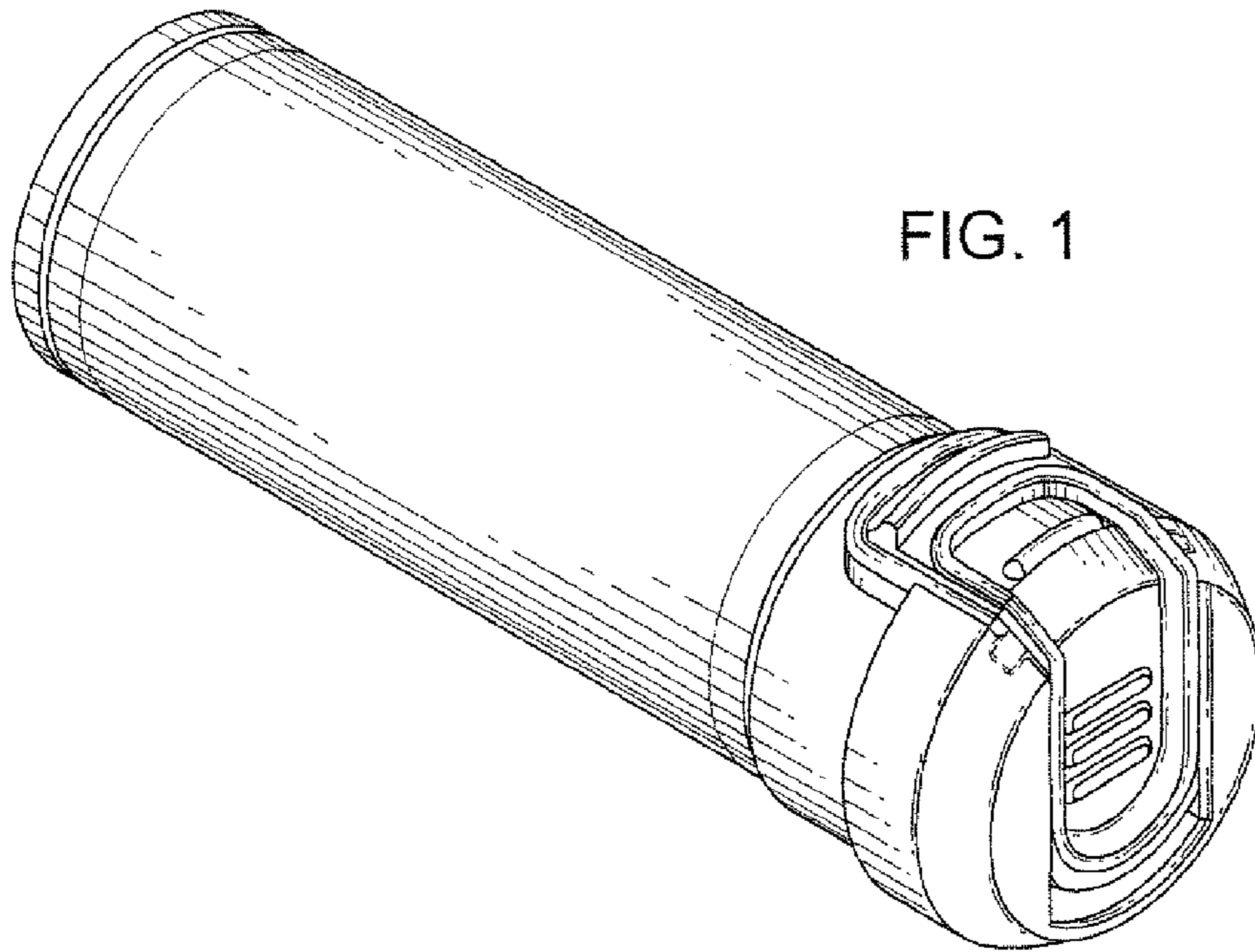


FIG. 1

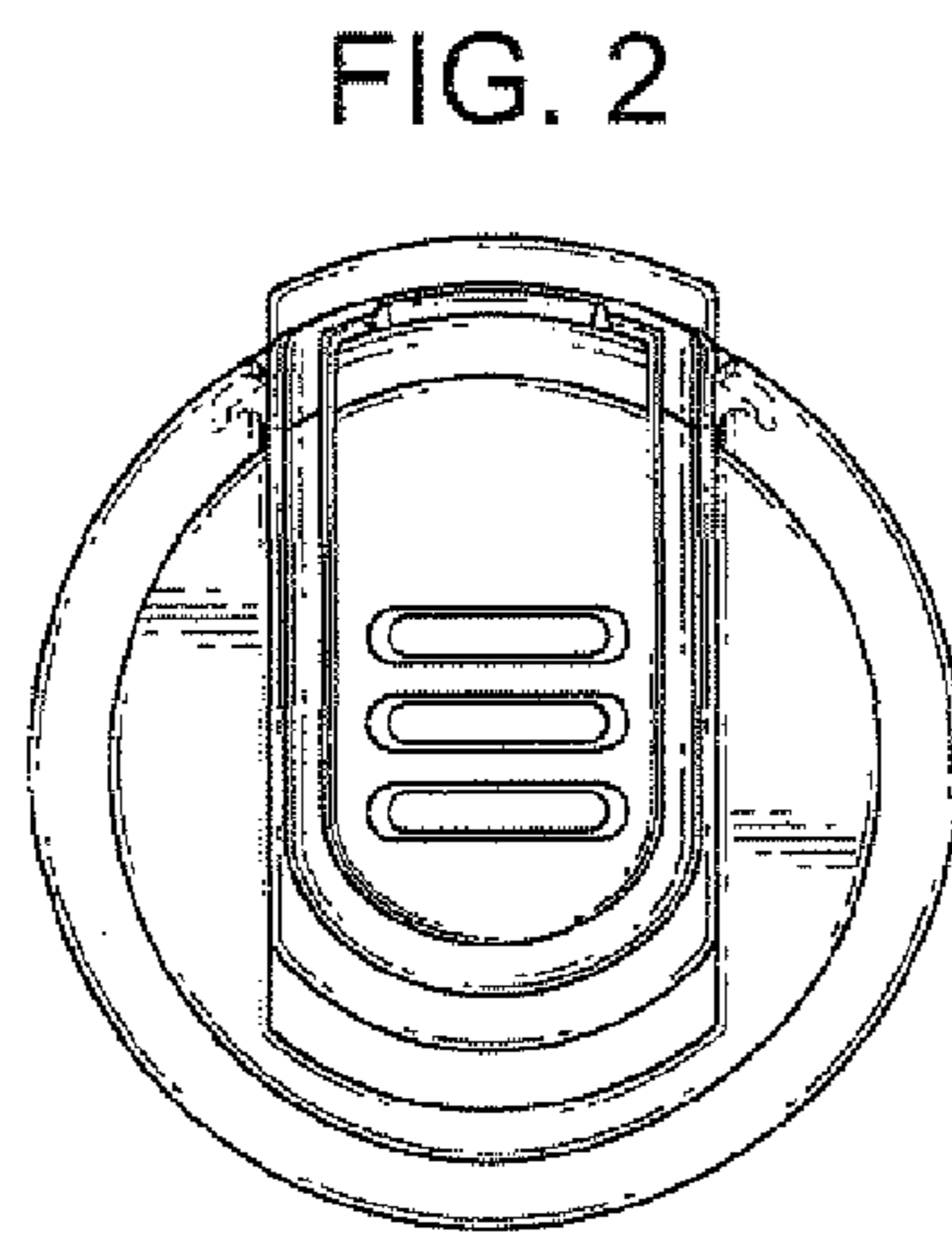


FIG. 2

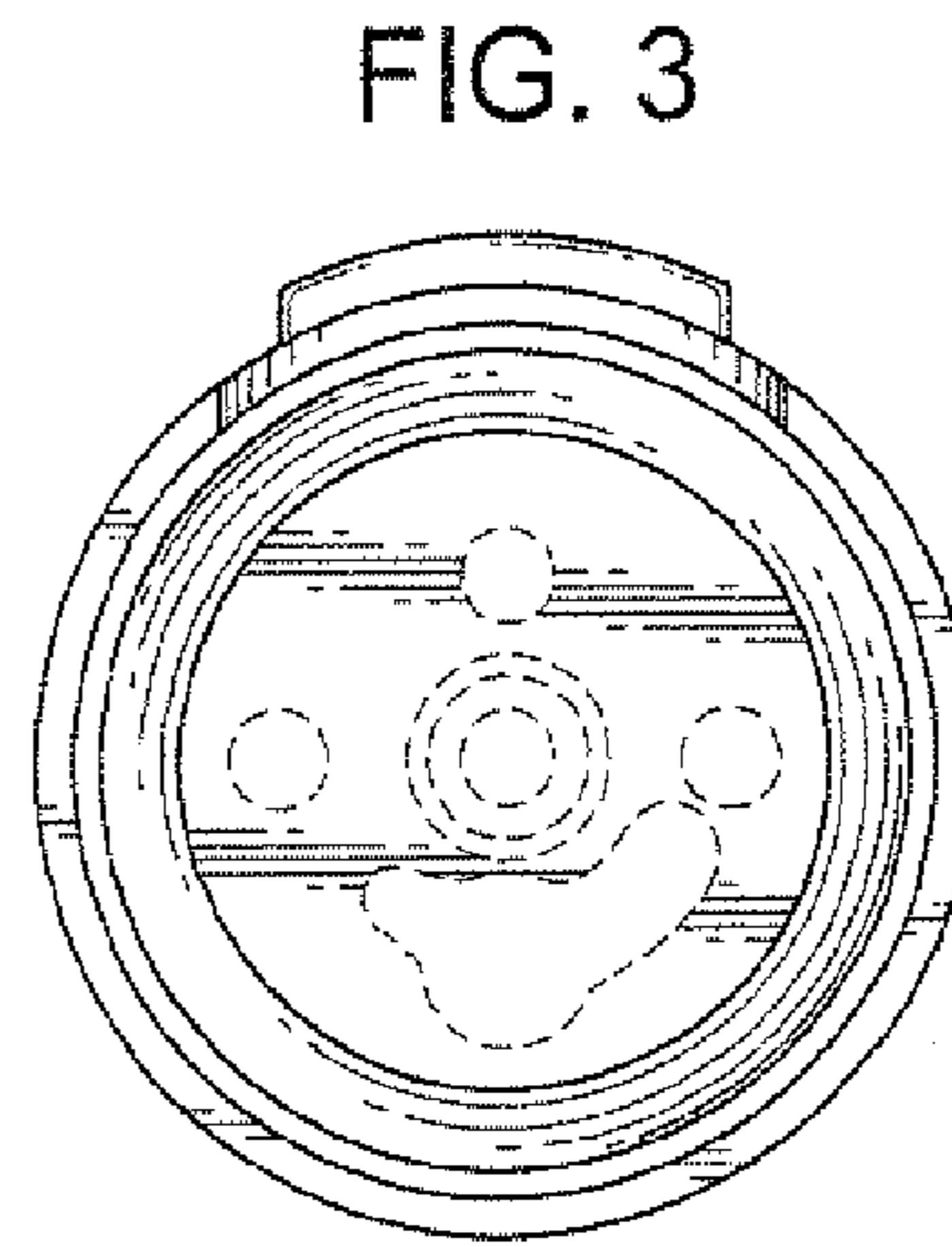


FIG. 3

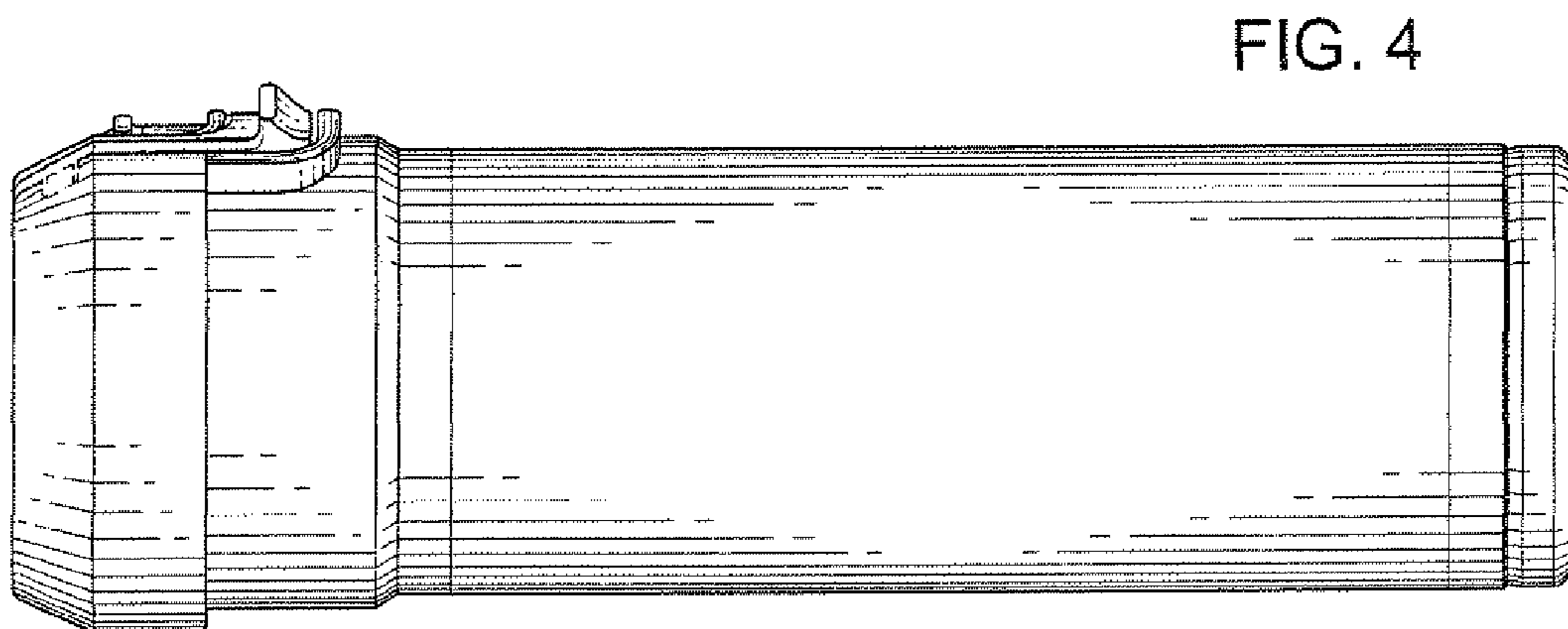


FIG. 4

FIG. 5

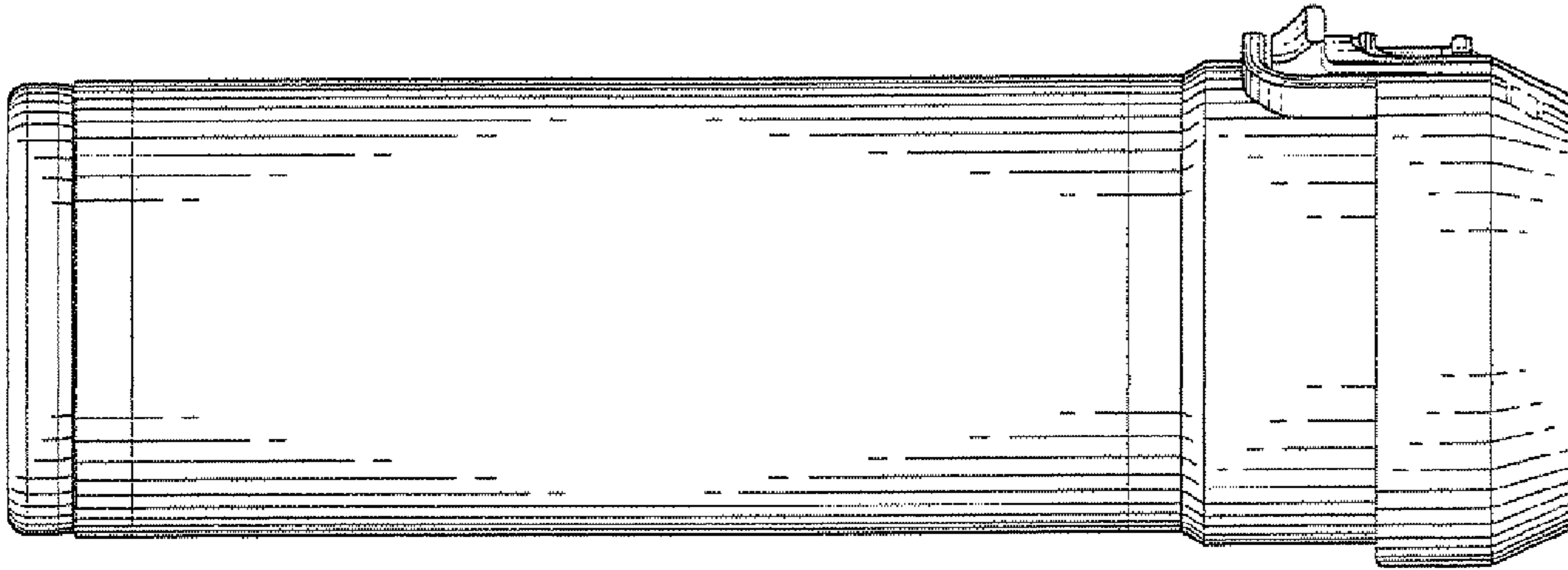


FIG. 6

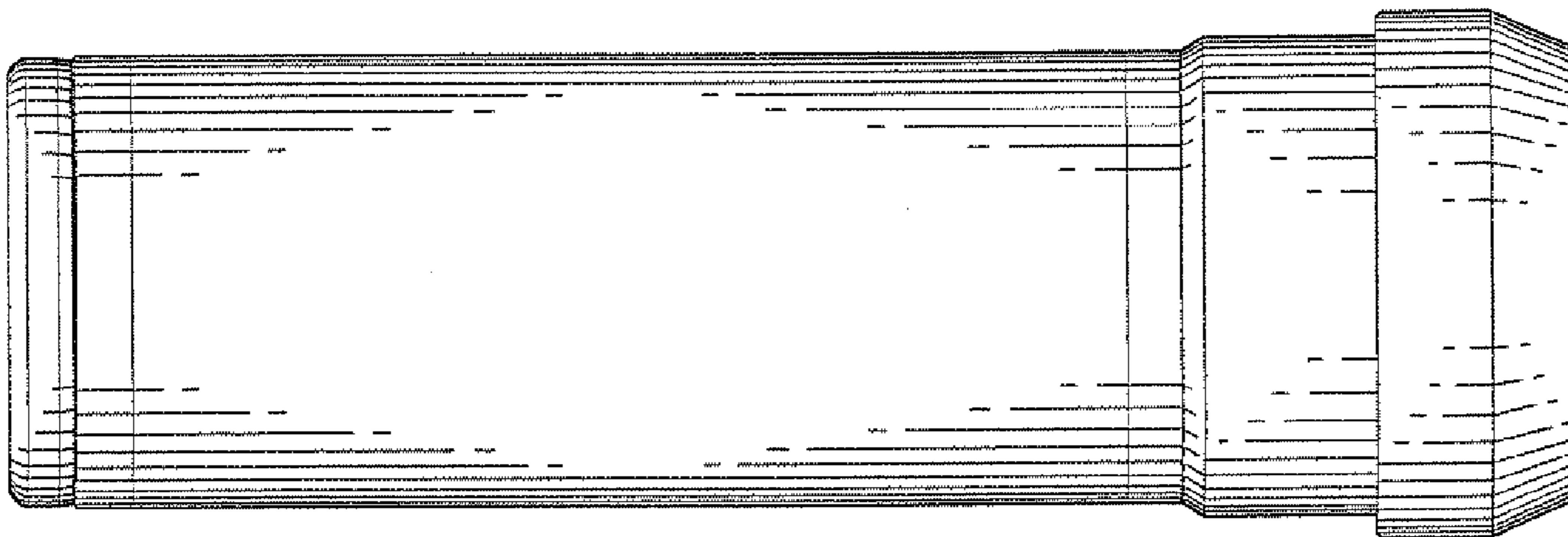


FIG. 7

