

US00D623588S

(12) **United States Design Patent**
Swartzwelder

(10) **Patent No.:** **US D623,588 S**

(45) **Date of Patent:** **** *Sep. 14, 2010**

(54) **TIRE SHOULDER REGION**

(75) Inventor: **Chris Swartzwelder**, Akron, OH (US)

(73) Assignee: **Bridgestone Americas Tire Operations, LLC**

(**) Term: **14 Years**

(21) Appl. No.: **29/354,663**

(22) Filed: **Jan. 27, 2010**

(51) **LOC (9) Cl.** **12-15**

(52) **U.S. Cl.** **D12/605**

(58) **Field of Classification Search** D12/500-501,
D12/544, 579, 600-605; 152/523-524, DIG. 12,
152/555; D7/588, 396.4-396.5
See application file for complete search history.

(56) **References Cited**

U.S. PATENT DOCUMENTS

D354,467 S *	1/1995	Wallet et al.	D12/602
D447,449 S *	9/2001	Guspodin	D12/605
D449,803 S *	10/2001	Guspodin et al.	D12/605
D454,815 S *	3/2002	Guspodin et al.	D12/605
D455,682 S *	4/2002	Hutz et al.	D12/605
D460,409 S *	7/2002	Weaver et al.	D12/605
D495,294 S *	8/2004	Ochi et al.	D12/605
D563,311 S *	3/2008	Brainerd et al.	D12/605
D577,331 S *	9/2008	Ochi	D12/605
D595,643 S *	7/2009	Ochi	D12/605
D597,024 S *	7/2009	Ochi	D12/605
D610,532 S *	2/2010	Brainerd et al.	D12/605
D610,533 S *	2/2010	Ochi	D12/605
D610,977 S *	3/2010	Osaka	D12/605

D611,894 S * 3/2010 Scheifele D12/605

OTHER PUBLICATIONS

James Garfield, Firestone Rear Wheel (R-3) ANS Tractor, 2005 Tread Design Guide, 2005, p. 177, vol. 40, Tire Guides, Inc., Boca Raton, United States.

Jon I. Stuckey, PCT Patent Application PCT/US10/22221, Tire With Noise-Reducing Tread Pattern, Jan. 27, 2010, pp. 1-31, United States.
Trevor M. Kline, PCT Patent Application PCT/US10/22217, Tire With Noise-Reducing Tread Pattern, Jan. 27, 2010, pp. 1-16, United States.

* cited by examiner

Primary Examiner—Stacia Cadmus

(74) *Attorney, Agent, or Firm*—Thomas R. Kingsbury

(57) **CLAIM**

The ornamental design for a tire shoulder region, as shown and described.

DESCRIPTION

FIG. 1 is a right side perspective view of a shoulder region for a tire showing my new design, it being understood that the shoulder region is repeated throughout the circumference of the tire, the opposite side being the same as that shown;

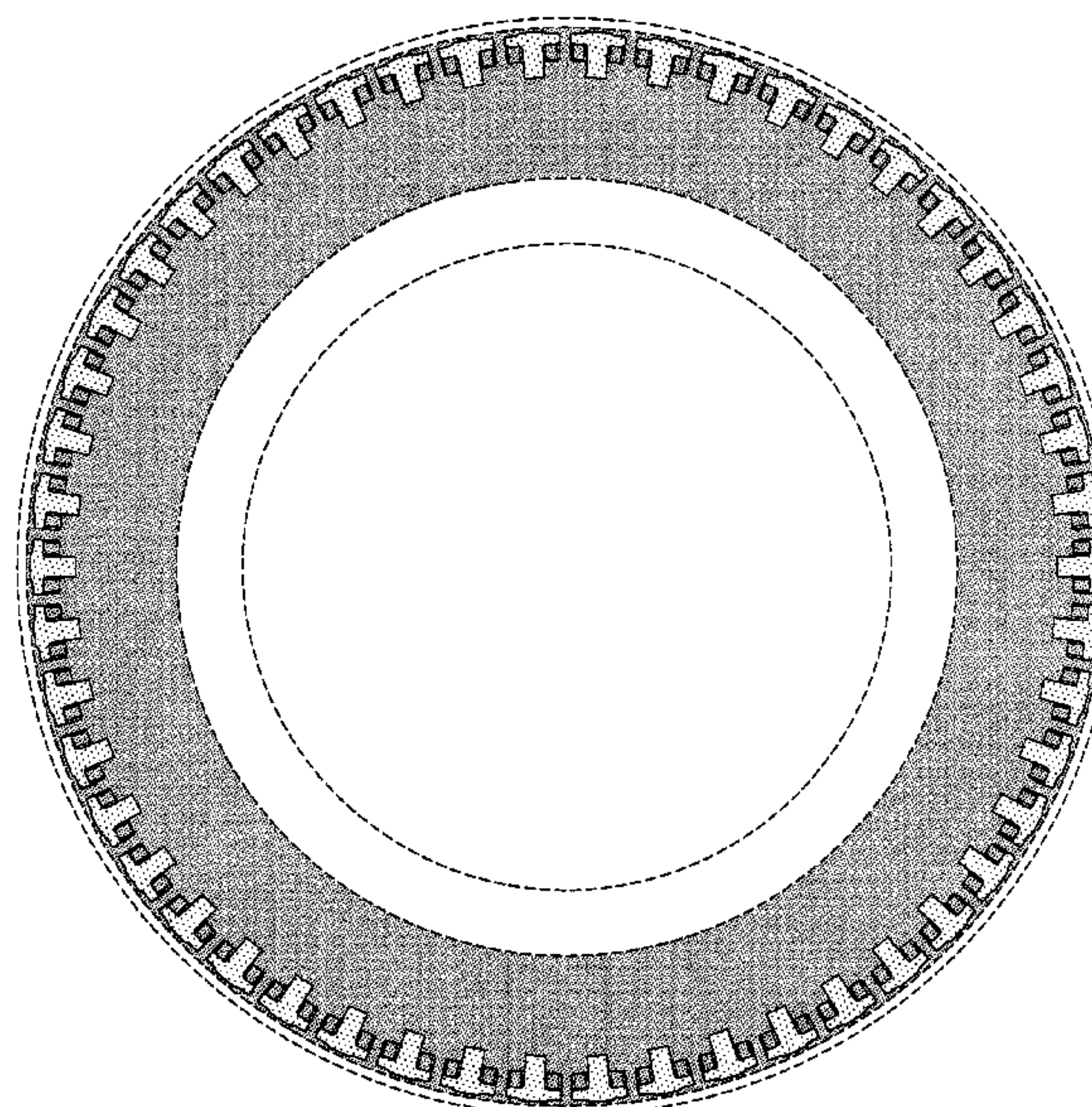
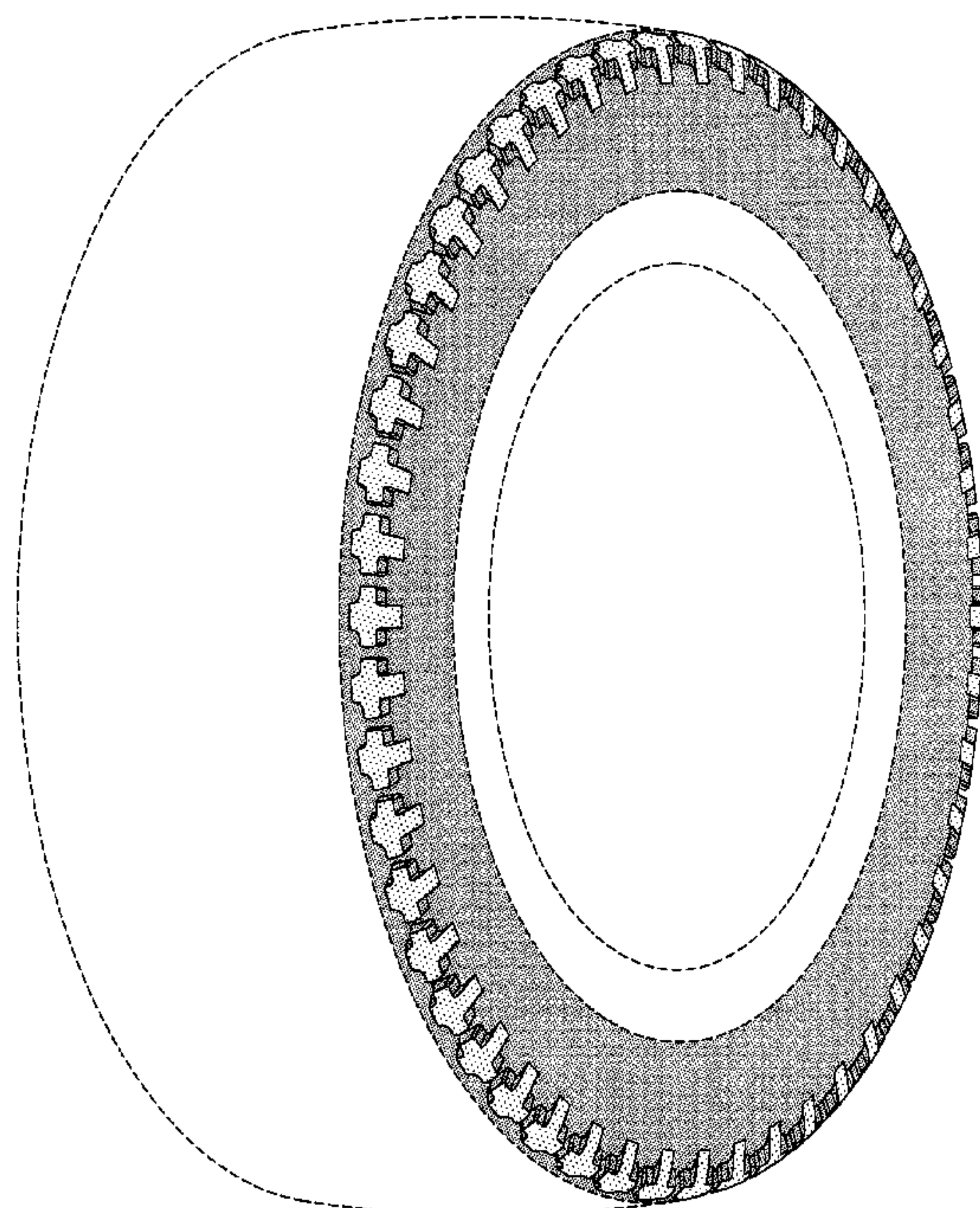
FIG. 2 is a front elevational view thereof,

FIG. 3 is a side elevational view of the right side thereof, the opposite side being identical thereto; and,

FIG. 4 is an enlarged fragmentary right side perspective view thereof.

The broken lines defining the tire sidewall, inner bead, and the peripheral boundary between the claimed tire shoulder region and the tire are for illustrative purposes only and form no part of the claimed design.

1 Claim, 4 Drawing Sheets



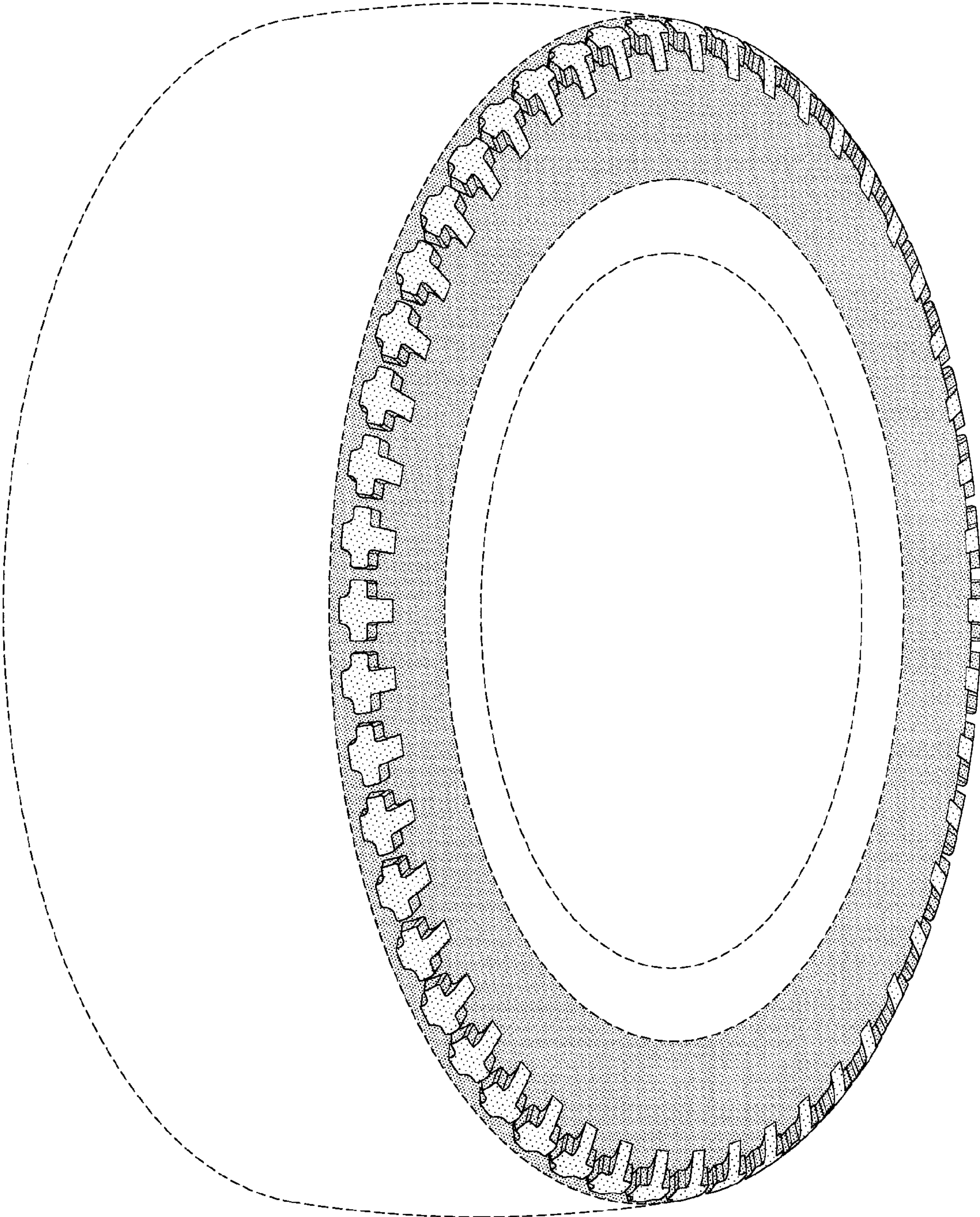


FIG-1

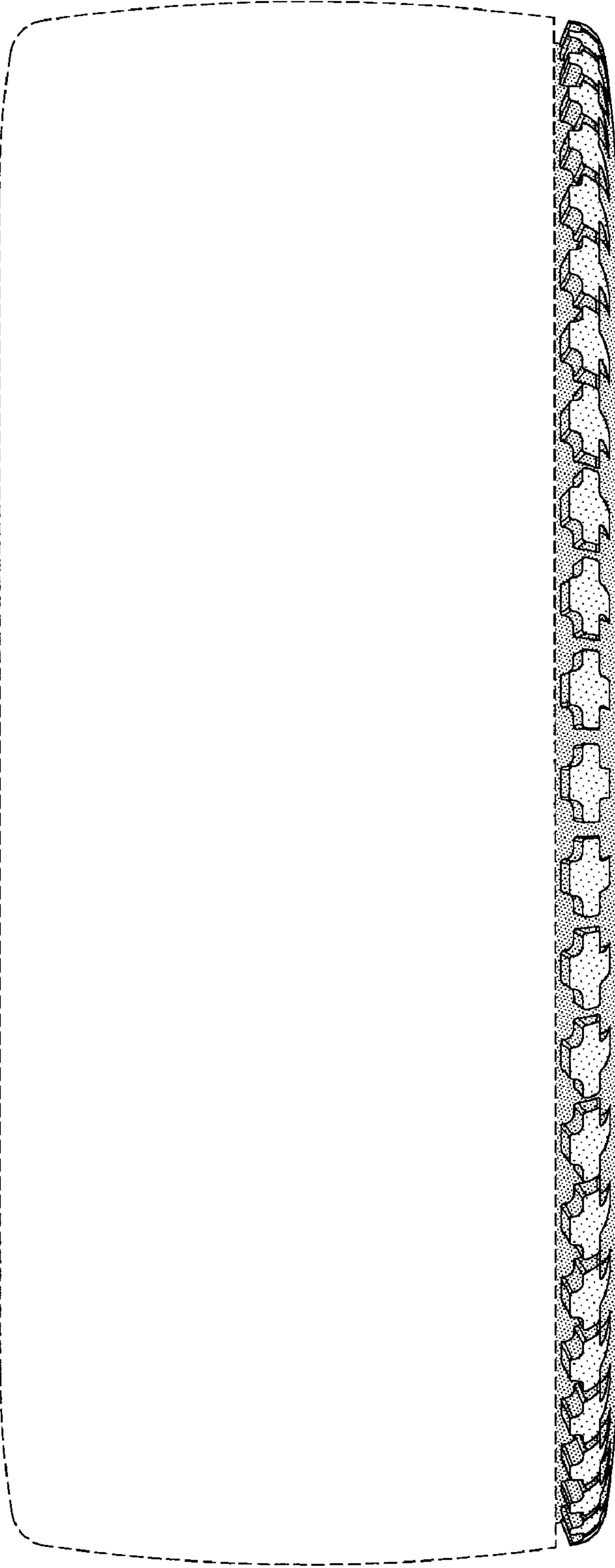


FIG-2

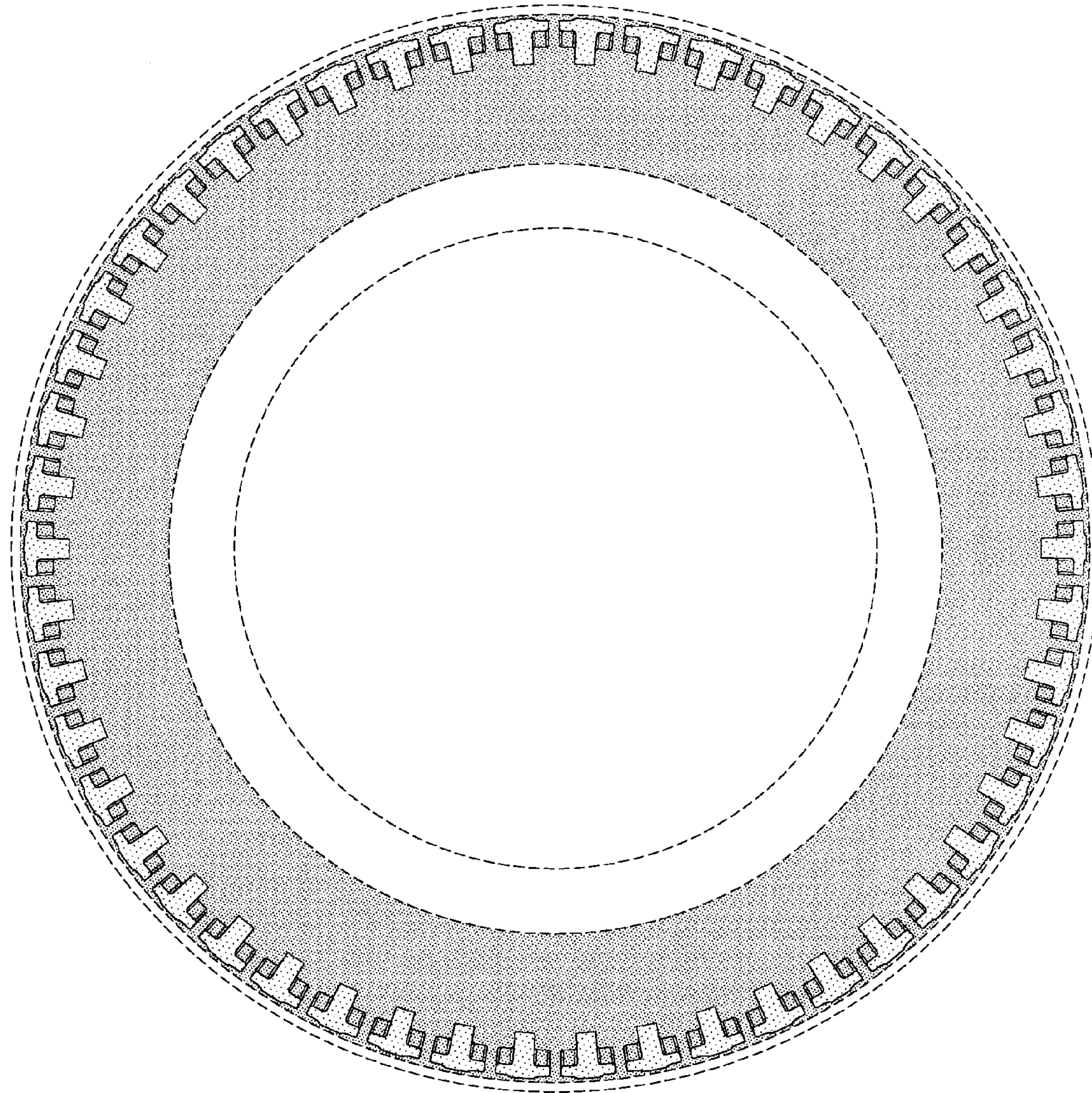


FIG-3

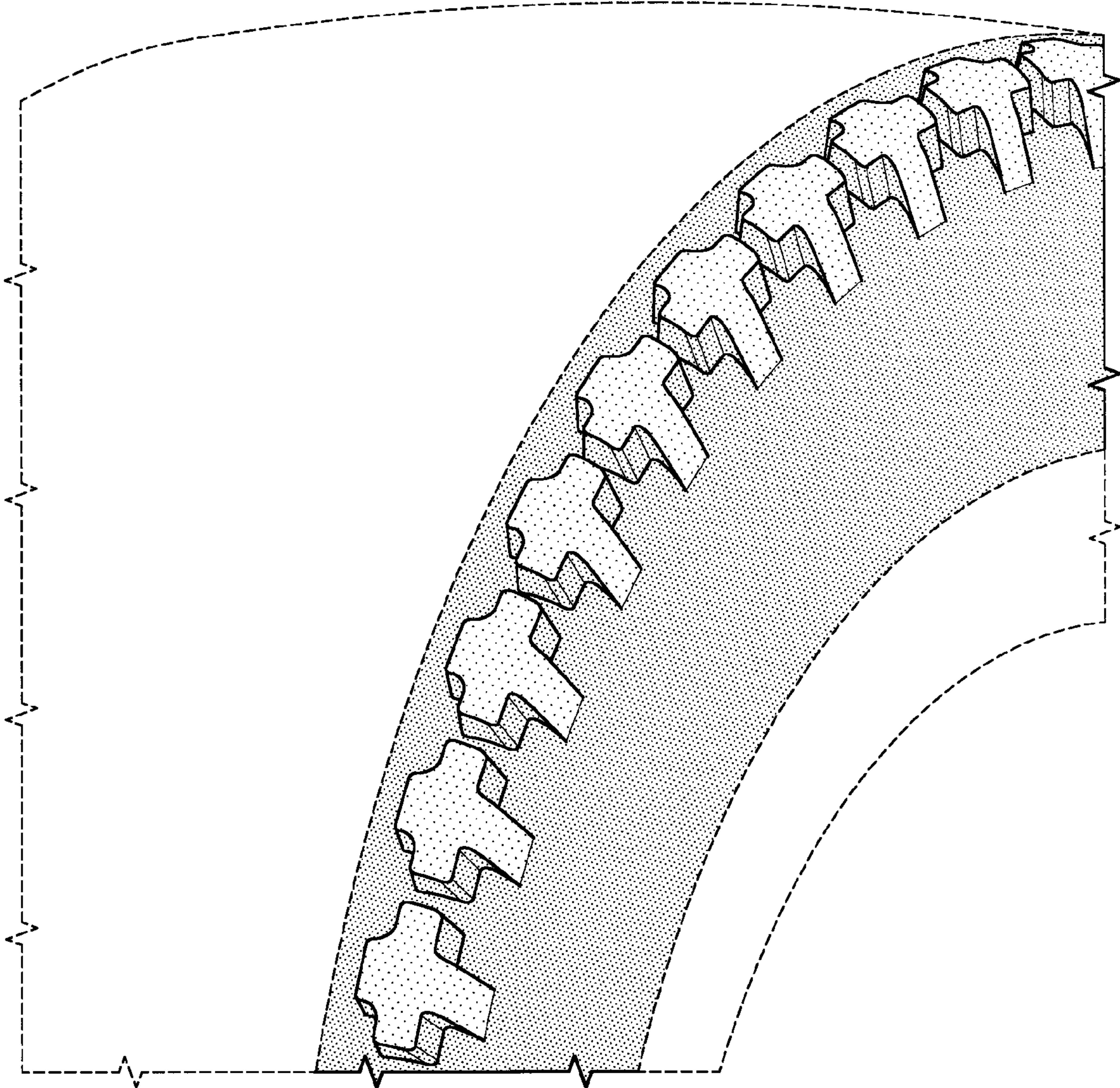


FIG-4