



US00D623587S

(12) **United States Design Patent**
Ohashi

(10) **Patent No.:** **US D623,587 S**

(45) **Date of Patent:** **** Sep. 14, 2010**

(54) **AUTOMOBILE TIRE**

D604,688 S * 11/2009 Sato D12/514
D610,525 S * 2/2010 Behr et al. D12/521

(75) Inventor: **Toshiyuki Ohashi**, Osaka (JP)

FOREIGN PATENT DOCUMENTS

(73) Assignee: **Toyo Tire & Rubber Co., Ltd.**, Osaka (JP)

JP 1309304 S 9/2007

* cited by examiner

(**) Term: **14 Years**

Primary Examiner—Stacia Cadmus

(21) Appl. No.: **29/355,894**

(74) *Attorney, Agent, or Firm*—Westerman, Hattori, Daniels & Adrian, LLP

(22) Filed: **Feb. 16, 2010**

(57) **CLAIM**

(30) **Foreign Application Priority Data**

The ornamental design for an automobile tire, as shown and described.

Aug. 19, 2009 (JP) 2009-018912

(51) **LOC (9) Cl.** **12-15**

(52) **U.S. Cl.** **D12/521**

(58) **Field of Classification Search** D12/505–532,
D12/900–901; 152/209.1, 209.8–209.19,
152/209.25–209.28, 455–456

See application file for complete search history.

DESCRIPTION

FIG. 1 is a front view thereof;

FIG. 2 is a rear view thereof;

FIG. 3 is a left side view thereof;

FIG. 4 is a right side view thereof;

FIG. 5 is a top view thereof;

FIG. 6 is a perspective view thereof;

FIG. 7 is an enlarged cross-sectional view taken along line 7—7 in FIG. 1; and,

FIG. 8 is an enlarged tread view taken along the line B1-B2 of FIG. 1, in the part 8—8 of FIG. 4.

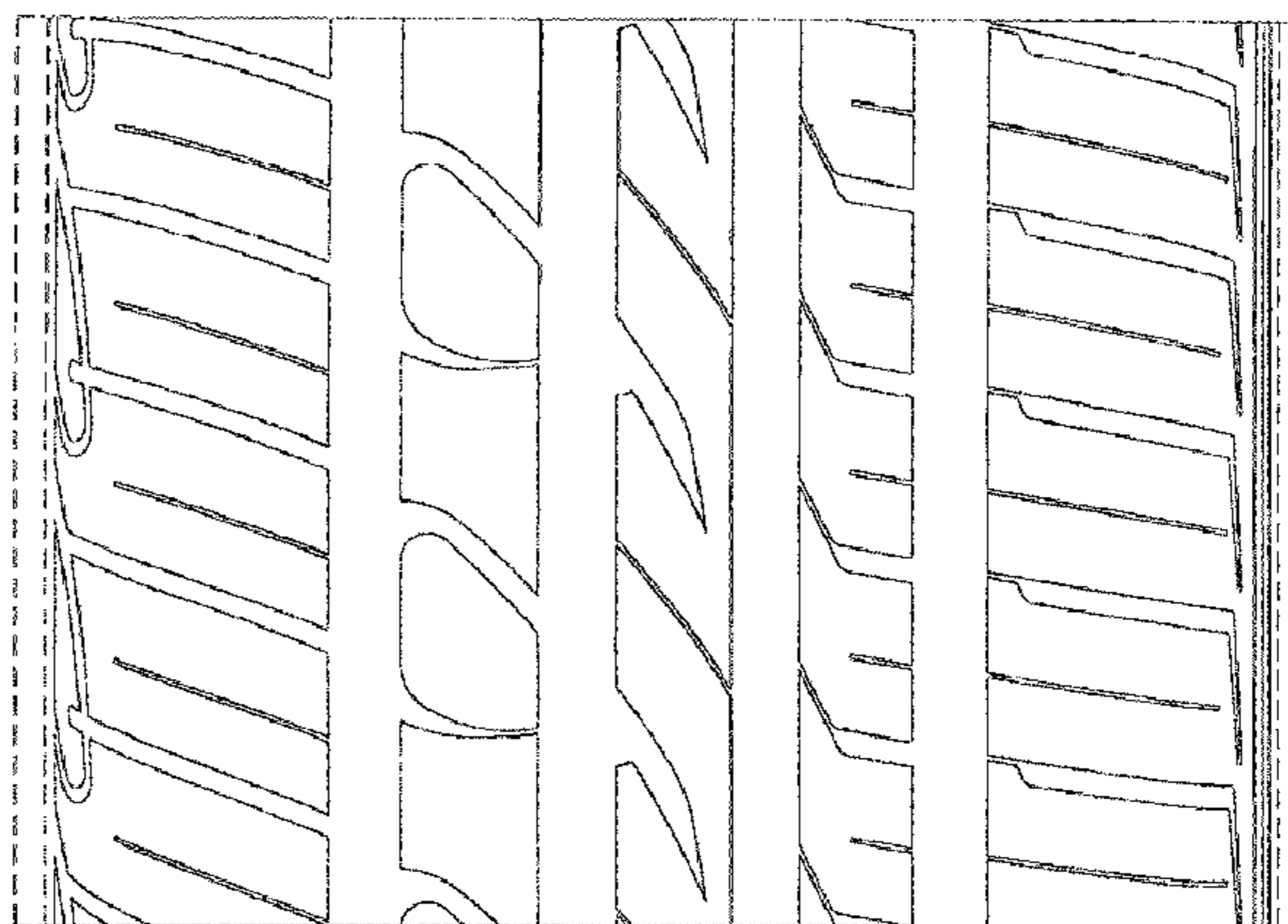
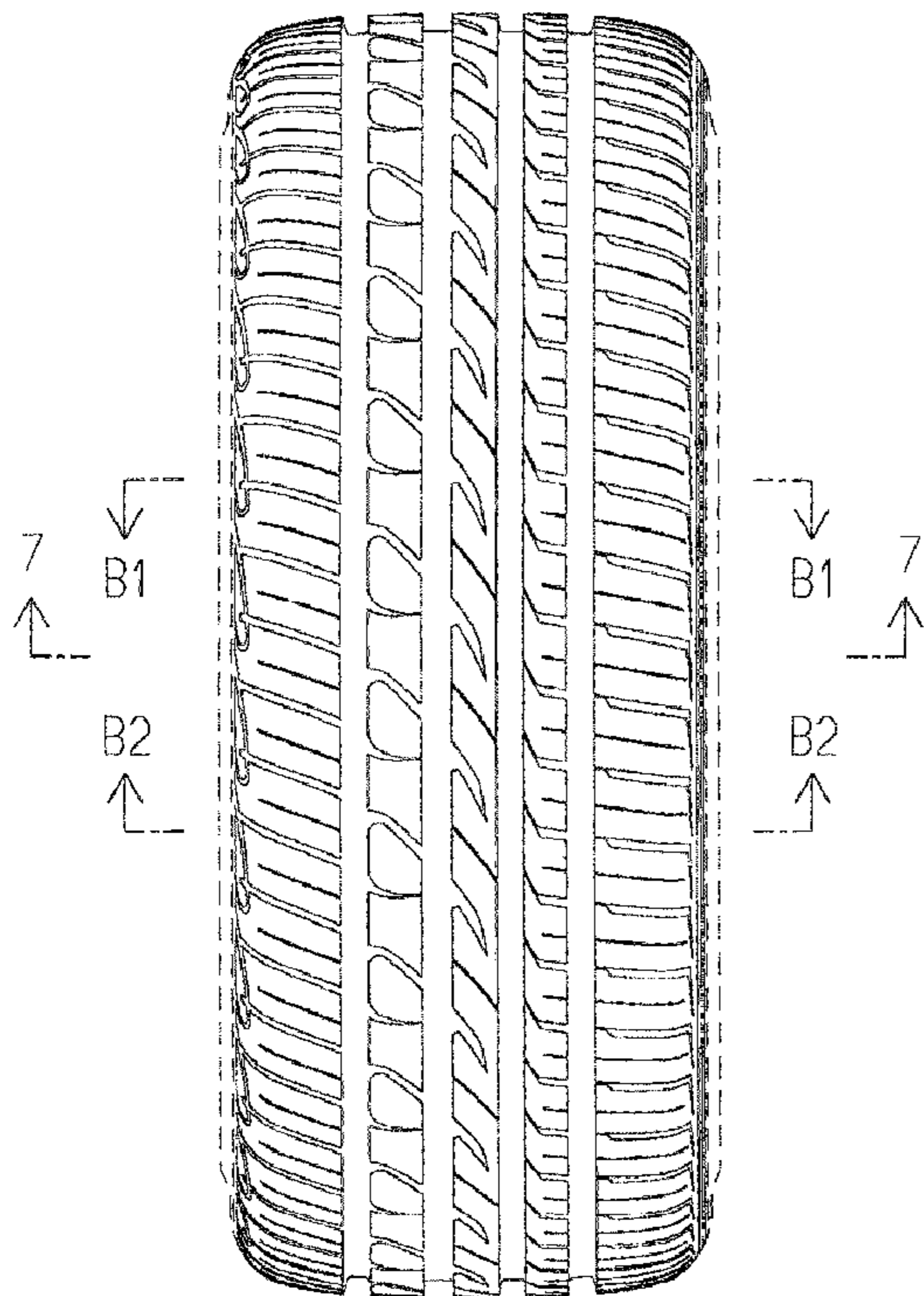
The broken lines illustrate environmental structure and form no part of the claimed design.

(56) **References Cited**

U.S. PATENT DOCUMENTS

D490,046 S * 5/2004 Fukunaga D12/521
D524,234 S * 7/2006 Schmalix et al. D12/521
D585,361 S * 1/2009 Ho D12/521
D588,522 S * 3/2009 Matsumoto D12/531
D595,636 S * 7/2009 Miyazaki D12/519
D597,021 S * 7/2009 Kiwaki D12/521
D600,192 S * 9/2009 Sato D12/521
D601,486 S * 10/2009 Kim et al. D12/521

1 Claim, 8 Drawing Sheets



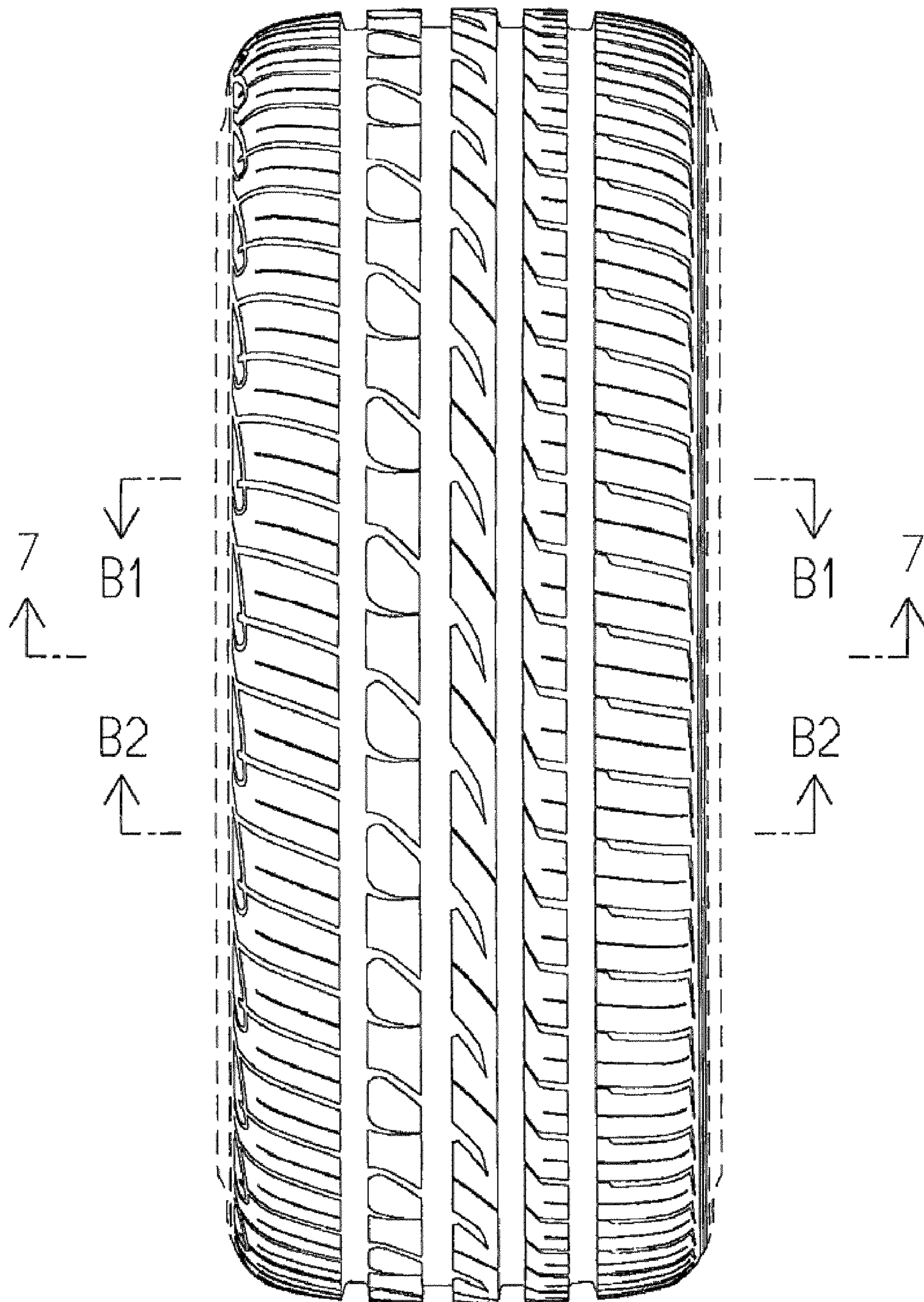


FIG. 1

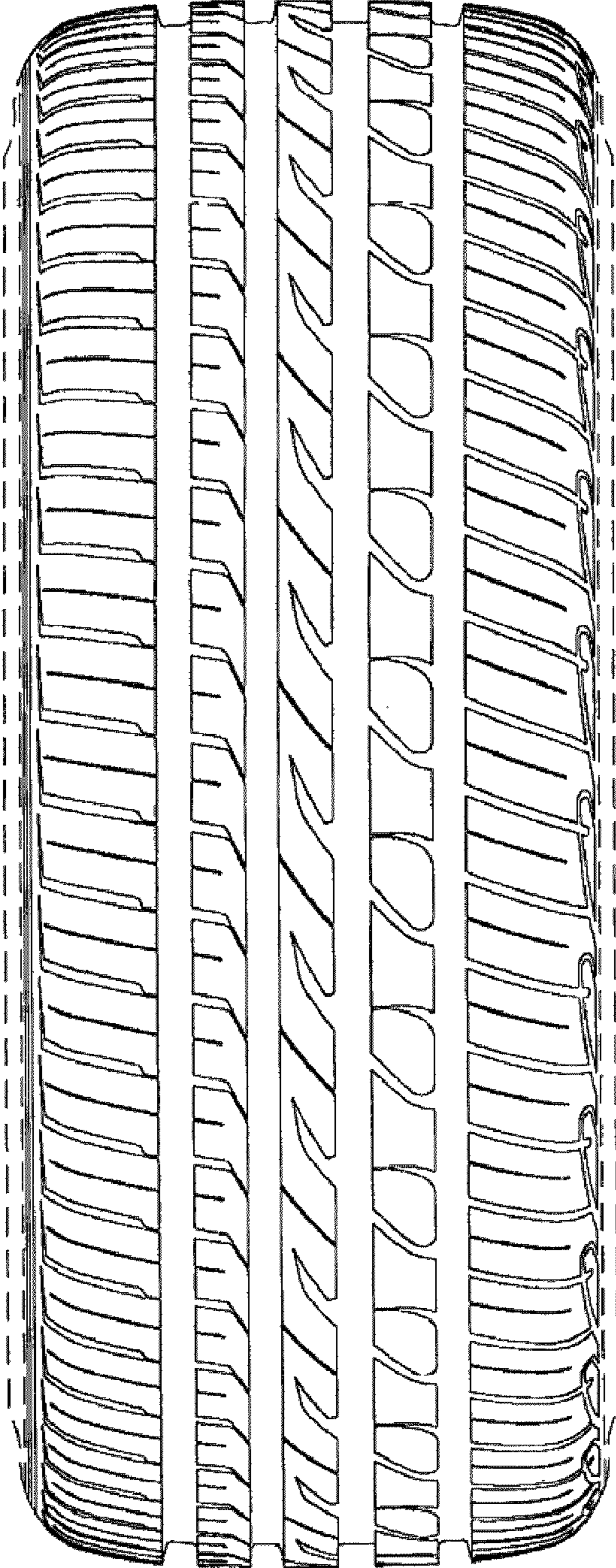


FIG.2

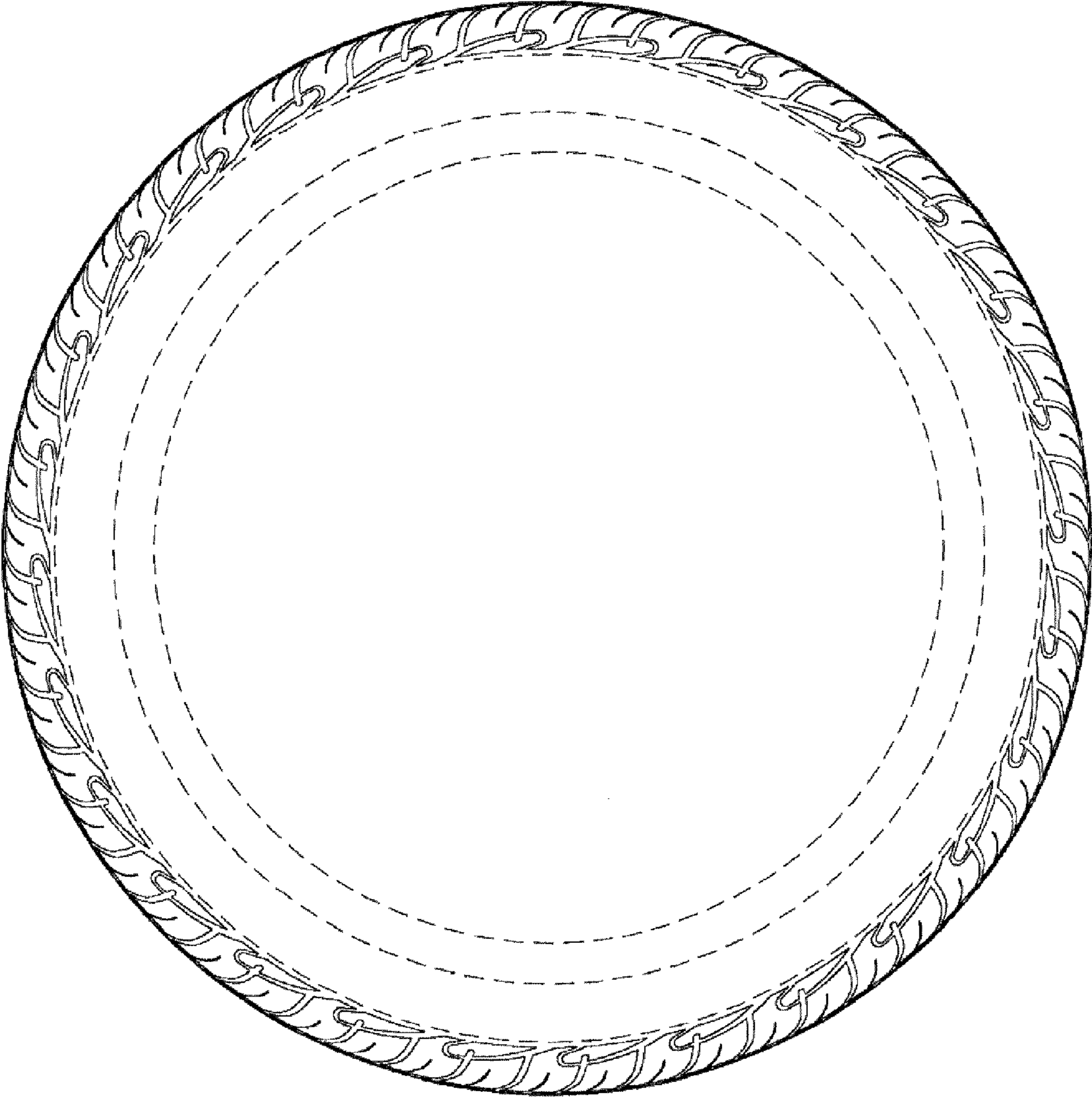


FIG.3

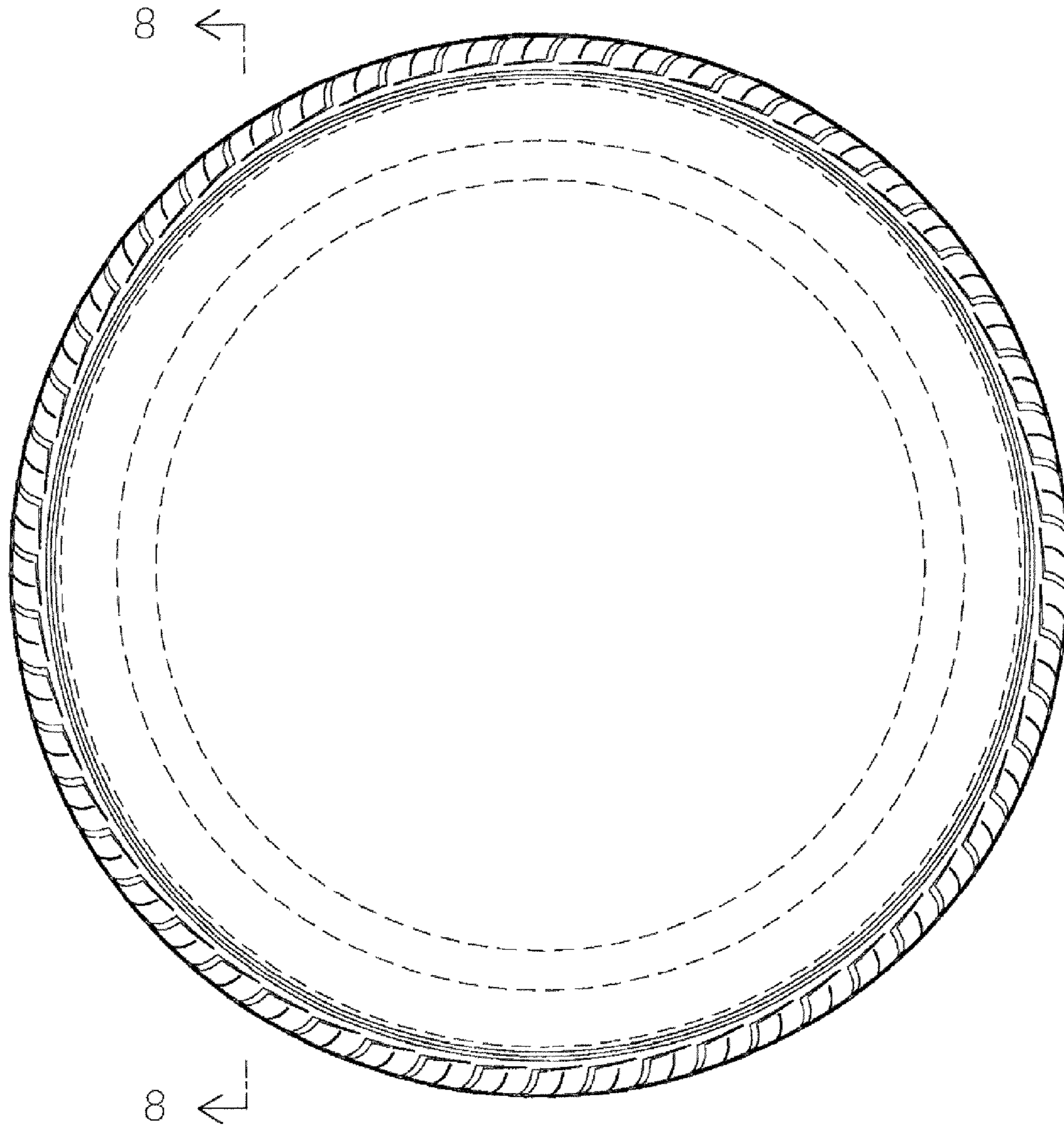


FIG.4

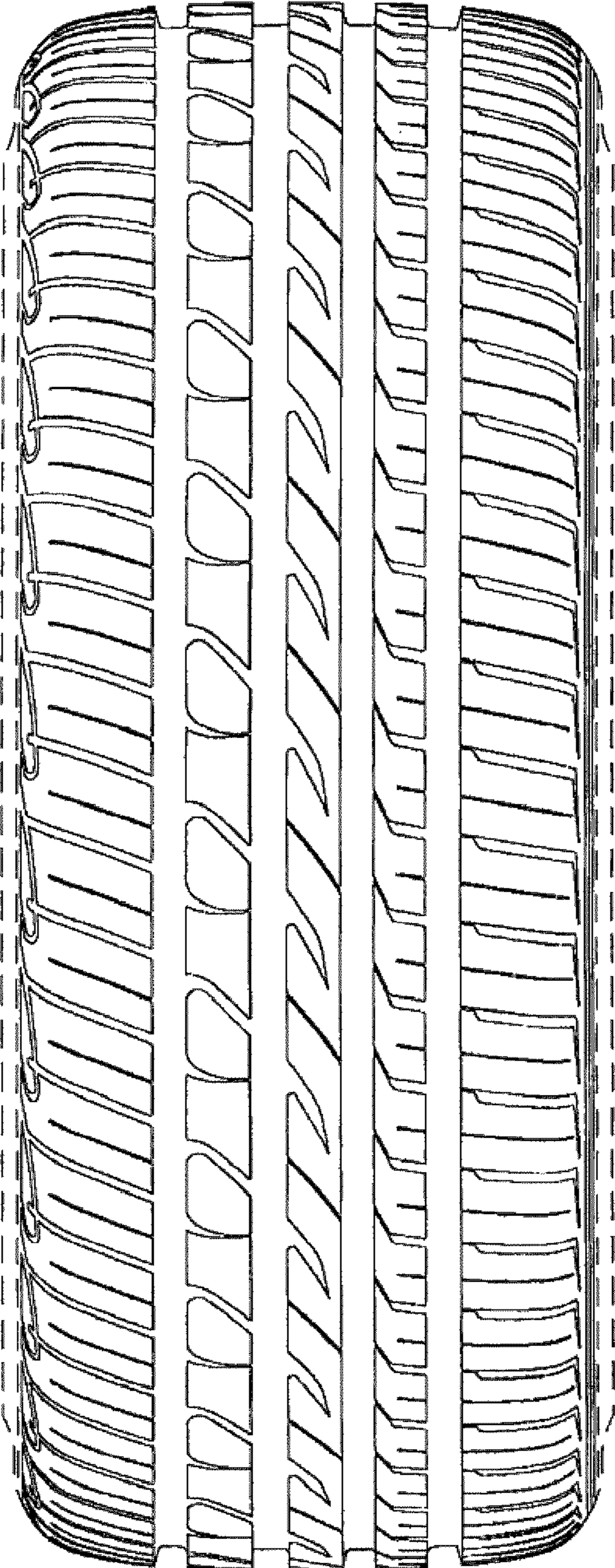


FIG.5

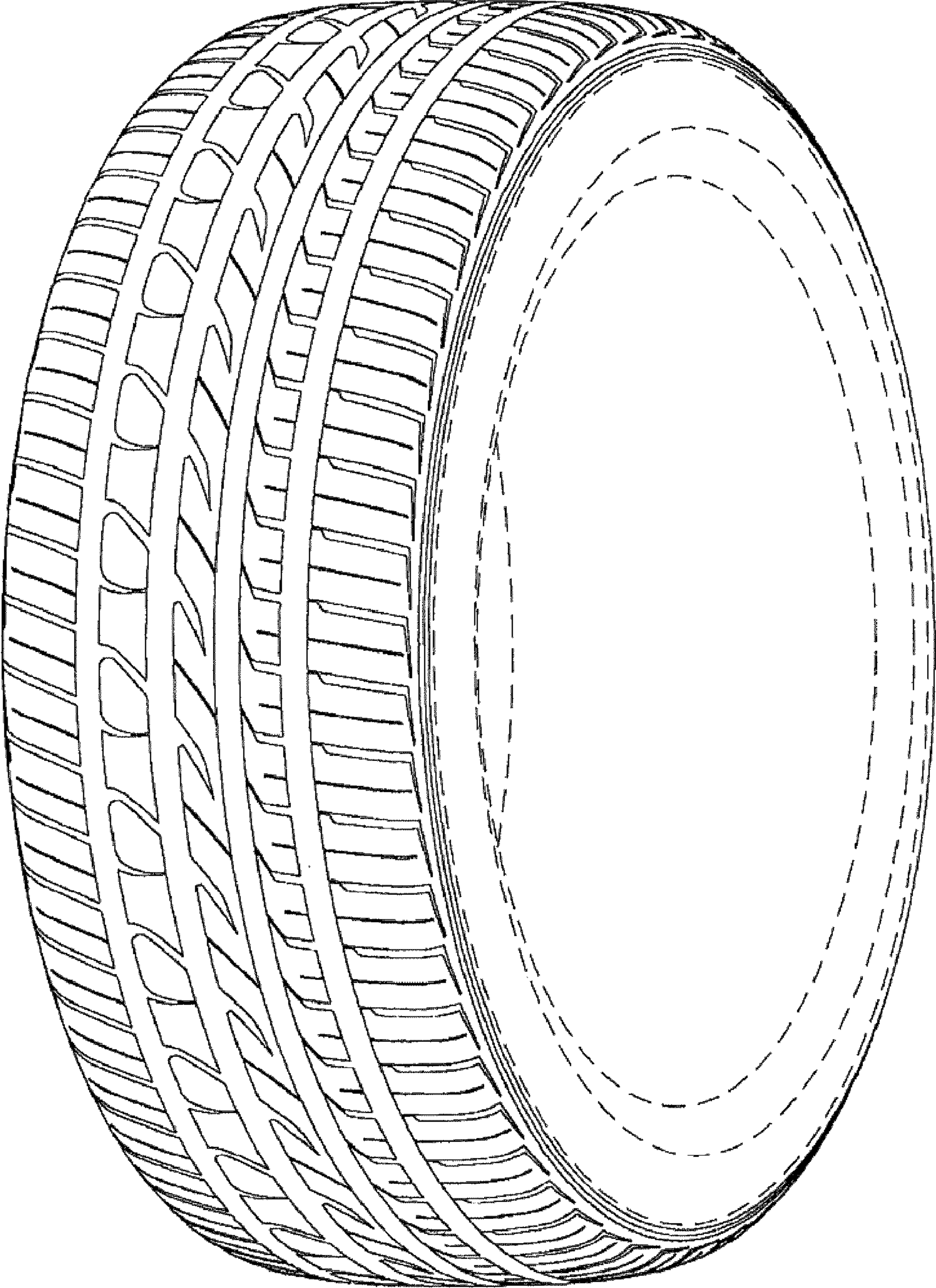


FIG.6

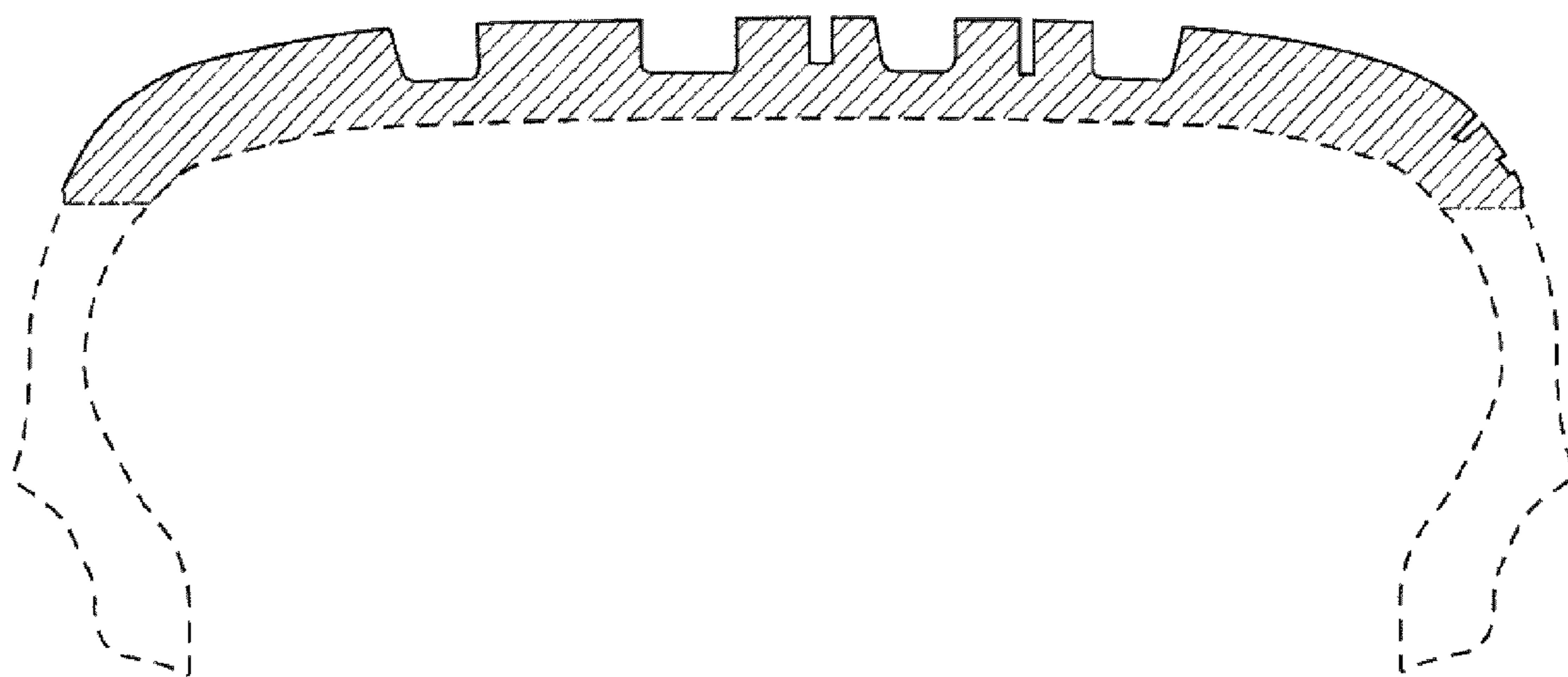


FIG.7

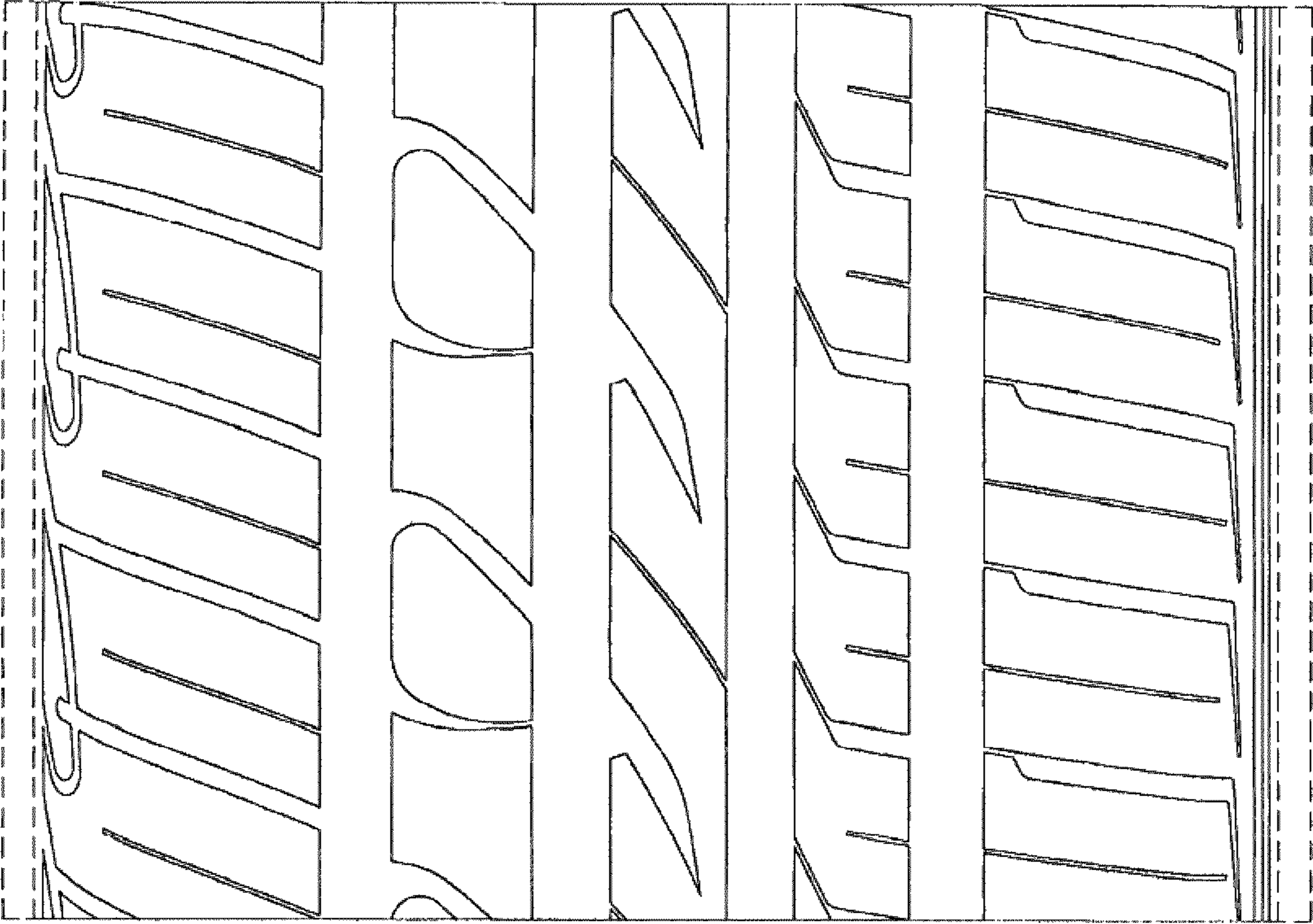


FIG.8