



US00D623584S

(12) **United States Design Patent**
Farber

(10) **Patent No.:** **US D623,584 S**

(45) **Date of Patent:** **** Sep. 14, 2010**

(54) **KAYAK CARRIER**

(75) Inventor: **Robert Farber**, Montreal (CA)

(73) Assignee: **Swiss Cargo Industries S.A. Inc.**, St. Jean, Quebec (CA)

(**) Term: **14 Years**

(21) Appl. No.: **29/353,239**

(22) Filed: **Jan. 5, 2010**

(51) **LOC (9) Cl.** **12-16**

(52) **U.S. Cl.** **D12/412**

(58) **Field of Classification Search** D12/401-414,
D12/414.1, 89-93, 16, 96-100; D21/433-434,
D21/548, 552, 559, 561; D25/38, 43; D6/552,
D6/513, 567; 135/88.01, 95; 150/165-167,
150/158; 160/32, 26; 280/770; 296/136.01,
296/190.08, 190.01-190.02, 114-116, 77.1,
296/100.01-100.06, 98; 248/687, 688; D8/71
See application file for complete search history.

(56) **References Cited**

U.S. PATENT DOCUMENTS

D497,873 S * 11/2004 Graber D12/407
D499,372 S * 12/2004 Andersson D12/414

D571,279 S * 6/2008 Trusty et al. D12/414
D598,689 S * 8/2009 McDonald D6/552
D605,577 S * 12/2009 Maguire D12/407
D605,578 S * 12/2009 Retief D12/411

* cited by examiner

Primary Examiner—Caron Veynar

Assistant Examiner—Katrina A Kile

(74) *Attorney, Agent, or Firm*—Husch Blackwell Sanders
Welsh & Katz

(57) **CLAIM**

The ornamental design for a kayak carrier, as shown and described.

DESCRIPTION

FIG. 1 is a perspective view of a kayak carrier showing the new design;

FIG. 2 is a side elevational view thereof;

FIG. 3 is an opposite side elevational view thereof;

FIG. 4 is a front elevational view thereof;

FIG. 5 is a rear elevational view thereof;

FIG. 6 is a top plan view thereof; and,

FIG. 7 is a bottom plan view thereof.

1 Claim, 4 Drawing Sheets

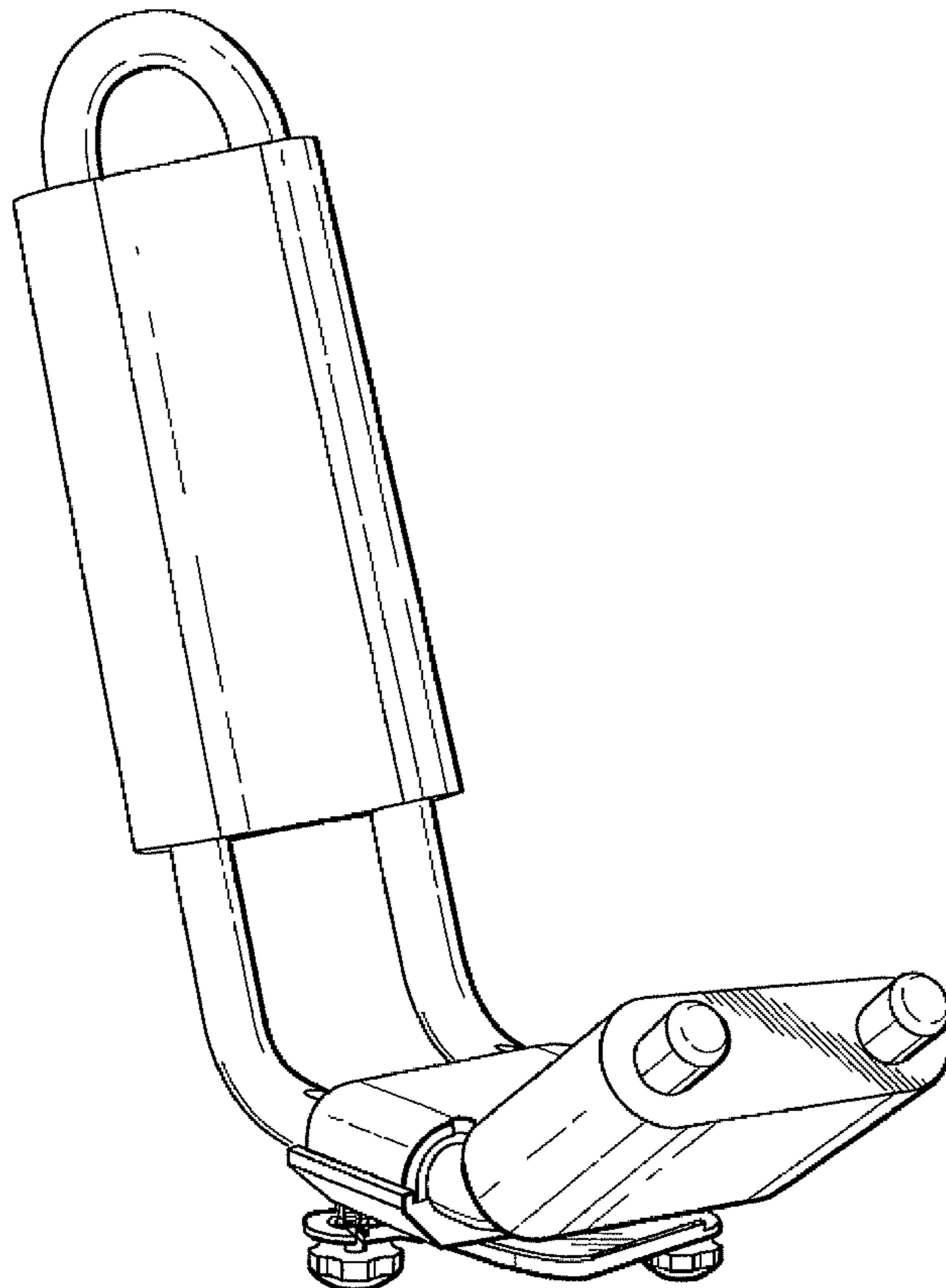


Fig. 1

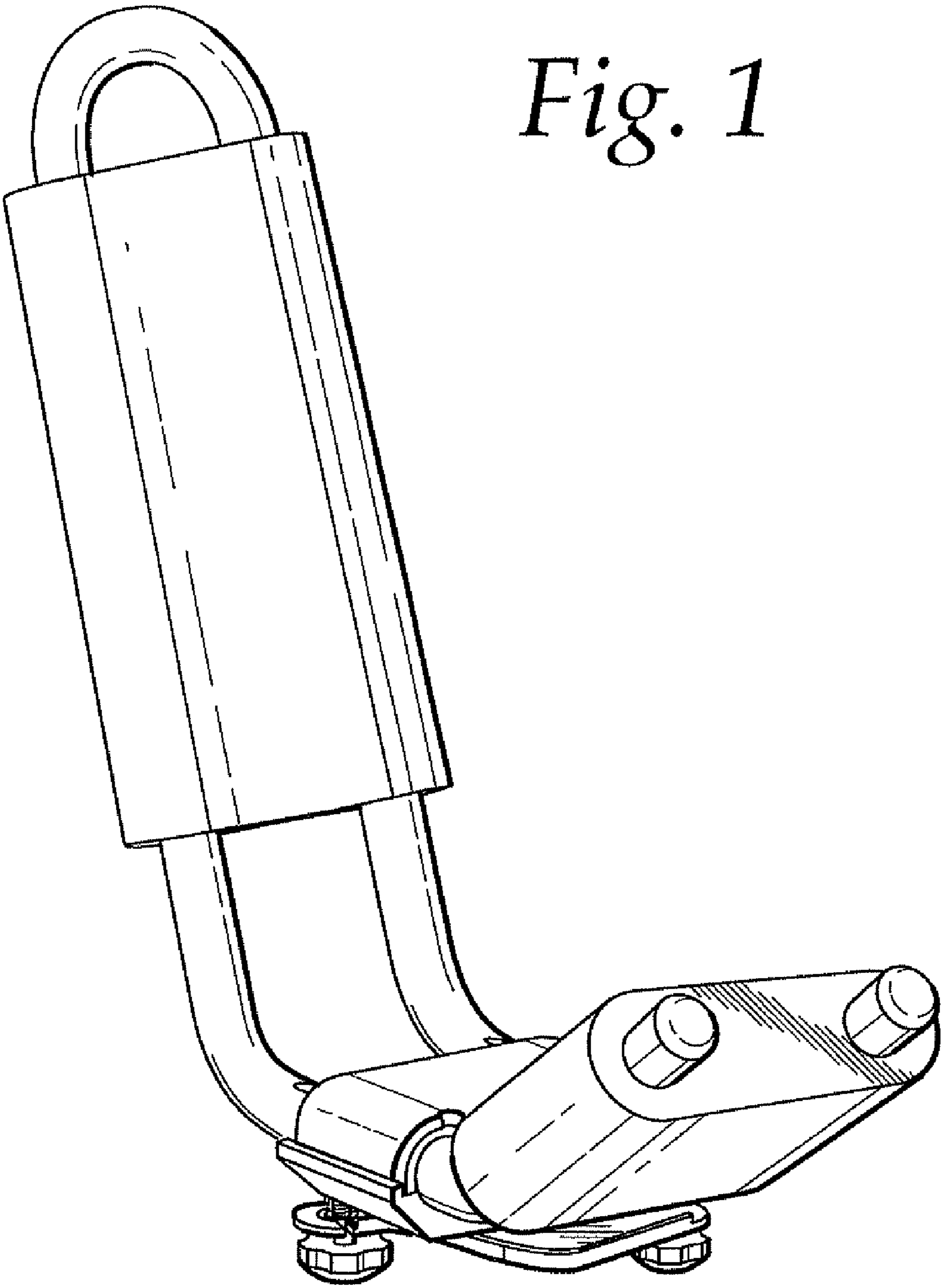


Fig. 2

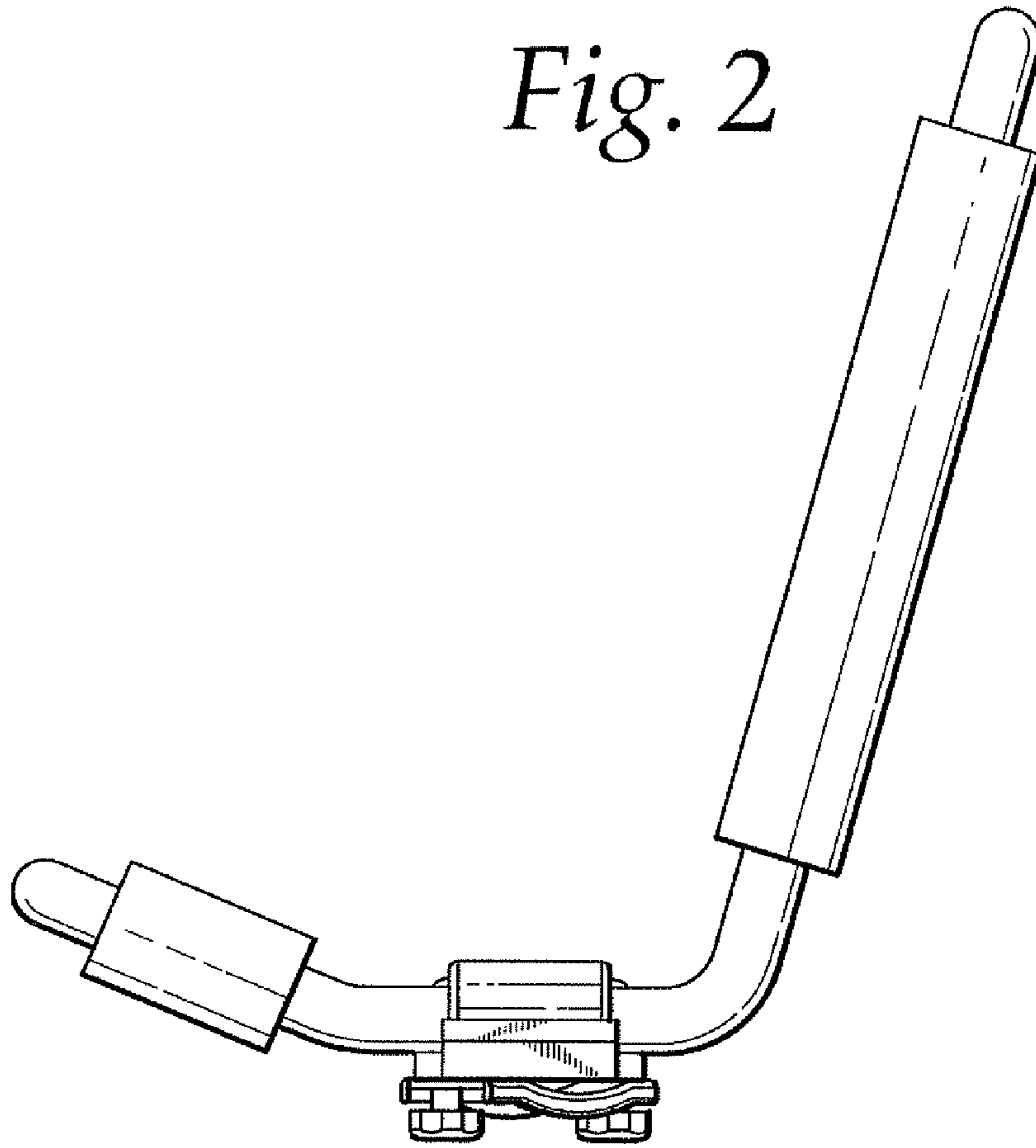


Fig. 3

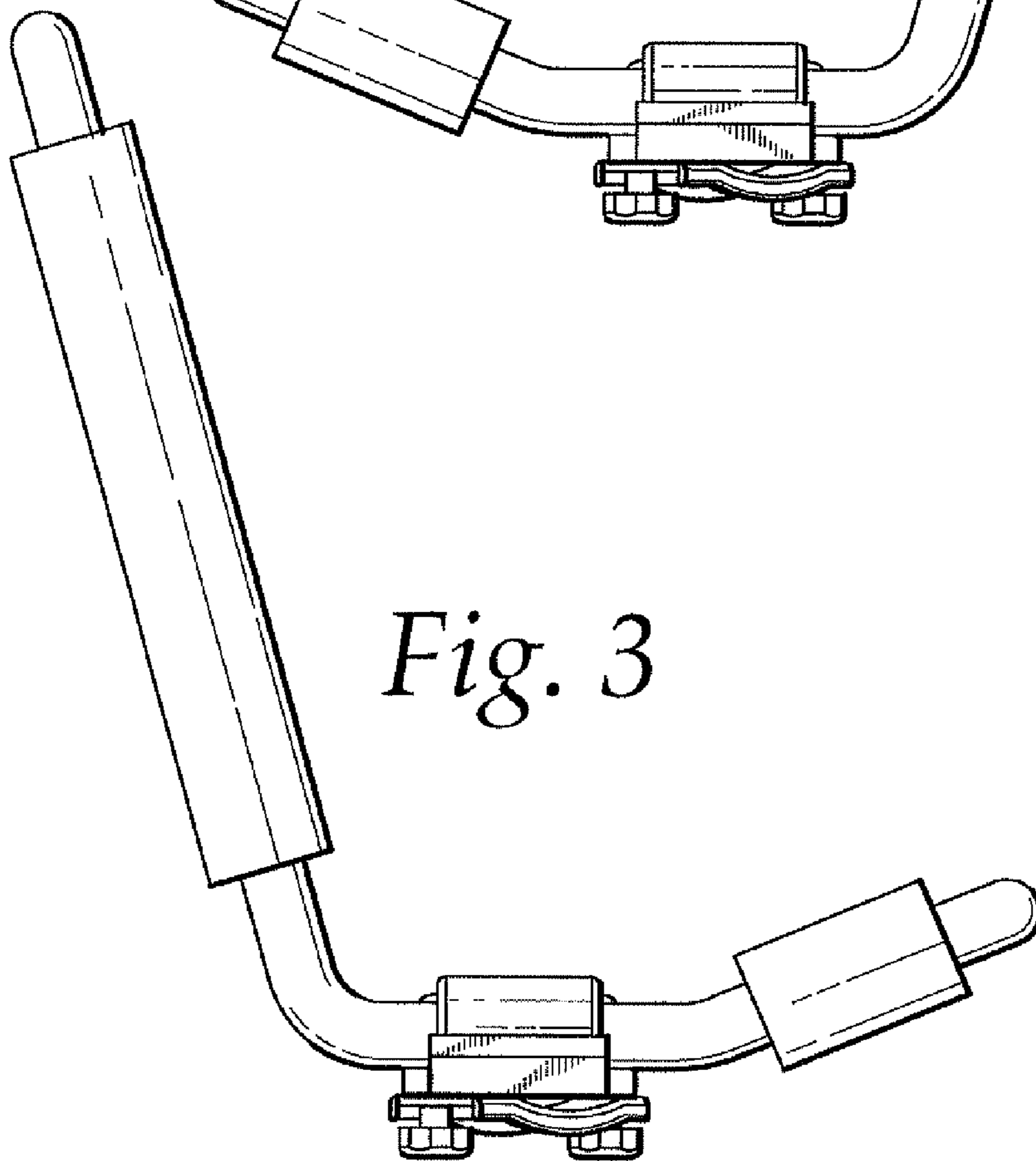


Fig. 4

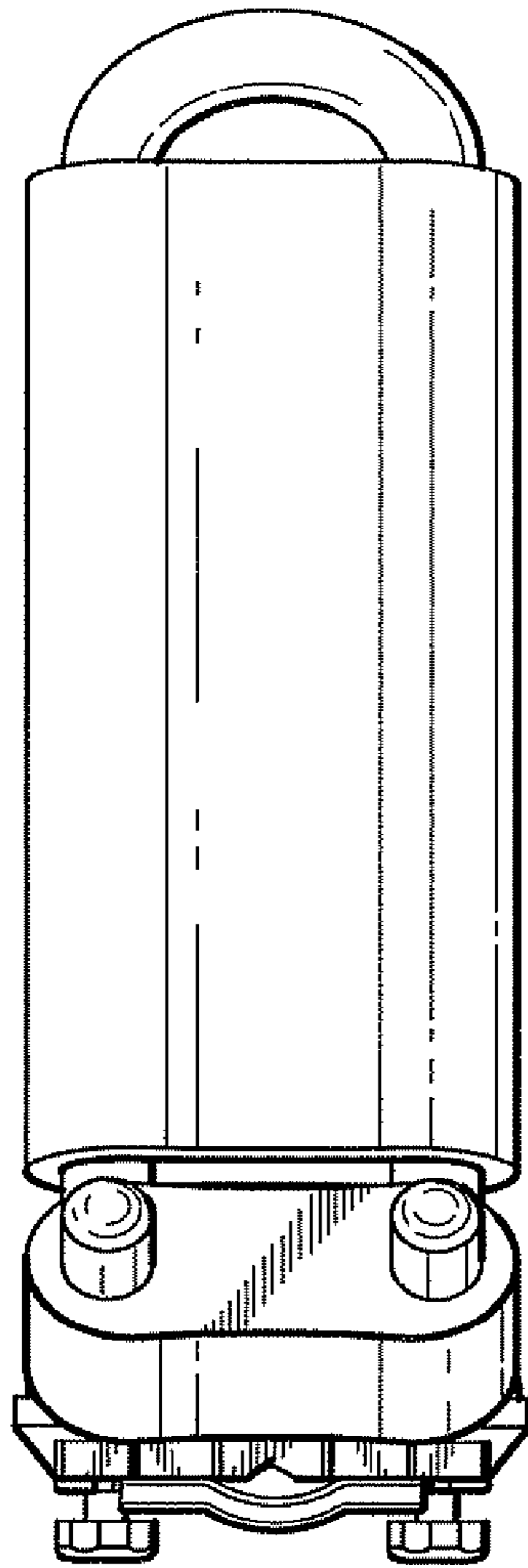


Fig. 5

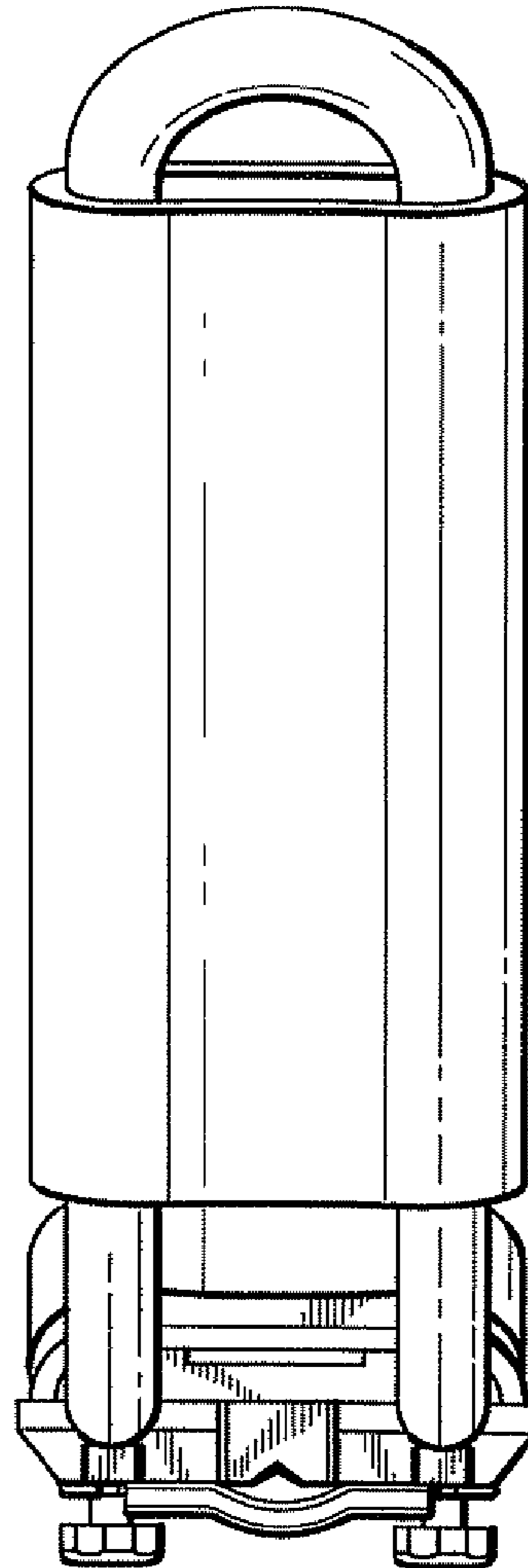


Fig. 6

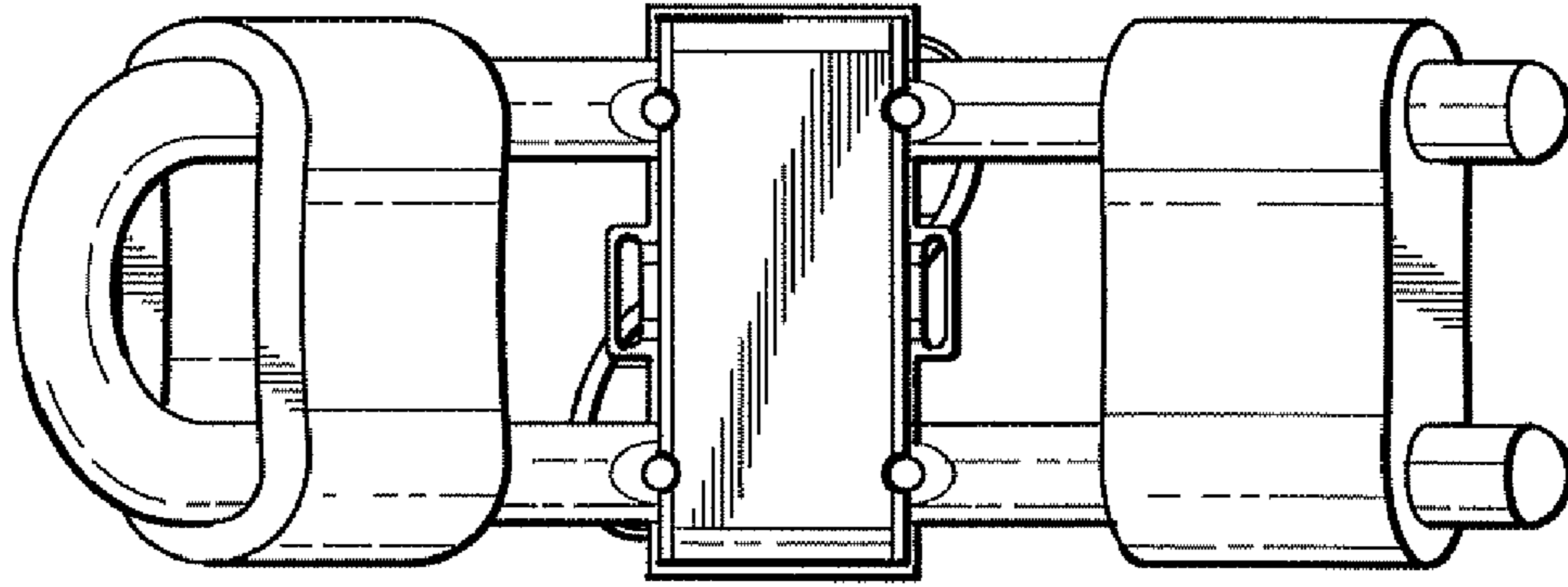


Fig. 7

