



US00D623582S

(12) **United States Design Patent**  
**Smith**

(10) **Patent No.:** **US D623,582 S**

(45) **Date of Patent:** **\*\* Sep. 14, 2010**

(54) **CAR SAVER ENCLOSURE**

(76) Inventor: **Richard J Smith**, 1442 Broadway,  
Raynham, MA (US) 02767

(\*\*) Term: **14 Years**

(21) Appl. No.: **29/313,835**

(22) Filed: **Feb. 17, 2009**

(51) **LOC (9) Cl.** ..... **12-16**

(52) **U.S. Cl.** ..... **D12/401**

(58) **Field of Classification Search** ..... D12/401-405;  
160/370.21, 370.22; 180/370.23; 280/770;  
150/165-167; 296/136.01, 95.1, 84.1, 77.1;  
224/328; 135/88.01, 88.1, 91, 93, 95  
See application file for complete search history.

(56) **References Cited**

**U.S. PATENT DOCUMENTS**

2,679,254	A *	5/1954	Green	.....	135/88.05
3,006,519	A *	10/1961	Doane	.....	224/328
D244,016	S *	4/1977	Waldman	.....	D12/404
D299,223	S *	1/1989	Galvin	.....	D12/404
D368,064	S *	3/1996	Speece	.....	D12/404
6,892,912	B1 *	5/2005	MacNeil	.....	224/318

2004/0074530 A1\* 4/2004 Page ..... 135/93  
2009/0114259 A1\* 5/2009 Habing ..... 135/95

\* cited by examiner

*Primary Examiner*—Caron Veynar

*Assistant Examiner*—Katrina A Kile

(74) *Attorney, Agent, or Firm*—Paul R. Martin

(57) **CLAIM**

The ornamental design for a car saver enclosure, as shown and described.

**DESCRIPTION**

FIG. 1 is a perspective view of the car saver enclosure showing my new design.

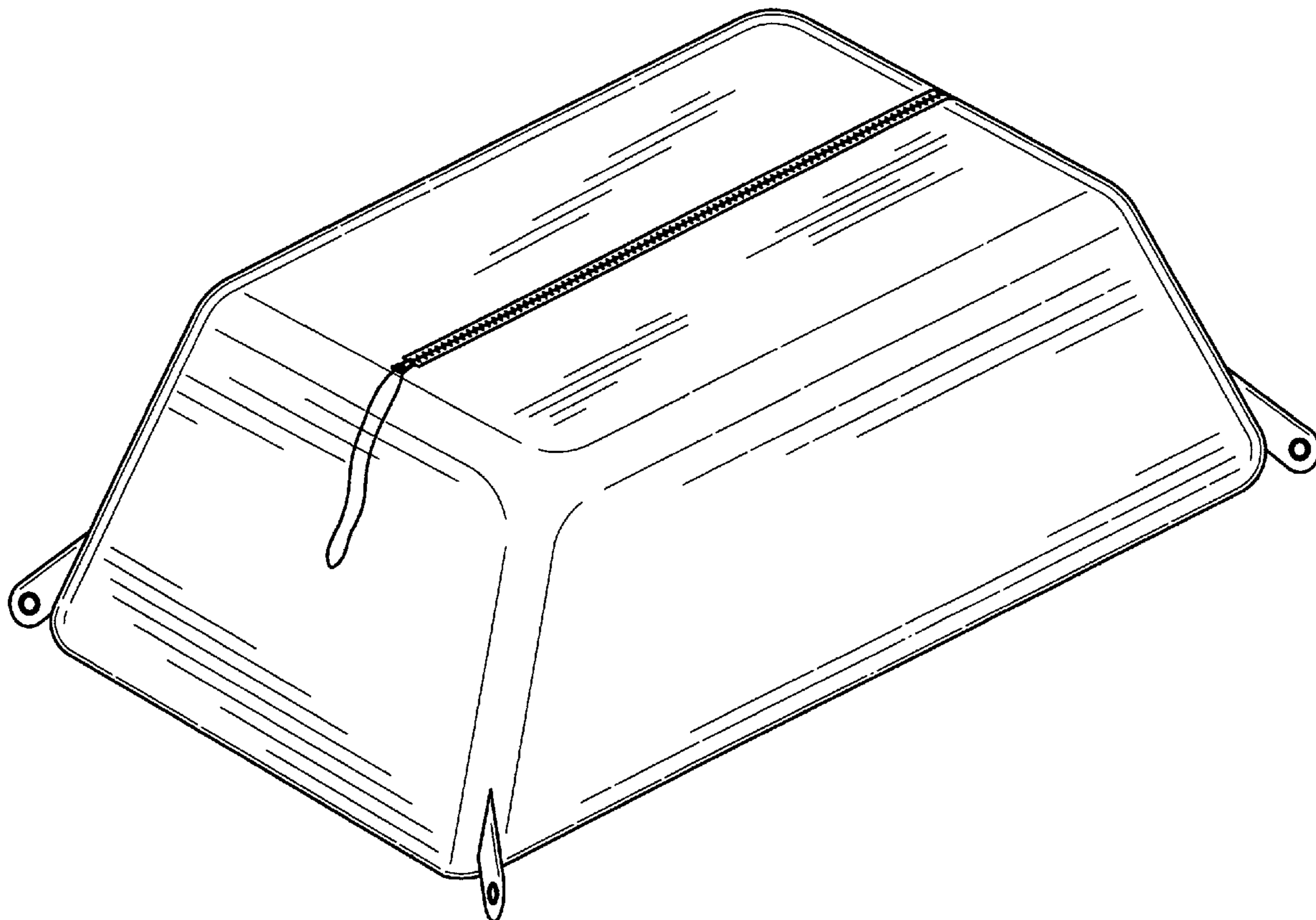
FIG. 2 is a top plan view of the car saver enclosure shown in FIG. 1.

FIG. 3 is a side elevational view of the car saver enclosure shown in FIG. 1.

FIG. 4 is a back elevational view of the car saver enclosure shown in FIG. 1; and,

FIG. 5 is a front elevational view of the car saver enclosure shown in FIG. 1.

**1 Claim, 4 Drawing Sheets**



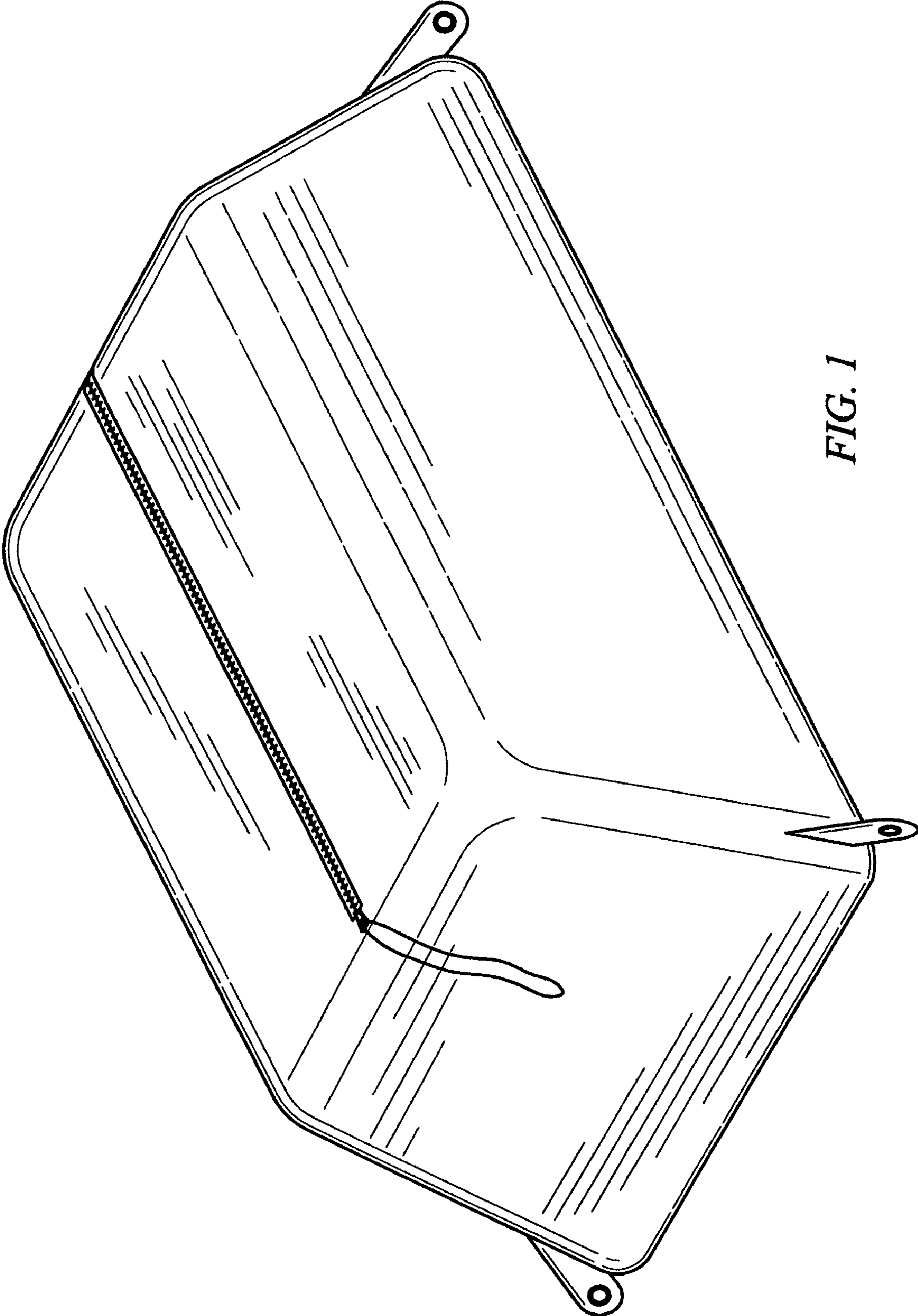


FIG. 1

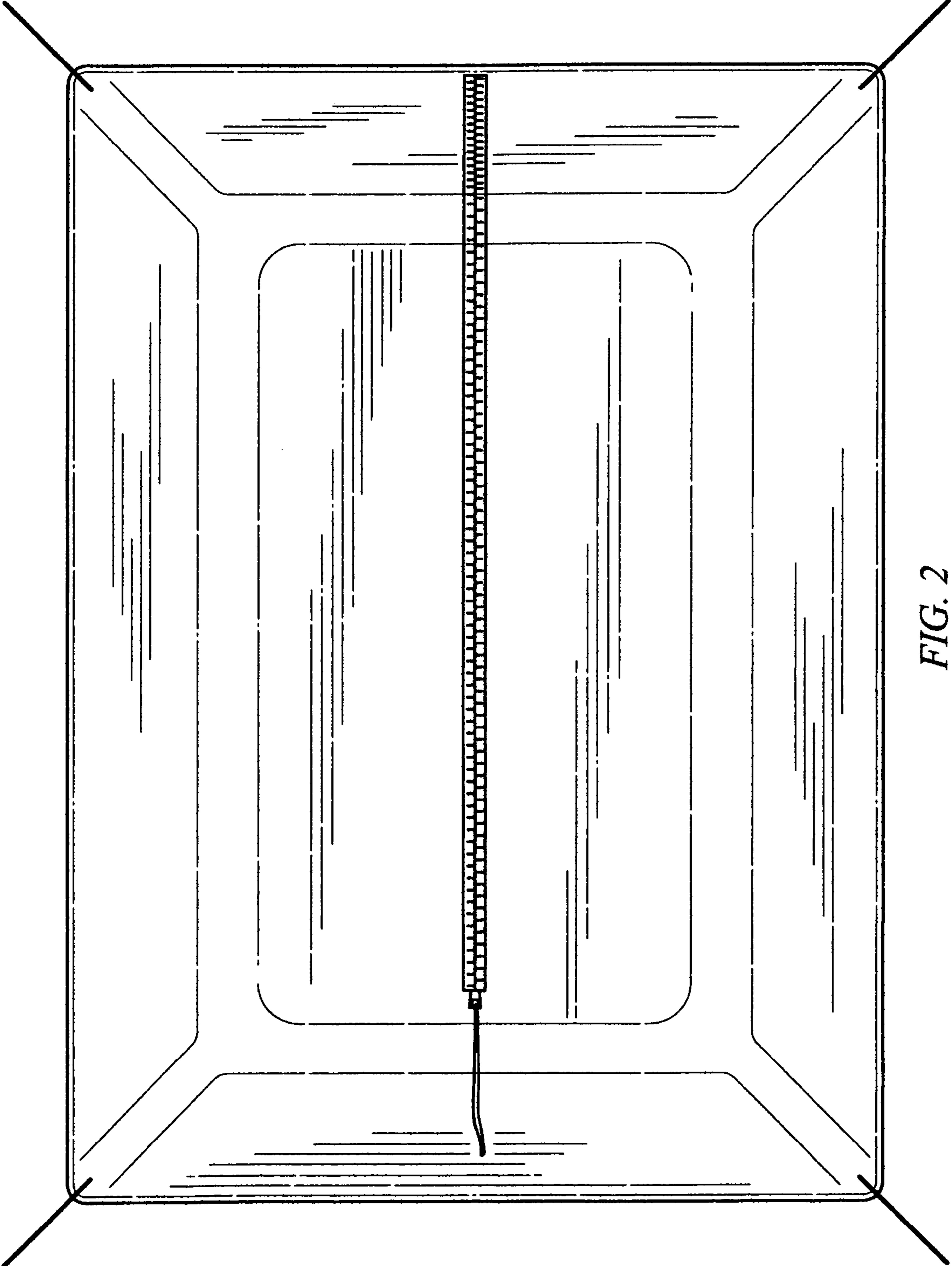


FIG. 2

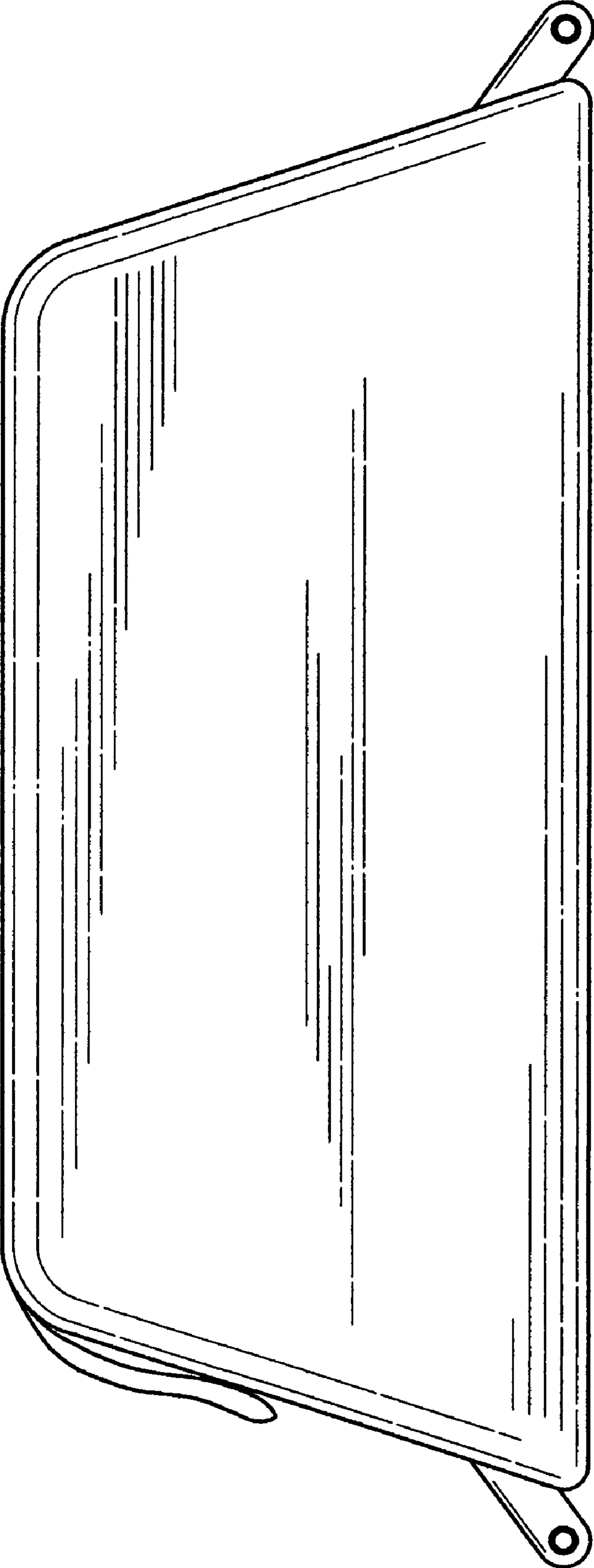


FIG. 3

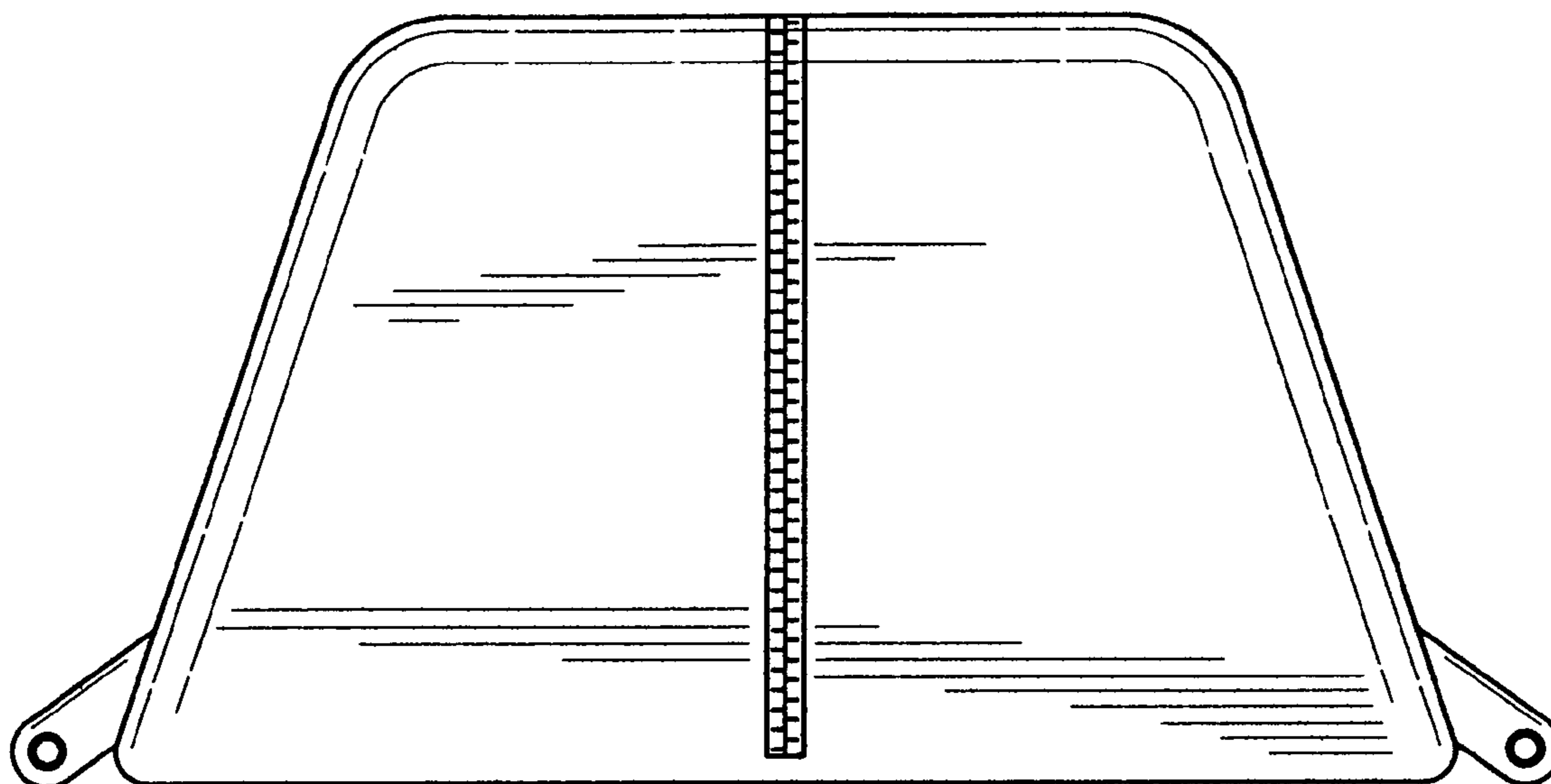


FIG. 4

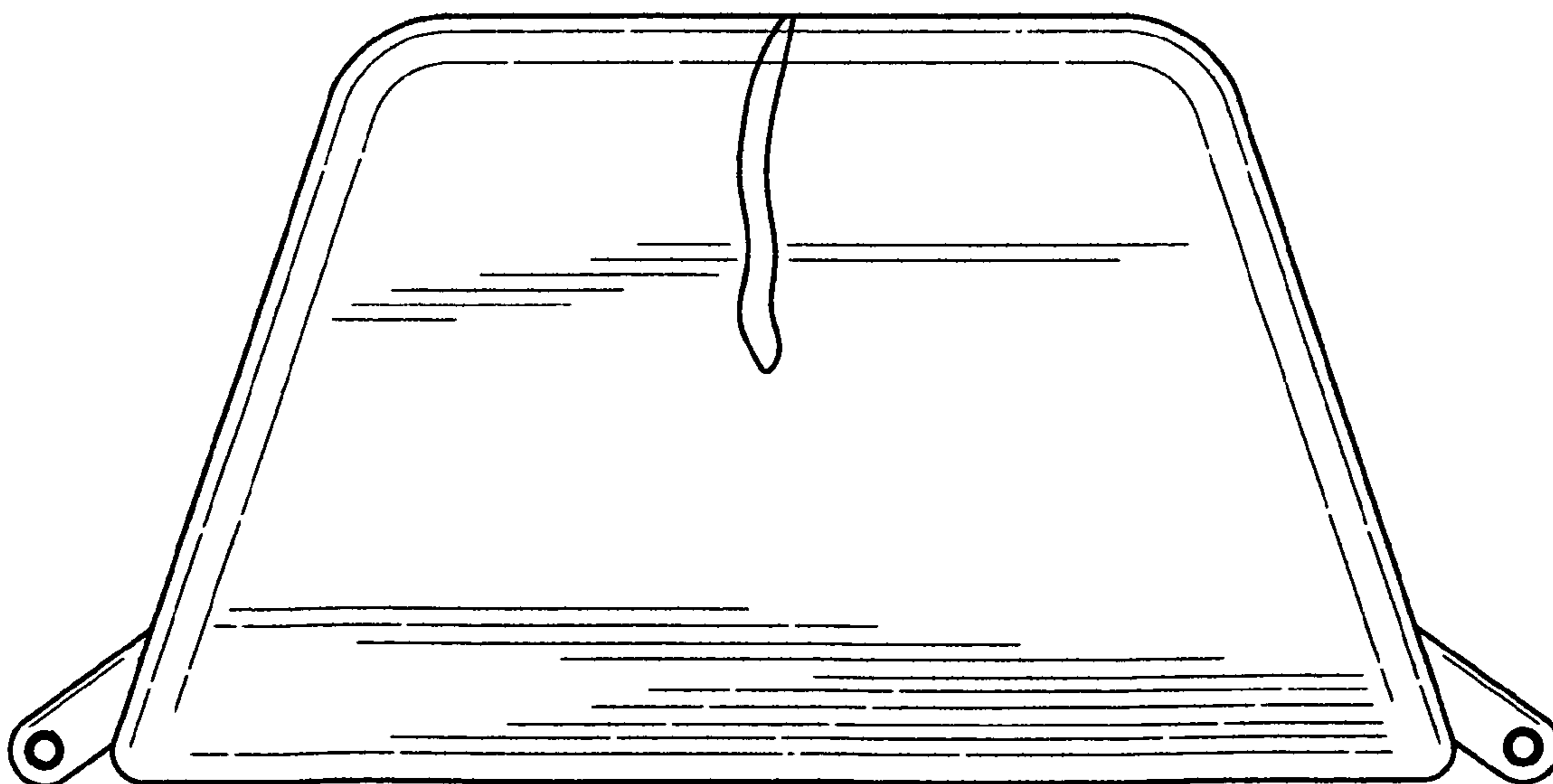


FIG. 5