



US00D623579S

(12) **United States Design Patent**
Masson

(10) **Patent No.:** **US D623,579 S**

(45) **Date of Patent:** **** Sep. 14, 2010**

(54) **CONNECTING ROD**

(75) Inventor: **Richard Masson**, Buc (FR)

(73) Assignee: **Messier-Dowty SA**, Velizy Villacoublay (FR)

(**) Term: **14 Years**

(21) Appl. No.: **29/343,801**

(22) Filed: **Sep. 18, 2009**

(30) **Foreign Application Priority Data**

Mar. 19, 2009 (EM) 001108641-0001

(51) **LOC (9) Cl.** **12-07**

(52) **U.S. Cl.** **D12/345**

(58) **Field of Classification Search** D12/345;
D15/5; 74/579 R; 123/197.3; D3/207-212
See application file for complete search history.

(56) **References Cited**

U.S. PATENT DOCUMENTS

D416,131 S * 11/1999 Dafski D3/211
6,282,983 B1 * 9/2001 Evans 74/579 E
6,502,480 B1 * 1/2003 Walker et al. 74/579 E

7,155,791 B1 * 1/2007 Foster 29/239
7,418,886 B2 * 9/2008 Kubota et al. 74/593
7,574,795 B2 * 8/2009 Ishida et al. 29/888.092

* cited by examiner

Primary Examiner—Robert M. Spear

Assistant Examiner—Maurice Stevens

(74) *Attorney, Agent, or Firm*—Muncy, Geissler, Olds & Lowe, PLLC

(57) **CLAIM**

The ornamental design for a connecting rod, as shown and described.

DESCRIPTION

FIG. 1 is a front, right and top perspective view of a connecting rod showing my new design;

FIG. 2 is a front elevational view of the connecting rod;

FIG. 3 is a right side view of the connecting rod;

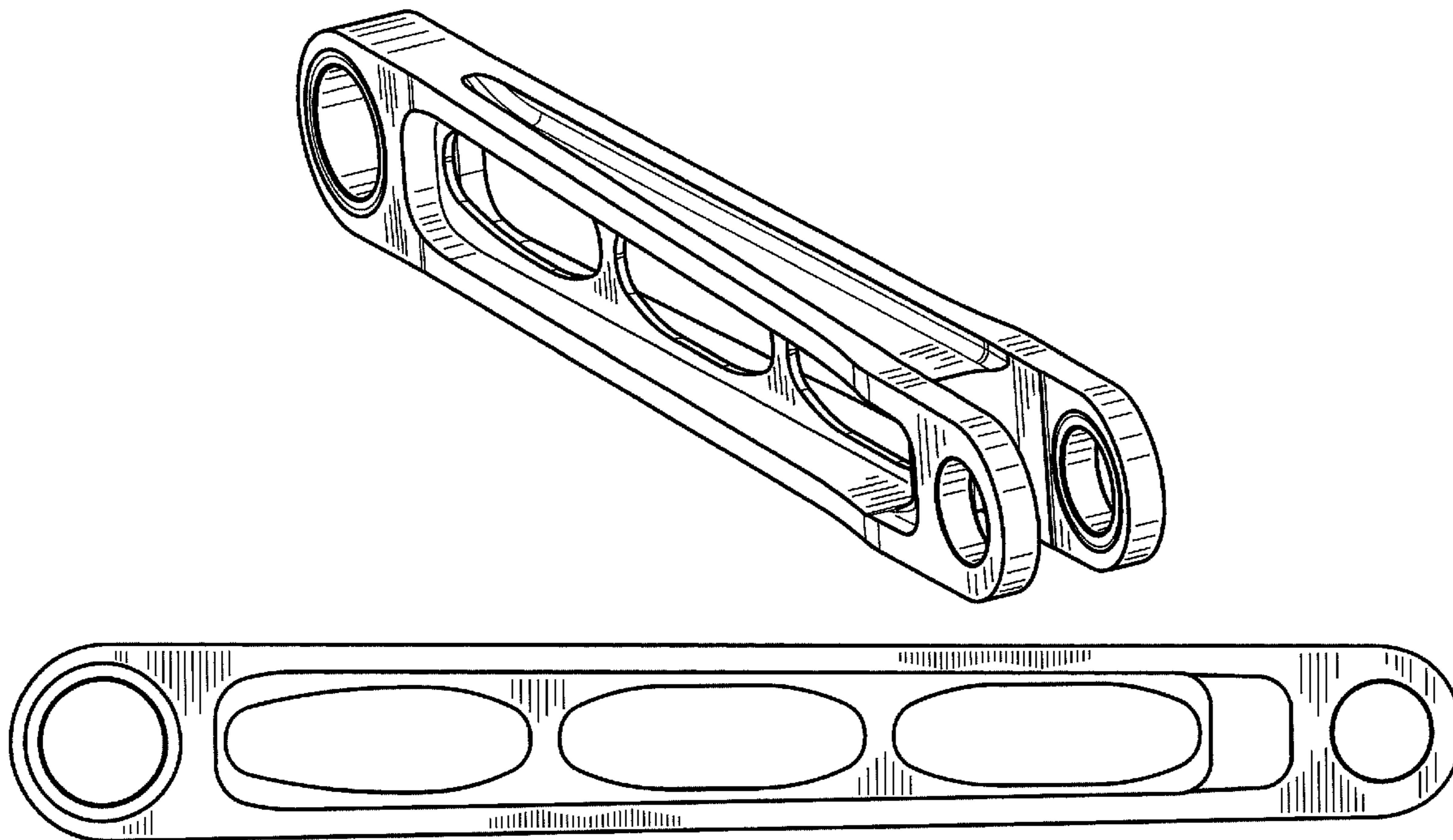
FIG. 4 is a left side view of the connecting rod;

FIG. 5 is a top view of the connecting rod;

FIG. 6 is a bottom view of the connecting rod; and,

FIG. 7 is a rear elevational view of the connecting rod.

1 Claim, 3 Drawing Sheets



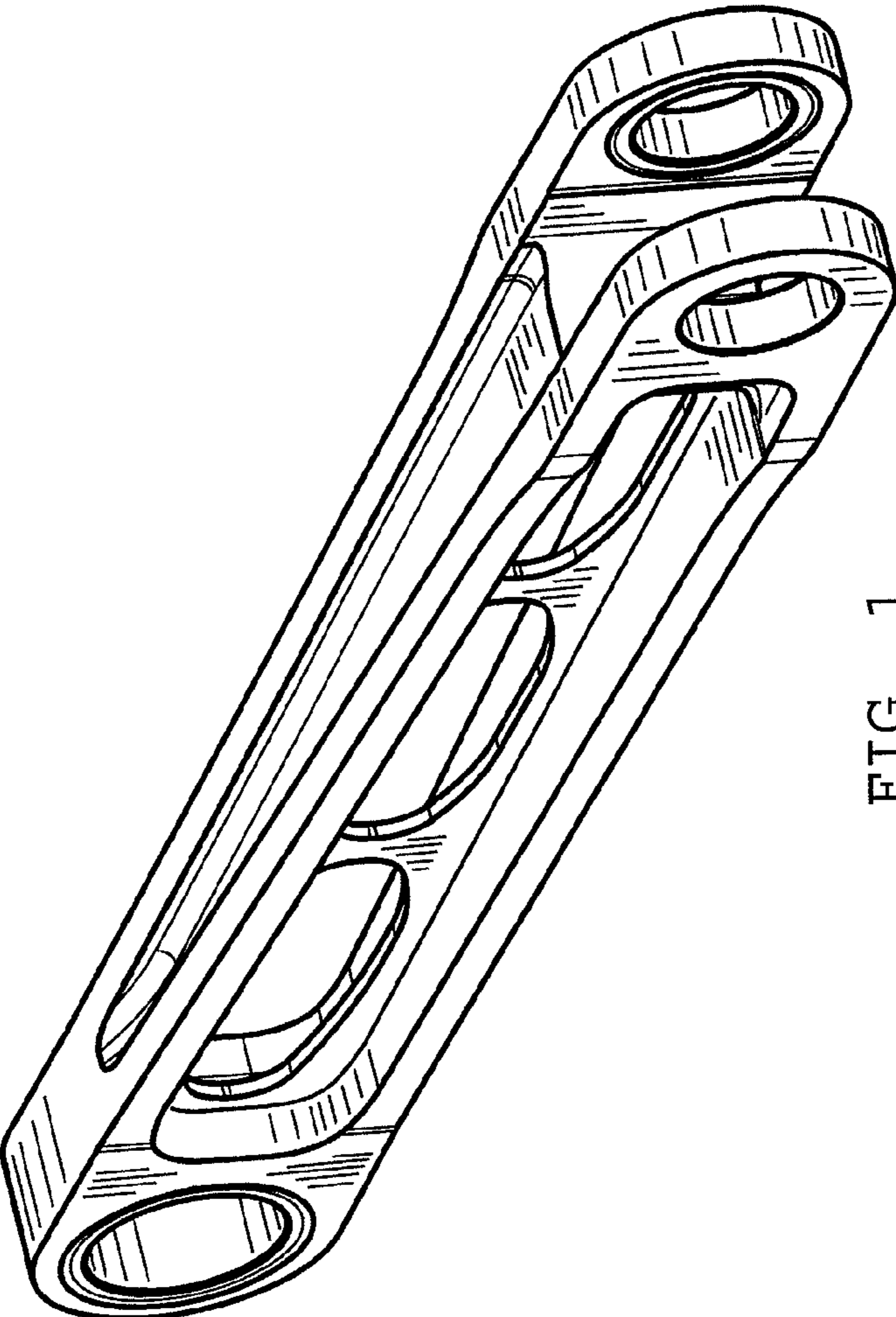


FIG. 1

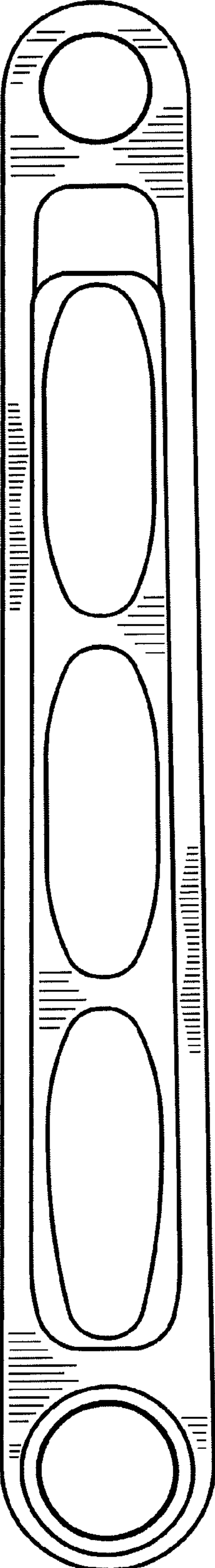


FIG. 2

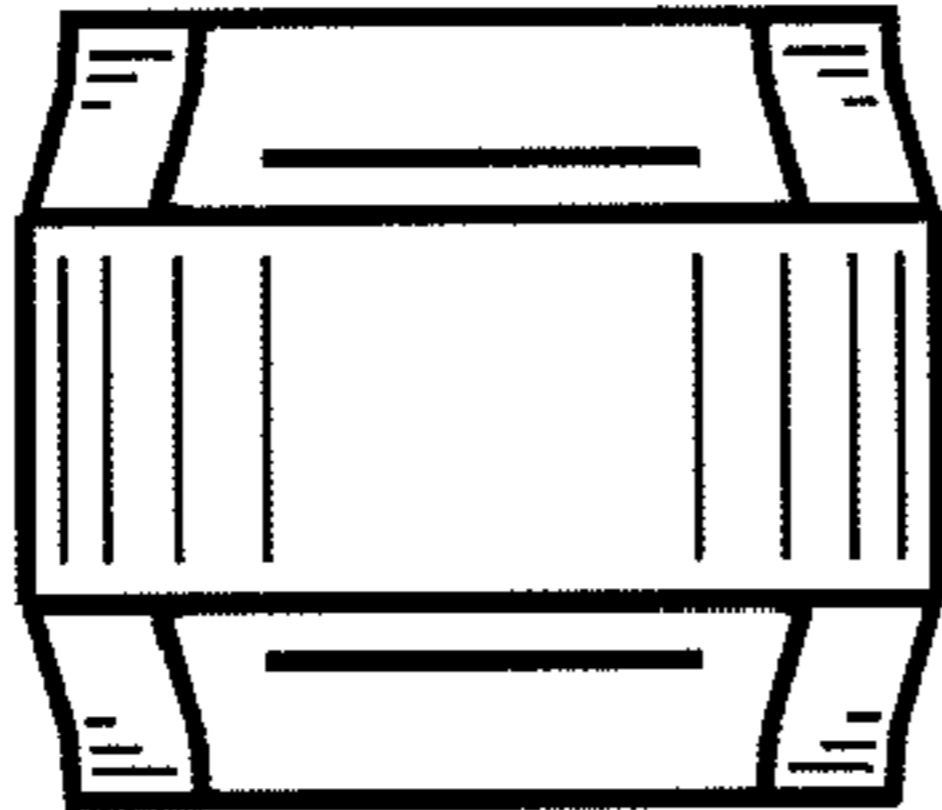


FIG. 3

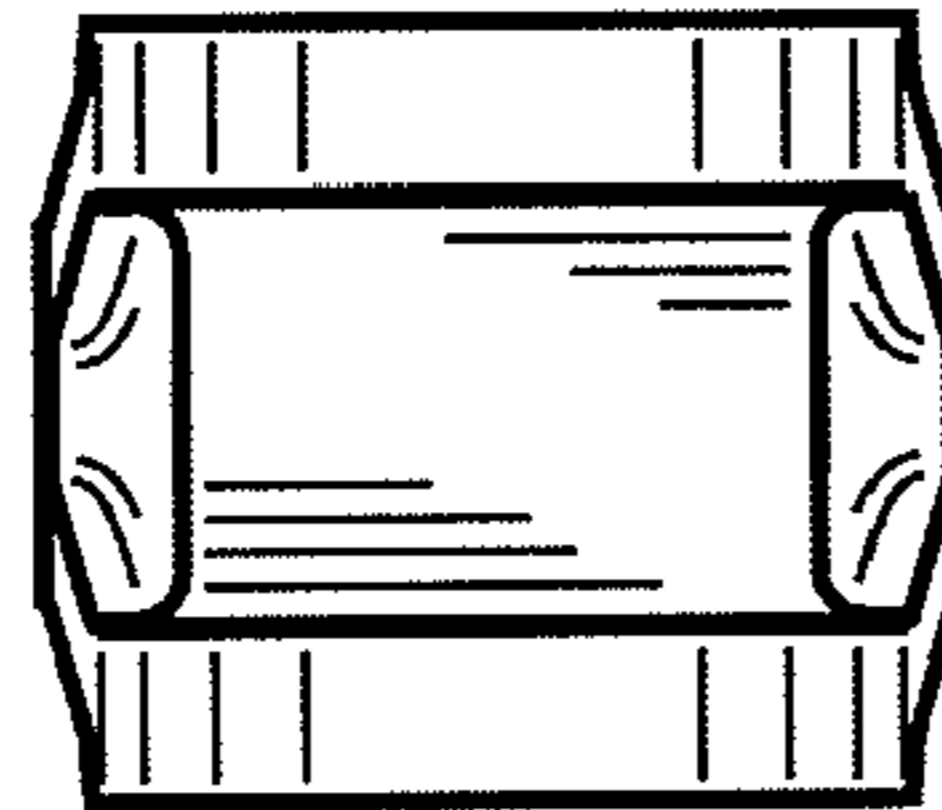


FIG. 4

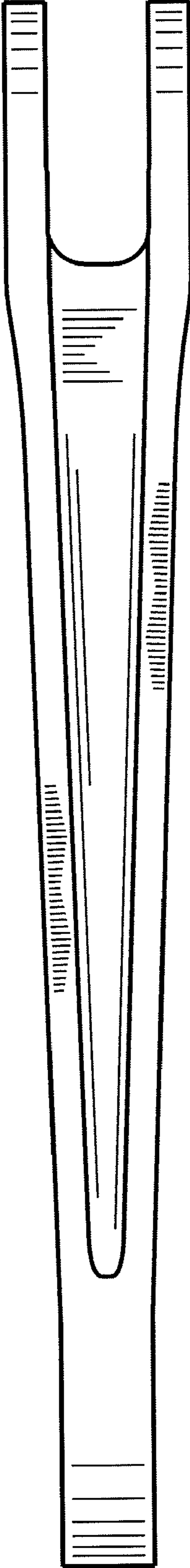


FIG. 5

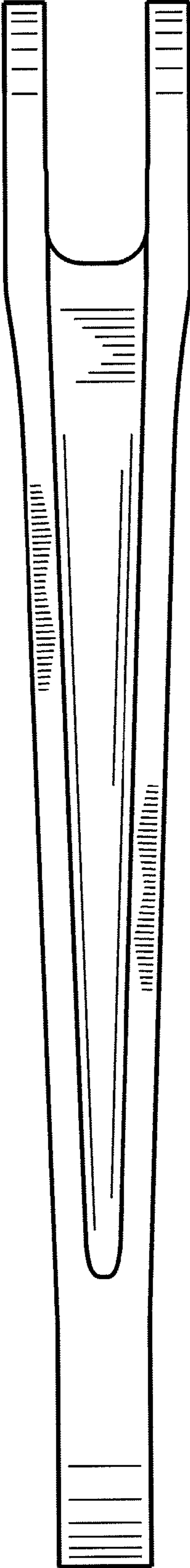


FIG. 6

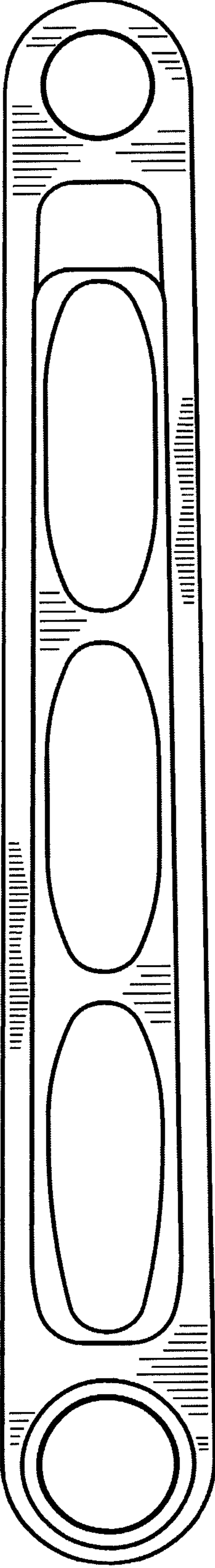


FIG. 7