



US00D623578S

(12) **United States Design Patent**
Orson et al.

(10) **Patent No.:** **US D623,578 S**

(45) **Date of Patent:** **** Sep. 14, 2010**

(54) **AIRCRAFT SEAT**

(75) Inventors: **Ben Orson**, London (GB); **James Park**,
London (GB); **Alex Duncan**, London
(GB); **Tim Manson**, London (GB)

(73) Assignee: **Japan Airlines International Co., Ltd.**,
Tokyo (JP)

(**) Term: **14 Years**

(21) Appl. No.: **29/309,595**

(22) Filed: **Sep. 9, 2008**

(30) **Foreign Application Priority Data**

Mar. 19, 2008 (JP) D2008-006847

(51) **LOC (9) Cl.** **12-07**

(52) **U.S. Cl.** **D12/345**

(58) **Field of Classification Search** D12/345,
D12/423, 44, 42, 319, 414.1, 415, 416, 421,
D12/424, 426, 426.1, 419; D6/356, 511,
D6/332, 336, 337, 338, 492; 224/29.5, 405;
296/146.16, 24.34; 244/118.1, 118.5, 118.6,
244/119, 122 AH

See application file for complete search history.

(56) **References Cited**

U.S. PATENT DOCUMENTS

D249,609 S * 9/1978 Kramer D6/421
D257,601 S * 12/1980 Cyplik D6/332
D304,529 S * 11/1989 Hontz D6/421

D421,948 S * 3/2000 Dryburgh et al. D12/195
D439,063 S * 3/2001 Round et al. D6/356
D439,425 S * 3/2001 Park et al. D6/356
6,209,956 B1 * 4/2001 Dryburgh et al. 297/245
D452,559 S * 12/2001 Schonberger et al. D23/406
D458,041 S * 6/2002 Couture et al. D6/332
D510,816 S * 10/2005 Lee D6/356
D558,993 S * 1/2008 Saint-Jalmes et al. D6/357

* cited by examiner

Primary Examiner—Cathron C Brooks

Assistant Examiner—Kevin K Rudzinski

(74) *Attorney, Agent, or Firm*—Rader, Fishman & Grauer
PLLC

(57) **CLAIM**

The ornamental design for an aircraft seat, as shown and
described.

DESCRIPTION

FIG. 1 is a perspective view of an aircraft seat showing our
new design;

FIG. 2 is a front elevational view thereof;

FIG. 3 is a rear elevational view thereof;

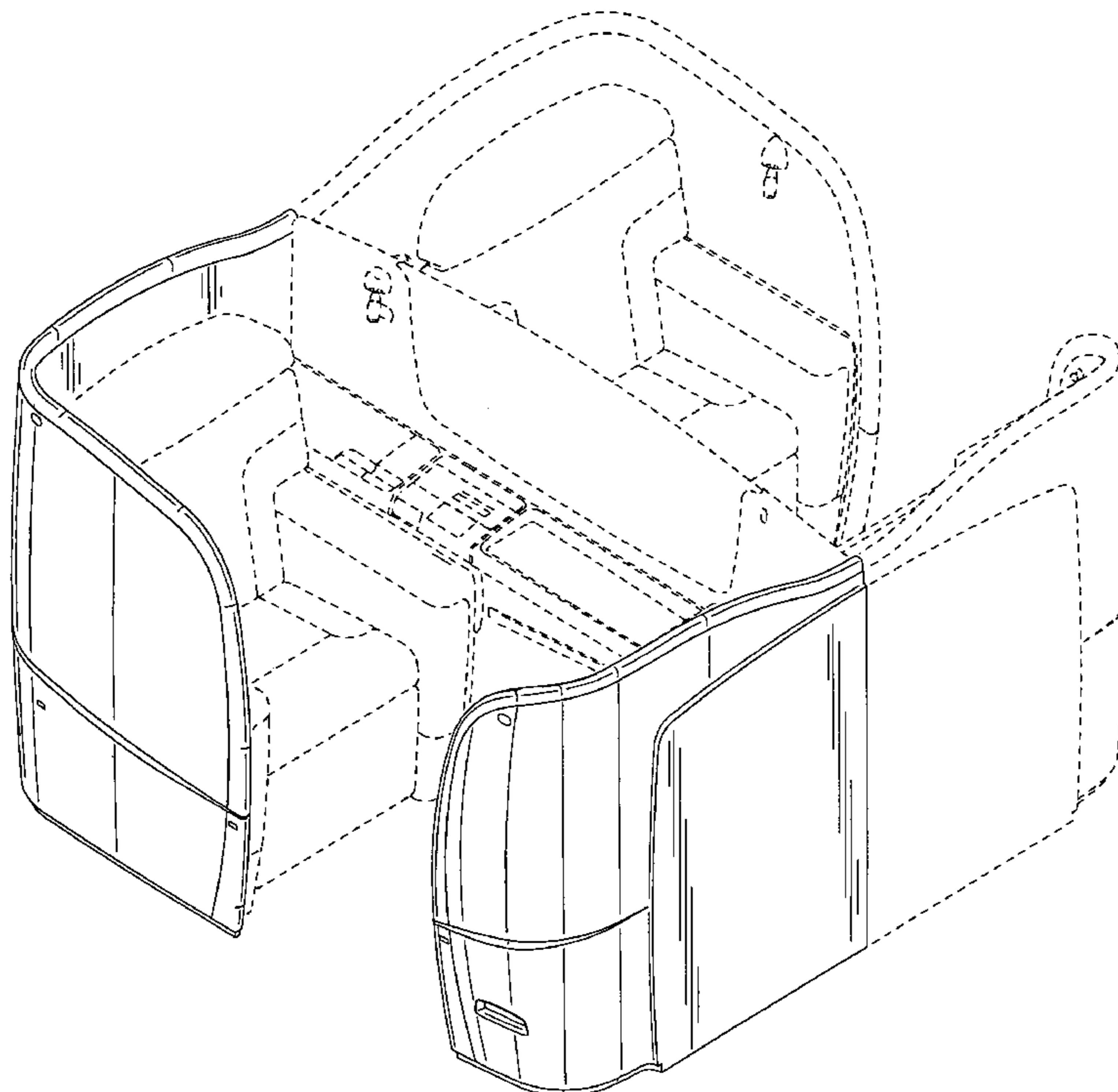
FIG. 4 is a left side elevational view thereof;

FIG. 5 is a top plan view thereof; and,

FIG. 6 is a bottom plan view thereof.

The portions indicated in broken lines are for illustrative
purposes only and form no part of the claimed design.

1 Claim, 6 Drawing Sheets



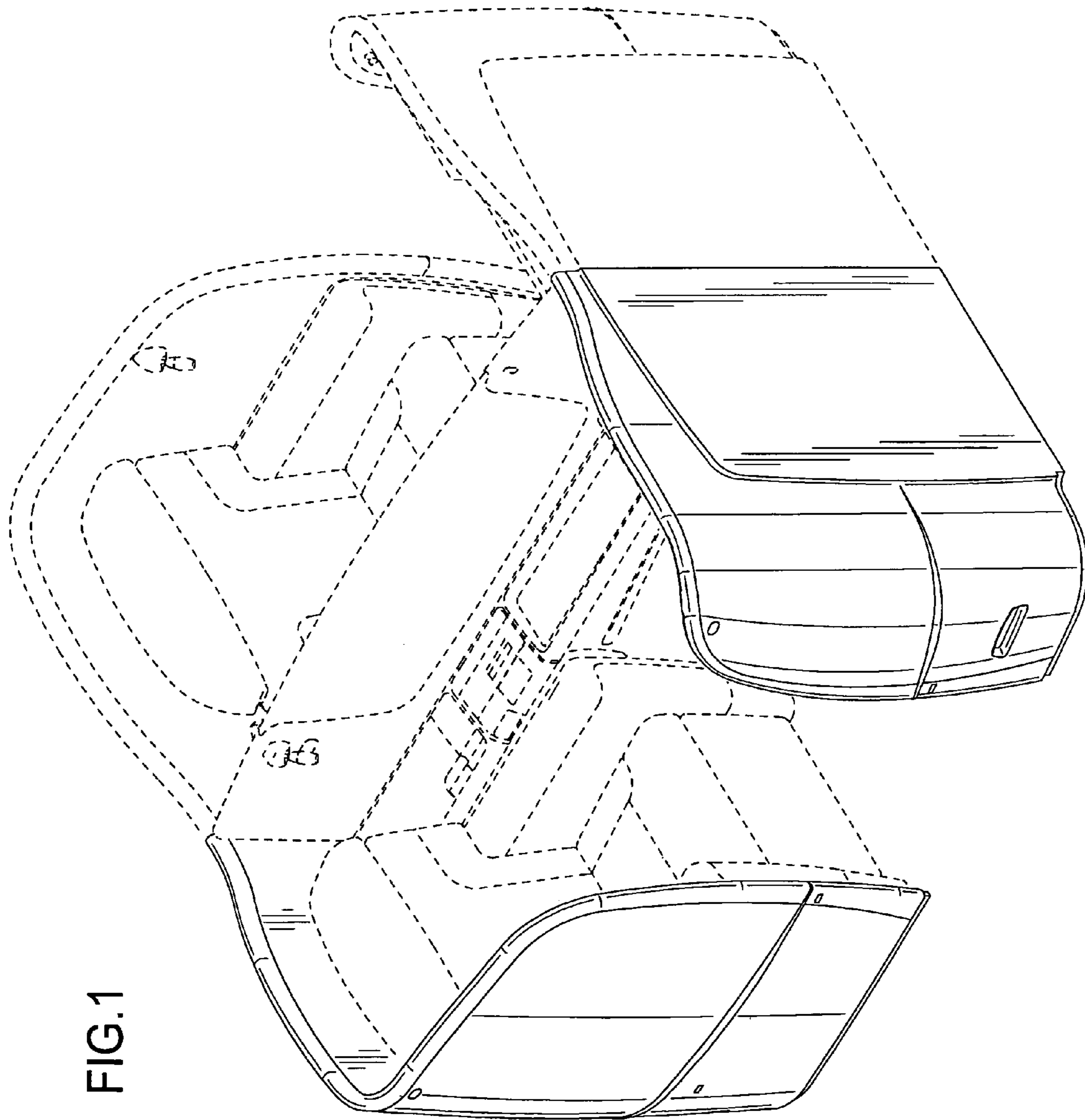


FIG. 1

FIG.2

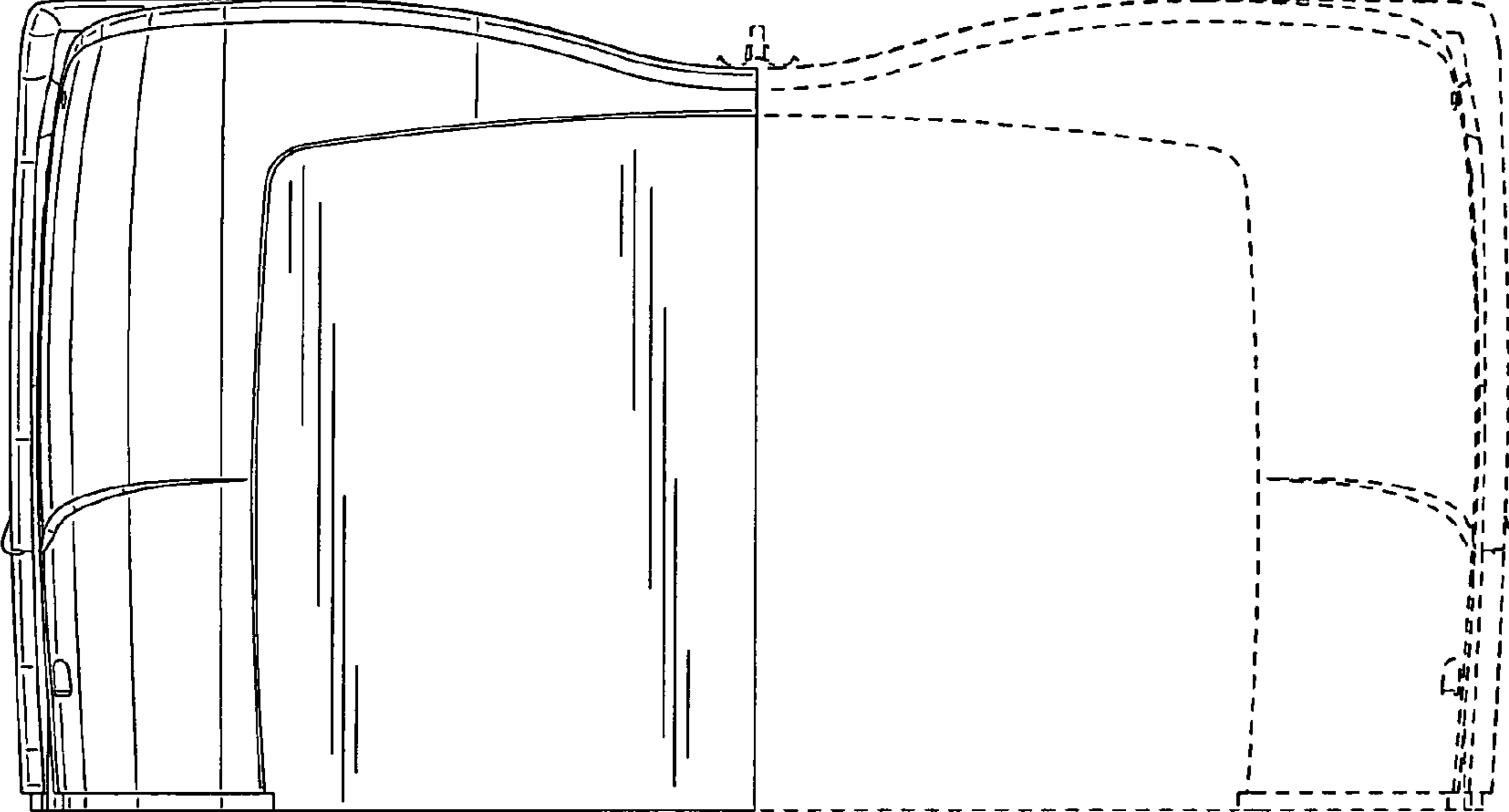


FIG.3

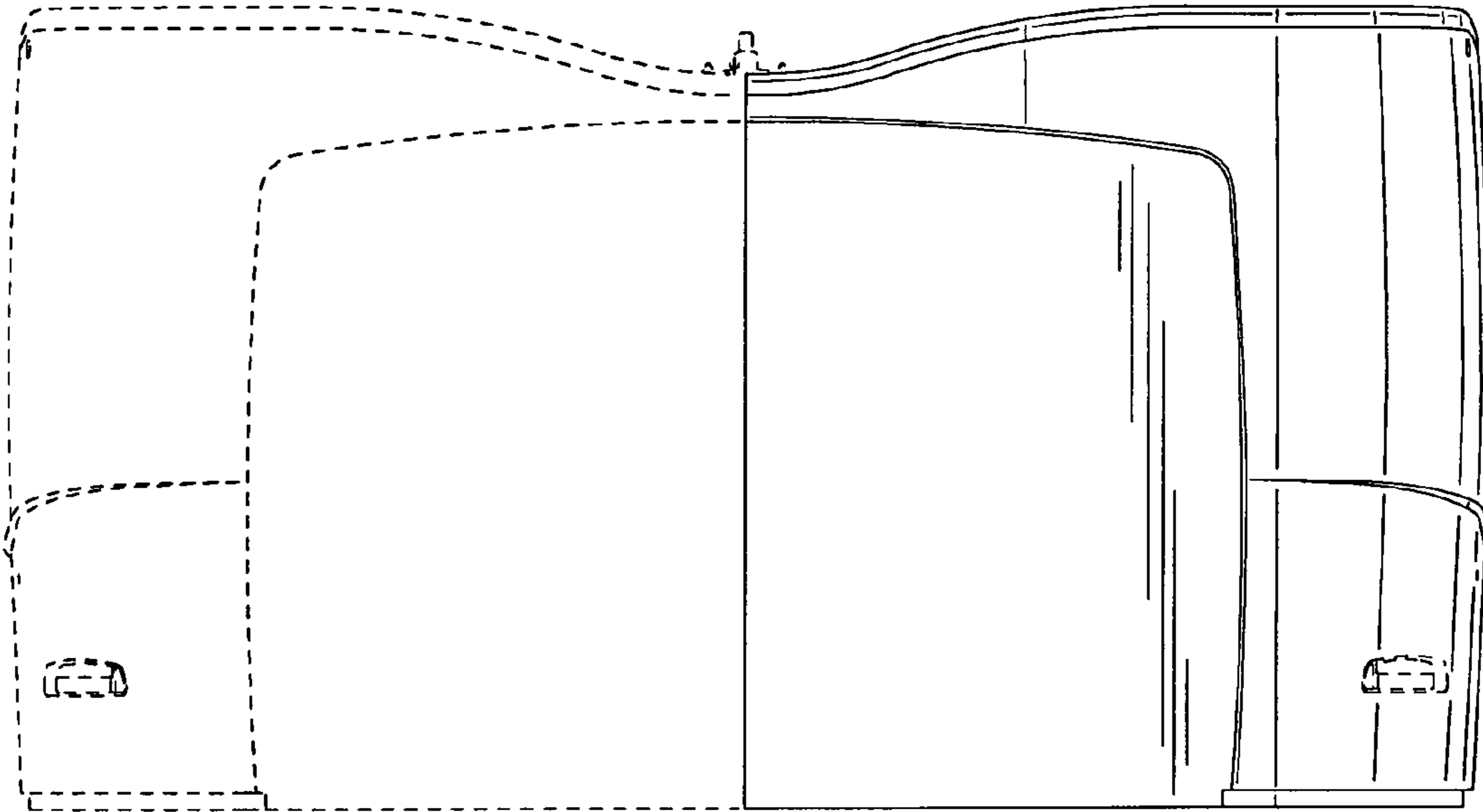


FIG.4

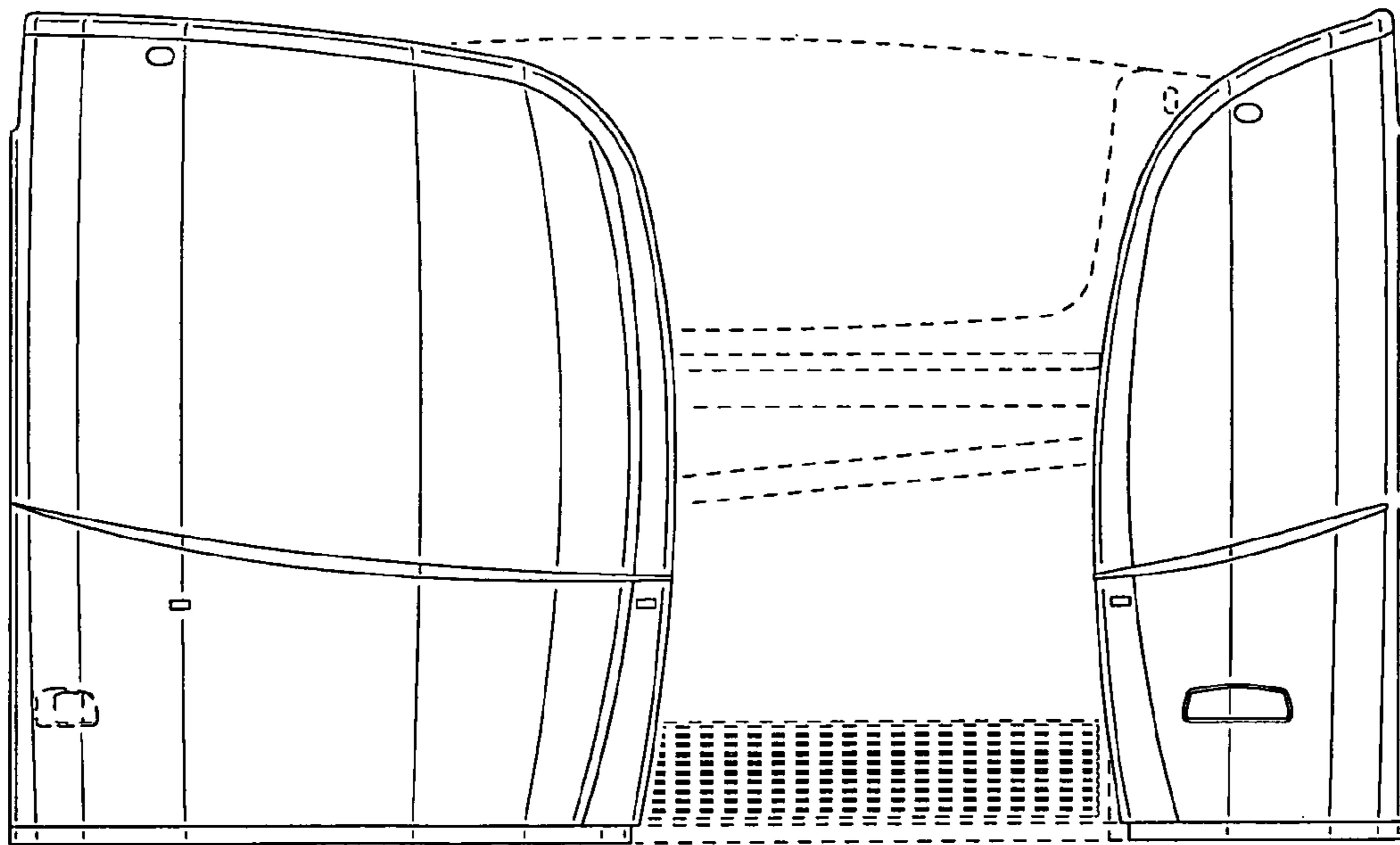


FIG.5

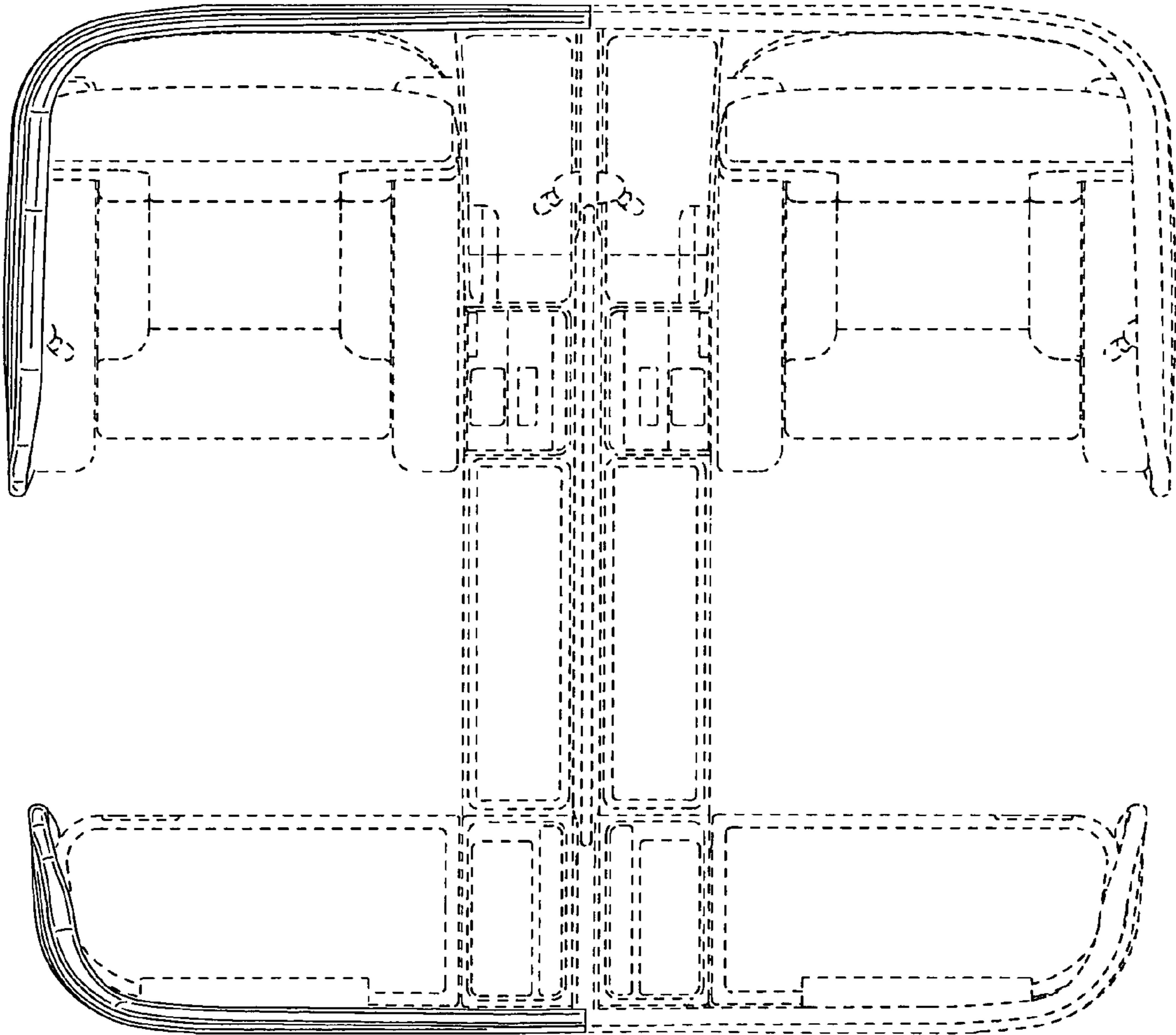


FIG.6

