



US00D623574S

(12) **United States Design Patent**
Thompson

(10) **Patent No.:** **US D623,574 S**

(45) **Date of Patent:** **** Sep. 14, 2010**

(54) **WHEEL**

(76) **Inventor:** **Spencer Thompson**, 2363 Teller Rd.,
Suite 104, Newbury Park, CA (US)
91320

(**) **Term:** **14 Years**

(21) **Appl. No.:** **29/351,720**

(22) **Filed:** **Dec. 10, 2009**

(51) **LOC (9) Cl.** **12-16**

(52) **U.S. Cl.** **D12/211**

(58) **Field of Classification Search** D12/204–213;
301/37.101, 64.101, 65, 64.201
See application file for complete search history.

(56) **References Cited**

U.S. PATENT DOCUMENTS

D504,858 S *	5/2005	Pfeiffer	D12/209
D510,719 S *	10/2005	Noble	D12/211
D513,221 S *	12/2005	Pfeiffer	D12/211
D519,434 S *	4/2006	Werner	D12/211

D520,929 S *	5/2006	Matei et al.	D12/209
D521,435 S *	5/2006	Fitzgerald	D12/209
D536,294 S *	2/2007	Laengerer	D12/211
D551,150 S *	9/2007	Hueller	D12/211
D589,865 S *	4/2009	Jung et al.	D12/209
D597,917 S *	8/2009	Chung	D12/209
D609,156 S *	2/2010	Rider et al.	D12/211

* cited by examiner

Primary Examiner—Stacia Cadmus

(74) *Attorney, Agent, or Firm*—Kelly Lowry & Kelley, LLP

(57) **CLAIM**

The ornamental design for a wheel, as shown.

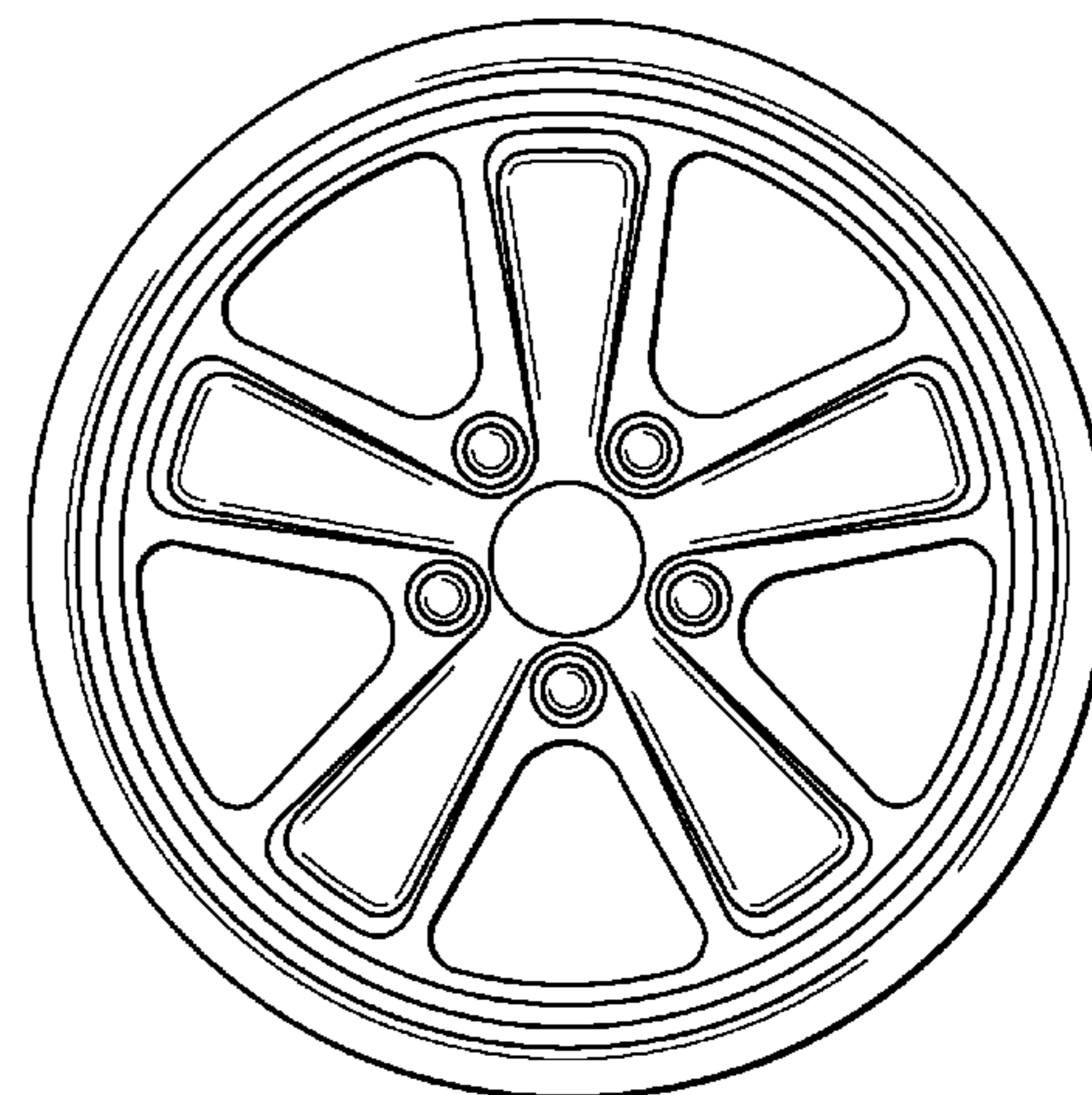
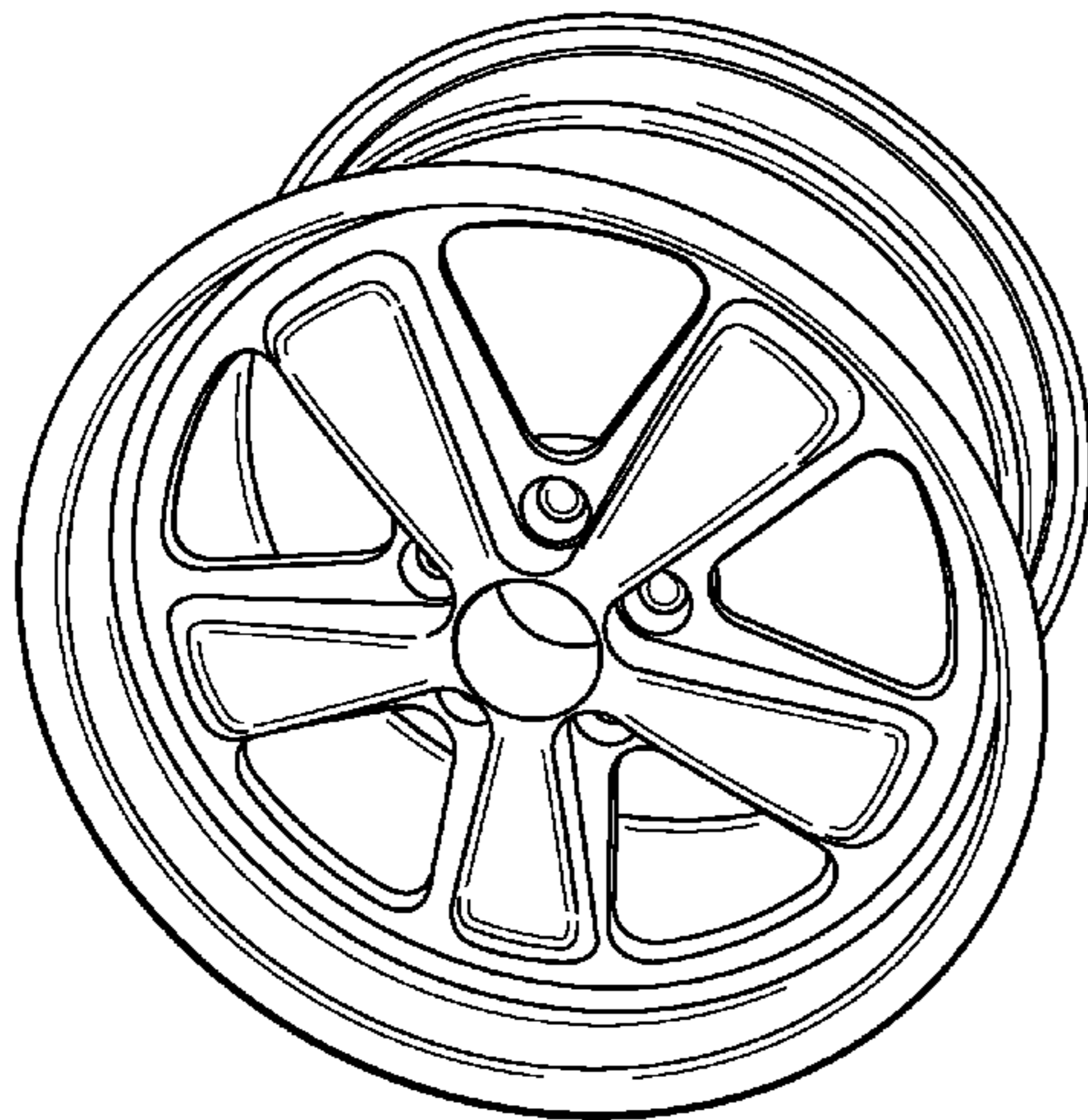
DESCRIPTION

FIG. 1 is a front, top and left-side perspective view of a wheel embodying my new design;

FIG. 2 is a front elevational view thereof; and,

FIG. 3 is a side elevational view thereof.

1 Claim, 1 Drawing Sheet



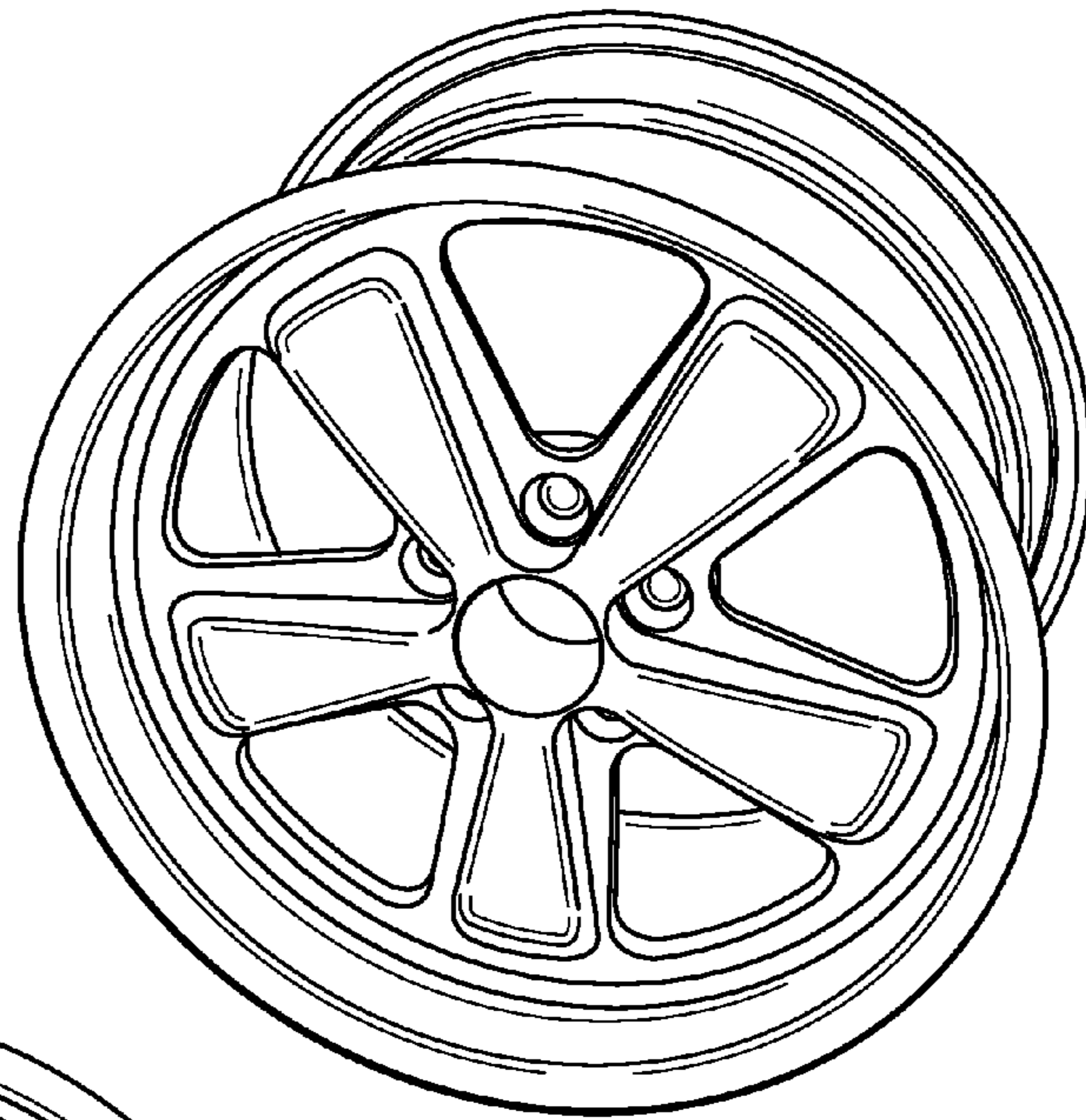


FIG. 1

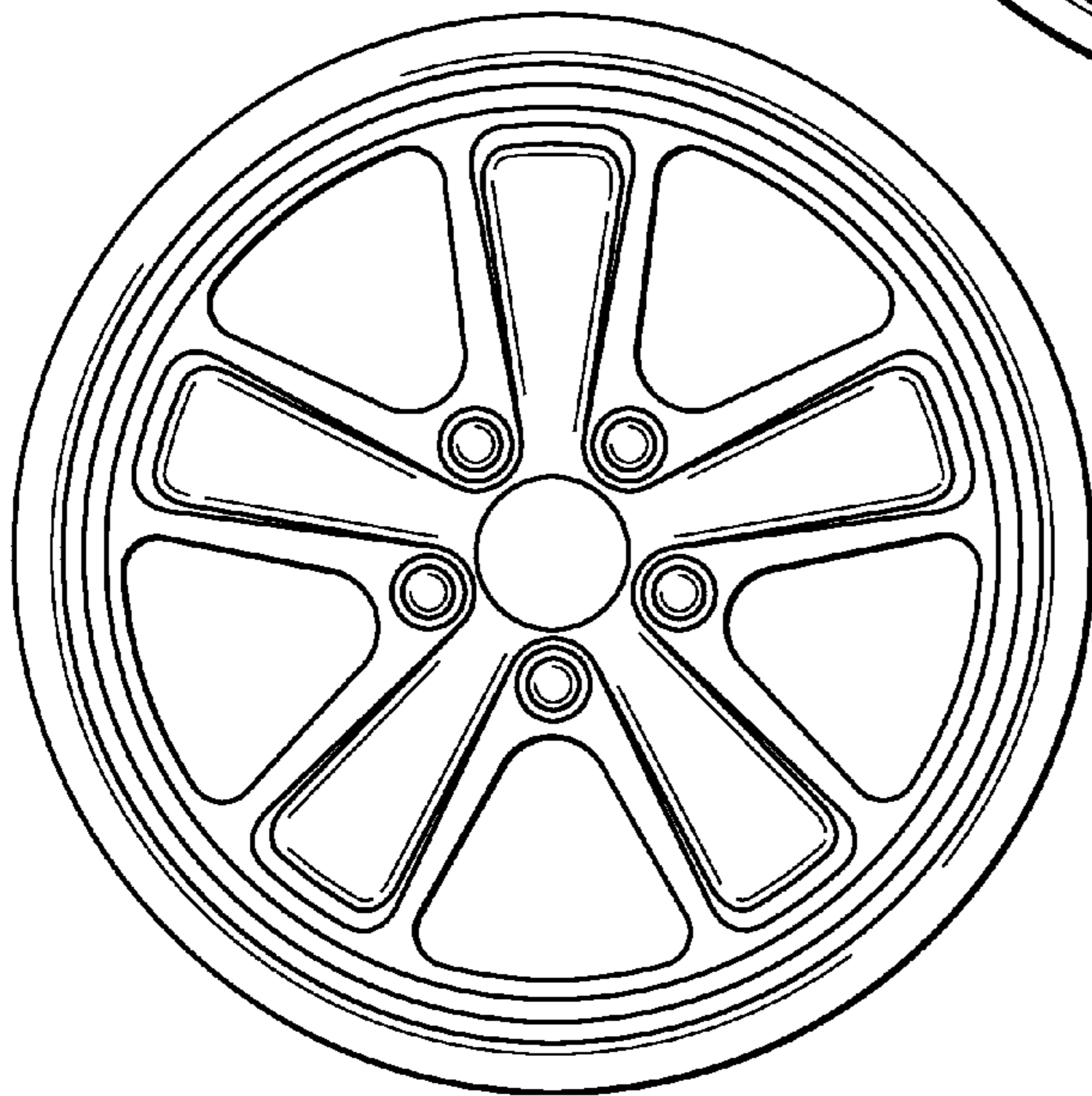


FIG. 2

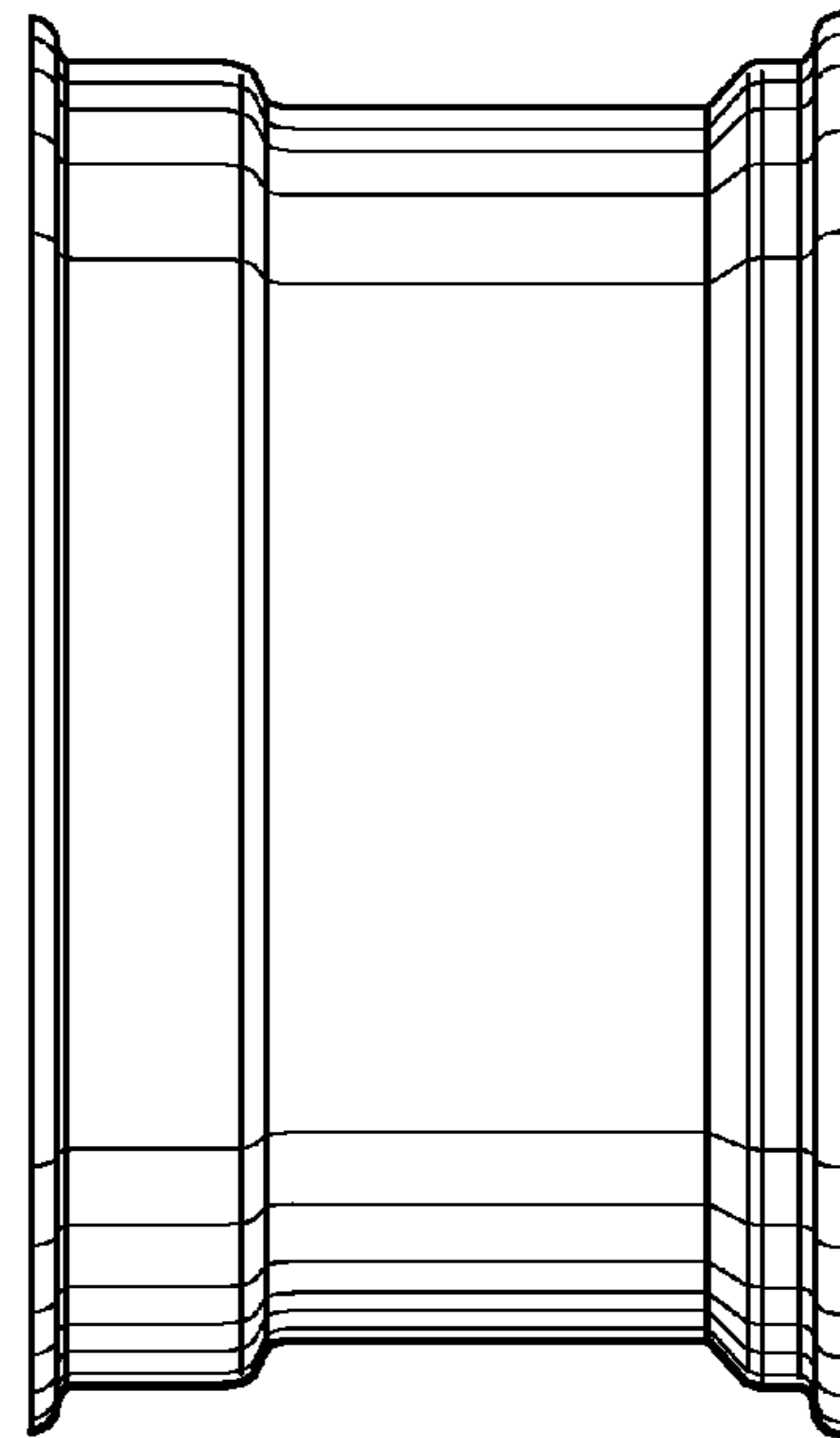


FIG. 3