



US00D623572S

(12) **United States Design Patent**
Griffin

(10) **Patent No.:** **US D623,572 S**

(45) **Date of Patent:** **** Sep. 14, 2010**

(54) **FOLDING SHIFTER OR BRAKE PEDAL FOR A MOTORCYCLE**

D601,472 S * 10/2009 Griffin et al. D12/179

(76) Inventor: **Matthew Griffin**, 939 Cypress Cove Way, Tarpon Springs, FL (US) 34688

(**) Term: **14 Years**

(21) Appl. No.: **29/350,709**

(22) Filed: **Nov. 22, 2009**

(51) **LOC (9) Cl.** **12-11**

(52) **U.S. Cl.** **D12/179**

(58) **Field of Classification Search** D12/179,
D12/180, 114, 110, 122, 125; 74/512, 562,
74/562.5, 564, 478, 478.5, 473.16, 473.17,
74/173.2; 296/75; 180/219, 336, 291-294,
180/230; 280/291, 288.4; 192/3.54, 3.61,
192/48.1, 48.7, 99 A, 99 B, 99 R, 99 S, 48.3;
188/73.1, 344

See application file for complete search history.

(56) **References Cited**

U.S. PATENT DOCUMENTS

| | | | | | |
|-----------|------|---------|----------------|-------|---------|
| 3,853,020 | A * | 12/1974 | Clark, III | | 74/560 |
| D426,175 | S * | 6/2000 | Chin-Fong | | D12/114 |
| 6,345,550 | B1 * | 2/2002 | Markham et al. | | 74/512 |
| D516,966 | S * | 3/2006 | Wirtz | | D12/125 |
| D537,022 | S * | 2/2007 | Sands | | D12/179 |
| D539,198 | S * | 3/2007 | Sands | | D12/179 |
| 7,467,682 | B1 * | 12/2008 | Hahm | | 180/230 |
| D601,469 | S * | 10/2009 | Griffin et al. | | D12/179 |
| D601,470 | S * | 10/2009 | Griffin et al. | | D12/179 |
| D601,471 | S * | 10/2009 | Griffin et al. | | D12/179 |

OTHER PUBLICATIONS

Custom Chrome® Chrome Specialties® 2003 catalog, Forward Control Kits by Billet Concepts, Legends, and Pro One™ on p. 3.04.*
Drag Specialties 2003 catalog, Billet Aluminum Forward Controls on p. 785.*

* cited by examiner

Primary Examiner—Susan M Lee

Assistant Examiner—Linda G. Brooks

(74) *Attorney, Agent, or Firm*—Larson & Larson, P.A.; Frank Liebenow

(57) **CLAIM**

We claim the ornamental design for a folding shifter or brake pedal for a motorcycle, as shown and described.

DESCRIPTION

FIG. 1 is a top elevation view of the folding shifter or brake pedal for a motorcycle showing our novel design;

FIG. 2 is a bottom elevation view thereof;

FIG. 3 is a left side view thereof;

FIG. 4 is a right side view thereof;

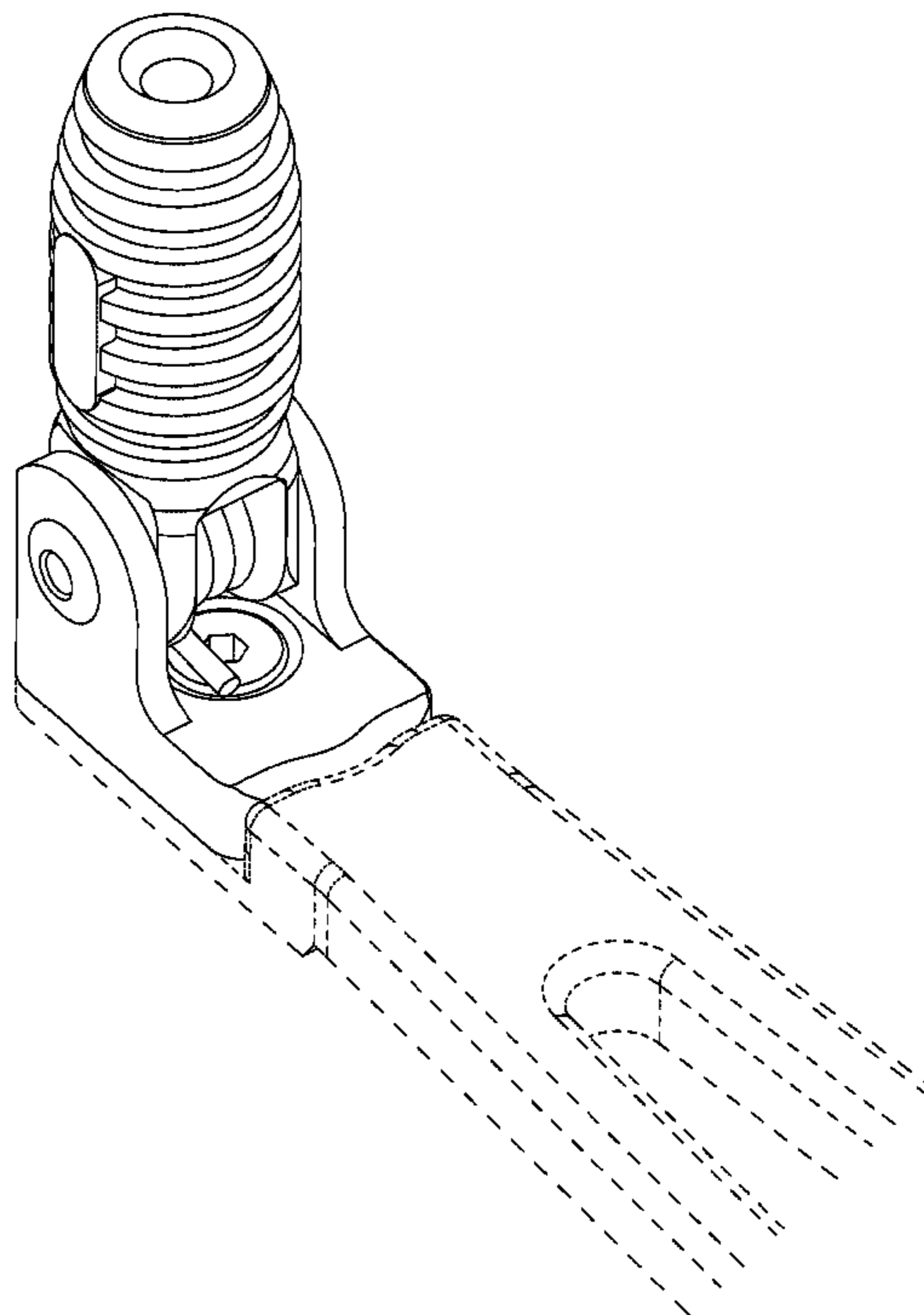
FIG. 5 is a front view thereof;

FIG. 6 is a rear view thereof;

FIG. 7 is a front and top perspective view thereof; and,

FIG. 8 is a rear and bottom perspective view thereof, wherein the dashed lines represent a shifter arm of a motorcycle and are not part of the claimed invention.

1 Claim, 8 Drawing Sheets



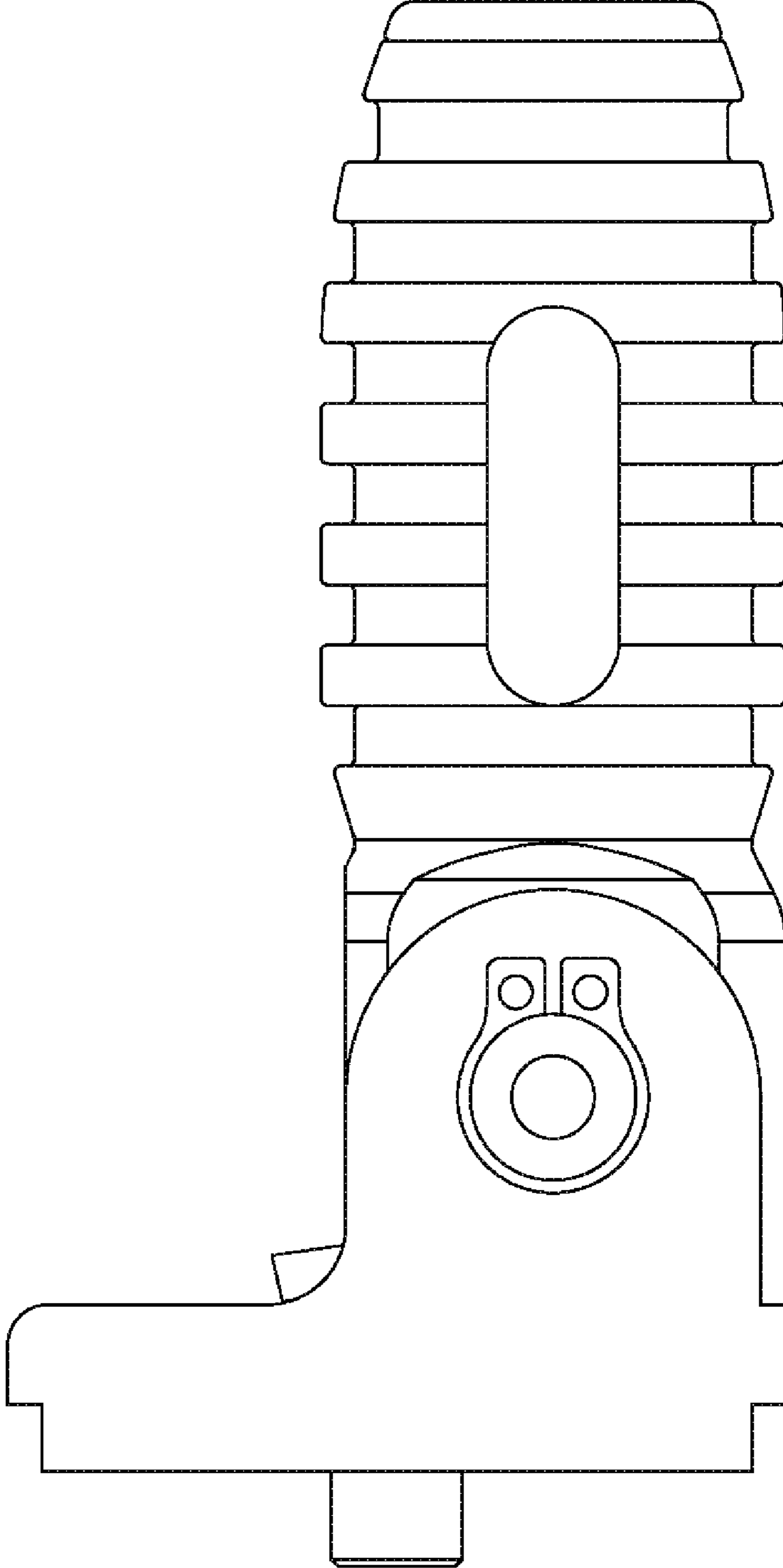


FIG. 1

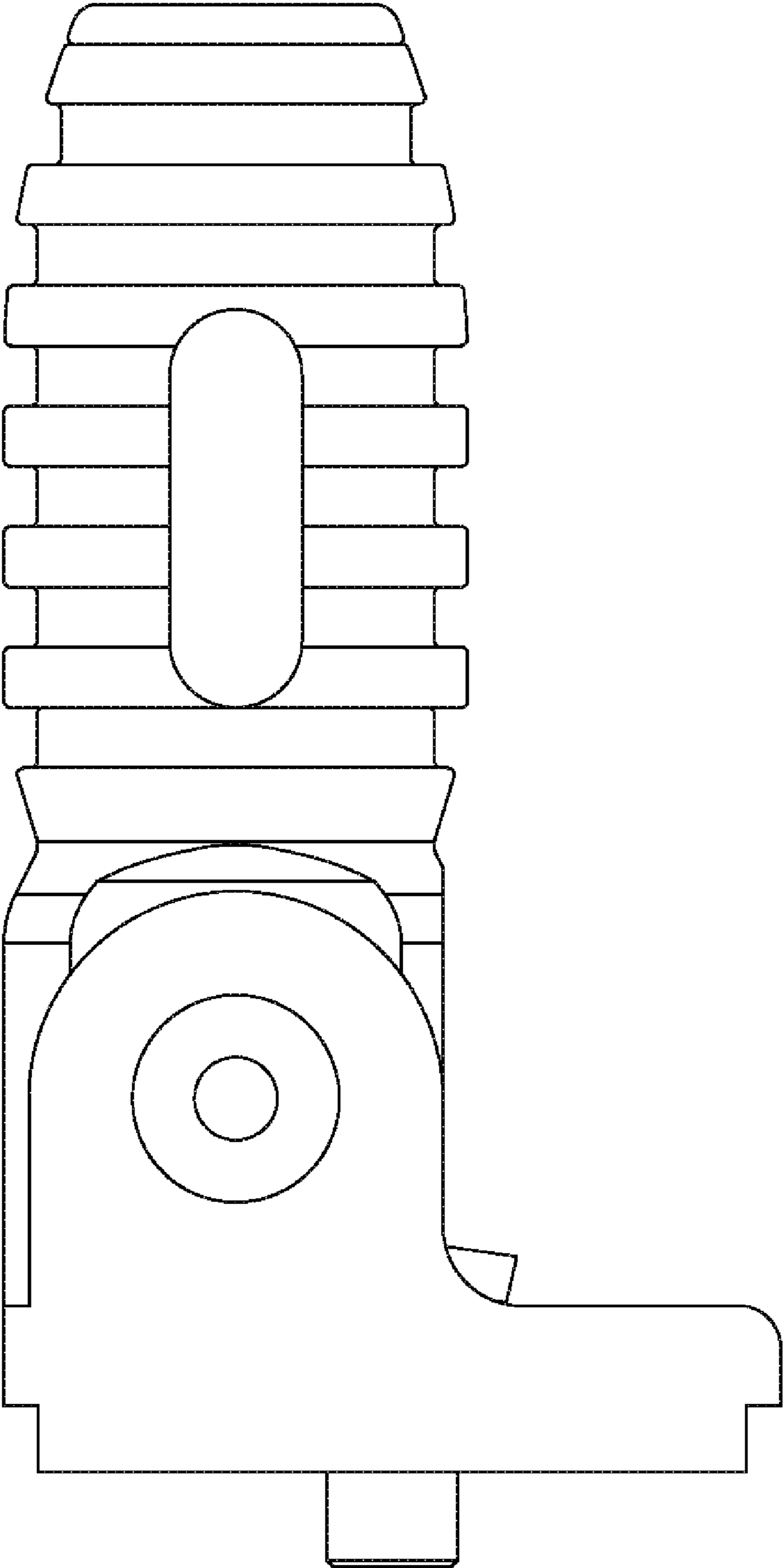


FIG. 2

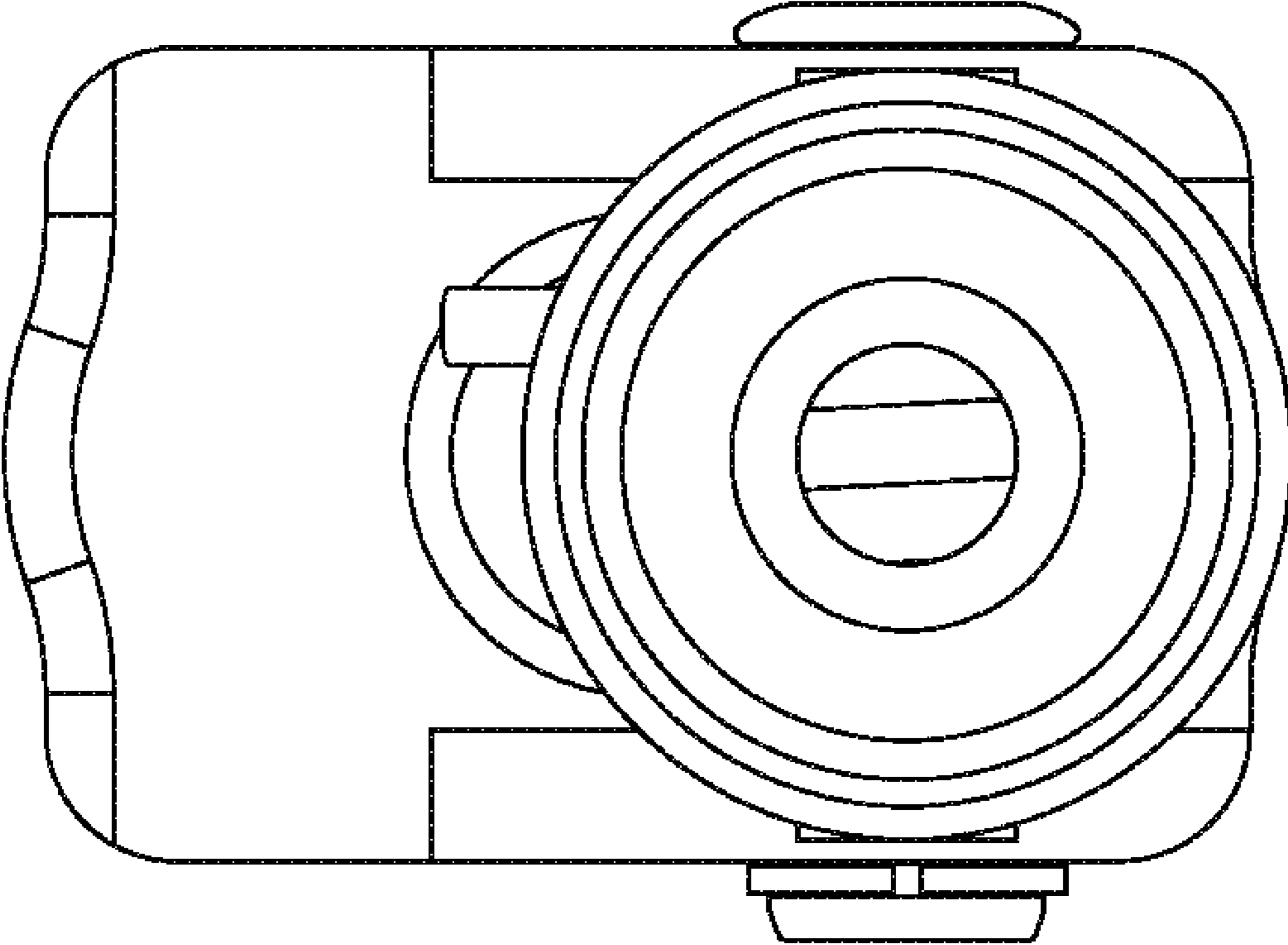


FIG. 3

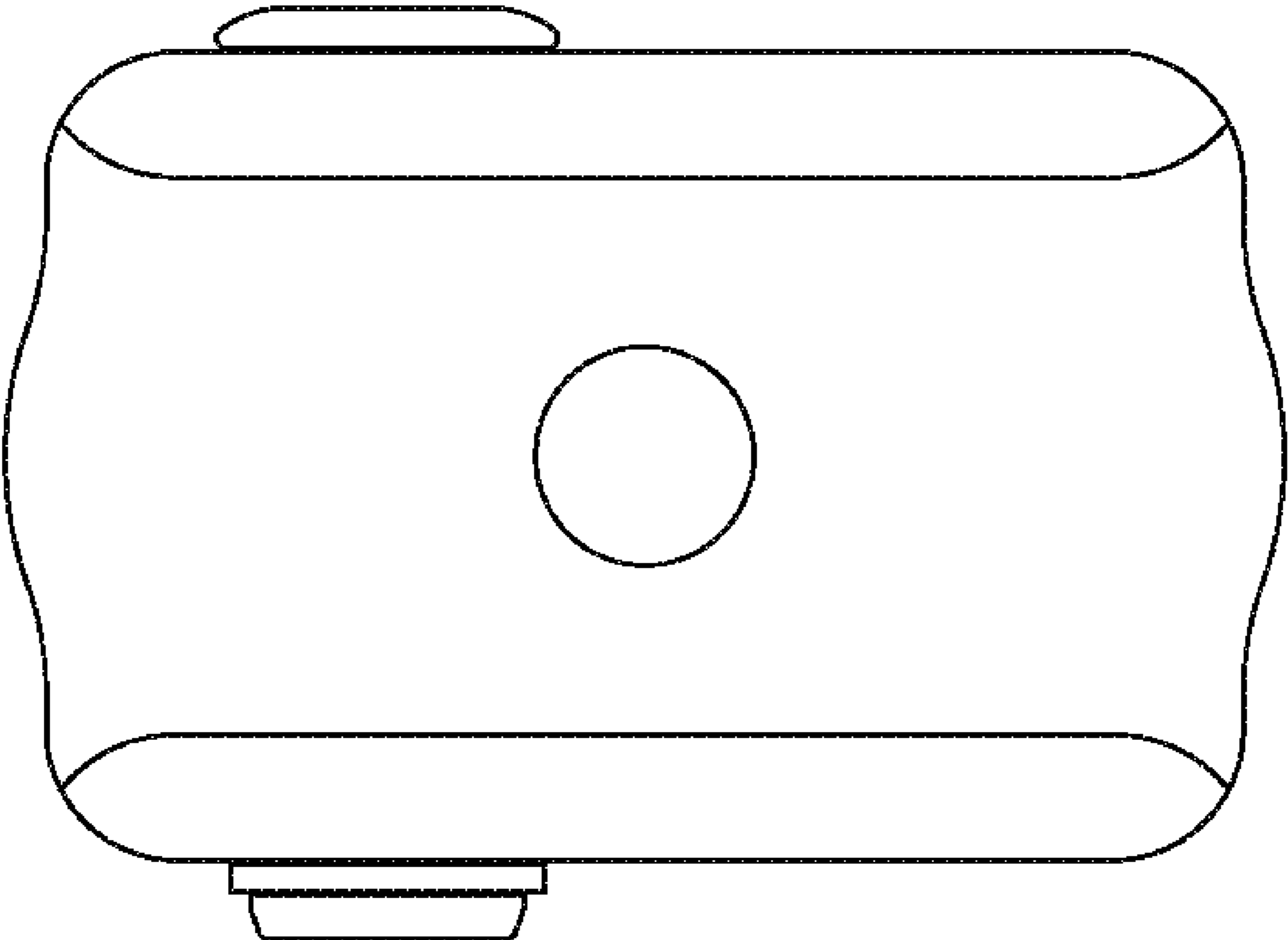


FIG. 4

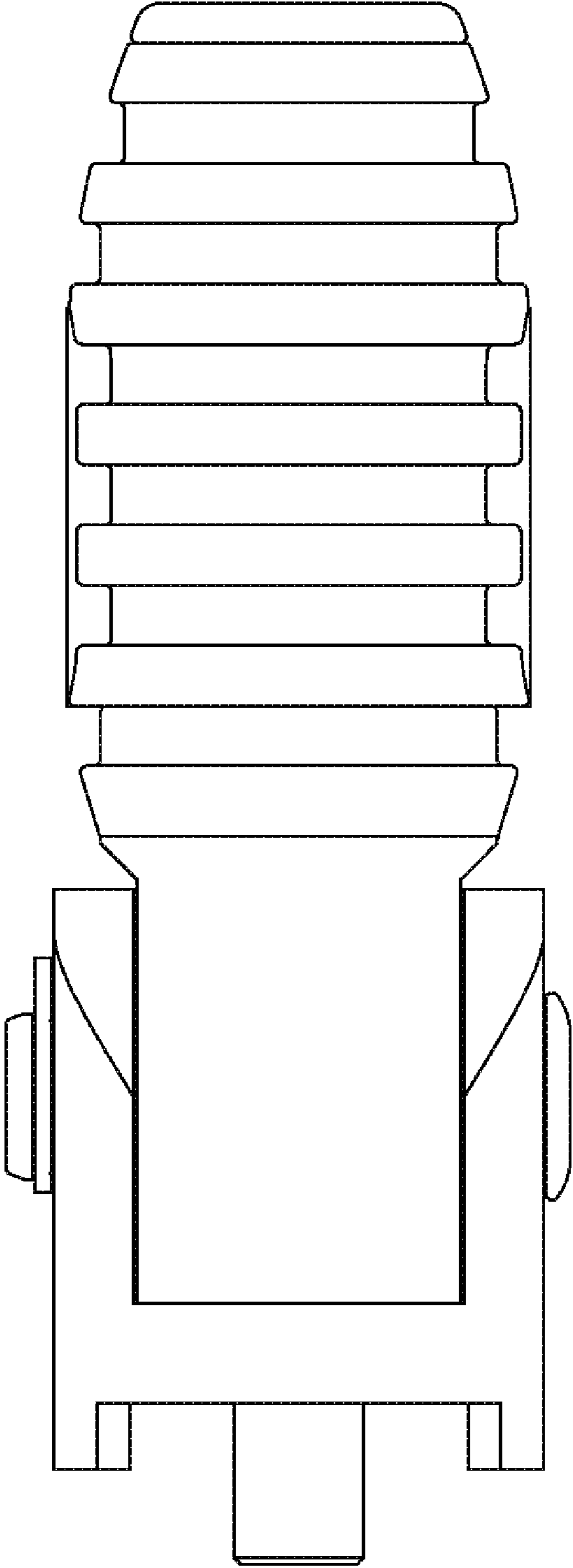


FIG. 5

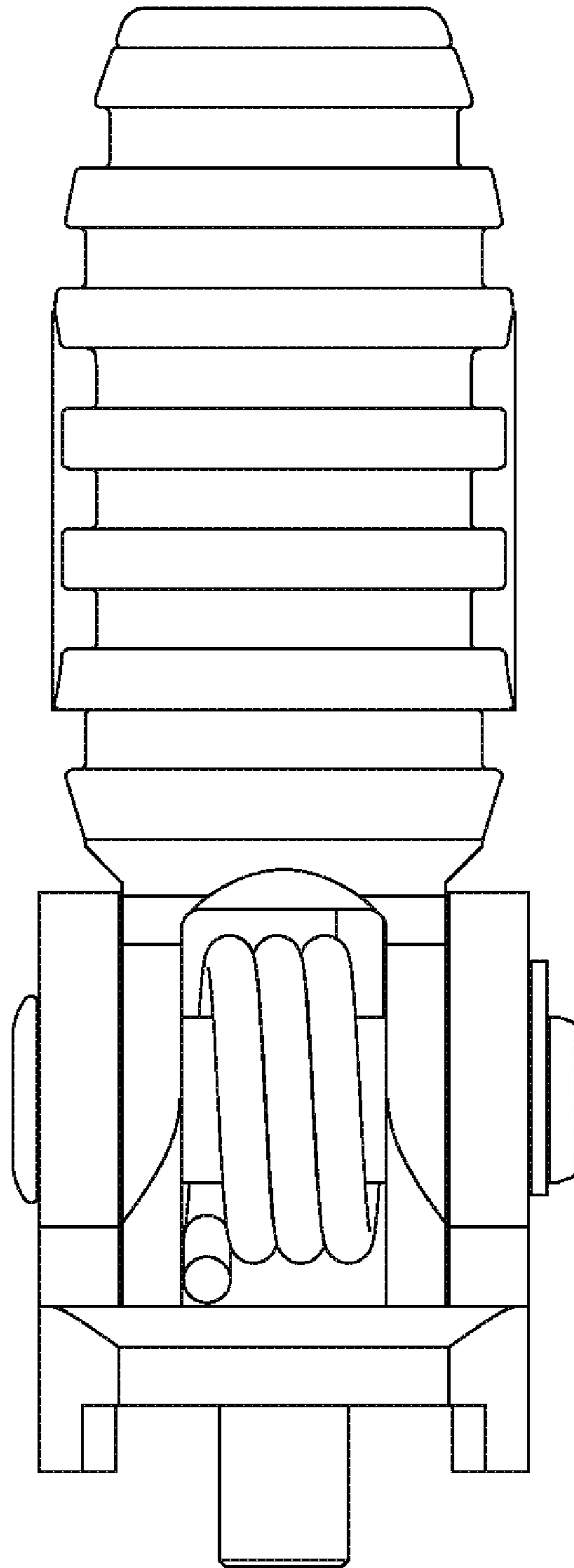


FIG. 6

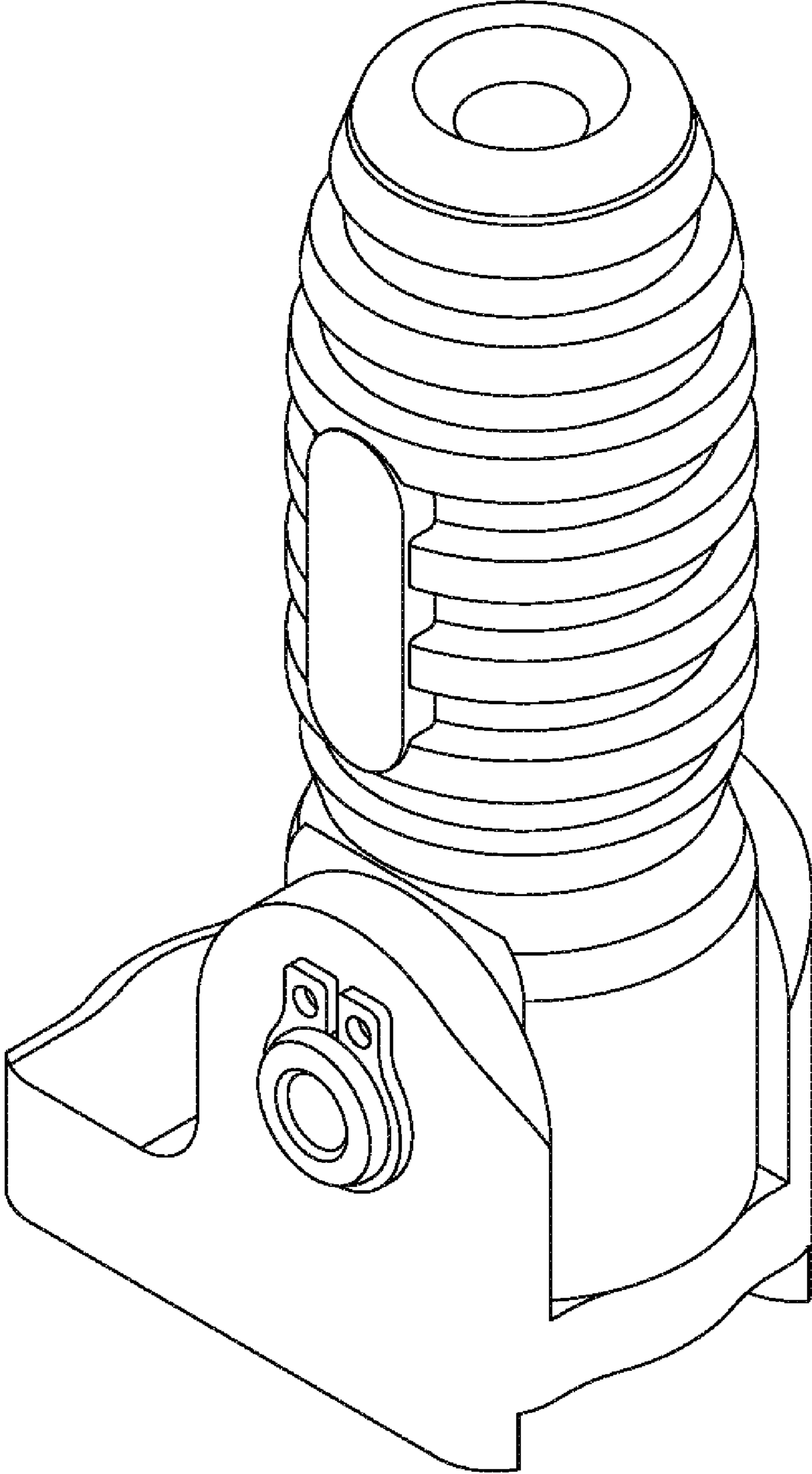


FIG. 7

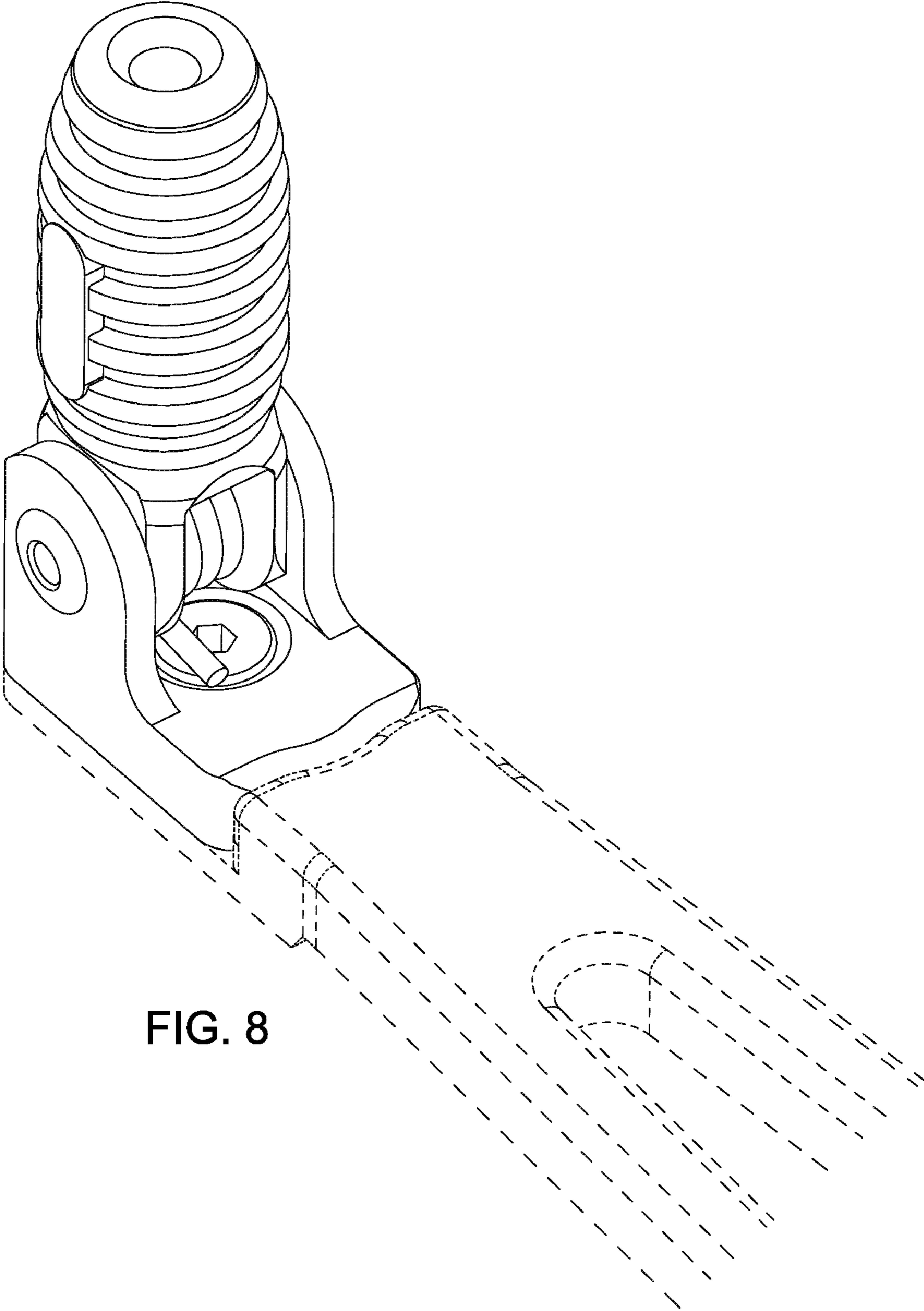


FIG. 8