



US00D623567S

(12) **United States Design Patent**  
**Yamaguchi et al.**

(10) **Patent No.:** **US D623,567 S**

(45) **Date of Patent:** **\*\* Sep. 14, 2010**

(54) **FRONT BUMPER FOR AN AUTOMOBILE**

D600,175 S \* 9/2009 Yamazaki et al. .... D12/169  
D606,462 S \* 12/2009 Furuhashi et al. .... D12/169  
D606,912 S \* 12/2009 Sahs ..... D12/169

(75) Inventors: **Hisato Yamaguchi**, Susono (JP);  
**Yoshitaka Hamuro**, Susono (JP)

**OTHER PUBLICATIONS**

(73) Assignee: **Toyota Jidosha Kabushiki Kaisha** (JP)

Brochure of Boon, issued by Daihatsu Motor Co., Ltd., Dec. 2006.  
Brochure of Mobilio, issued by Honda Motor Co., Ltd., Dec. 2005.

(\*\*) Term: **14 Years**

\* cited by examiner

(21) Appl. No.: **29/346,288**

*Primary Examiner*—Melody N Brown

(22) Filed: **Oct. 29, 2009**

(74) *Attorney, Agent, or Firm*—SAIDMAN DesignLaw Group

(51) **LOC (9) Cl.** ..... **12-16**

(57) **CLAIM**

(52) **U.S. Cl.** ..... **D12/169**

The ornamental design for a front bumper for an automobile,  
as shown and described.

(58) **Field of Classification Search** ..... D12/169,  
D12/196, 90-92; 293/102, 105, 113, 115,  
293/117, 120; 296/180.1, 180.2

**DESCRIPTION**

See application file for complete search history.

FIG. 1 is a front perspective view of a front bumper for an  
automobile showing our new design;

(56) **References Cited**

FIG. 2 is a front view thereof;

**U.S. PATENT DOCUMENTS**

FIG. 3 is a rear view thereof;

D543,912 S *	6/2007	Kato et al.	.....	D12/169
D557,185 S *	12/2007	Janik	.....	D12/169
D563,843 S *	3/2008	Kido et al.	.....	D12/169
D565,481 S *	4/2008	Ohishi et al.	.....	D12/169
D575,696 S *	8/2008	Gale et al.	.....	D12/169
D586,709 S *	2/2009	Saridakis et al.	.....	D12/169
D591,211 S *	4/2009	Hayashi et al.	.....	D12/169
D592,573 S *	5/2009	Asakura et al.	.....	D12/169

FIG. 4 is a top plan thereof;

FIG. 5 is a bottom plan view thereof; and,

FIG. 6 is a right side view thereof, the left side view being a  
mirror image of FIG. 6.

**1 Claim, 2 Drawing Sheets**

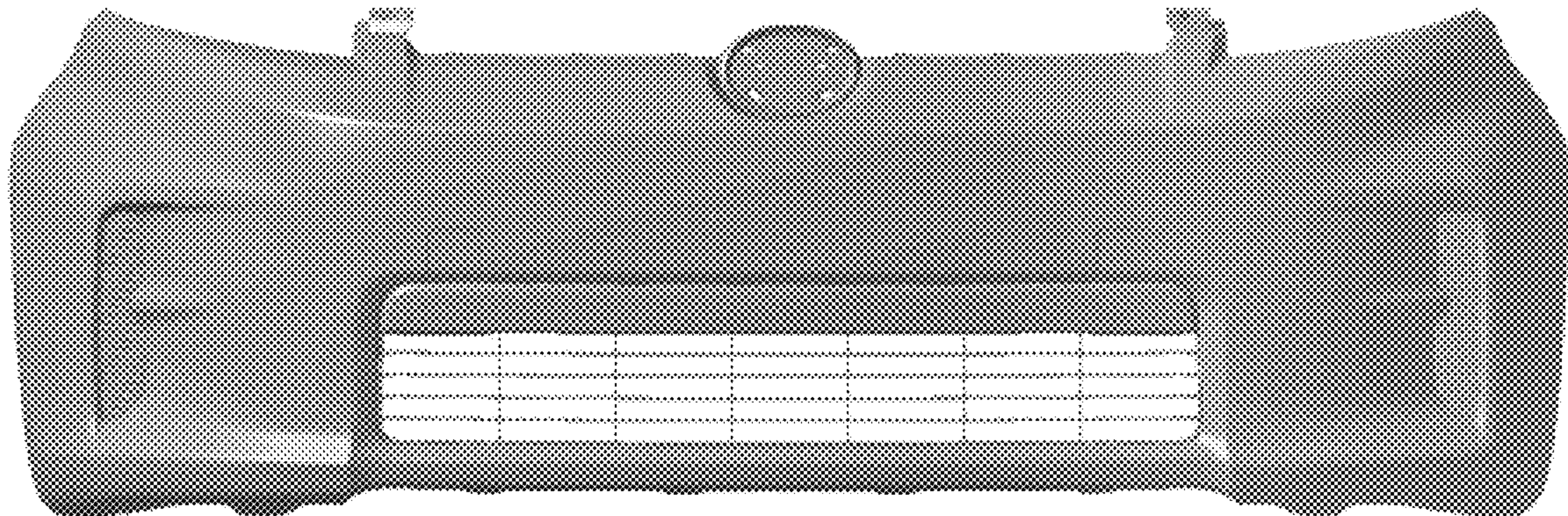




FIG. 1

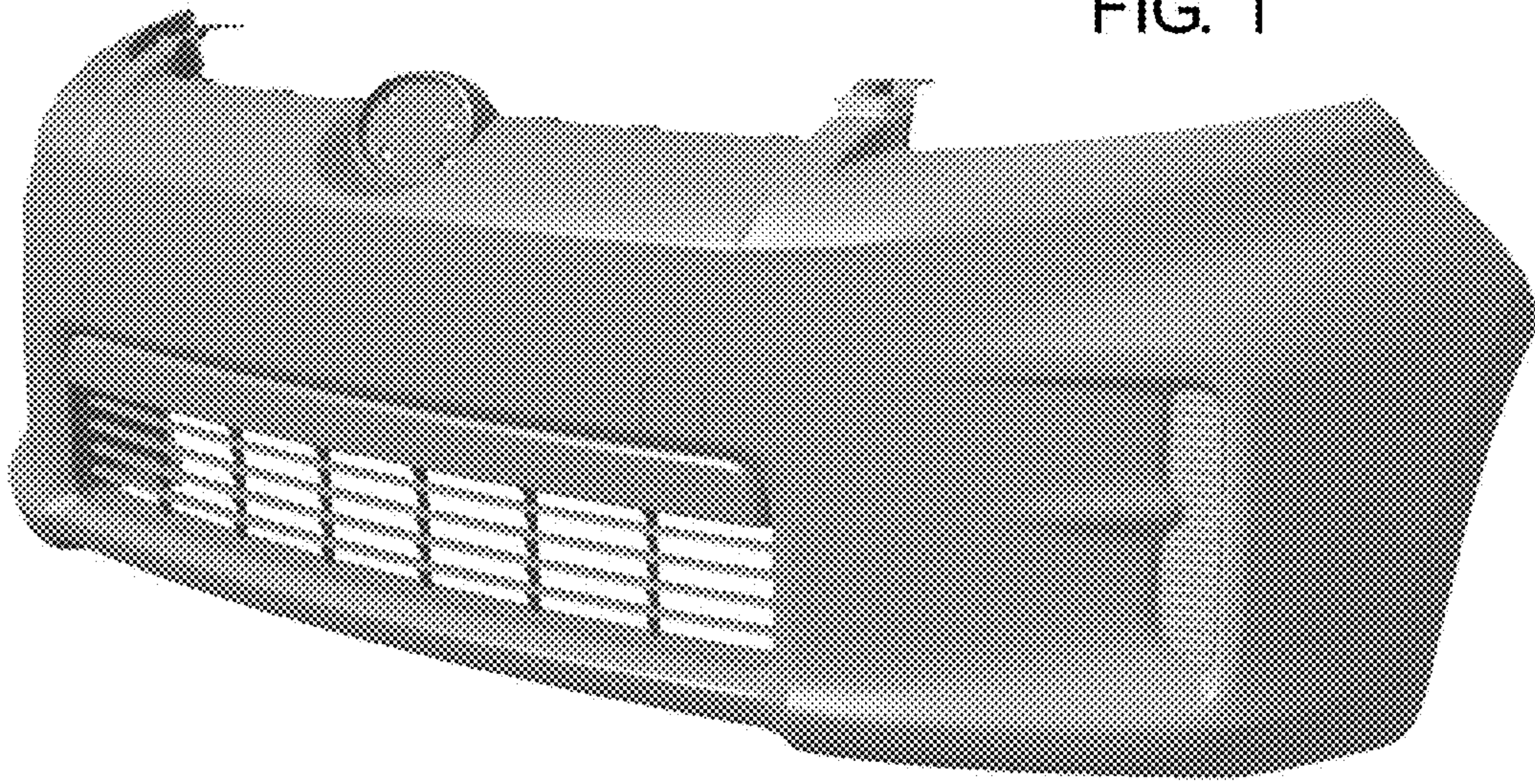


FIG. 2

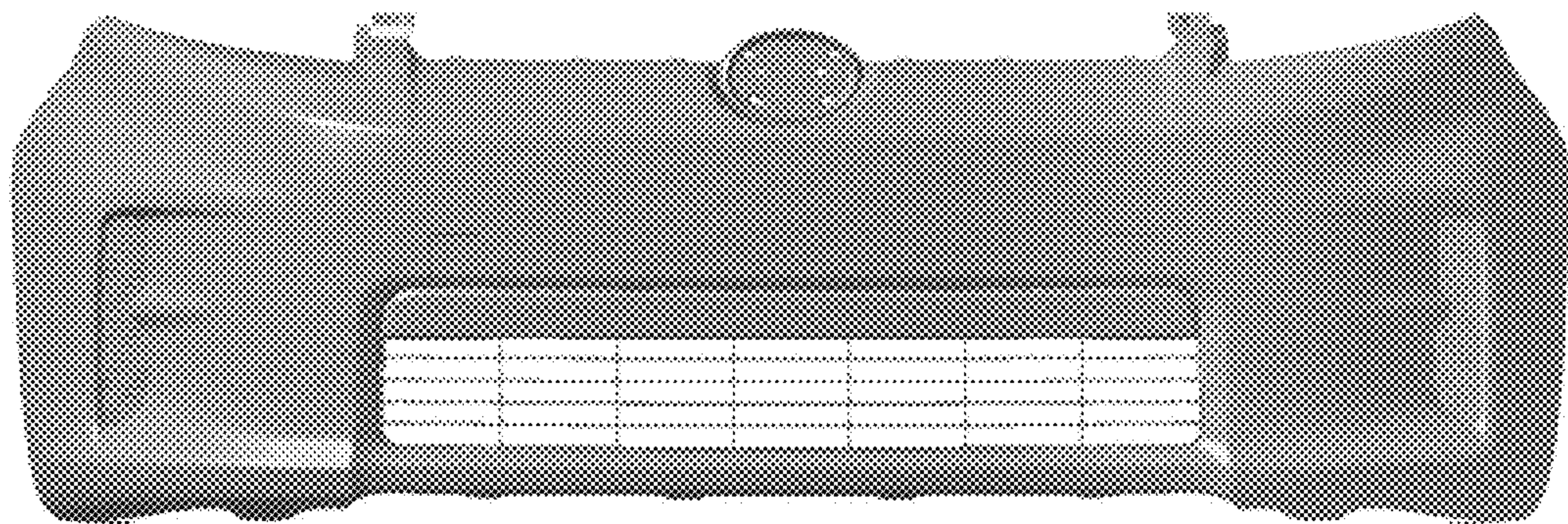
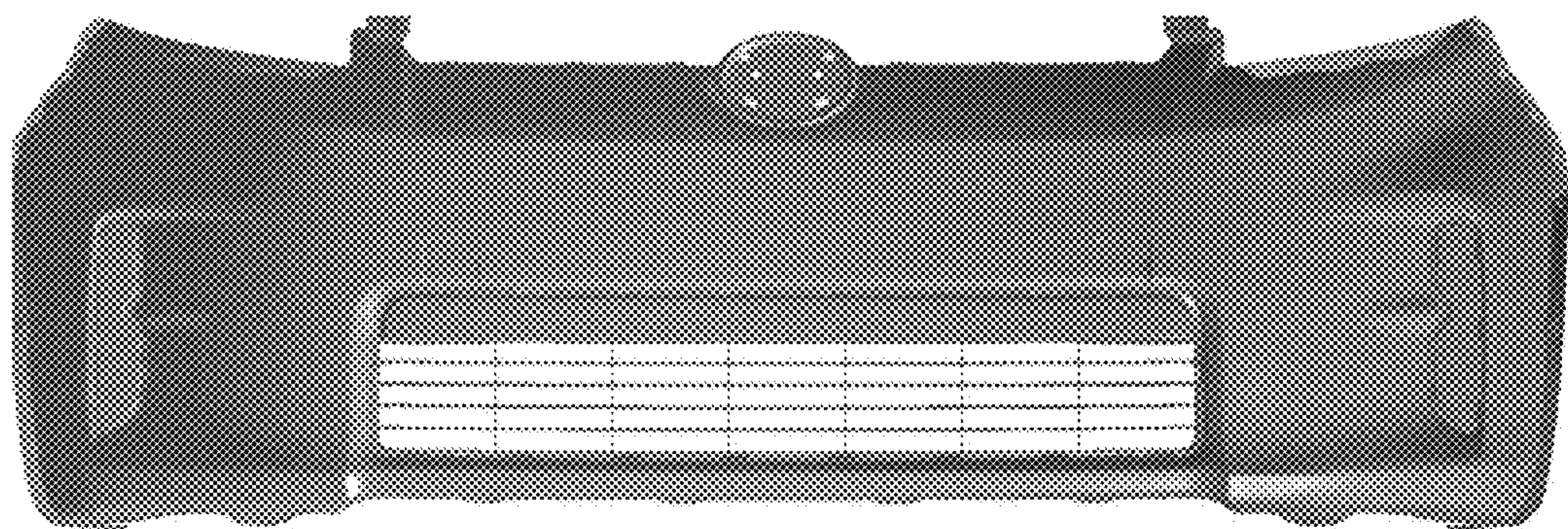


FIG. 3





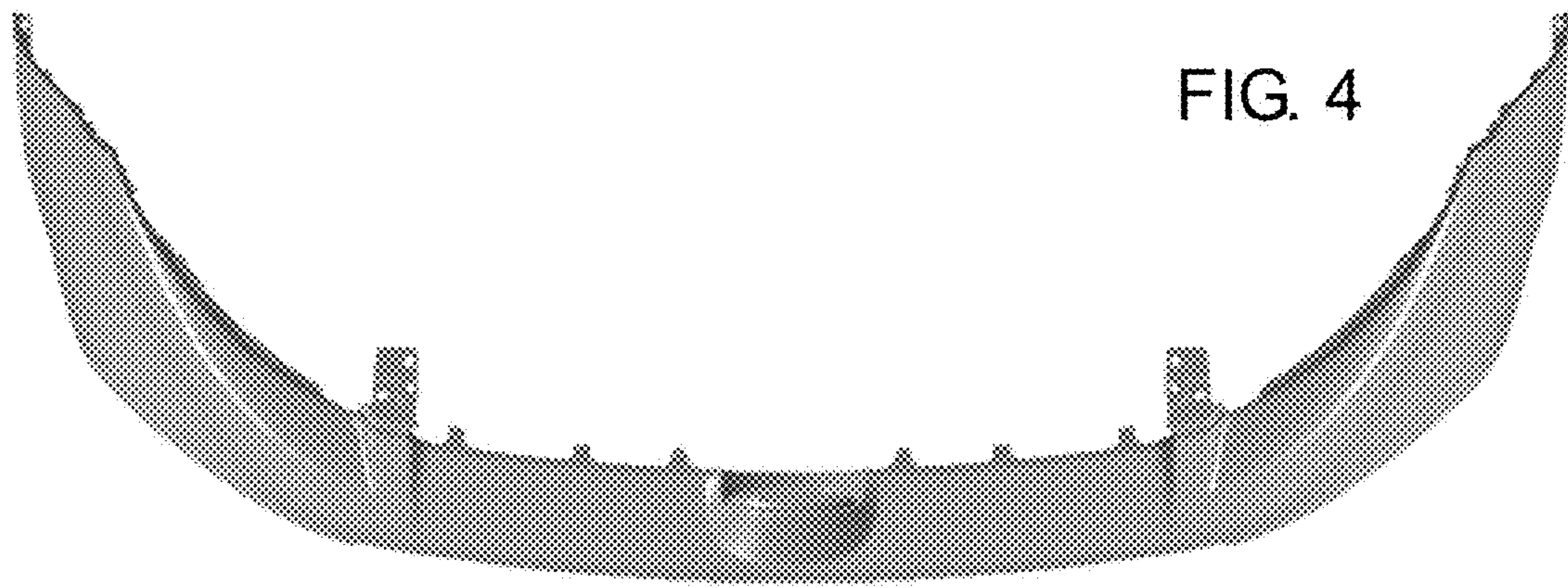


FIG. 4

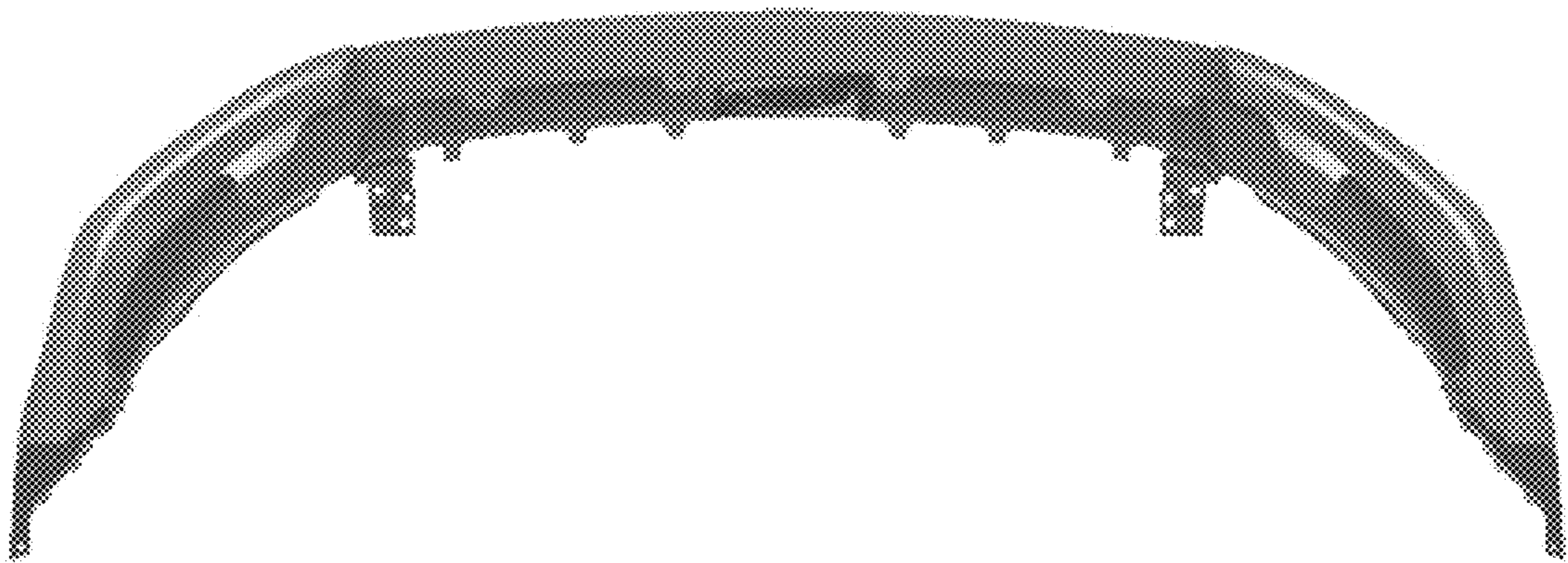


FIG. 5

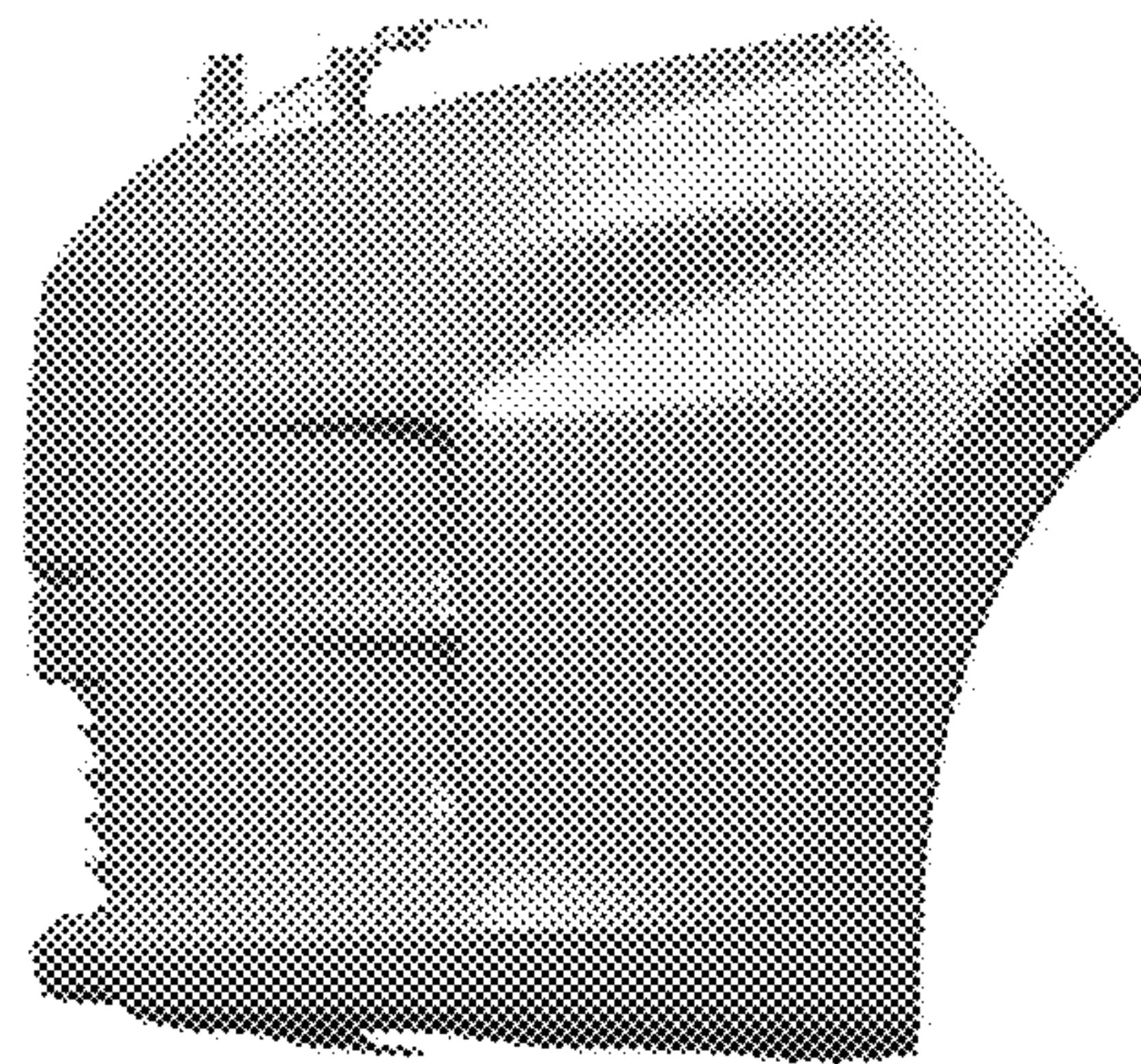


FIG. 6