



US00D623561S

(12) **United States Design Patent**  
**Tambornino**

(10) **Patent No.:** **US D623,561 S**

(45) **Date of Patent:** **\*\* \*Sep. 14, 2010**

(54) **BICOLORED CURVED BALL HITCH**

(75) Inventor: **Curt Tambornino**, Altoona, WI (US)

(73) Assignee: **Curt Manufacturing, Inc.**, Eau Claire, WI (US)

(\*) Notice: This patent is subject to a terminal disclaimer.

(\*\*) Term: **14 Years**

(21) Appl. No.: **29/335,942**

(22) Filed: **Apr. 24, 2009**

(51) **LOC (9) Cl.** ..... **12-16**

(52) **U.S. Cl.** ..... **D12/162**

(58) **Field of Classification Search** ..... D12/161-162,  
D12/400; 280/186, 402-404, 405.1-405.2,  
280/407-407.1, 415.1, 416.1-416.3, 477,  
280/479.2, 482-483, 490.1, 491.1-491.5,  
280/493-495, 498-499, 507, 509, 511-513;  
224/500-537

See application file for complete search history.

(56) **References Cited**

**U.S. PATENT DOCUMENTS**

2,639,160	A *	5/1953	Studebaker et al.	.....	280/495
4,348,035	A *	9/1982	Wasservogel	.....	280/478.1
4,923,205	A *	5/1990	Durm	.....	280/491.3
5,000,474	A *	3/1991	Kristensen	.....	280/491.5
5,242,186	A *	9/1993	Pettersson	.....	280/511
5,730,456	A	3/1998	Bowers		
5,735,539	A	4/1998	Kravitz		
D431,216	S *	9/2000	Belinky	.....	D12/162
6,203,048	B1	3/2001	Adair		
6,241,271	B1 *	6/2001	Belinky	.....	280/511
6,481,258	B1 *	11/2002	Belinky	.....	72/324
D466,844	S	12/2002	Billings		

(Continued)

**OTHER PUBLICATIONS**

Towing Services UK, Brink Towbar Products, <http://www.brinktowbars.co.uk/new/towbars.htm>.

(Continued)

*Primary Examiner*—T. Chase Nelson

*Assistant Examiner*—Kathleen M Sims

(74) *Attorney, Agent, or Firm*—Shewchuk IP Services, LLC; Jeffrey D. Shewchuk

(57) **CLAIM**

The ornamental design for a bicolored curved ball hitch, as shown and described.

**DESCRIPTION**

FIG. 1 is a top perspective view of a bicolored angled ball hitch showing my new design.

FIG. 2 is a left side view showing the bicolored curved ball hitch of FIG. 1.

FIG. 3 is top view of the bicolored curved ball hitch of FIGS. 1-2.

FIG. 4 is a rear view of the bicolored curved ball hitch of FIGS. 1-3.

FIG. 5 is a right side view of the bicolored curved ball hitch of FIGS. 1-4.

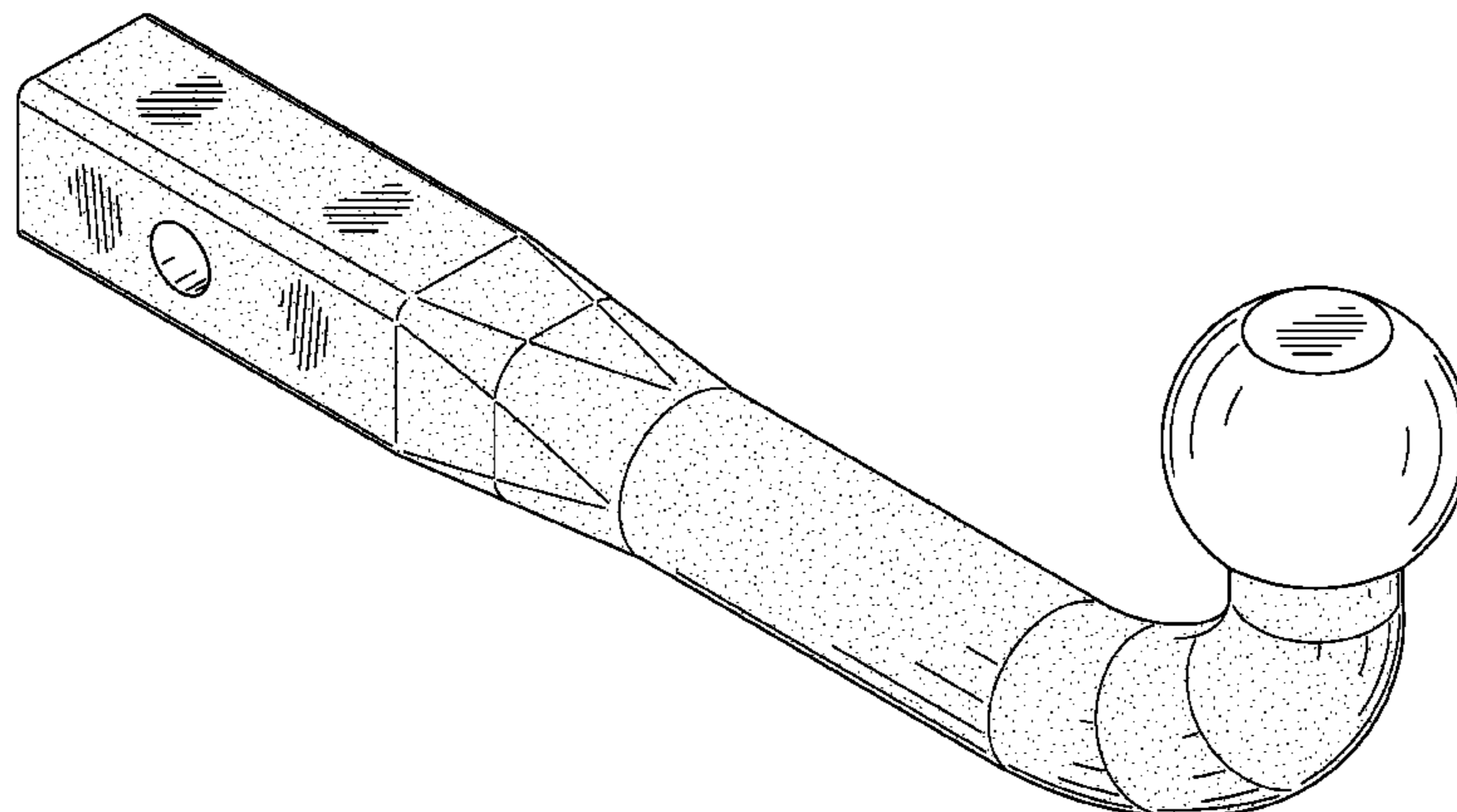
FIG. 6 is a bottom view of the bicolored curved ball hitch of FIGS. 1-5.

FIG. 7 is a front view of the bicolored curved ball hitch of FIGS. 1-6; and,

FIG. 8 is the top perspective view of FIG. 1, for the purpose of showing the colors of the bicolored curved ball hitch.

The stippling of the shank portion is intended to show that the shank portion has a textured, flat appearance and the shading of the shank portion is intended to show that the shank portion is colored black. The oblique line shading of the ball portion is shiny, smooth metallic chrome.

**1 Claim, 4 Drawing Sheets**



# US D623,561 S

Page 2

## U.S. PATENT DOCUMENTS

D469,723 S 2/2003 McCoy  
6,536,794 B2 3/2003 Hancock et al.  
6,547,271 B2\* 4/2003 Kleb et al. .... 280/491.3  
6,581,953 B2 6/2003 Jerry  
6,709,002 B2 3/2004 Tambornino  
6,746,038 B2 6/2004 McCoy et al.  
6,860,503 B2\* 3/2005 Aufderheide et al. .... 280/491.3  
D519,065 S 4/2006 Tambornino  
7,159,890 B2\* 1/2007 Craig et al. .... 280/511  
7,216,886 B2\* 5/2007 Rimmelpacher  
et al. .... 280/491.3

7,273,222 B2\* 9/2007 Rampp ..... 280/491.3  
2004/0075244 A1\* 4/2004 Reutlinger et al. .... 280/491.3  
2004/0100066 A1 5/2004 Andersen  
2005/0046148 A1\* 3/2005 Reutlinger et al. .... 280/491.3  
2006/0071448 A1\* 4/2006 Craig et al. .... 280/511  
2008/0036179 A1\* 2/2008 Andersen ..... 280/511

## OTHER PUBLICATIONS

BrinkMatic Mirage Manual, 2002/1.  
<http://tdiparts.com/catalog/images/parts/b55bosalAK6.jpg>.  
BrinkMatic Advance User Manual, Brink International 2004.

\* cited by examiner

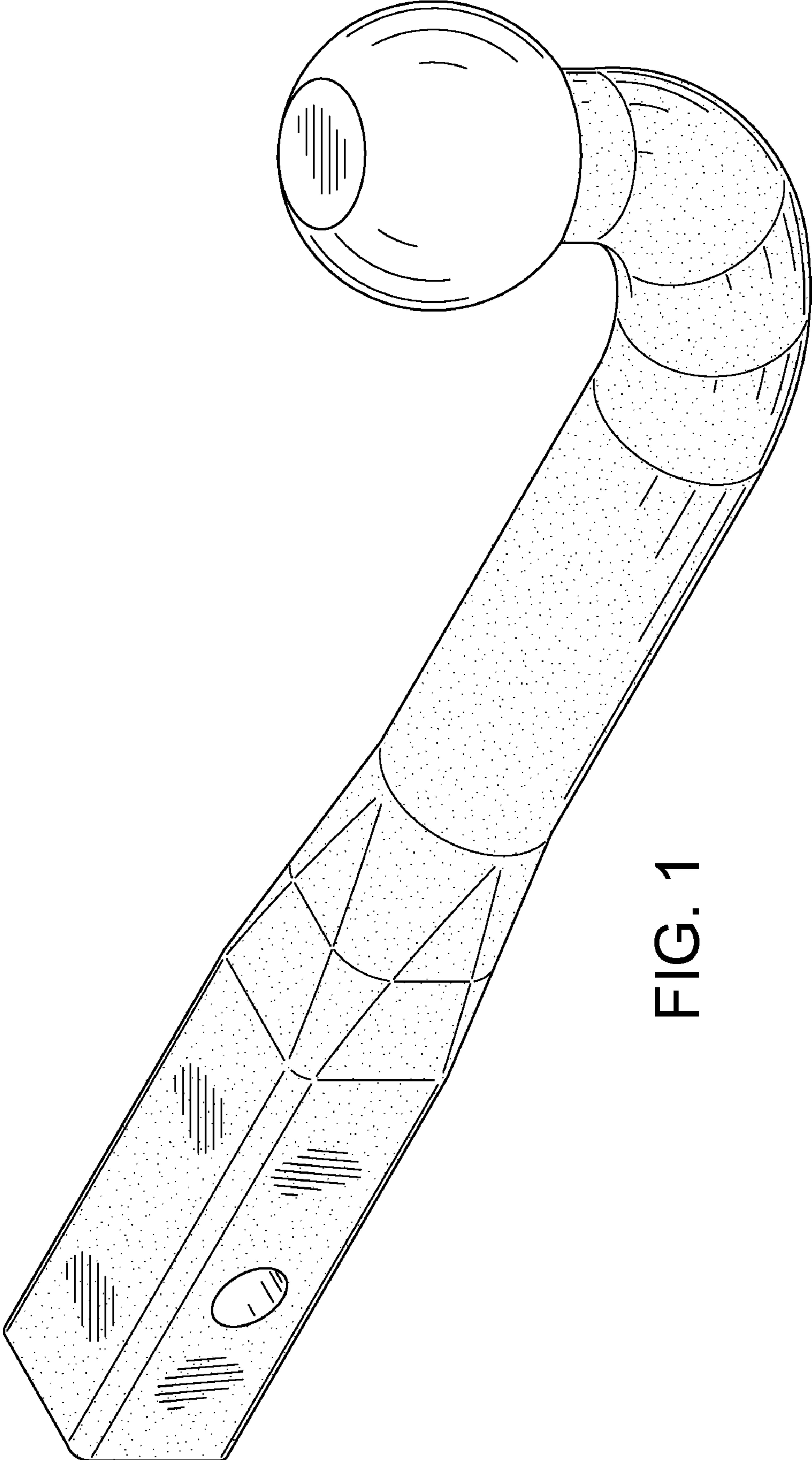


FIG. 1

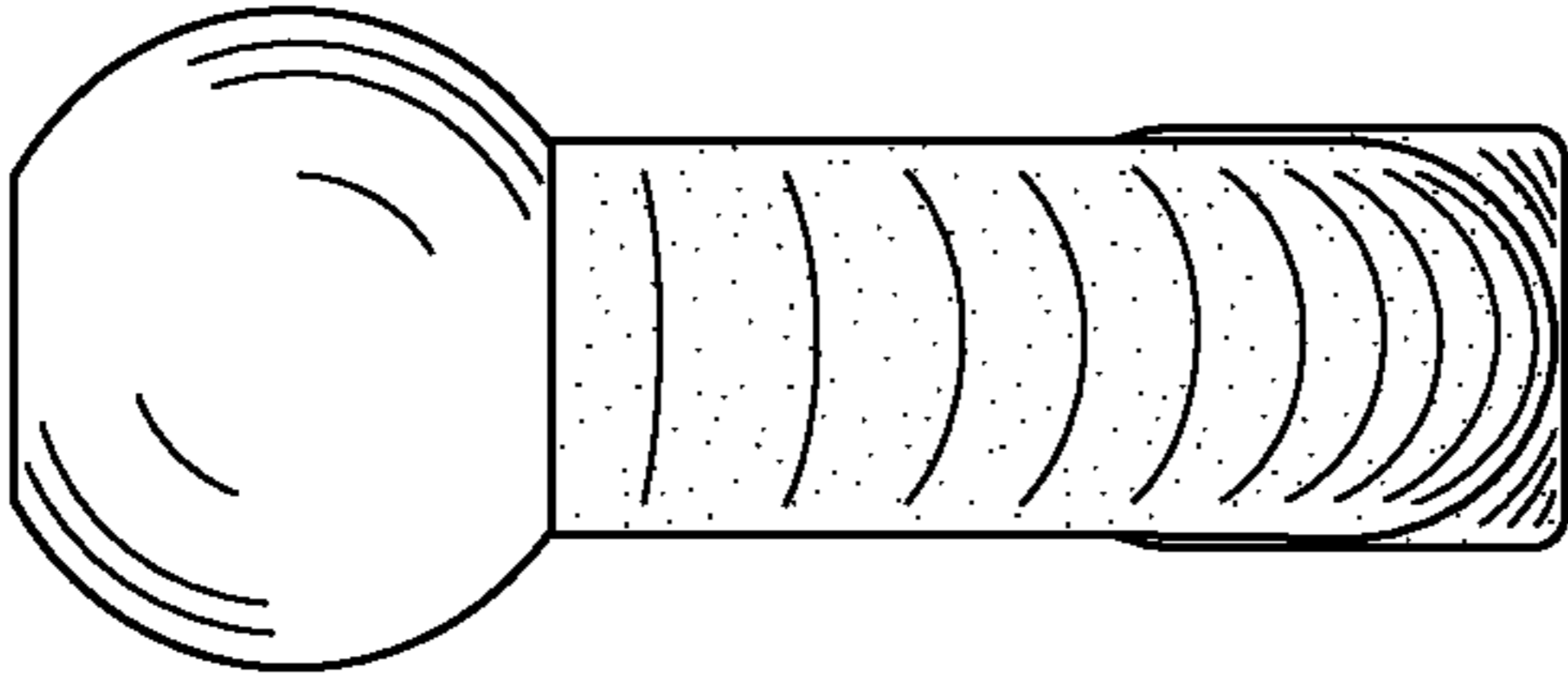


FIG. 4

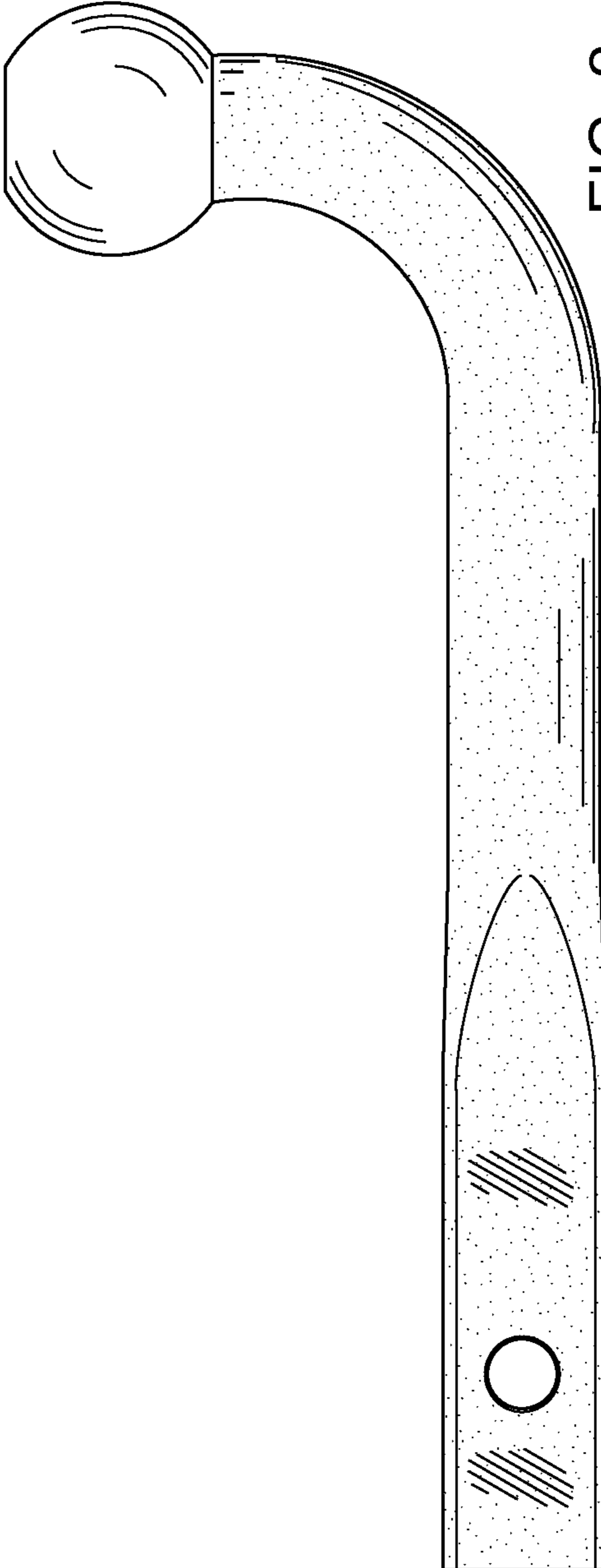


FIG. 2

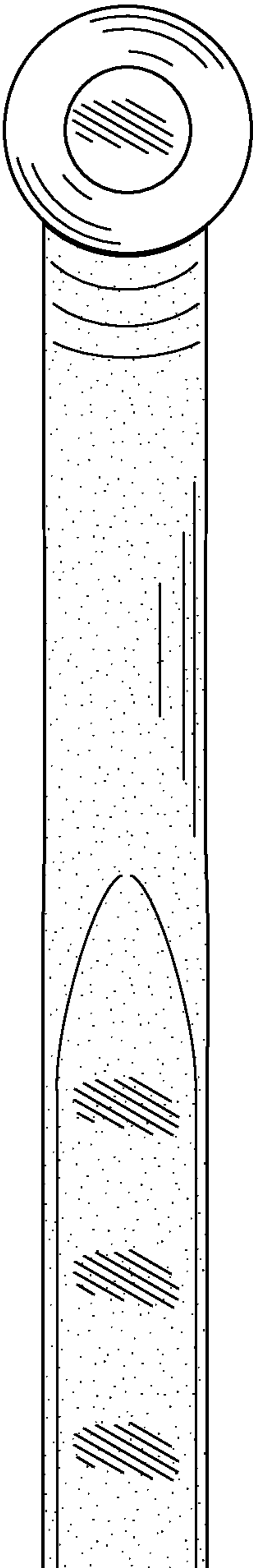


FIG. 3

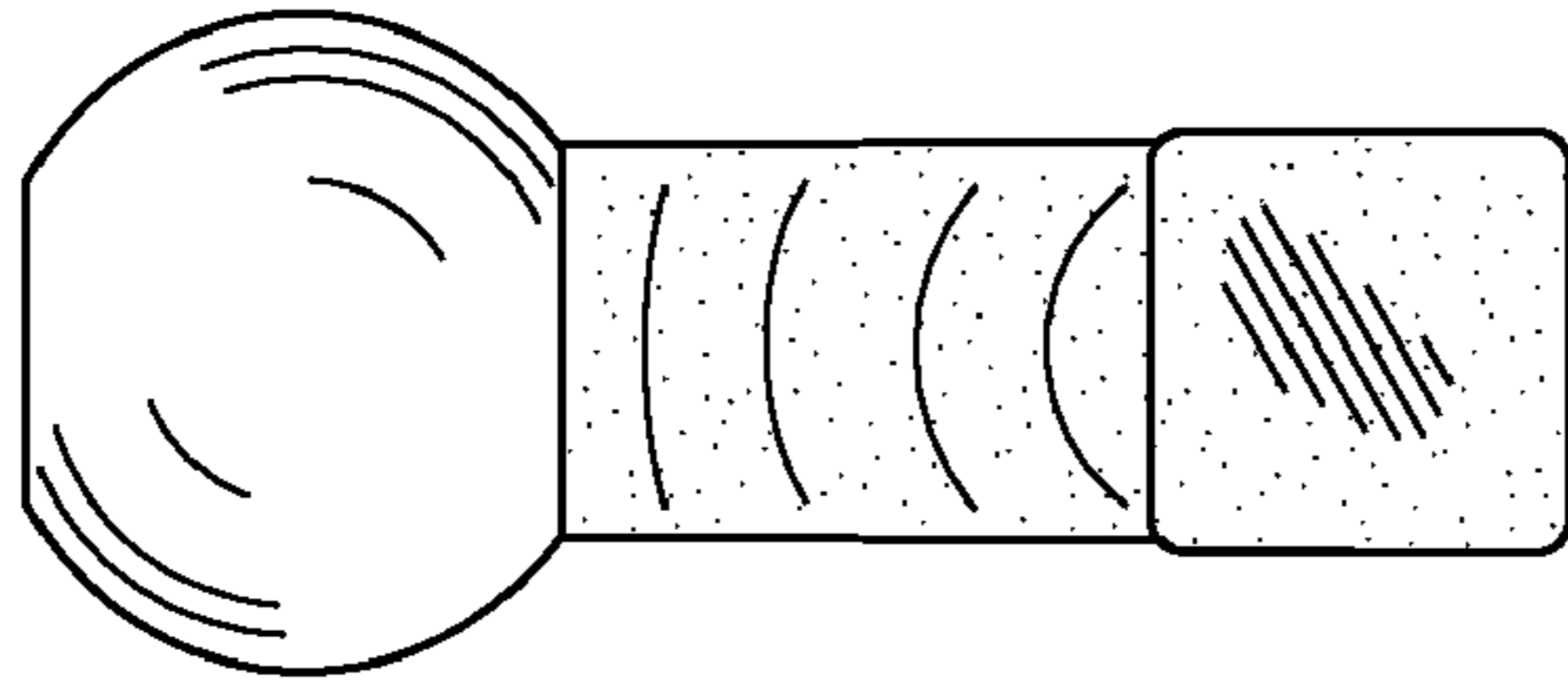


FIG. 7

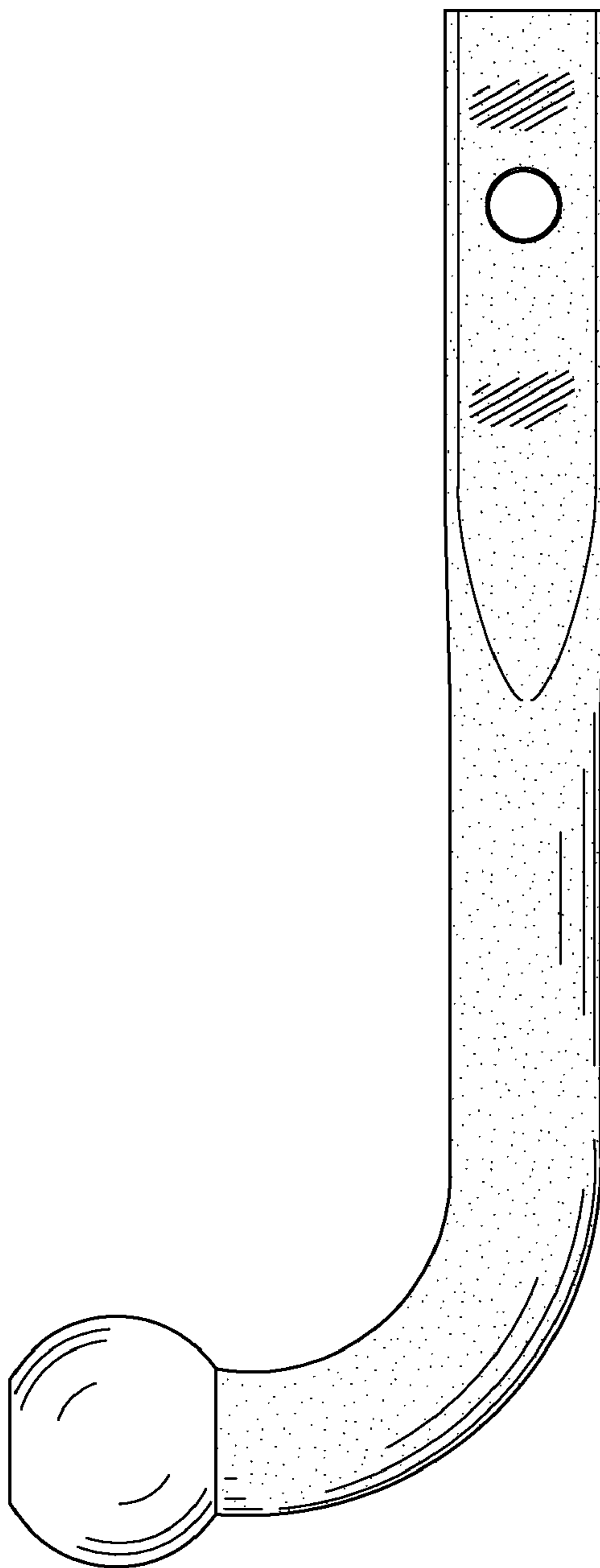


FIG. 5

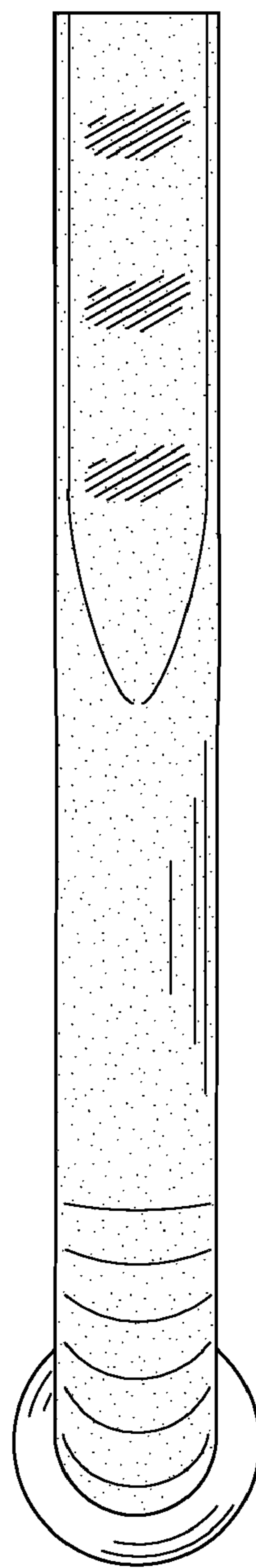


FIG. 6



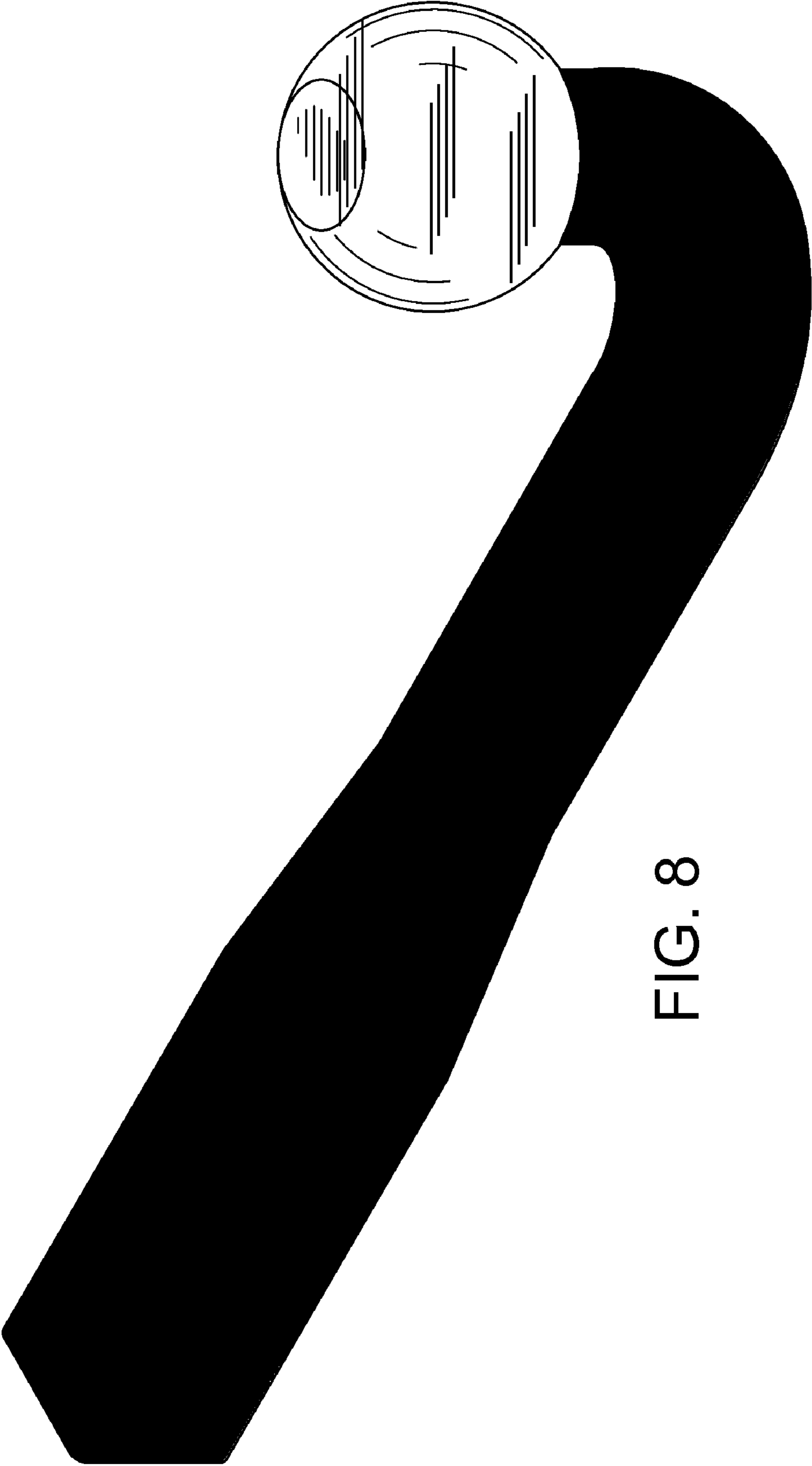


FIG. 8