



US00D623560S

(12) **United States Design Patent**  
**Musuraca**

(10) **Patent No.:** **US D623,560 S**

(45) **Date of Patent:** **\*\* Sep. 14, 2010**

(54) **CRUSH COLLAR**

(75) Inventor: **John V. Musuraca**, Mason, OH (US)

(73) Assignee: **Ratech**, Cincinnati, OH (US)

(\*\*) Term: **14 Years**

(21) Appl. No.: **29/343,308**

(22) Filed: **Sep. 10, 2009**

(51) **LOC (9) Cl.** ..... **12-16**

(52) **U.S. Cl.** ..... **D12/160**

(58) **Field of Classification Search** ..... D12/160,  
D12/199; D8/382, 385, 393, 396; 285/382.5;  
279/19.6-19.7; 411/30, 44, 60.1, 65, 260,  
411/270; 277/600, 607

See application file for complete search history.

(56) **References Cited**

**U.S. PATENT DOCUMENTS**

D34,031 S *	2/1901	Milligan	.....	D8/385
2,101,130 A	12/1937	Christman		
D257,949 S *	1/1981	Strom	.....	D8/396
4,486,002 A	12/1984	Riess et al.		
4,790,586 A *	12/1988	Stoner, Jr.	.....	294/57
D329,013 S *	9/1992	Stoner, Jr.	.....	D8/395
5,549,397 A	8/1996	Rode		

5,785,434 A	7/1998	Rode		
5,921,700 A *	7/1999	Haver et al.	.....	403/371
6,019,182 A *	2/2000	Rountree et al.	.....	175/325.2
6,793,398 B2	9/2004	Nahrwold et al.		
6,824,489 B2	11/2004	Jacob et al.		
7,350,831 B2 *	4/2008	Shimizu	.....	285/334.5
2009/0275985 A1 *	11/2009	Jackson	.....	606/264

\* cited by examiner

*Primary Examiner*—T. Chase Nelson

*Assistant Examiner*—Michael A Pratt

(74) *Attorney, Agent, or Firm*—Wood, Herron & Evans LLP

(57) **CLAIM**

The ornamental design for a crush collar, as shown and described.

**DESCRIPTION**

FIG. 1 is a perspective view of my new, original and ornamental design for a crush collar;

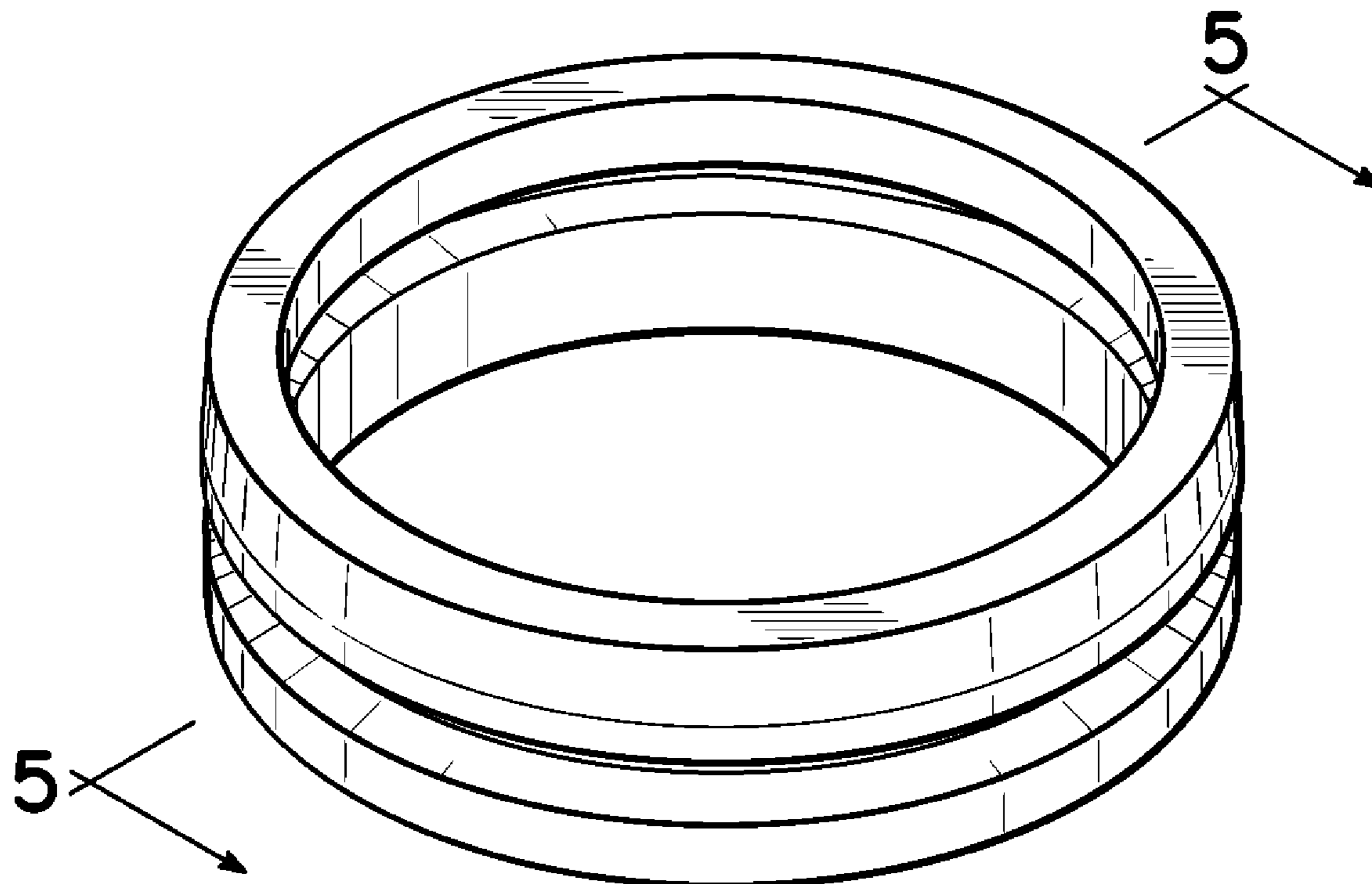
FIG. 2 is a front view thereof;

FIG. 3 is a top view thereof;

FIG. 4 is a bottom view thereof; and,

FIG. 5 is a front section view through line 5—5 of FIG. 1.

**1 Claim, 1 Drawing Sheet**



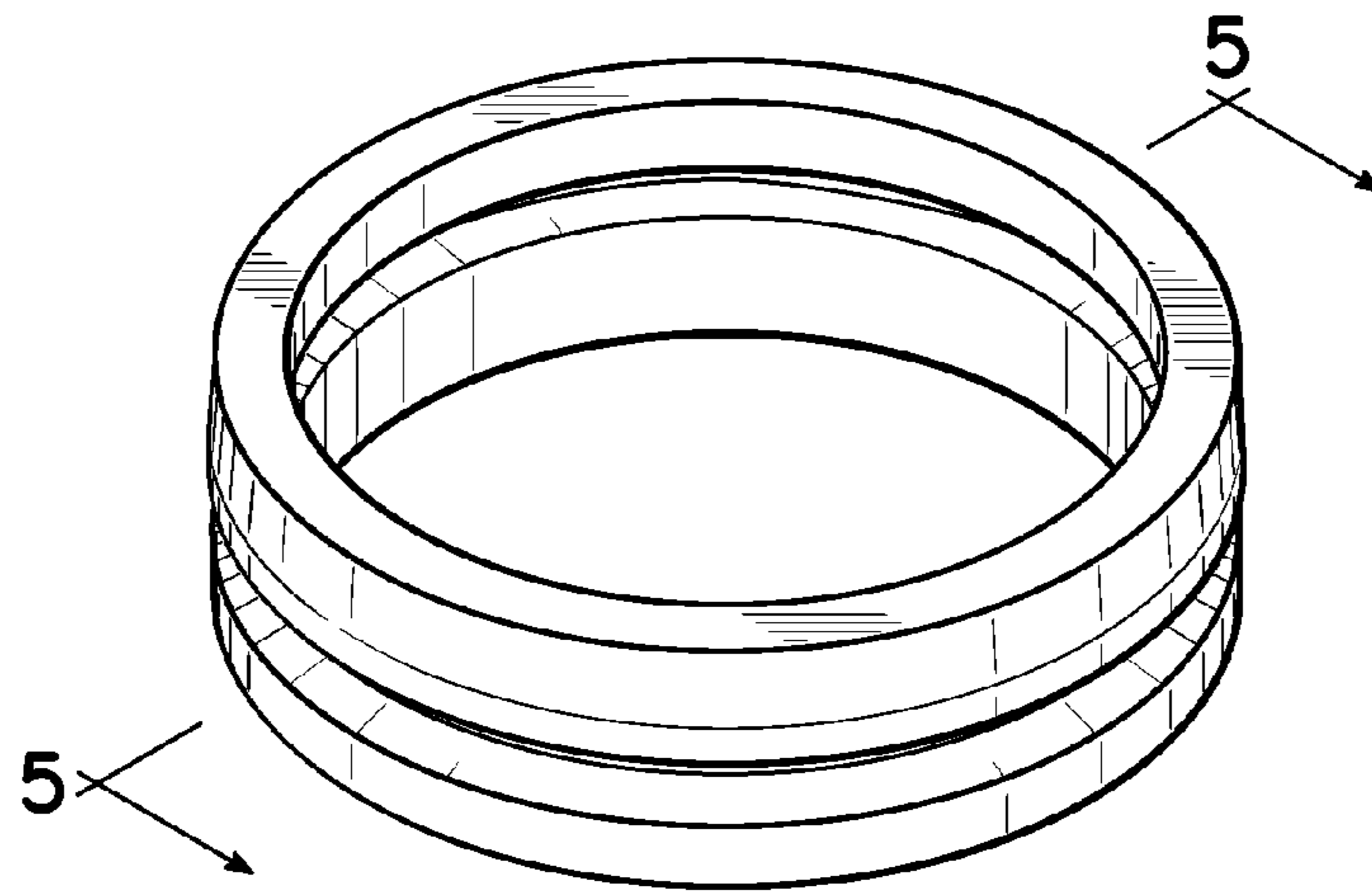


FIG. 1

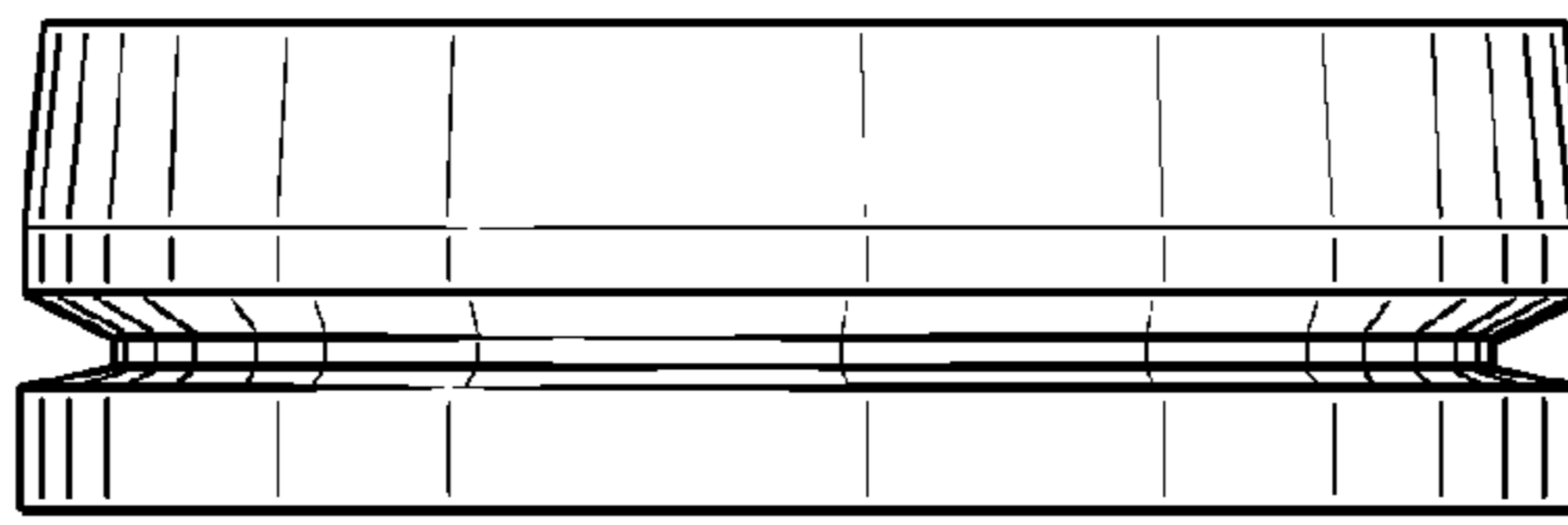


FIG. 2

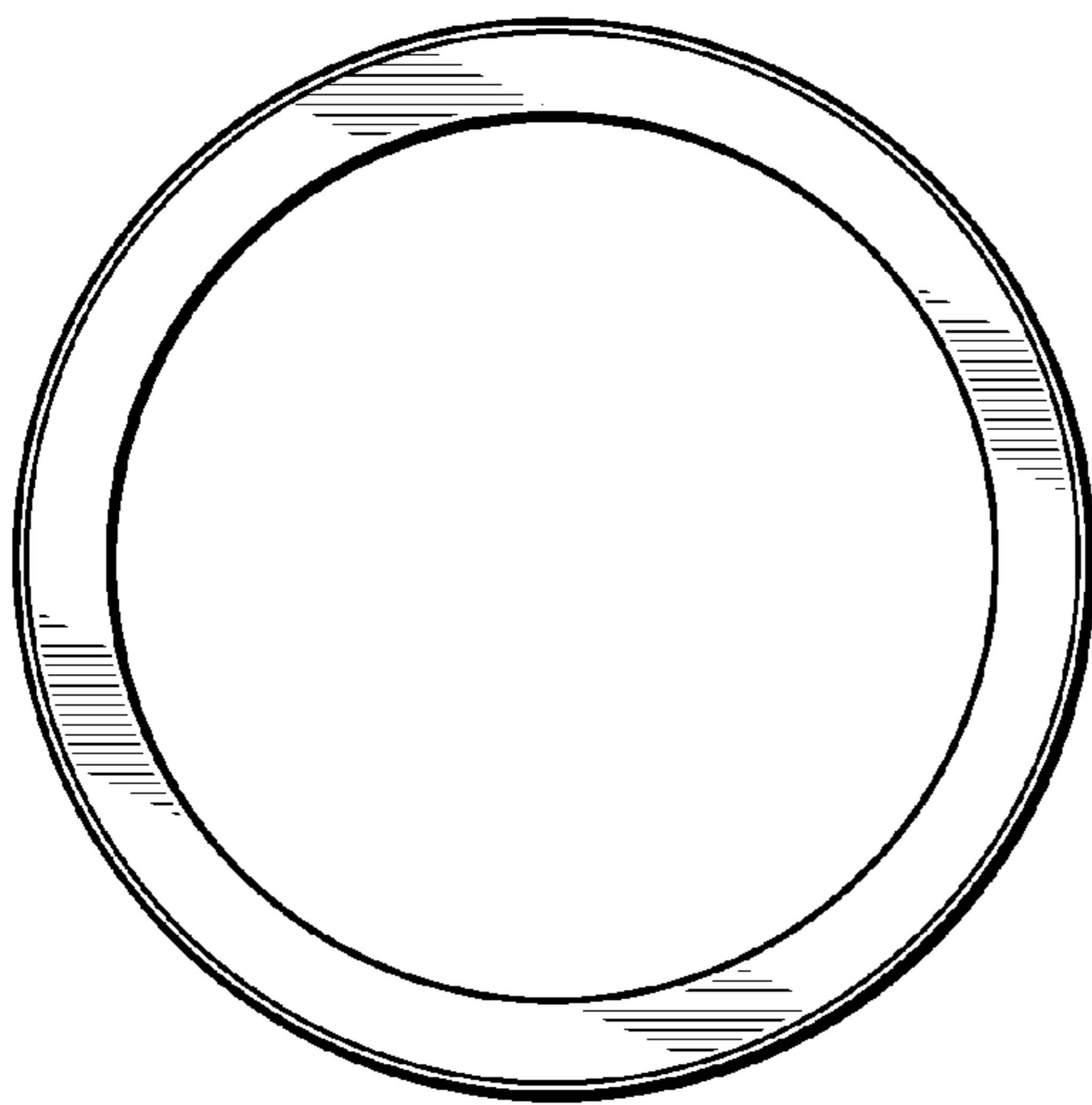


FIG. 3

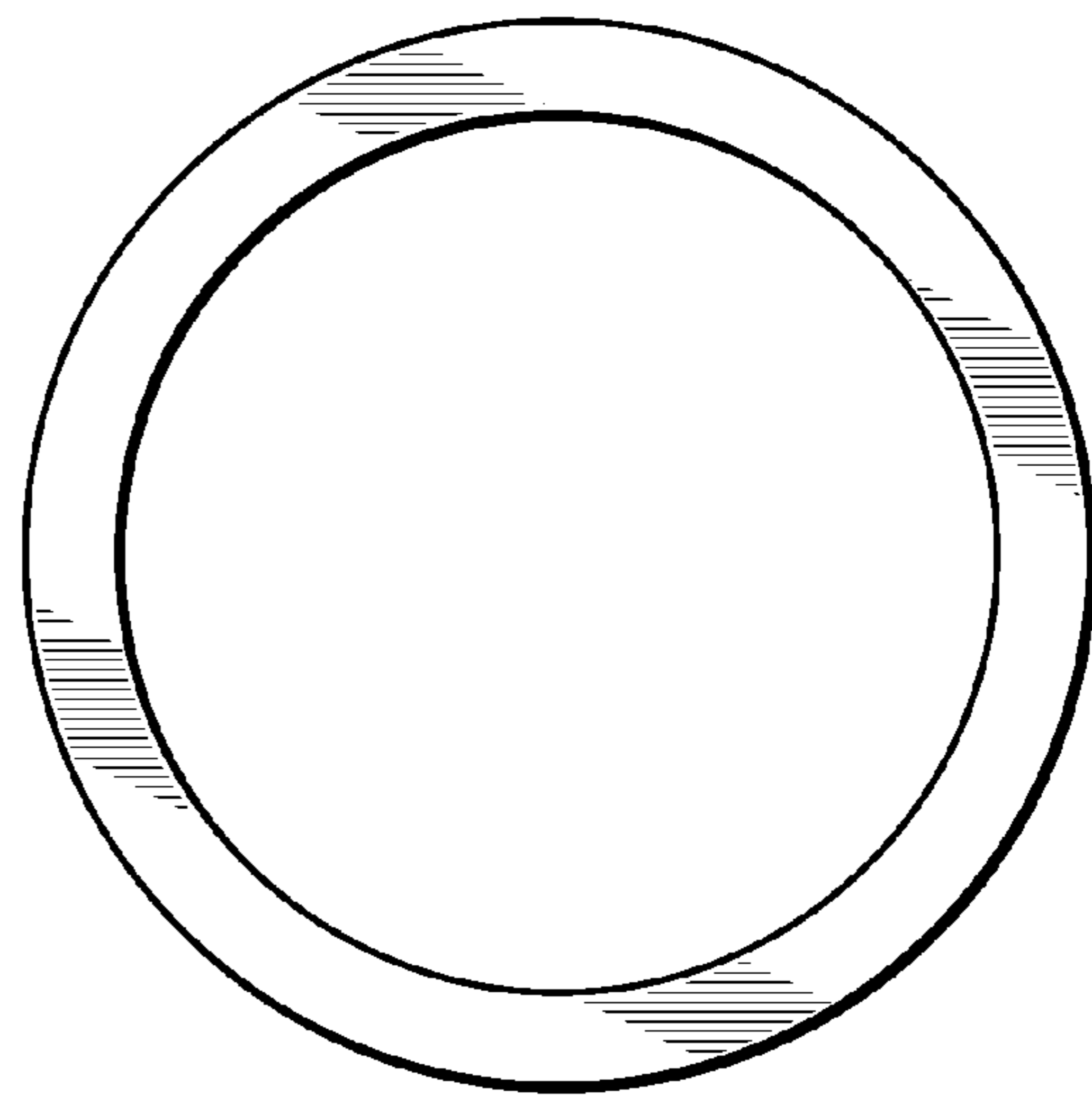


FIG. 4

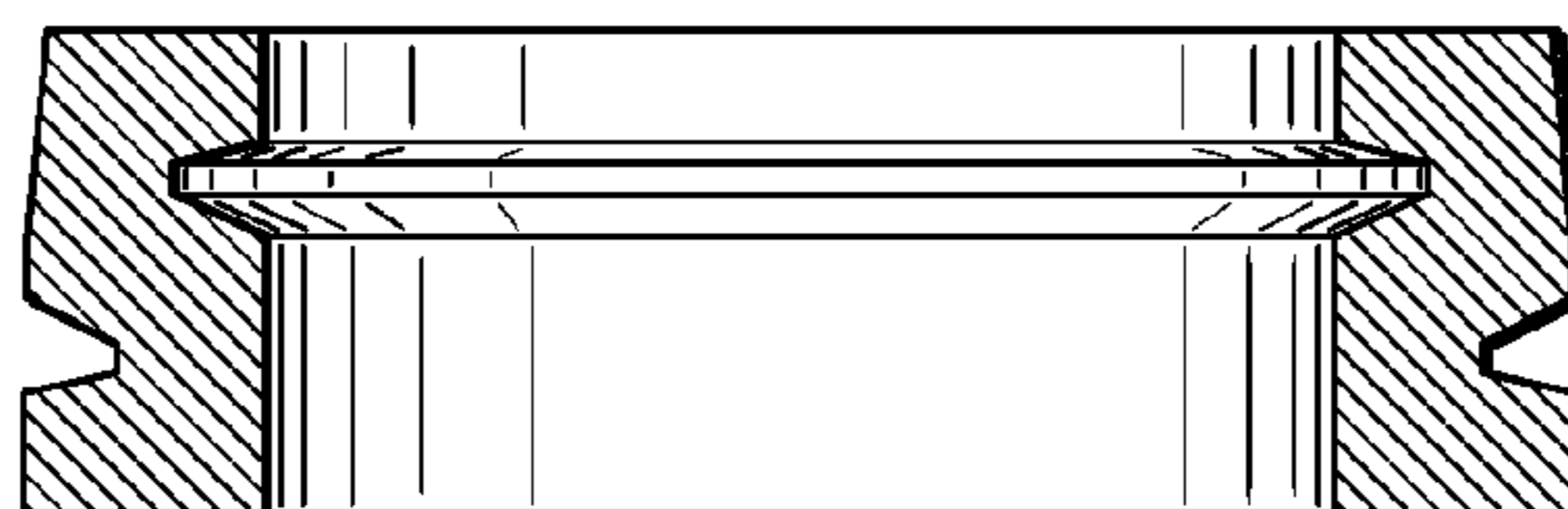


FIG. 5