



US00D623559S

(12) **United States Design Patent**
Yamamoto et al.

(10) **Patent No.:** **US D623,559 S**
(45) **Date of Patent:** **** Sep. 14, 2010**

(54) **WALKING SUPPORT STICK WITH WHEELS**

(75) Inventors: **Taketo Yamamoto**, Tokyo (JP);
Yasufumi Ushio, Tokyo (JP); **Michiko Nishibayashi**, Tokyo (JP); **Tsunetaro Ito**, Nagano (JP)

(73) Assignee: **Takano Co., Ltd.**, Nagano (JP)

(**) Term: **14 Years**

(21) Appl. No.: **29/337,054**

(22) Filed: **May 14, 2009**

(30) **Foreign Application Priority Data**

Feb. 20, 2009 (JP) 2009-3569
Feb. 20, 2009 (JP) 2009-3570

(51) **LOC (9) Cl.** **12-12**

(52) **U.S. Cl.** **D12/130**

(58) **Field of Classification Search** D12/128-133;
280/62, 647-650, 29, 200, 47.38, 250.1,
280/259, 642, 658; 297/DIG. 4; 296/65.03,
296/65.04; 224/209; 414/921; 135/65-67,
135/74

See application file for complete search history.

(56) **References Cited**

U.S. PATENT DOCUMENTS

1,494,508 A * 5/1924 Smith 135/85
2,249,123 A * 7/1941 Fleck et al. 280/645
4,962,781 A * 10/1990 Kanbar 135/65
5,188,138 A * 2/1993 Yamasaki et al. 135/65
5,197,753 A * 3/1993 Liu 280/642
D363,904 S * 11/1995 Stone D12/130
5,588,457 A * 12/1996 Tartaglia 135/85
6,217,056 B1 * 4/2001 Tsuchie 280/639
6,338,355 B1 * 1/2002 Cheng 135/67
6,708,705 B2 * 3/2004 Nasco, Sr. 135/85
D521,720 S * 5/2006 Karasin et al. D3/7
7,597,334 B2 * 10/2009 Chen 280/87.041

* cited by examiner

Primary Examiner—Ian Simmons

Assistant Examiner—Charles D Hanson

(74) *Attorney, Agent, or Firm*—Notaro, Michalos & Zaccaria P.C.

(57) **CLAIM**

The ornamental design for a walking support stick with wheels, as shown and described.

DESCRIPTION

FIG. 1 is a front top right perspective view of a walking support stick with wheels, showing our new design therefore;

FIG. 2 is a front elevational view thereof;

FIG. 3 is a rear elevational view thereof;

FIG. 4 is a right side elevational view thereof;

FIG. 5 is a left side elevational view thereof;

FIG. 6 is a top plan view thereof;

FIG. 7 is a bottom plan view thereof;

FIG. 8 is a front top right perspective view thereof when the frame is folded;

FIG. 9 is a front elevational view thereof when the frame is folded;

FIG. 10 is a rear elevational view thereof when the frame is folded;

FIG. 11 is a right side elevational view thereof when the frame is folded;

FIG. 12 is a left side elevational view thereof when the frame is folded;

FIG. 13 is a top plan view thereof when the frame is folded;

FIG. 14 is a bottom plan view thereof when the frame is folded;

FIG. 15 is a view similar to FIG. 1 of a second embodiment of the design;

FIG. 16 is a front elevational view of the second embodiment;

FIG. 17 is a rear elevational view of the second embodiment;

FIG. 18 is a right side elevational view of the second embodiment;

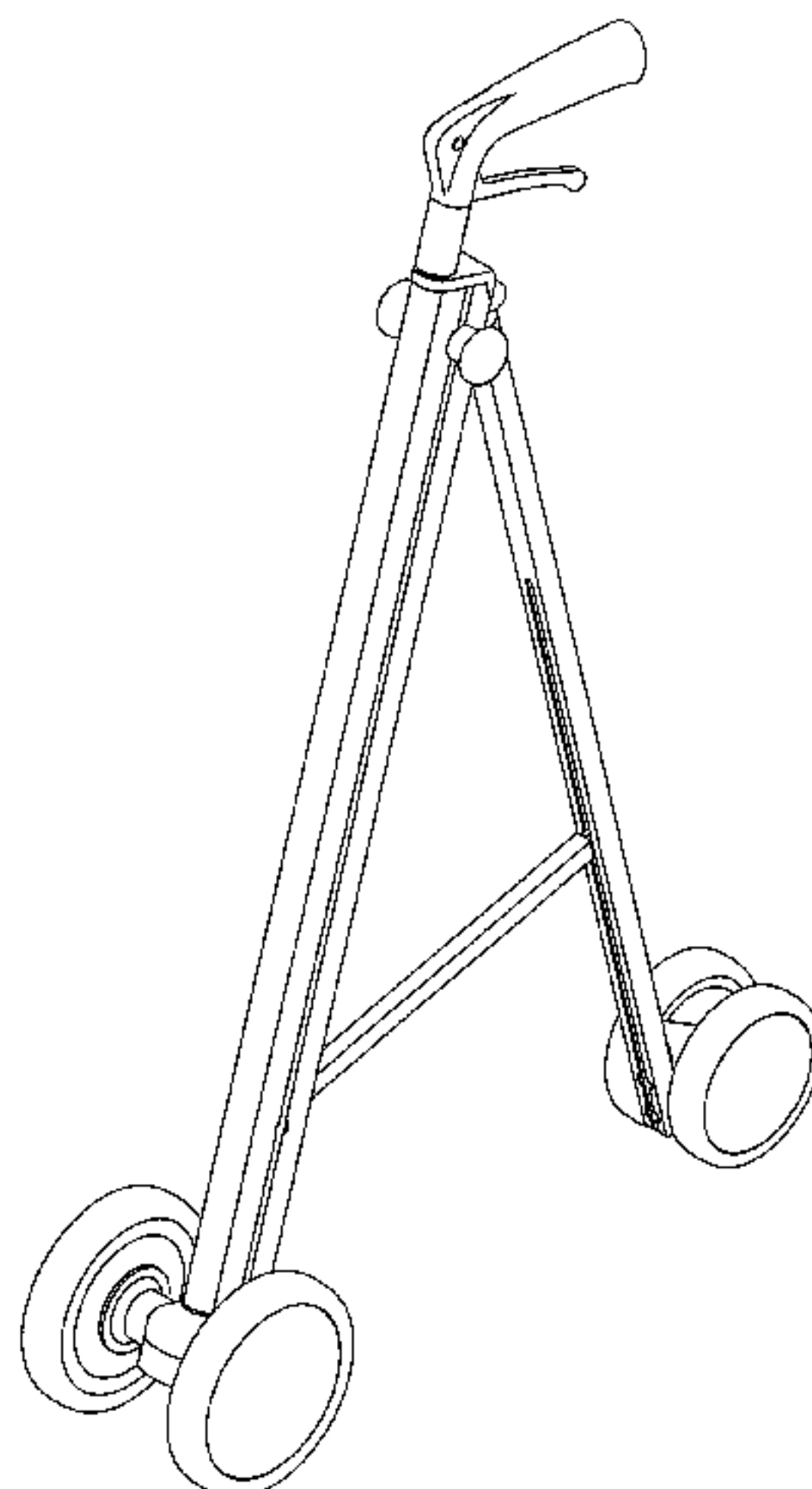


FIG. **19** is a left side elevational view of the second embodiment;

FIG. **20** is a top plan view of the second embodiment;

FIG. **21** is a bottom plan view of the second embodiment;

FIG. **22** is a front top right perspective view of the second embodiment when the frame is folded;

FIG. **23** is a front elevational view of the second embodiment when the frame is folded;

FIG. **24** is a rear elevational view of the second embodiment when the frame is folded;

FIG. **25** is a right side elevational view of the second embodiment when the frame is folded;

FIG. **26** is a left side elevational view of the second embodiment when the frame is folded;

FIG. **27** is a top plan view of the second embodiment when the frame is folded; and,

FIG. **28** is a bottom plan view of the second embodiment when the frame is folded.

1 Claim, 28 Drawing Sheets

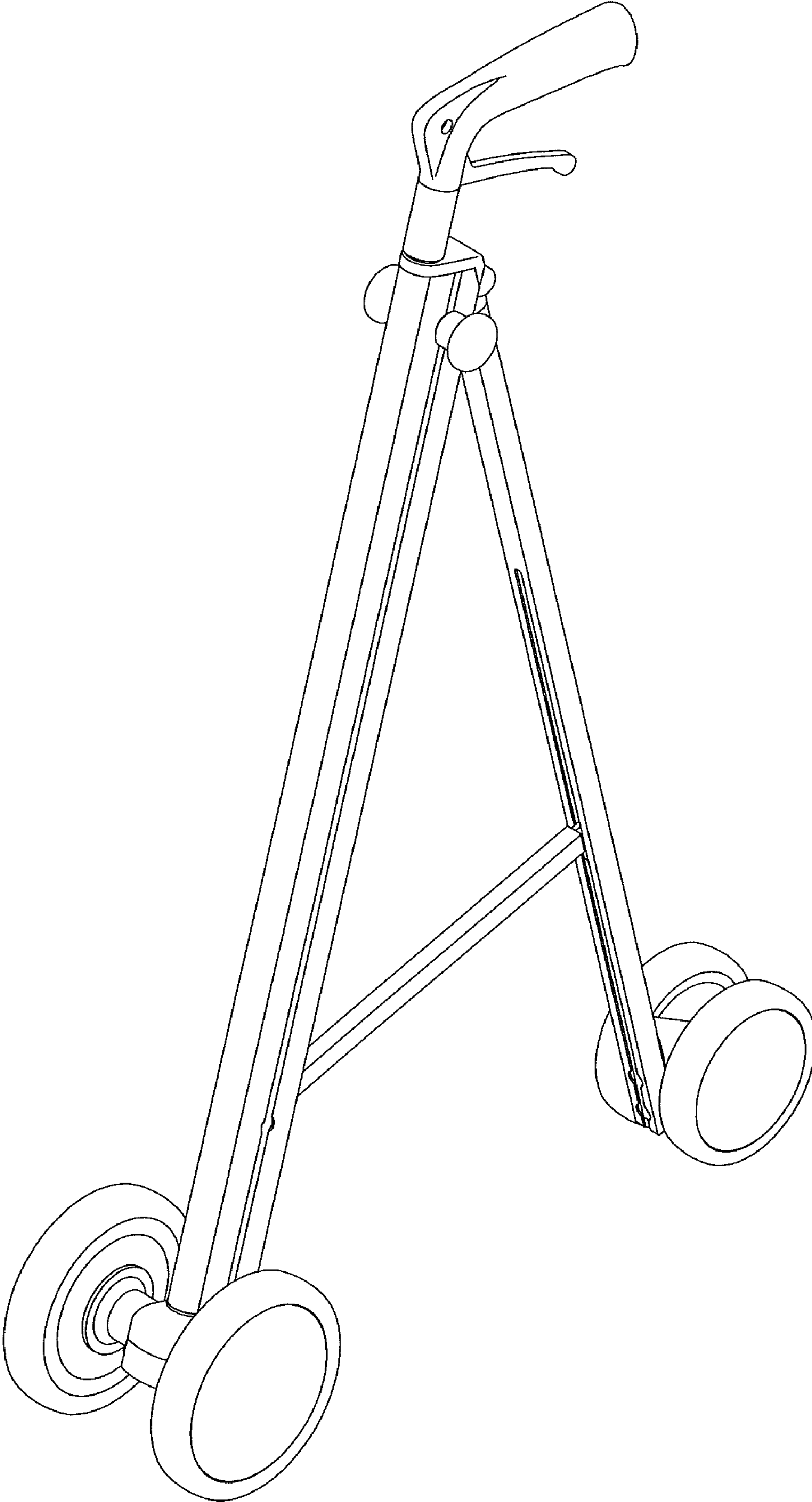


FIG. 1

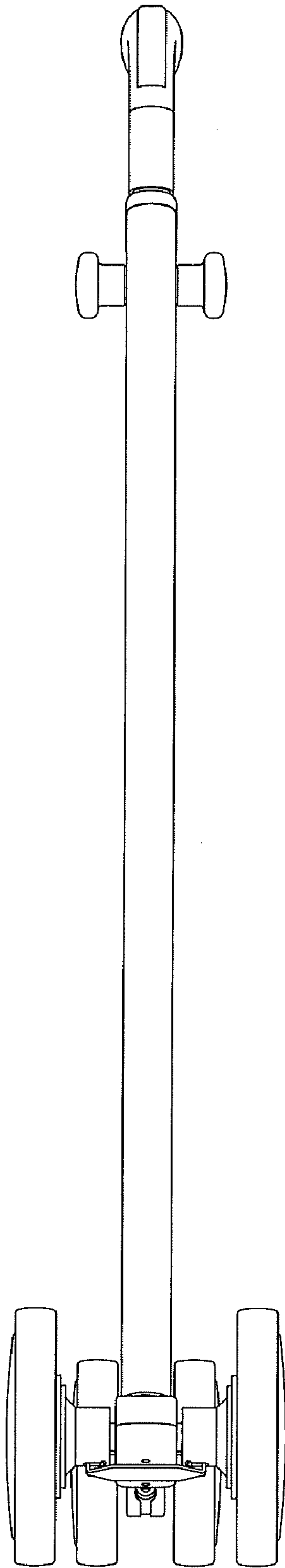


FIG. 2

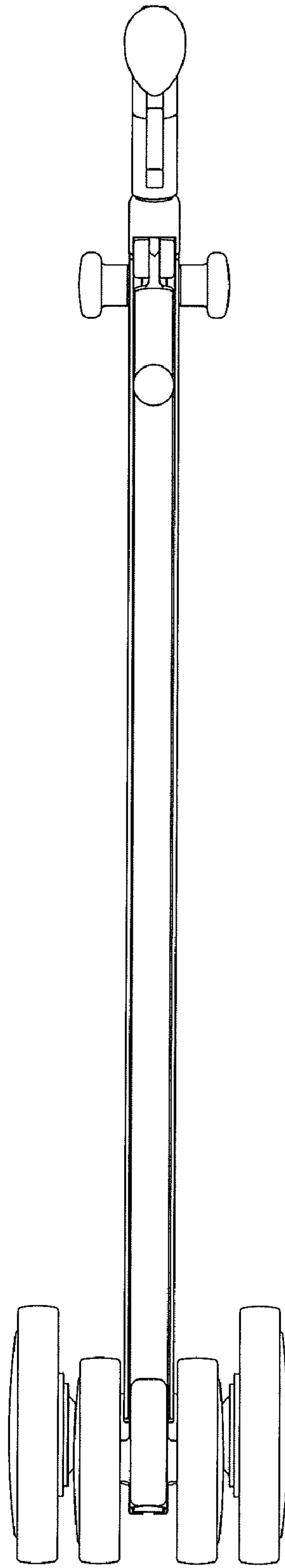


FIG. 3

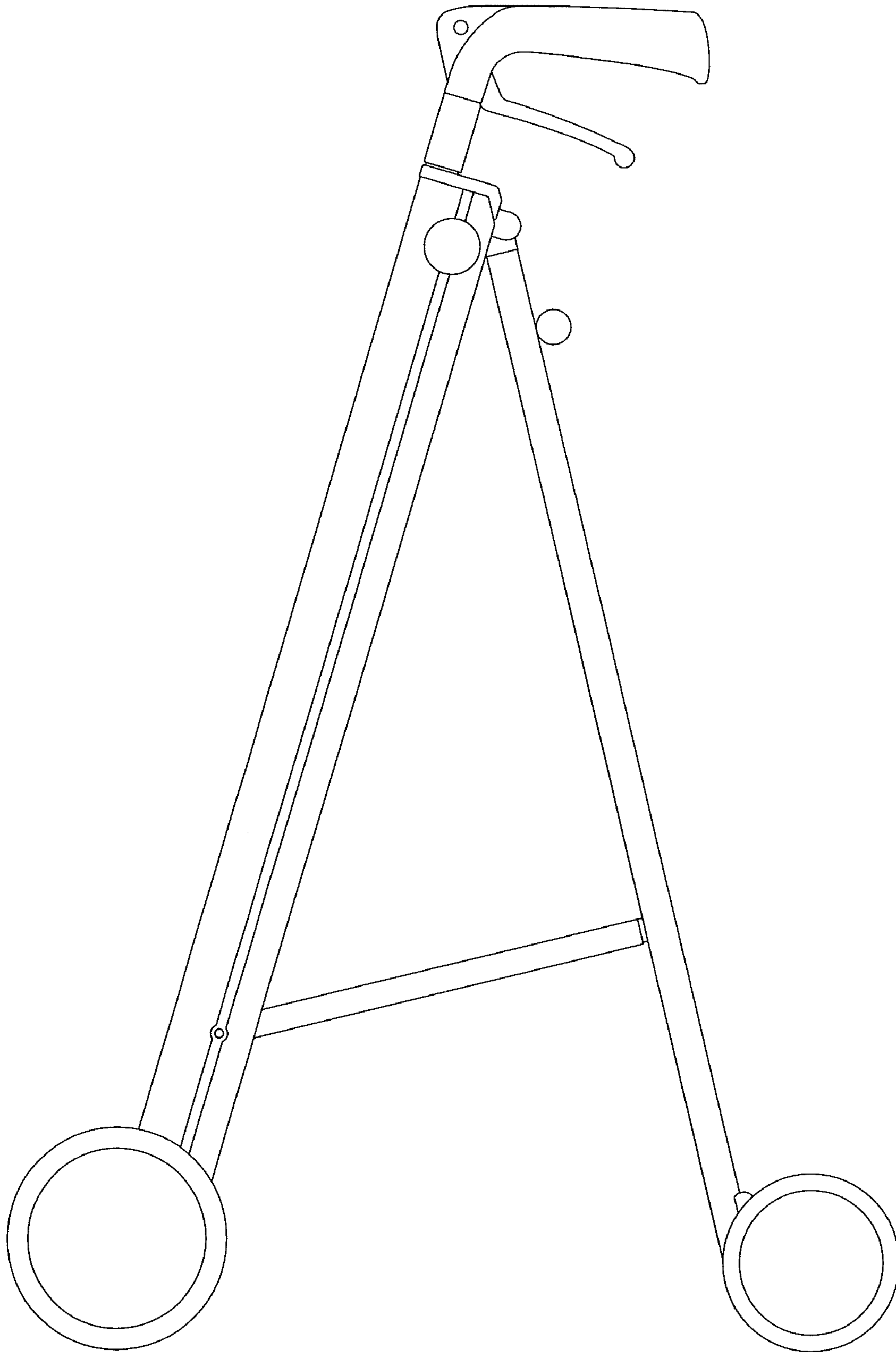


FIG. 4

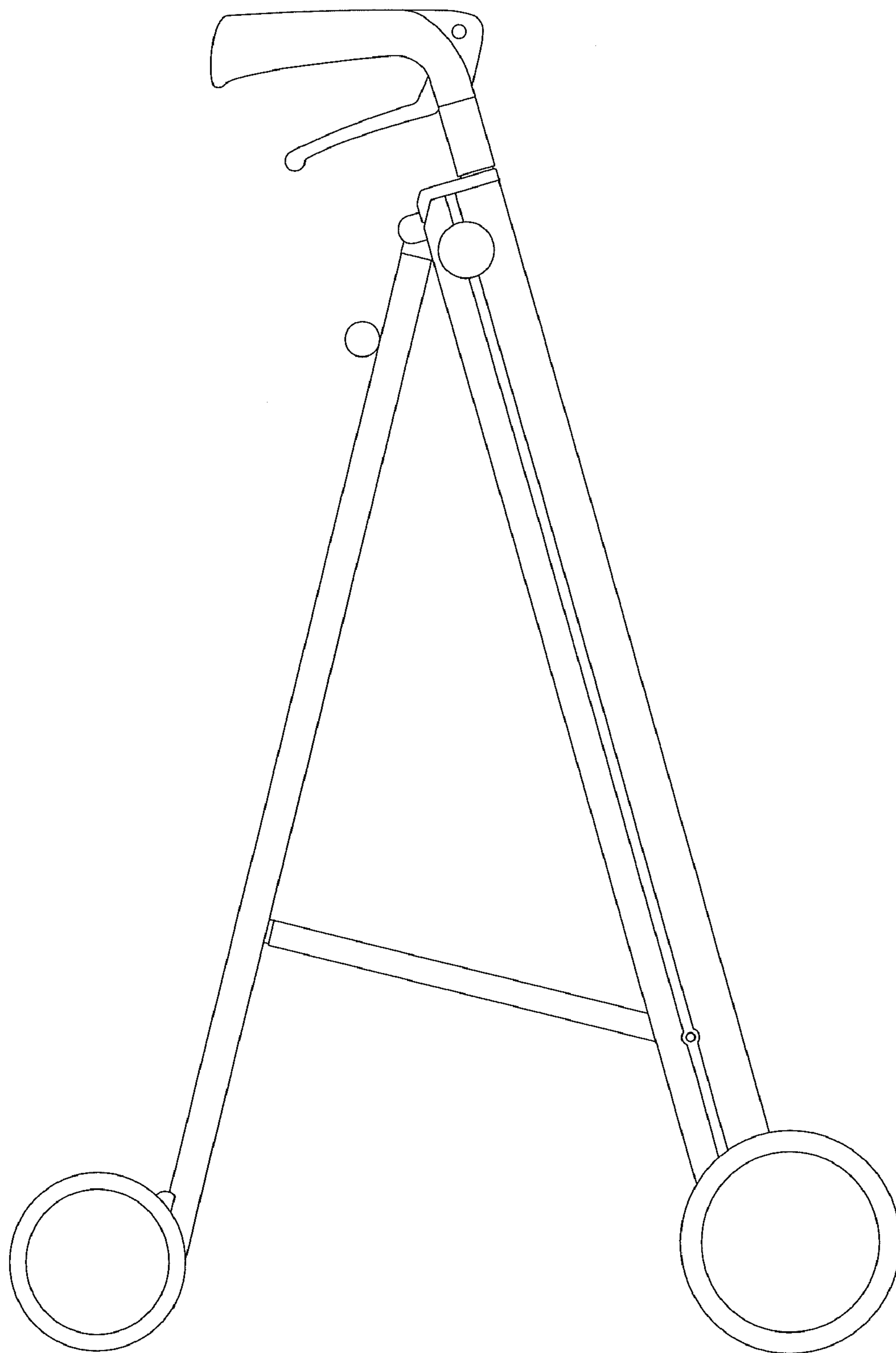


FIG. 5

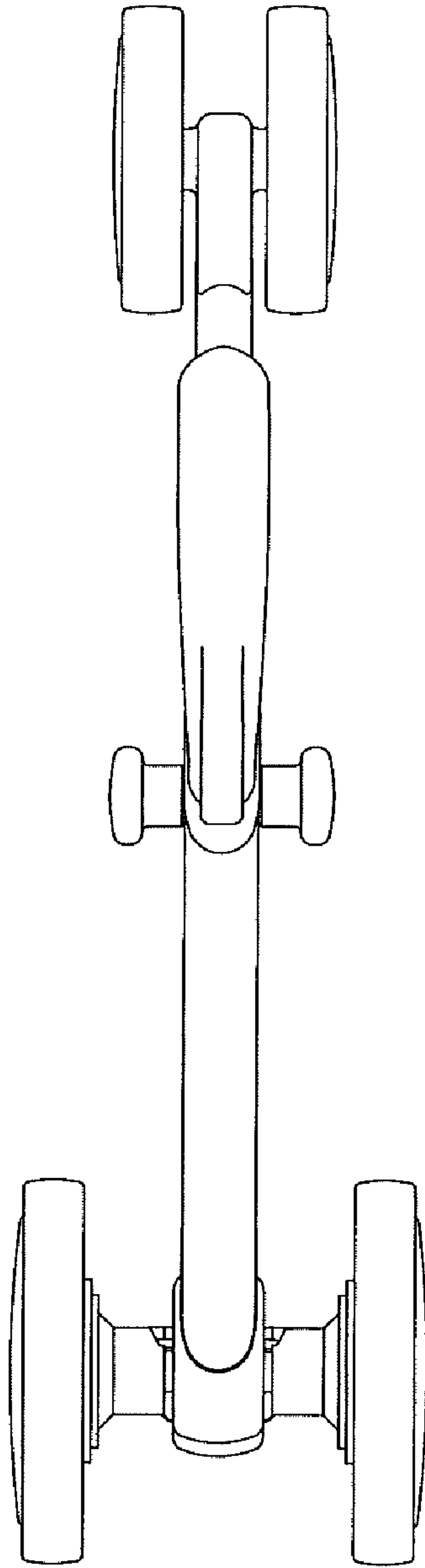


FIG. 6

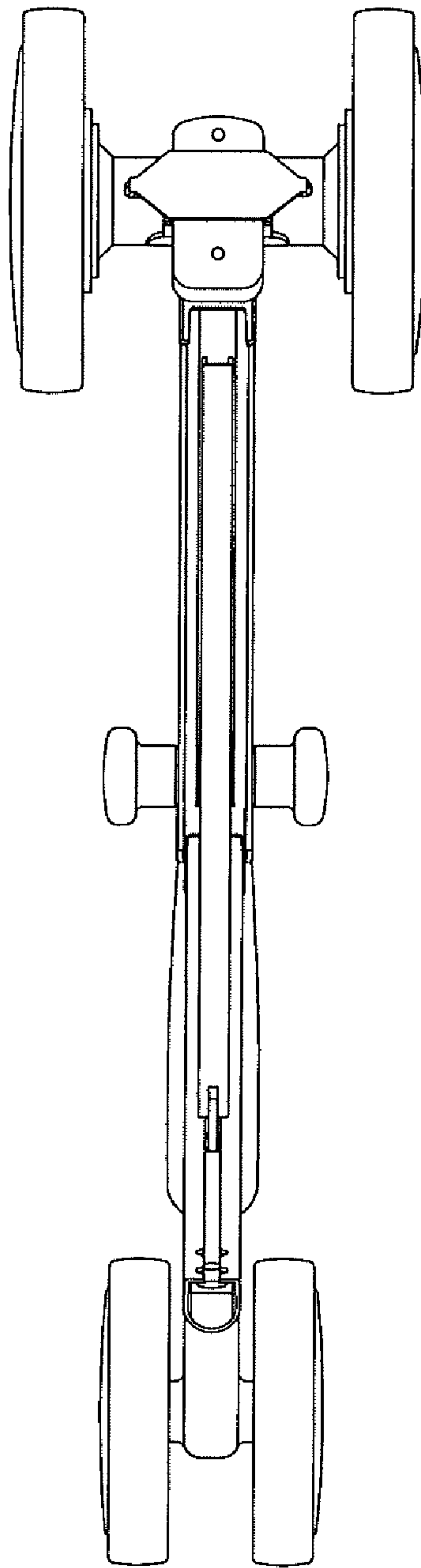


FIG. 7

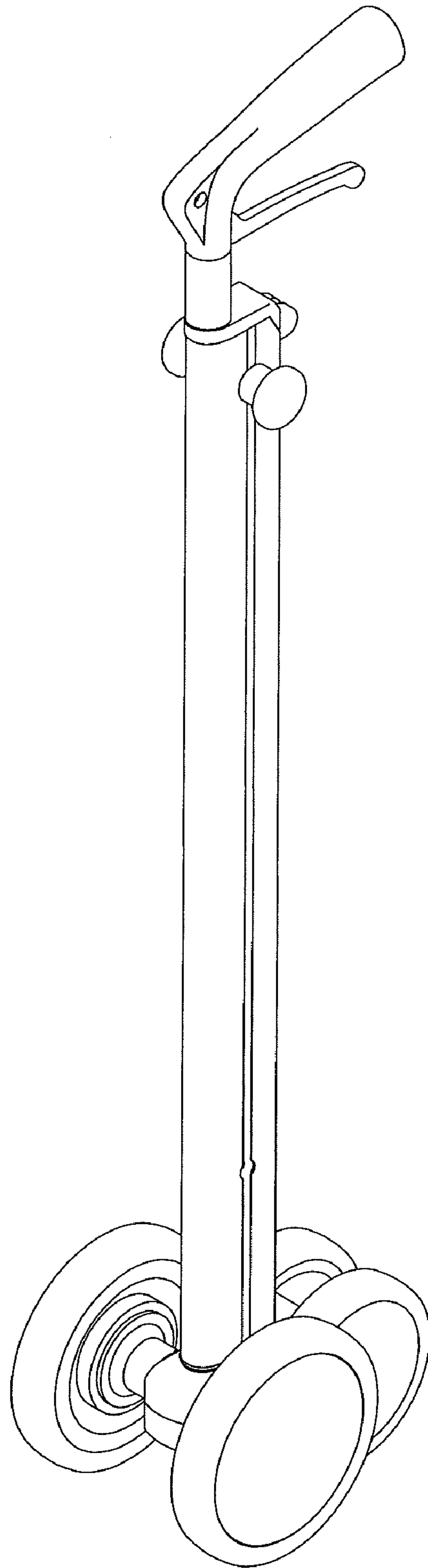


FIG. 8

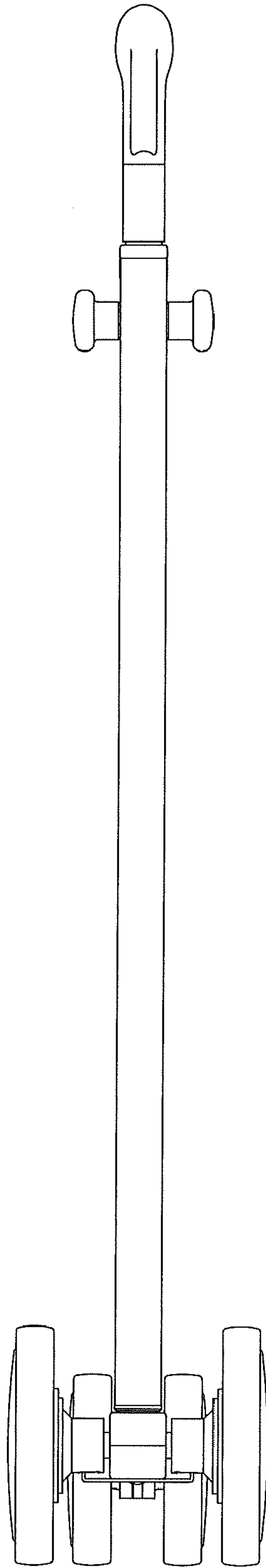


FIG. 9

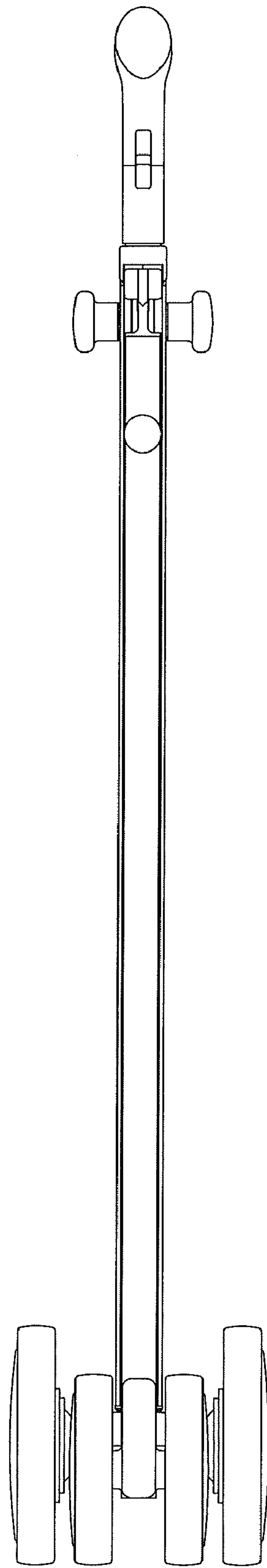


FIG. 10

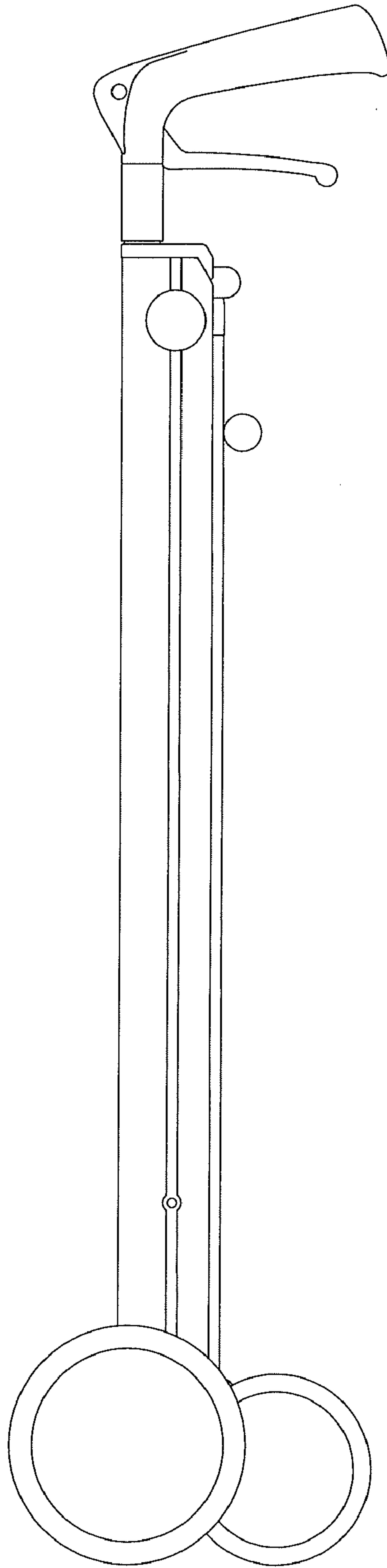


FIG. 11

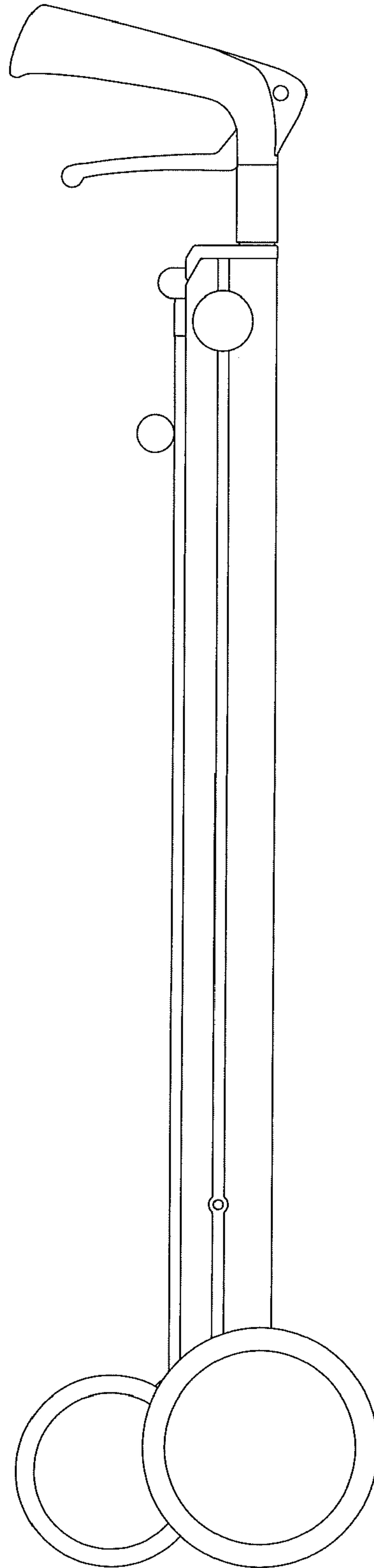


FIG. 12

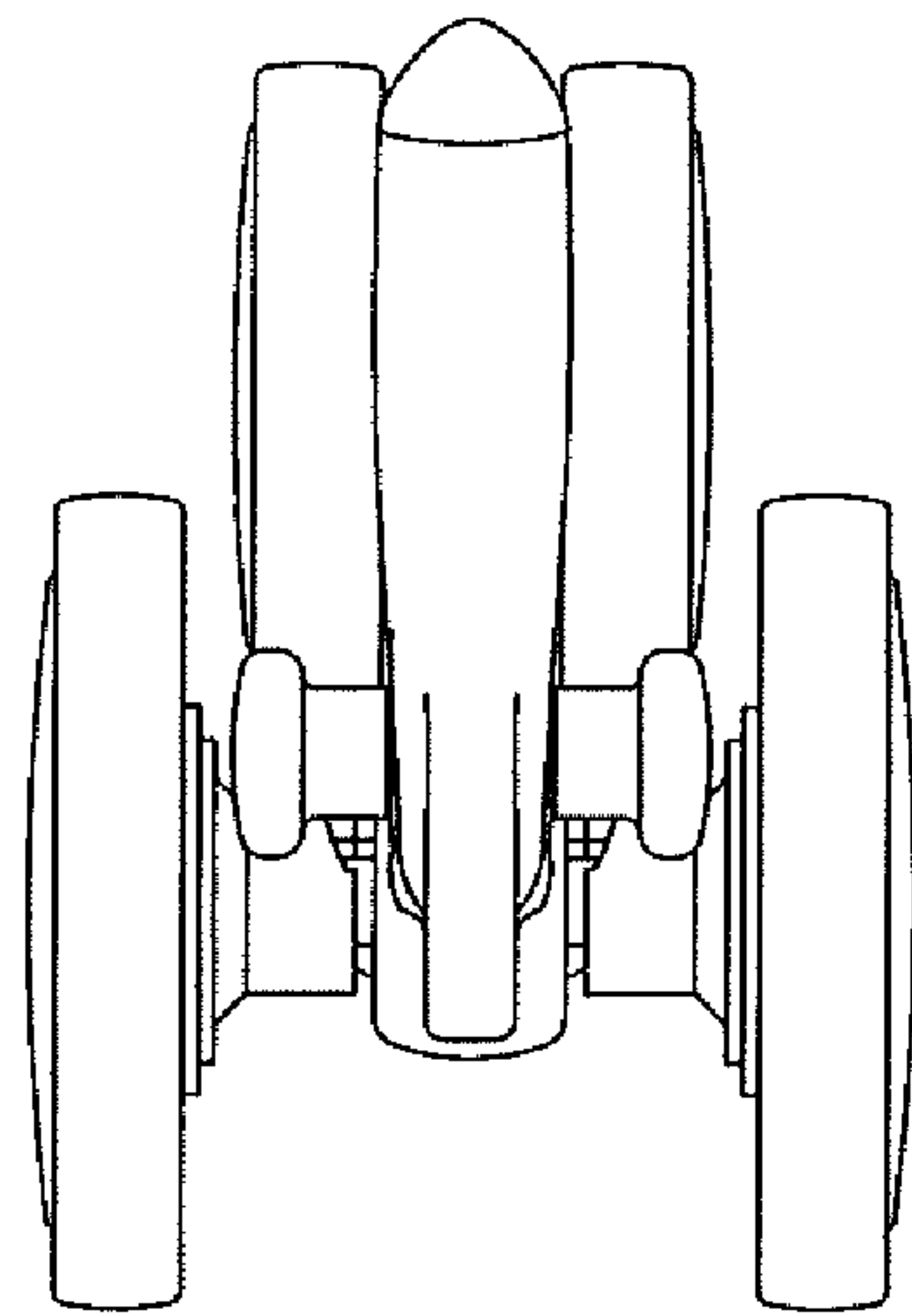


FIG. 13

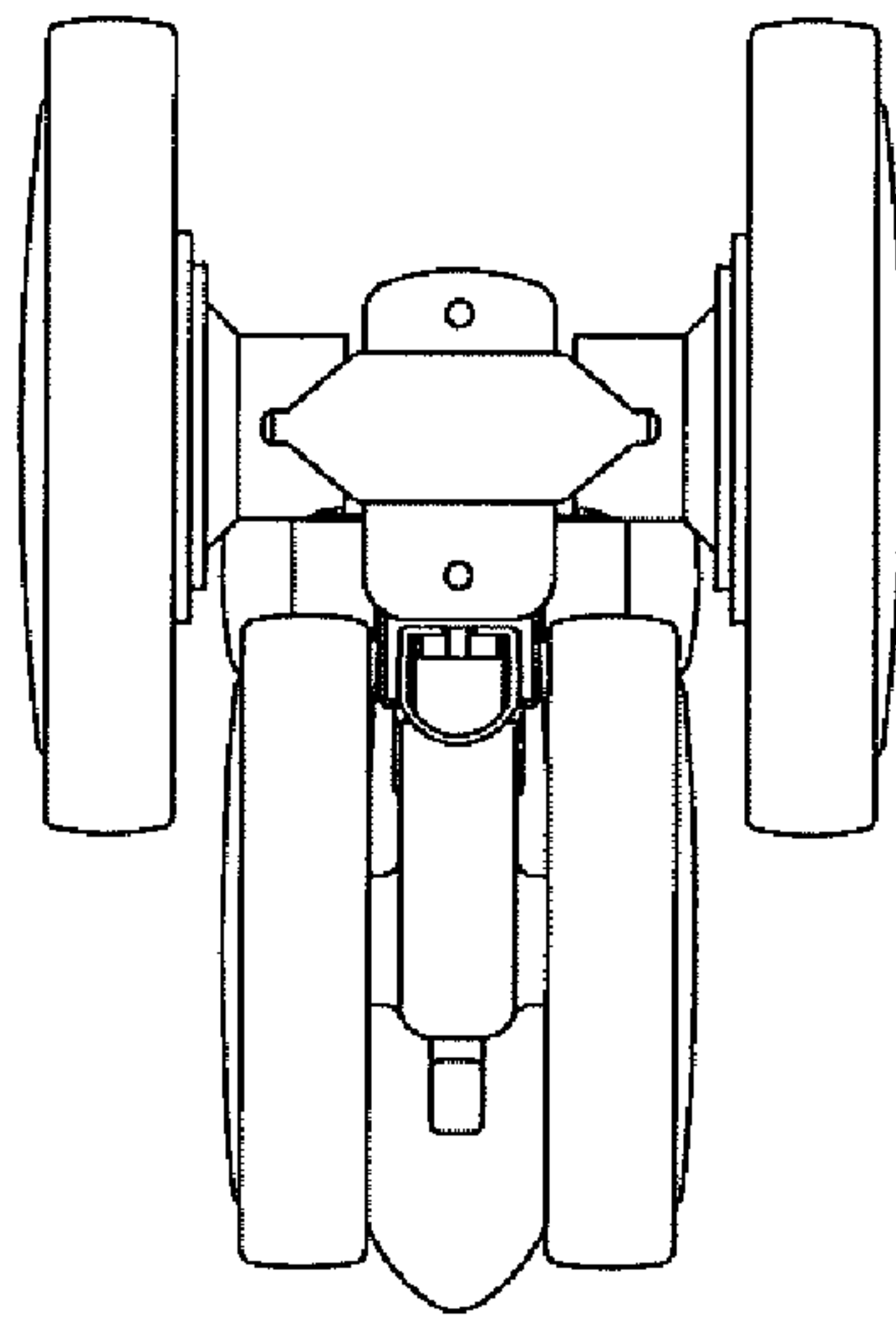


FIG. 14

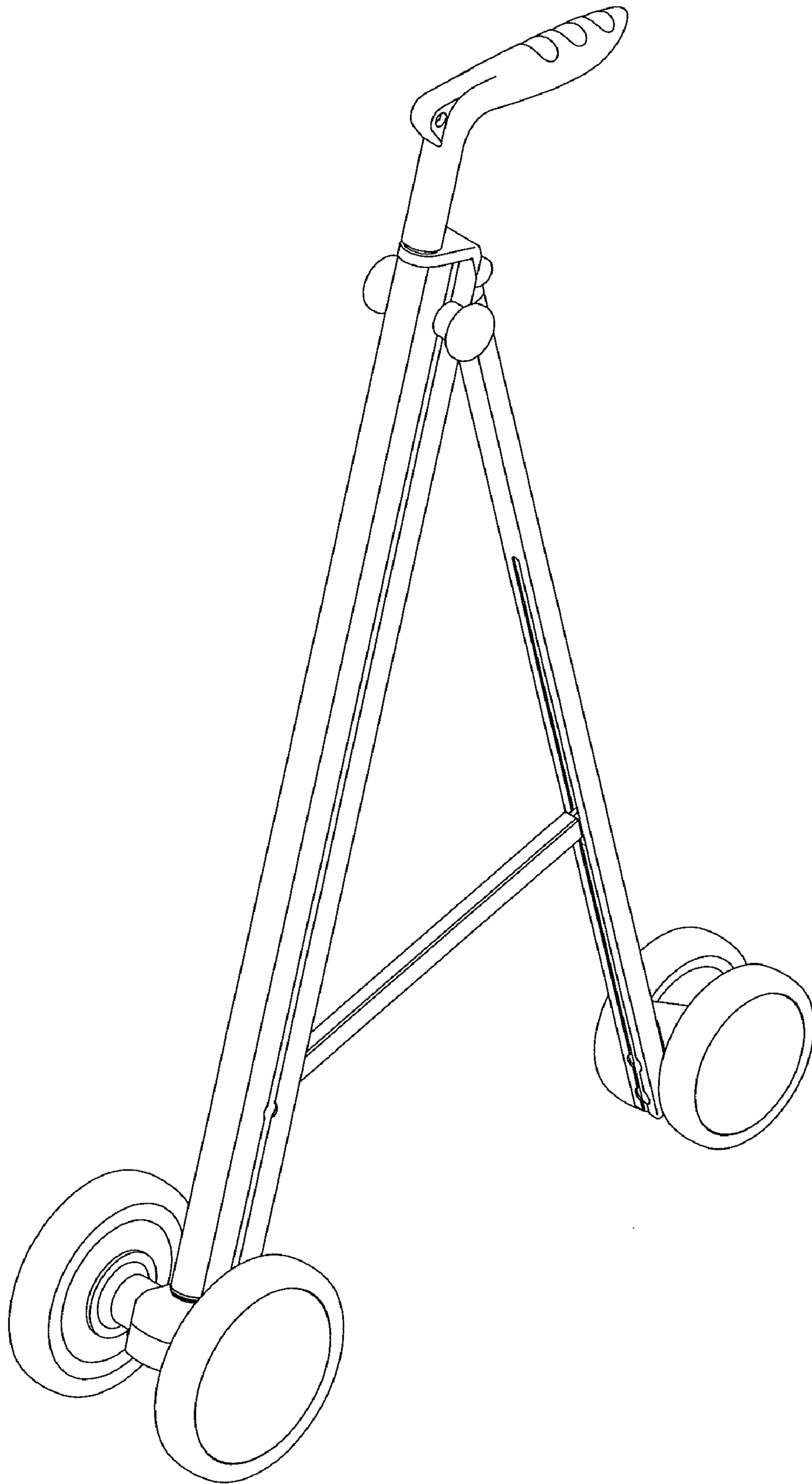


FIG. 15

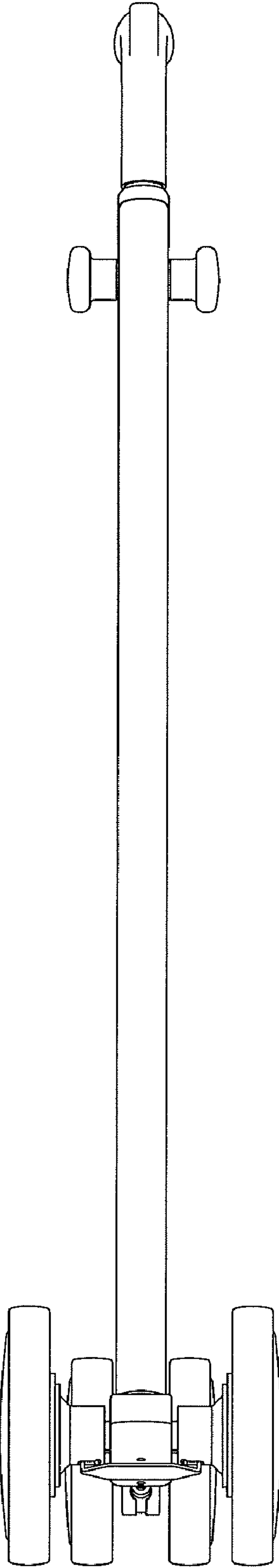


FIG. 16

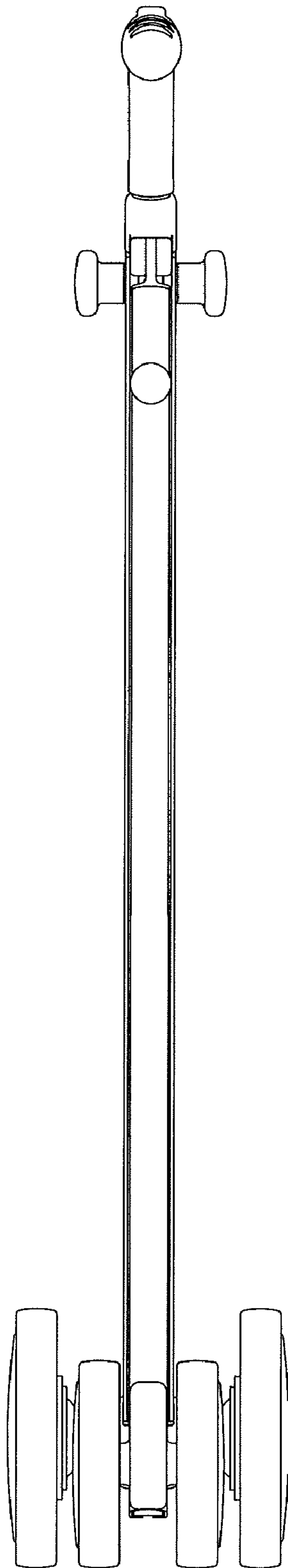


FIG. 17

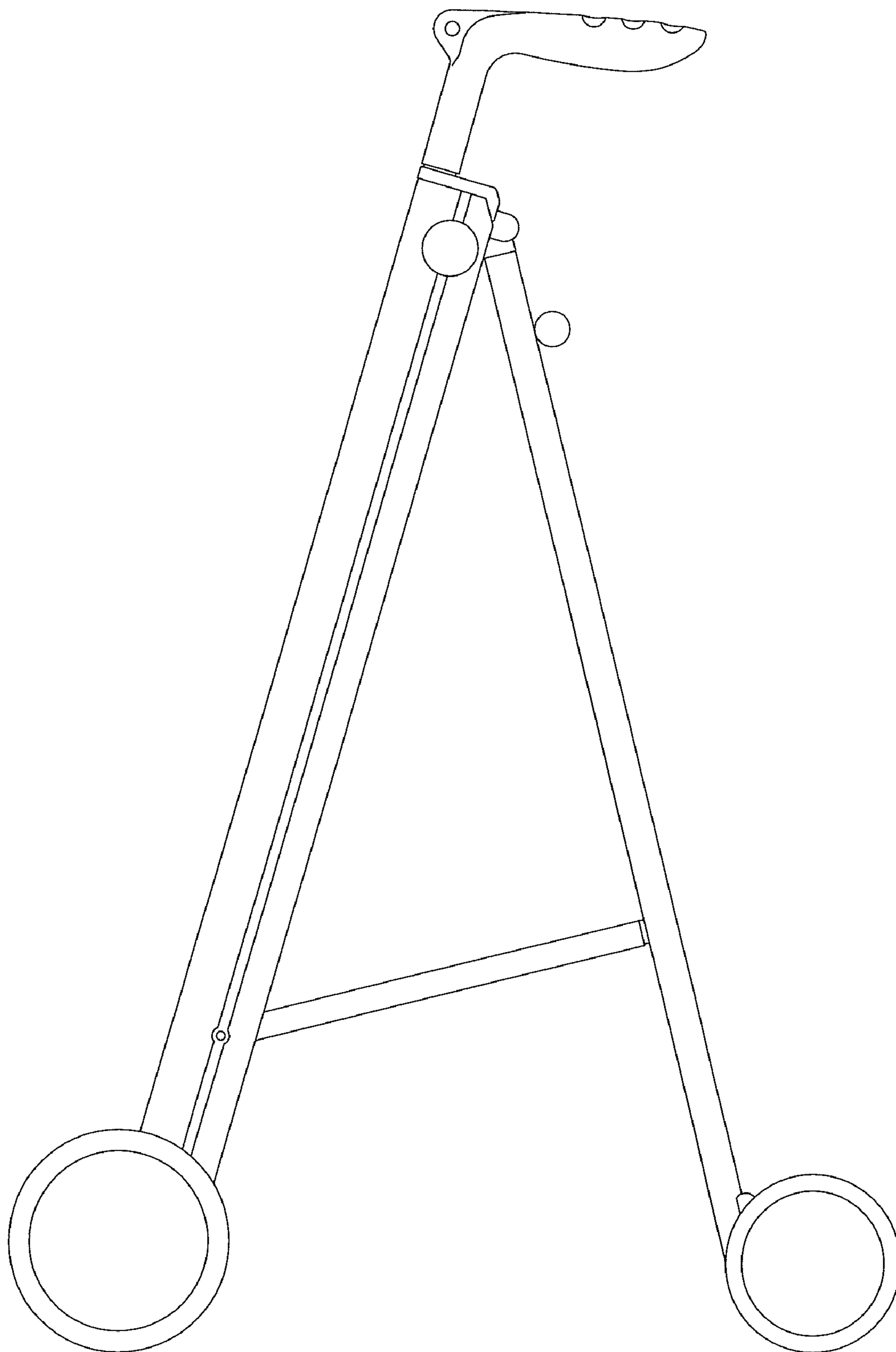


FIG. 18

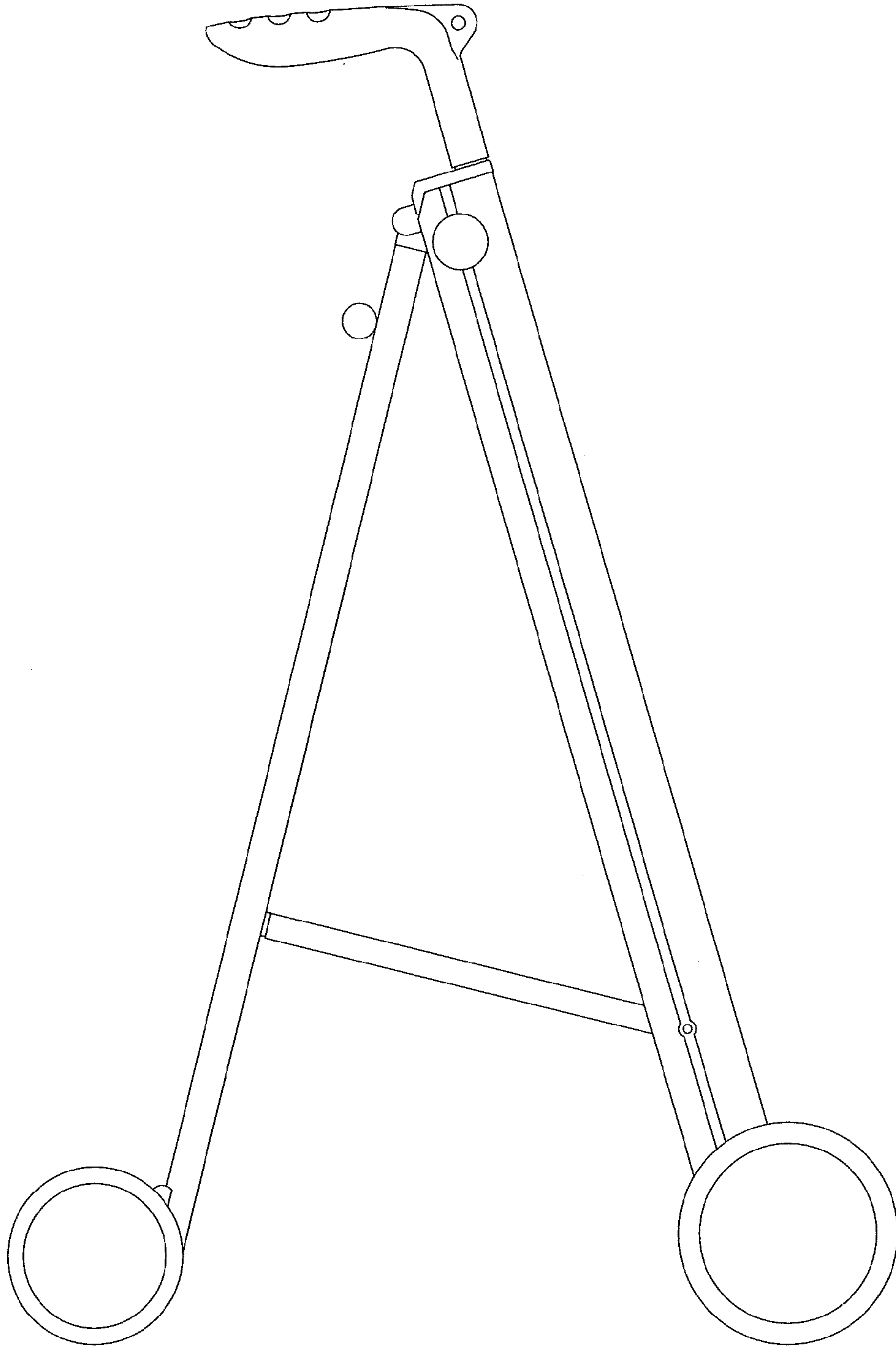


FIG. 19

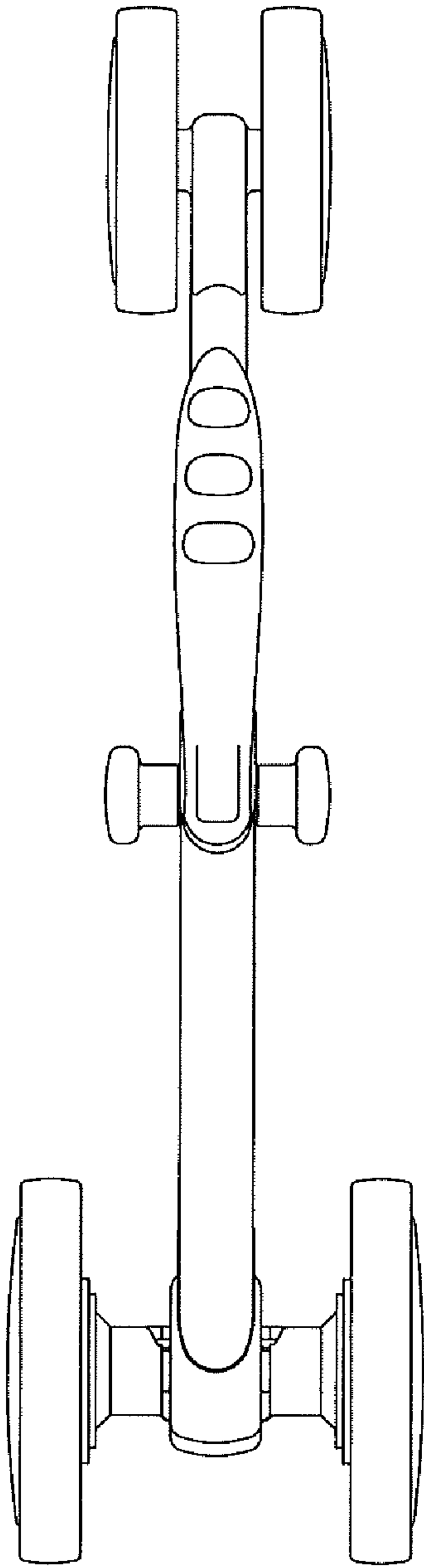


FIG. 20

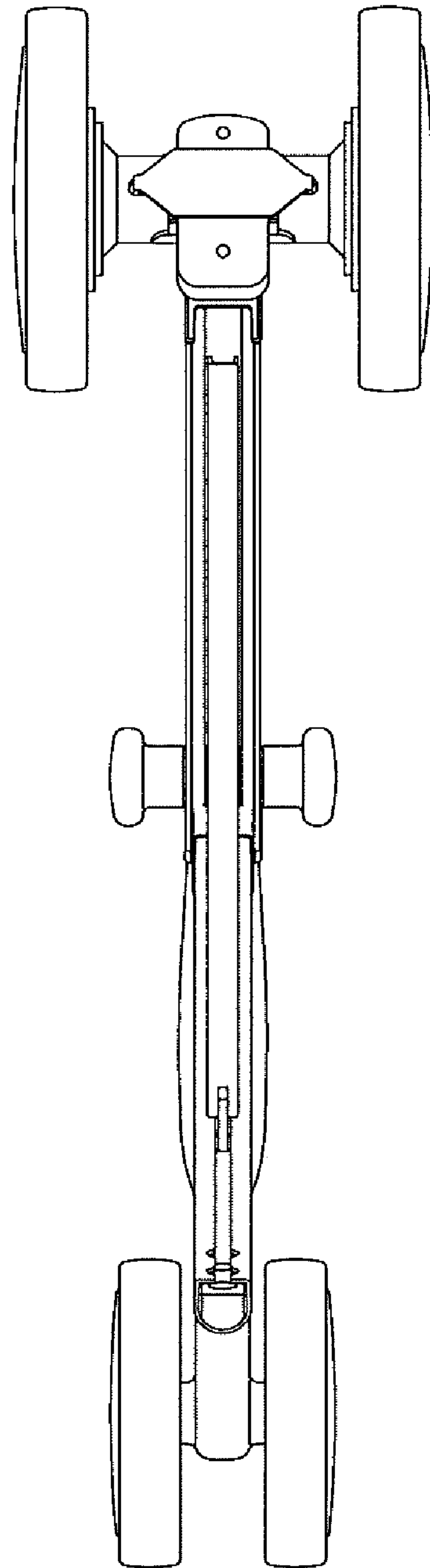


FIG. 21

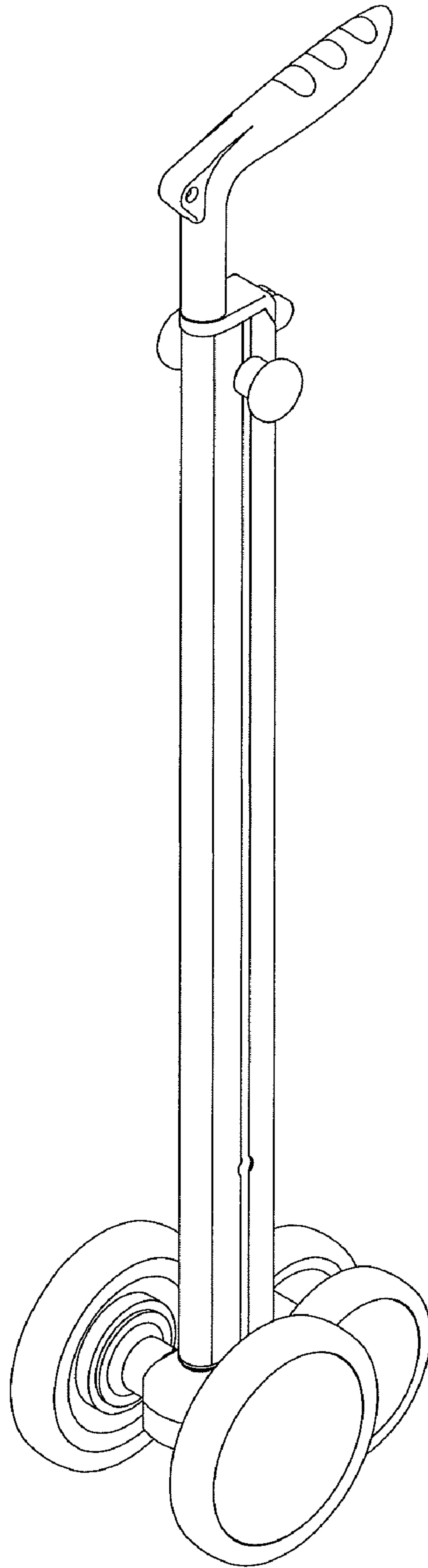


FIG. 22

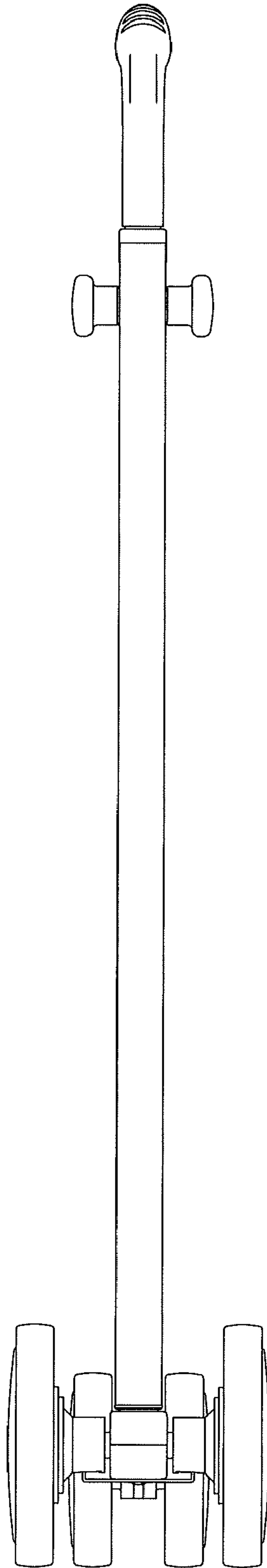


FIG. 23

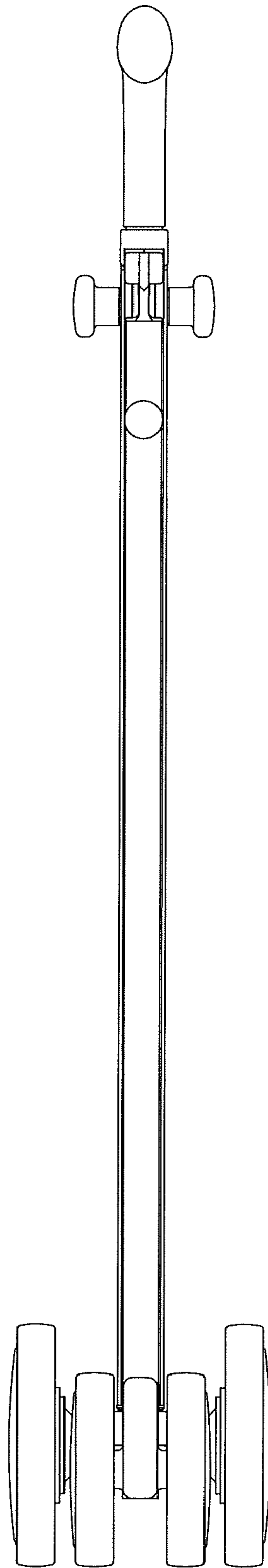


FIG. 24

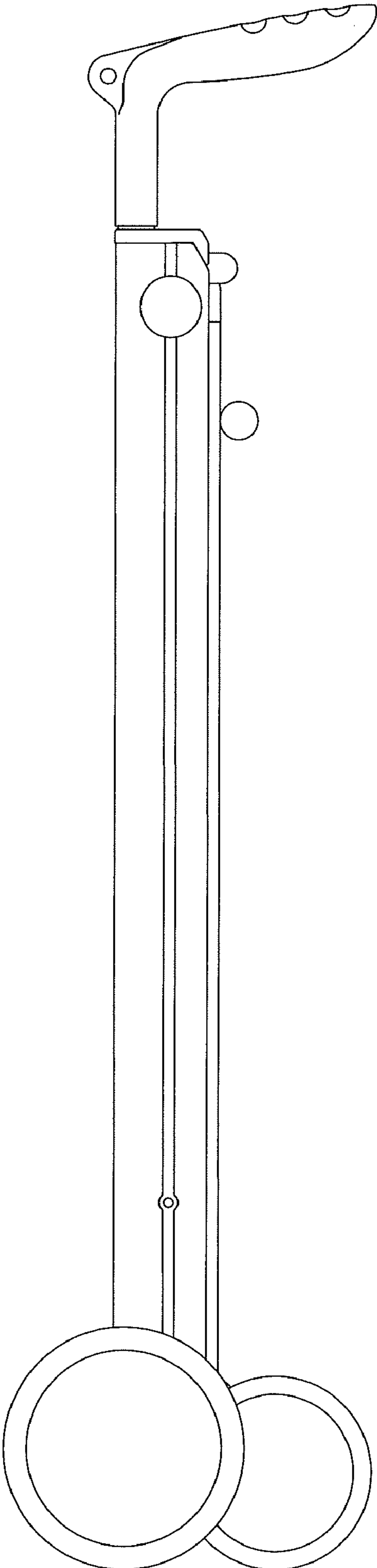


FIG. 25

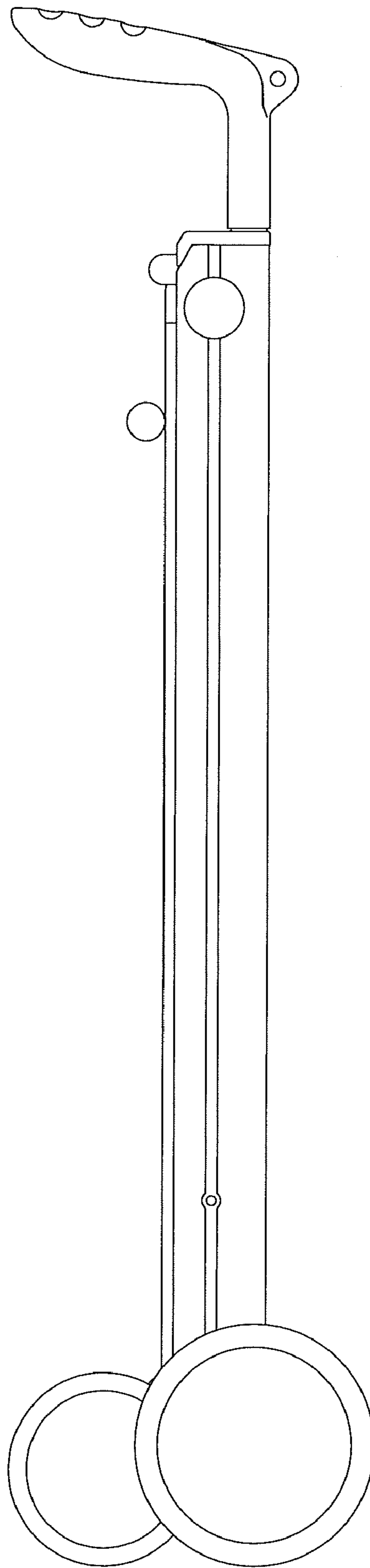


FIG. 26

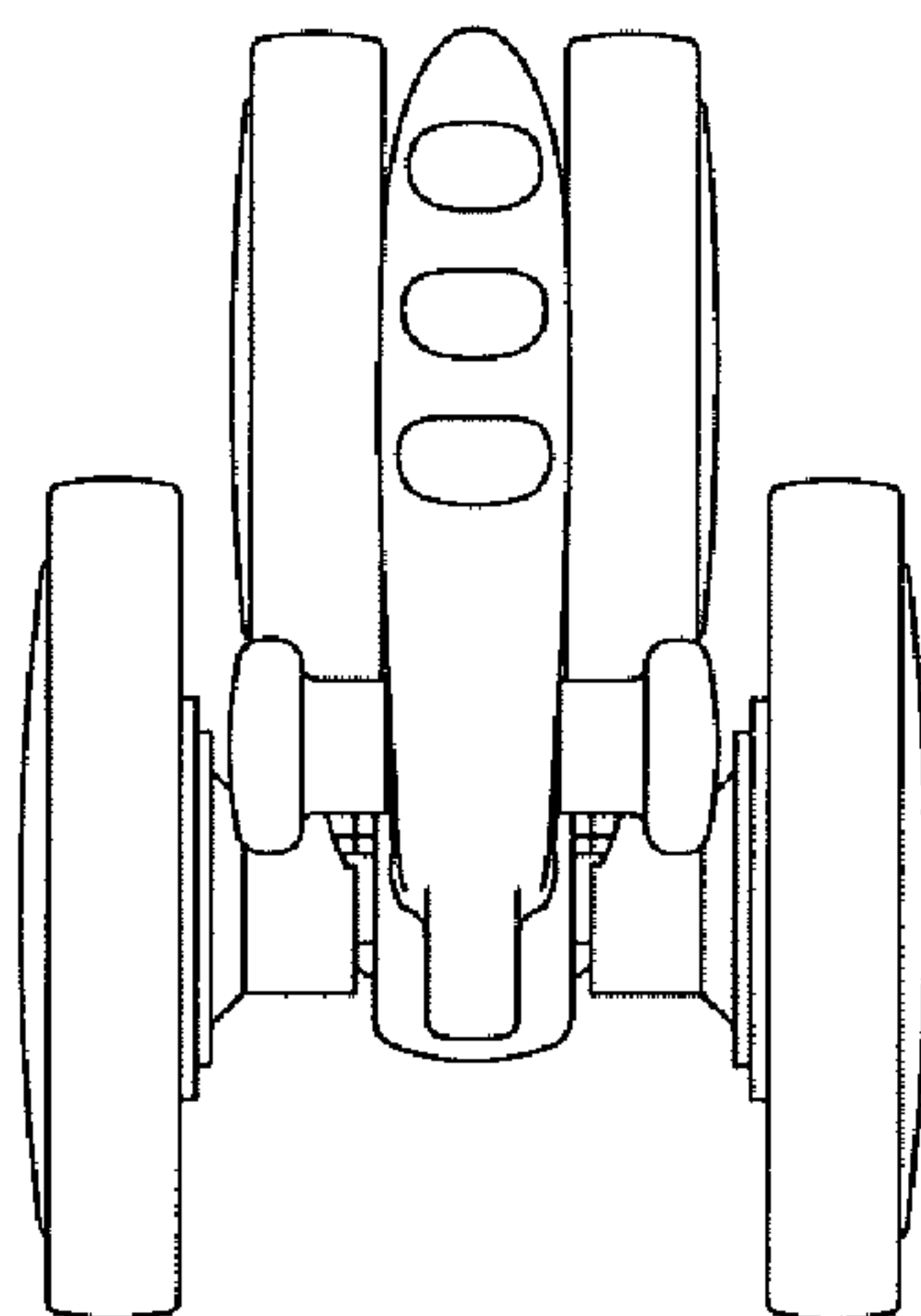


FIG. 27

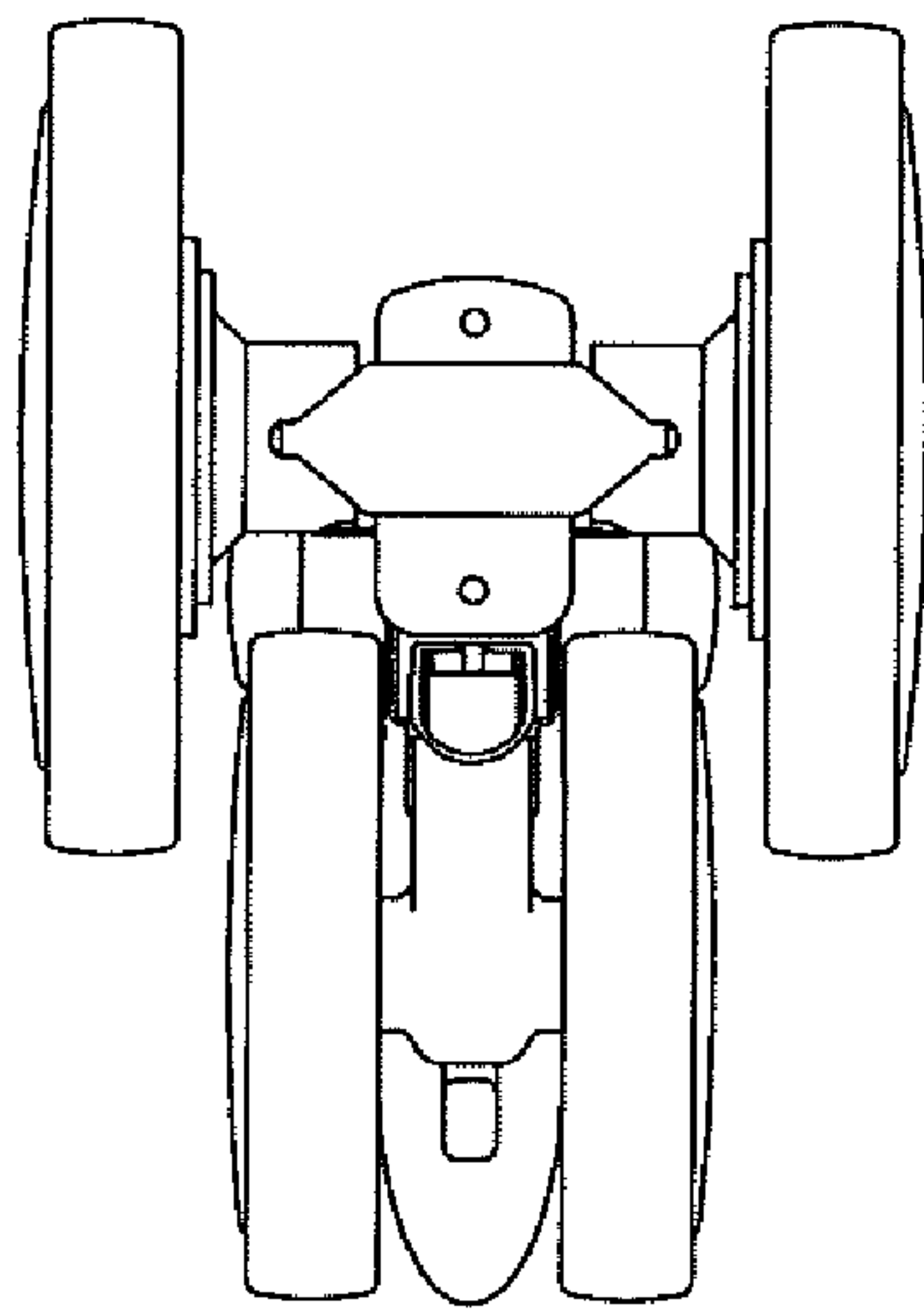


FIG. 28