



US00D623556S

(12) **United States Design Patent**
Pontaoe

(10) **Patent No.:** **US D623,556 S**

(45) **Date of Patent:** **** Sep. 14, 2010**

(54) **BUCKLE**

(75) Inventor: **John S. Pontaoe**, Chicago, IL (US)

(73) Assignee: **Illinois Tool Works Inc.**, Glenview, IL (US)

(**) Term: **14 Years**

(21) Appl. No.: **29/330,822**

(22) Filed: **Jan. 14, 2009**

(51) **LOC (9) Cl.** **02-07**

(52) **U.S. Cl.** **D11/218**

(58) **Field of Classification Search** D11/1-2,
D11/200-201, 206-210, 214-218; 24/163 R,
24/169-171, 173, 177-179, 191, 194-195,
24/197, 200

See application file for complete search history.

(56) **References Cited**

U.S. PATENT DOCUMENTS

4,171,555 A	10/1979	Bakker et al.	
D340,008 S	10/1993	Anscher	
D347,601 S	6/1994	Anscher	
D352,254 S	11/1994	Prosser	
D356,491 S	3/1995	Anscher	
D375,920 S	11/1996	Anscher	
D398,262 S	9/1998	Anscher	
D399,172 S	10/1998	Anscher	
D421,578 S	3/2000	Anscher	
D446,473 S *	8/2001	Chung D11/218
D458,870 S	6/2002	Anscher	
6,463,638 B1	10/2002	Pontaoe	
D471,133 S	3/2003	Pontaoe	

D496,305 S	9/2004	Anscher et al.	
D496,605 S	9/2004	Anscher et al.	
D519,408 S	4/2006	Lundstedt	
D521,898 S	5/2006	Anscher	
D556,086 S	11/2007	Pontaoe	
D558,088 S	12/2007	Pontaoe	
D563,270 S	3/2008	Zeng	
D564,409 S	3/2008	Pontaoe	
D576,521 S	9/2008	Kolasa et al.	
D610,946 S *	3/2010	Harada D11/218

* cited by examiner

Primary Examiner—Ralf Seifert

(74) *Attorney, Agent, or Firm*—Mark W. Croll; Paul F. Donovan

(57) **CLAIM**

The ornamental design for a buckle, as shown and described.

DESCRIPTION

FIG. 1 is a perspective view of a buckle showing the new design;

FIG. 2 is another perspective view thereof;

FIG. 3 is a top view thereof;

FIG. 4 is a bottom view thereof;

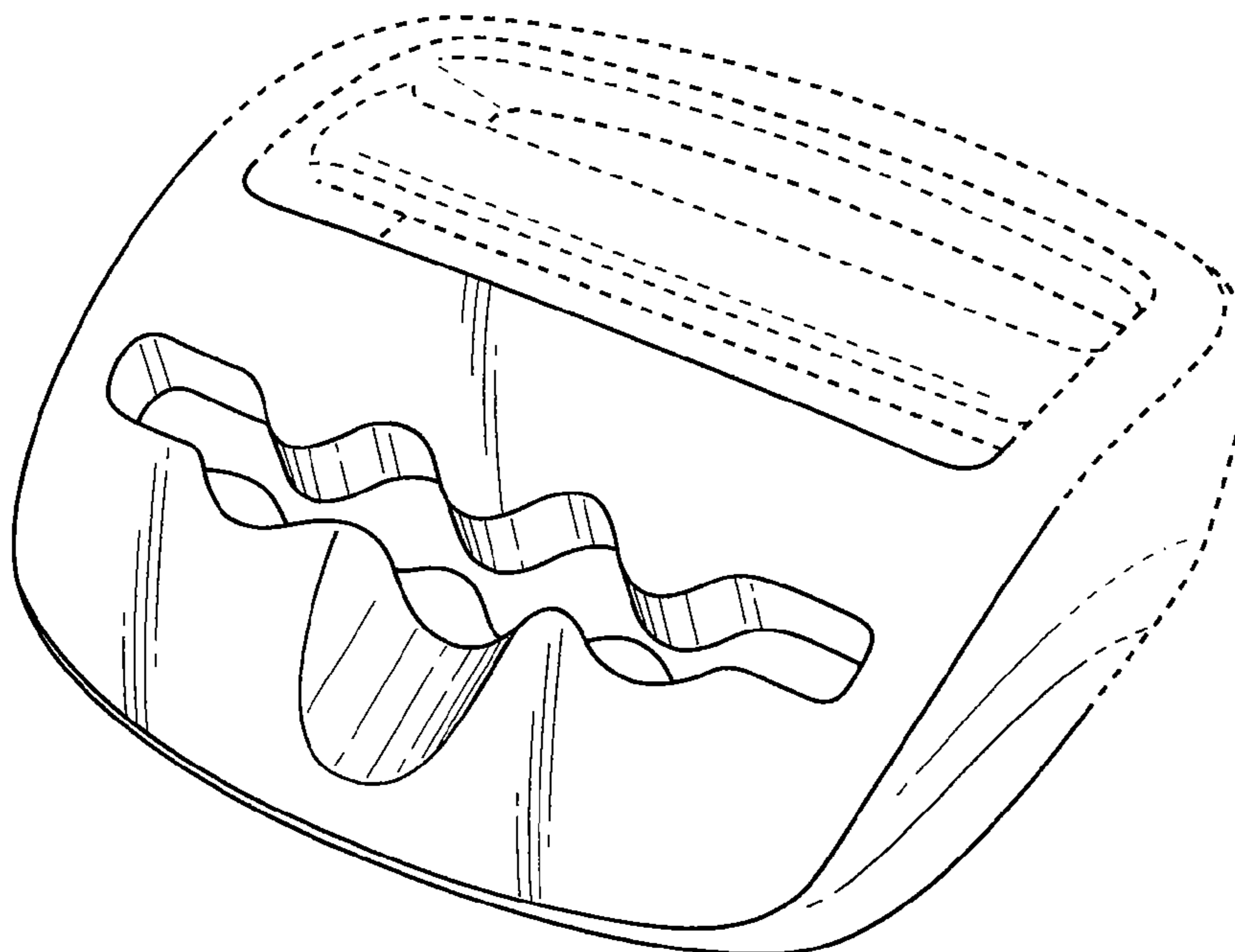
FIG. 5 is a back view thereof;

FIG. 6 is a front view thereof; and,

FIG. 7 is a side view thereof, the opposite side being the same as this side.

The broken line portions of the disclosure are for illustrative purposes only and form no part of the claimed design.

1 Claim, 5 Drawing Sheets



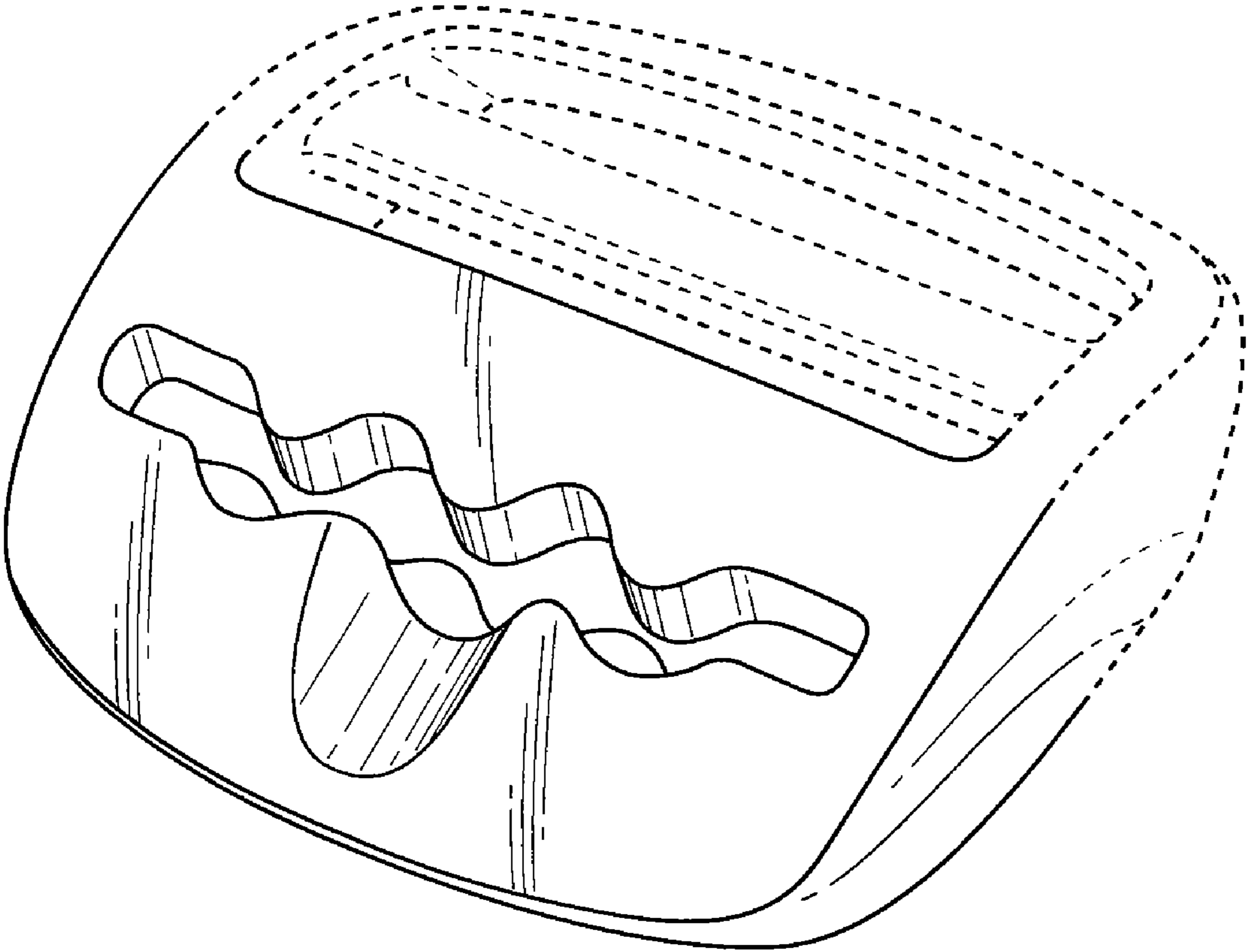


Fig. 1

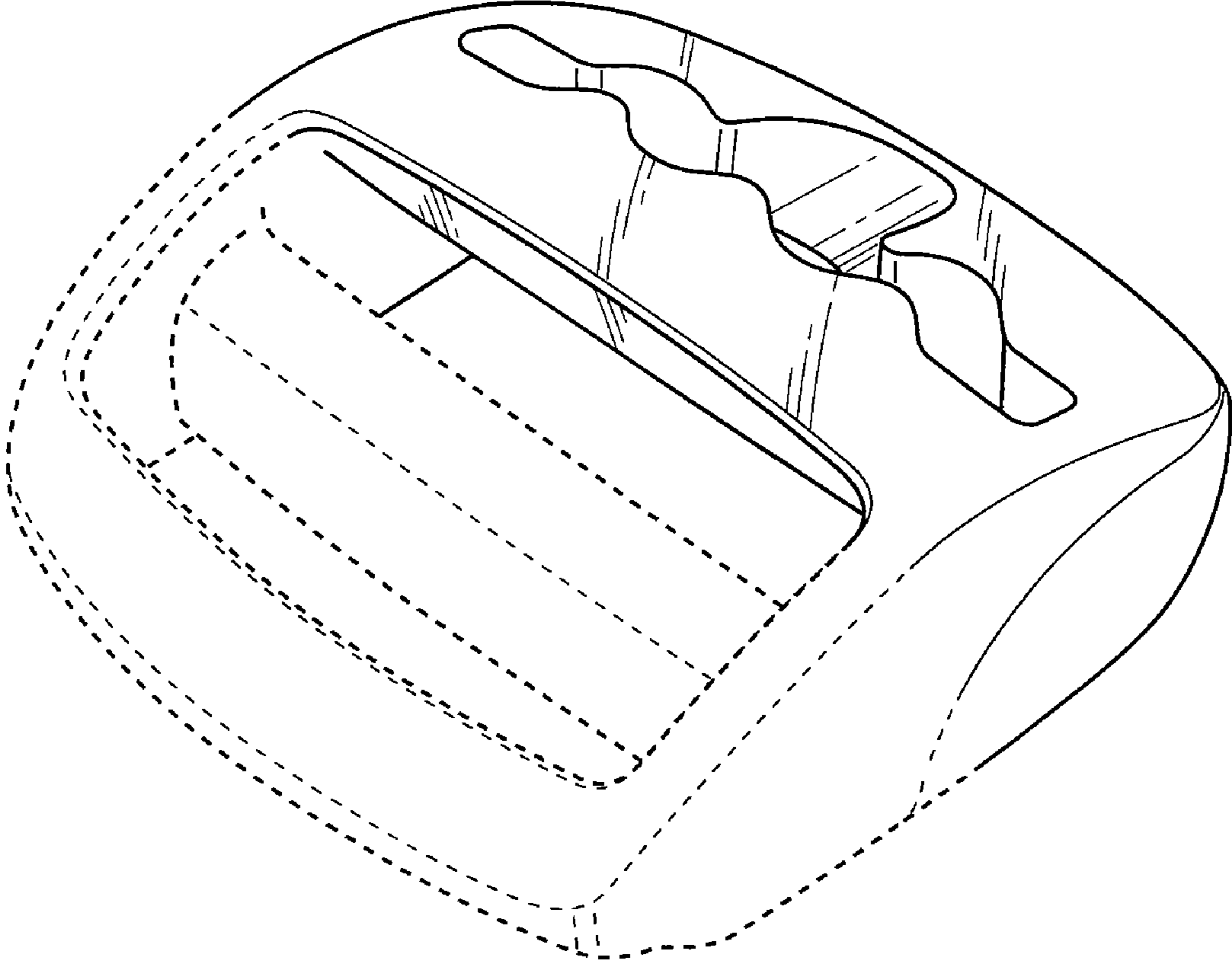


Fig. 2

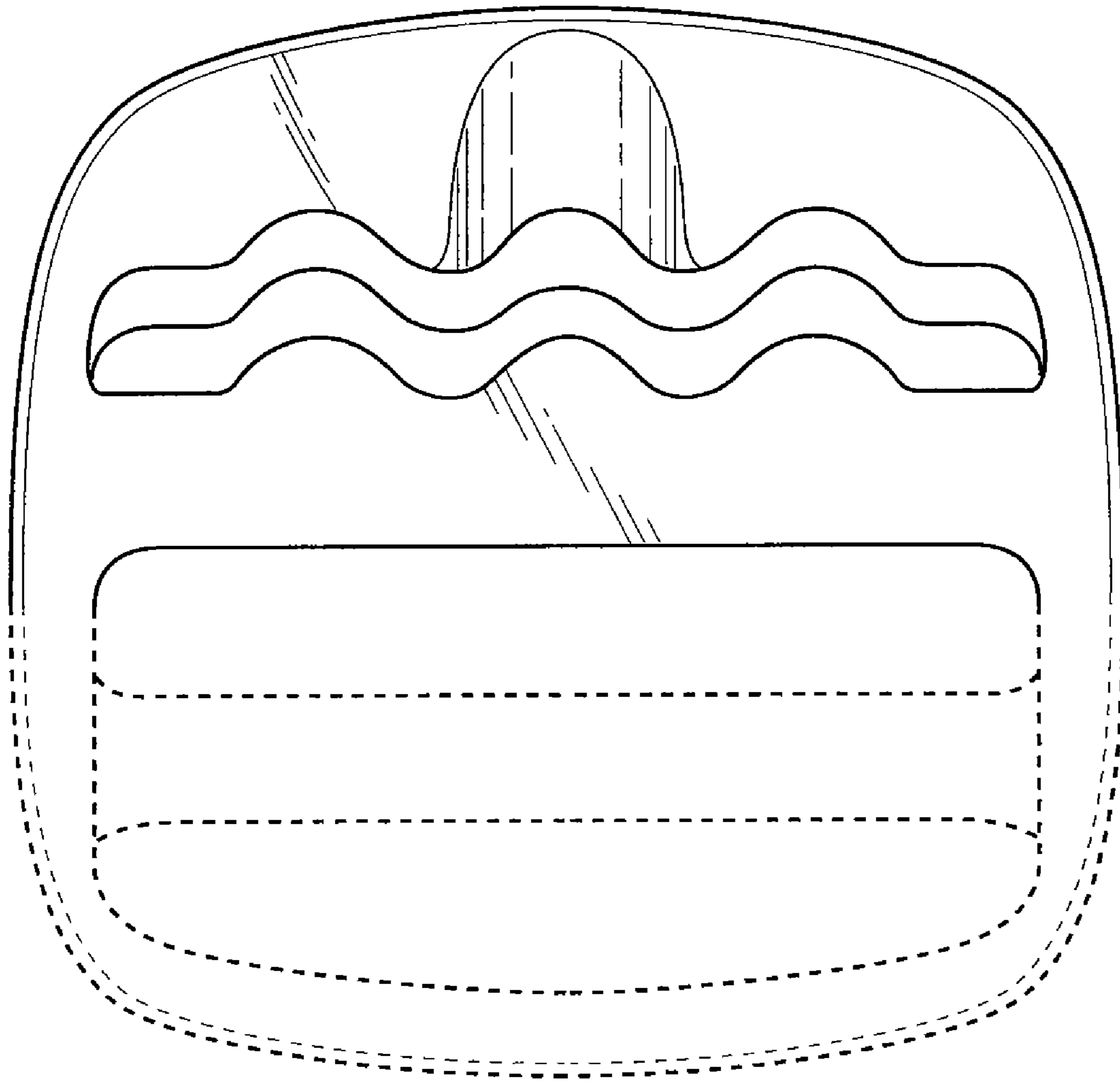


Fig. 3

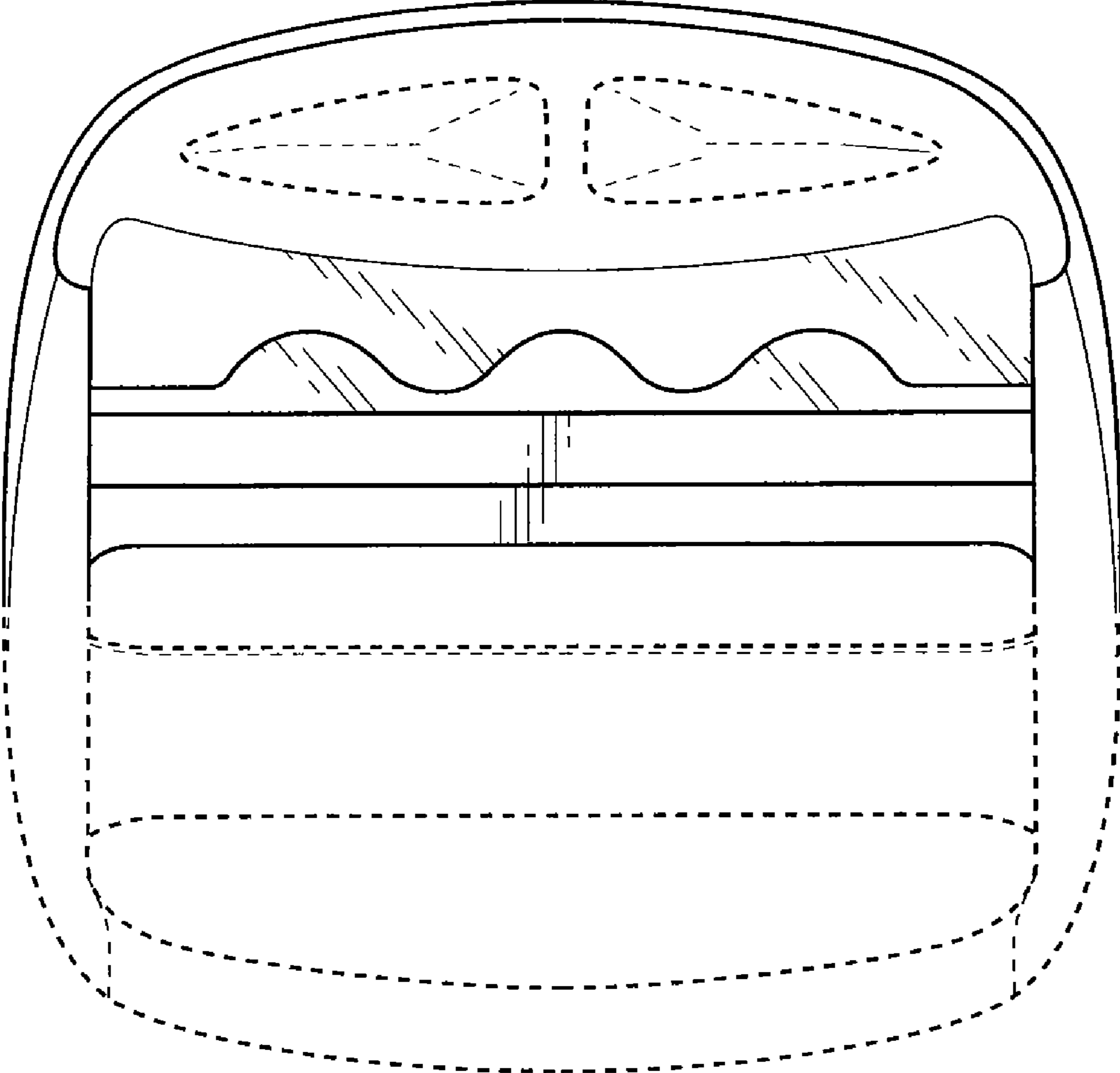


Fig. 4

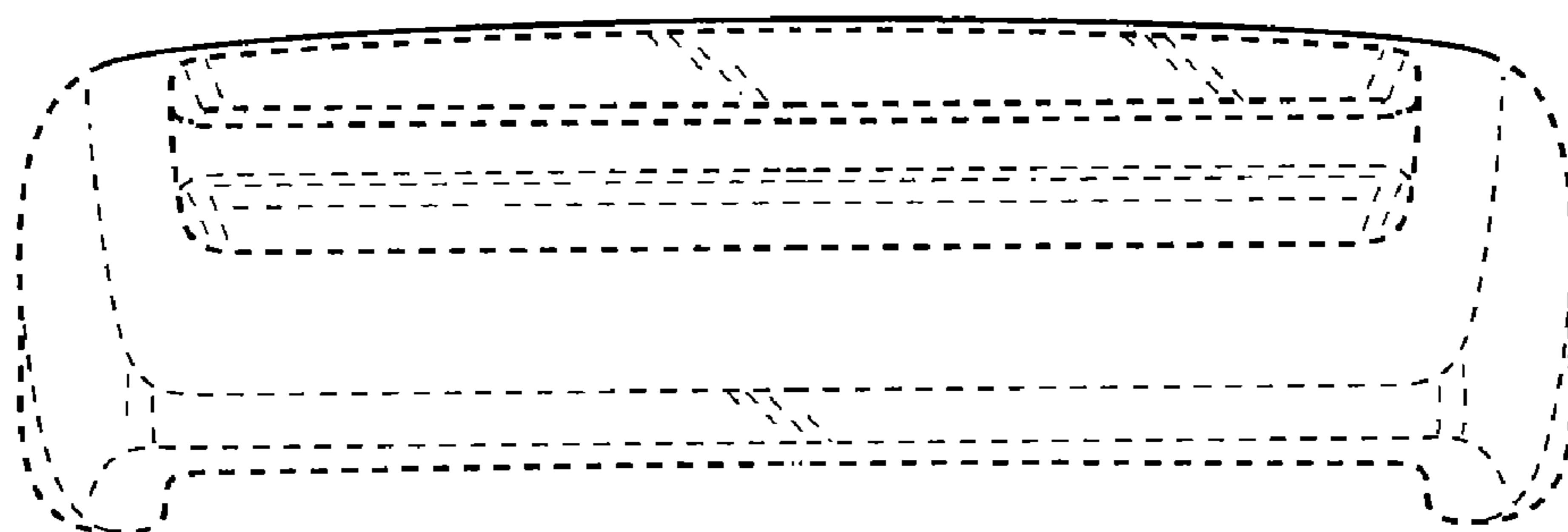


Fig. 5

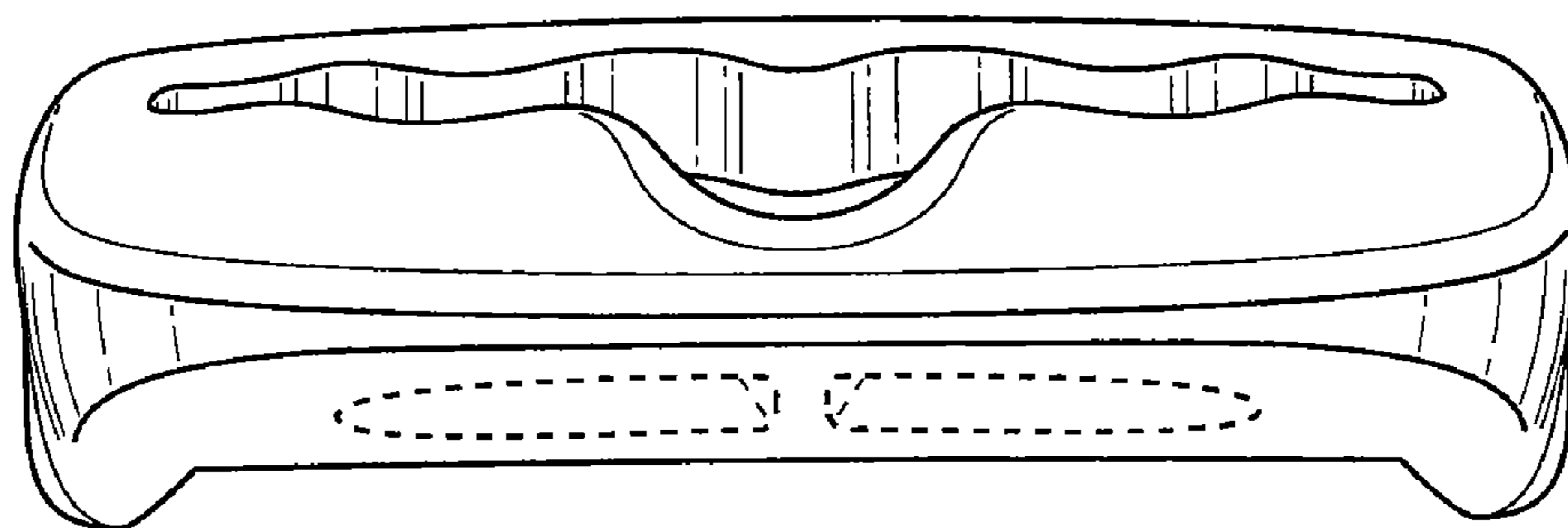


Fig. 6

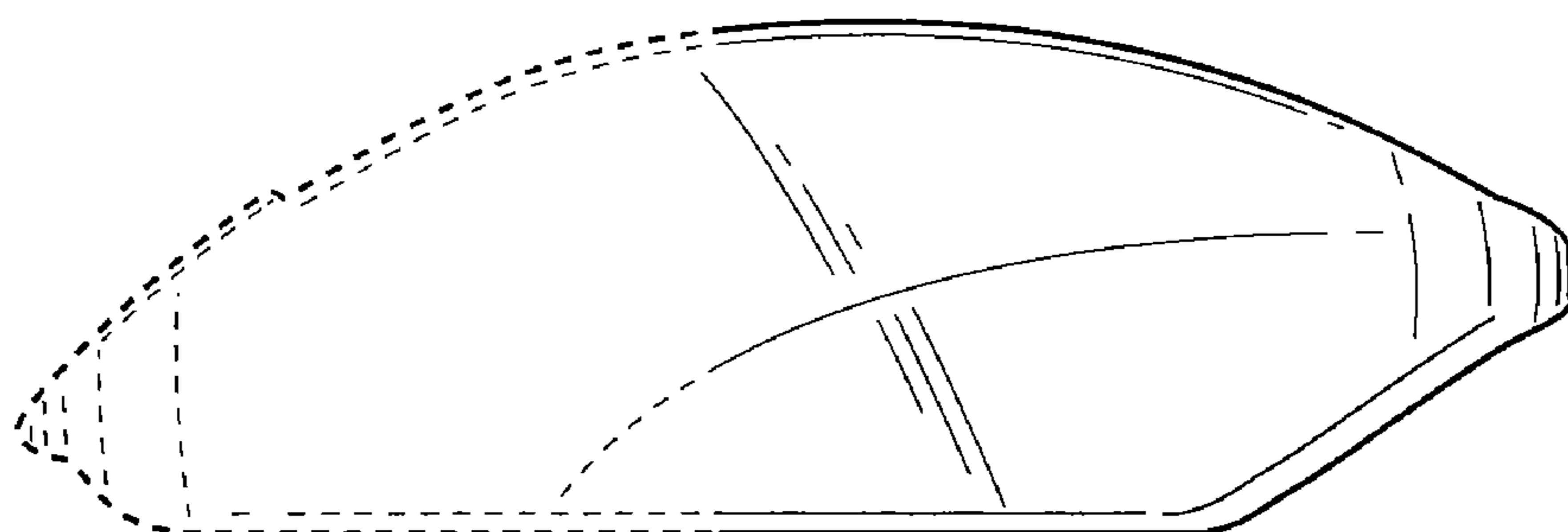


Fig. 7