



US00D623547S

(12) **United States Design Patent**  
**Nishikawa et al.**

(10) **Patent No.:** **US D623,547 S**  
(45) **Date of Patent:** **\*\* Sep. 14, 2010**

(54) **DETECTING SENSOR**

2008/0111087 A1\* 5/2008 Nishikawa et al. .... 250/492.1

(75) Inventors: **Takayuki Nishikawa**, Osaka (JP);  
**Yoshiaki Honda**, Soraku-gun (JP);  
**Tomohiro Kamitsu**, Kobe (JP);  
**Sadayuki Sumi**, Ashiya (JP); **Ryo Taniguchi**, Tsu (JP)

\* cited by examiner

*Primary Examiner*—Robert M Spear  
*Assistant Examiner*—George D Kirschbaum  
(74) *Attorney, Agent, or Firm*—Marvin A. Motsenbocker;  
Mots Law, PLLC

(73) Assignee: **Panasonic Electric Works Co., Ltd.**,  
Kadoma-shi (JP)

(57) **CLAIM**

(\*\*) Term: **14 Years**

The ornamental design for a detecting sensor, as shown and described.

(21) Appl. No.: **29/352,544**

(22) Filed: **Dec. 22, 2009**

(30) **Foreign Application Priority Data**

Jun. 23, 2009 (JP) ..... 2009-014217

(51) **LOC (9) Cl.** ..... **10-05**

(52) **U.S. Cl.** ..... **D10/106**

(58) **Field of Classification Search** ..... D10/104,  
D10/106; D26/74; 340/521, 540–545, 555,  
340/558, 571–573; 250/492.1

See application file for complete search history.

(56) **References Cited**

**U.S. PATENT DOCUMENTS**

- D286,514 S \* 11/1986 Spang ..... D10/106
- D374,189 S \* 10/1996 Hubben ..... D10/106
- D411,640 S \* 6/1999 Lueken et al. .... D26/74
- D412,456 S \* 8/1999 Uehara ..... D10/106
- D434,686 S \* 12/2000 Denman ..... D10/106
- D447,969 S \* 9/2001 Shimomoto et al. .... D10/85
- D497,879 S \* 11/2004 Kawamura et al. .... D13/165

**DESCRIPTION**

FIG. 1 is a perspective view of a detecting sensor;

FIG. 2 is a front view thereof;

FIG. 3 is a right side view thereof;

FIG. 4 is a top plan view thereof;

FIG. 5 is a rear view thereof;

FIG. 6 is a left side view thereof;

FIG. 7 is a bottom plan view thereof;

FIG. 8 is an 8—8 cross-sectional view thereof without internal structure;

FIG. 9 is a 9—9 cross-sectional view thereof without internal structure; and,

FIG. 10 is an enlarged 10—10 partial view thereof.

The square area on the top of the sensor cover is translucent surface.

The broken line showing of internal structures shown in FIGS. 8-10 forms no part of the claimed design.

**1 Claim, 10 Drawing Sheets**

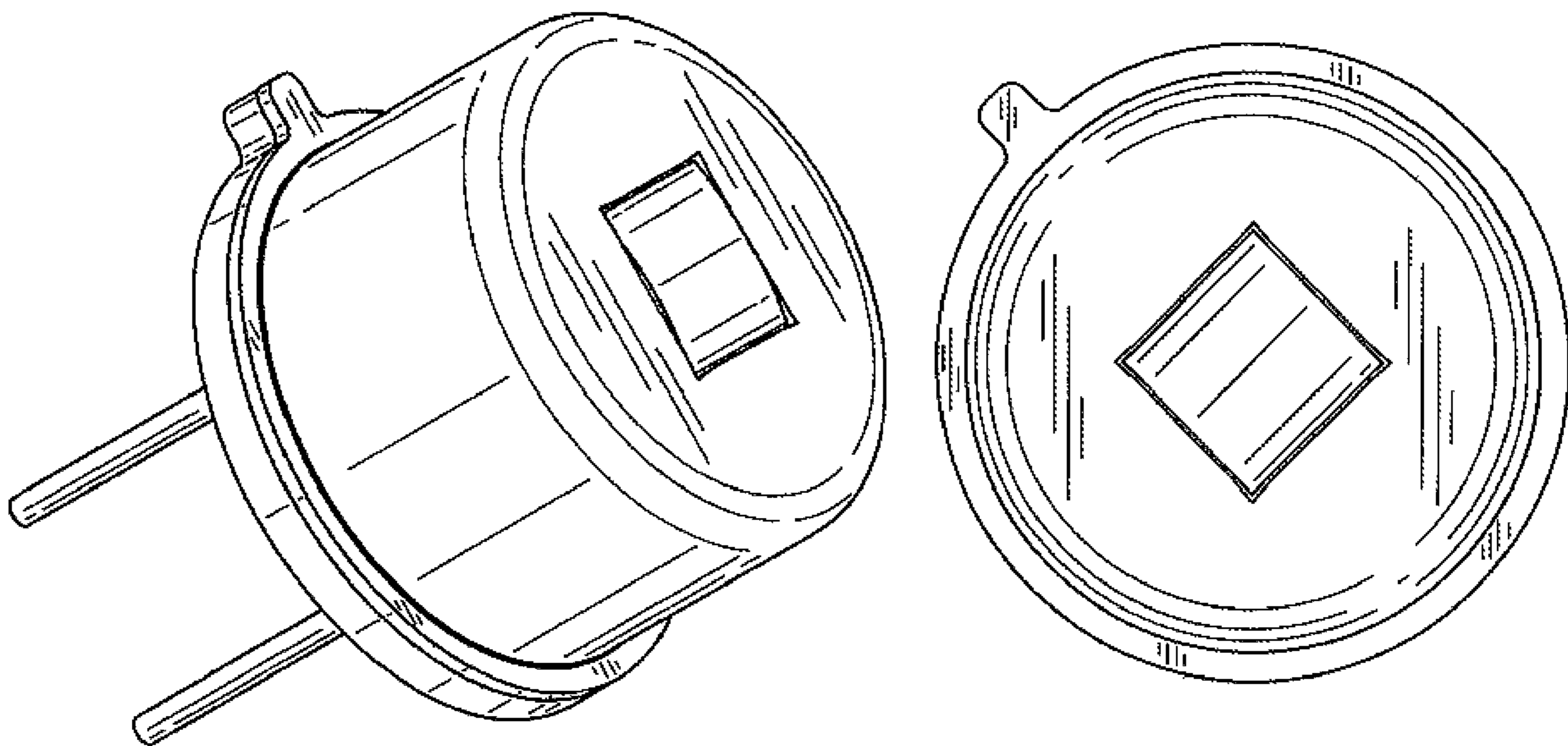


Fig. 1

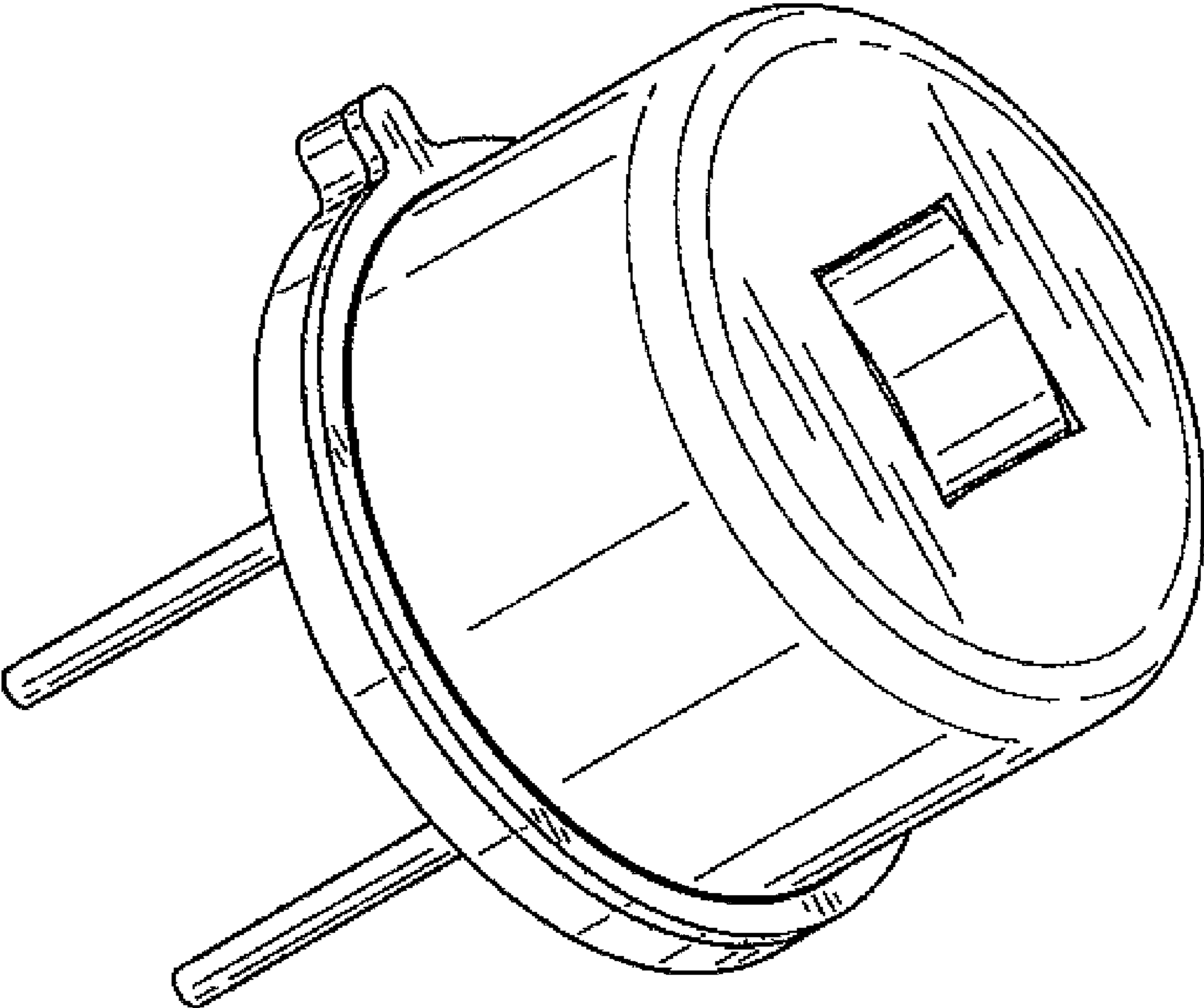
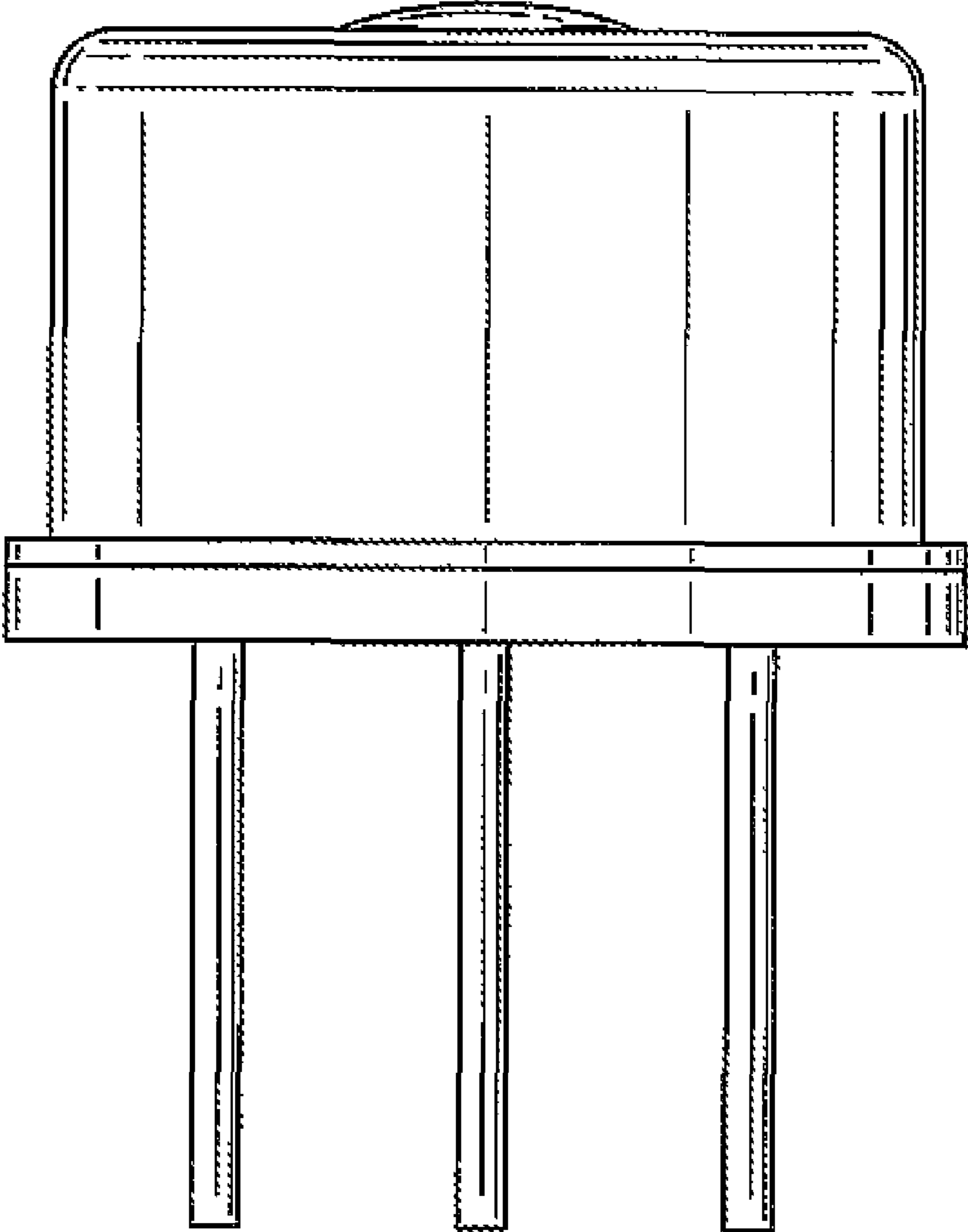
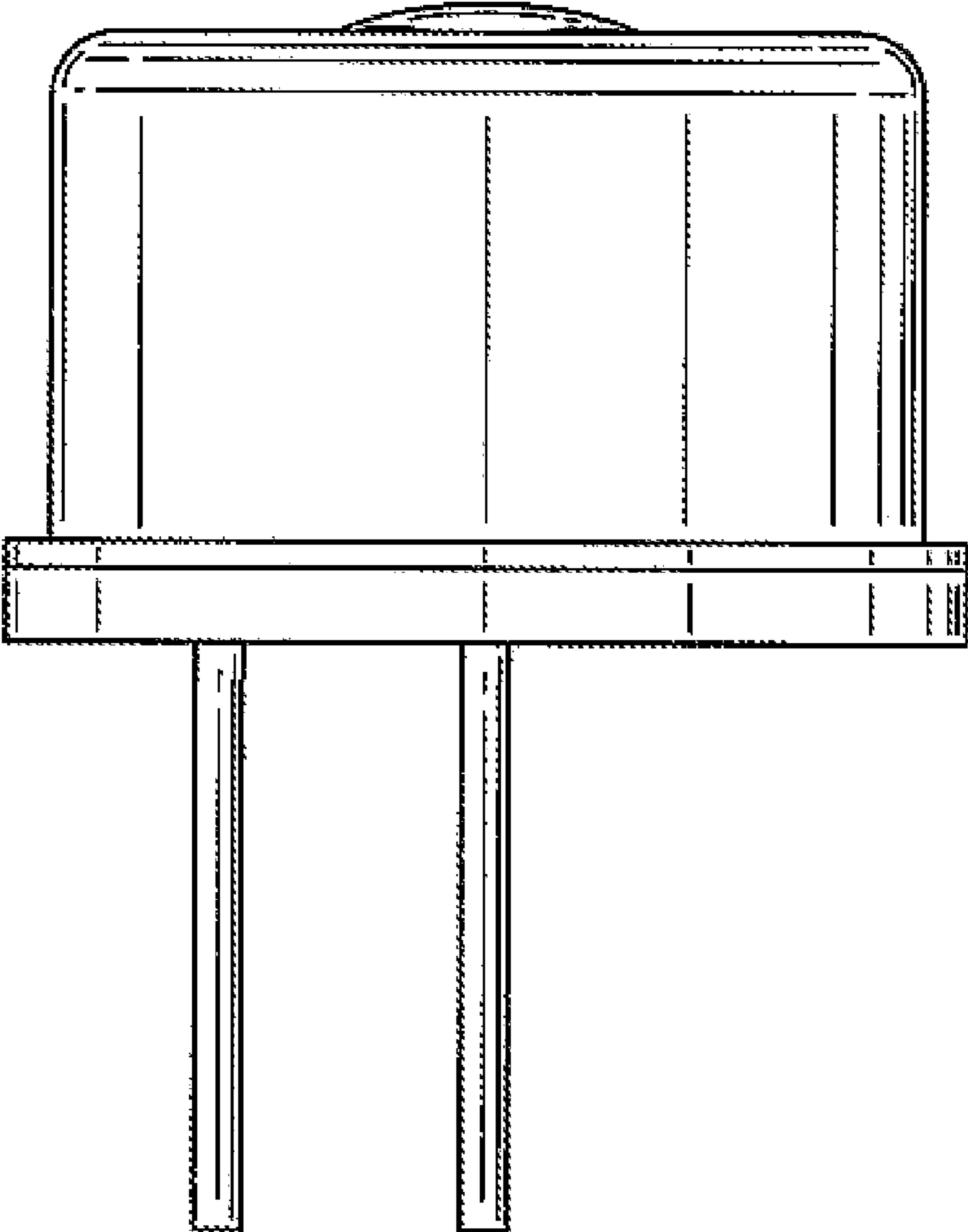


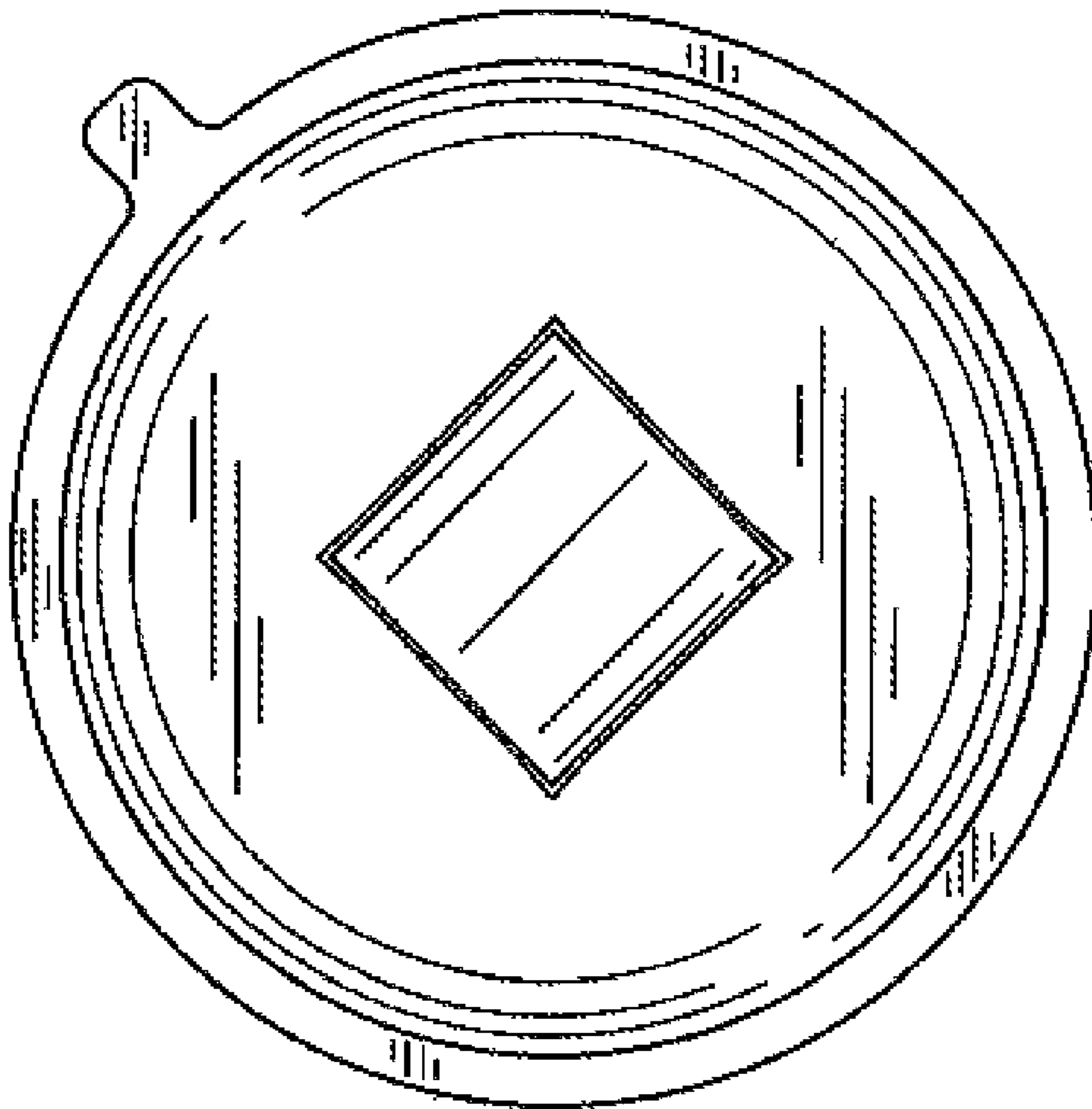
Fig.2



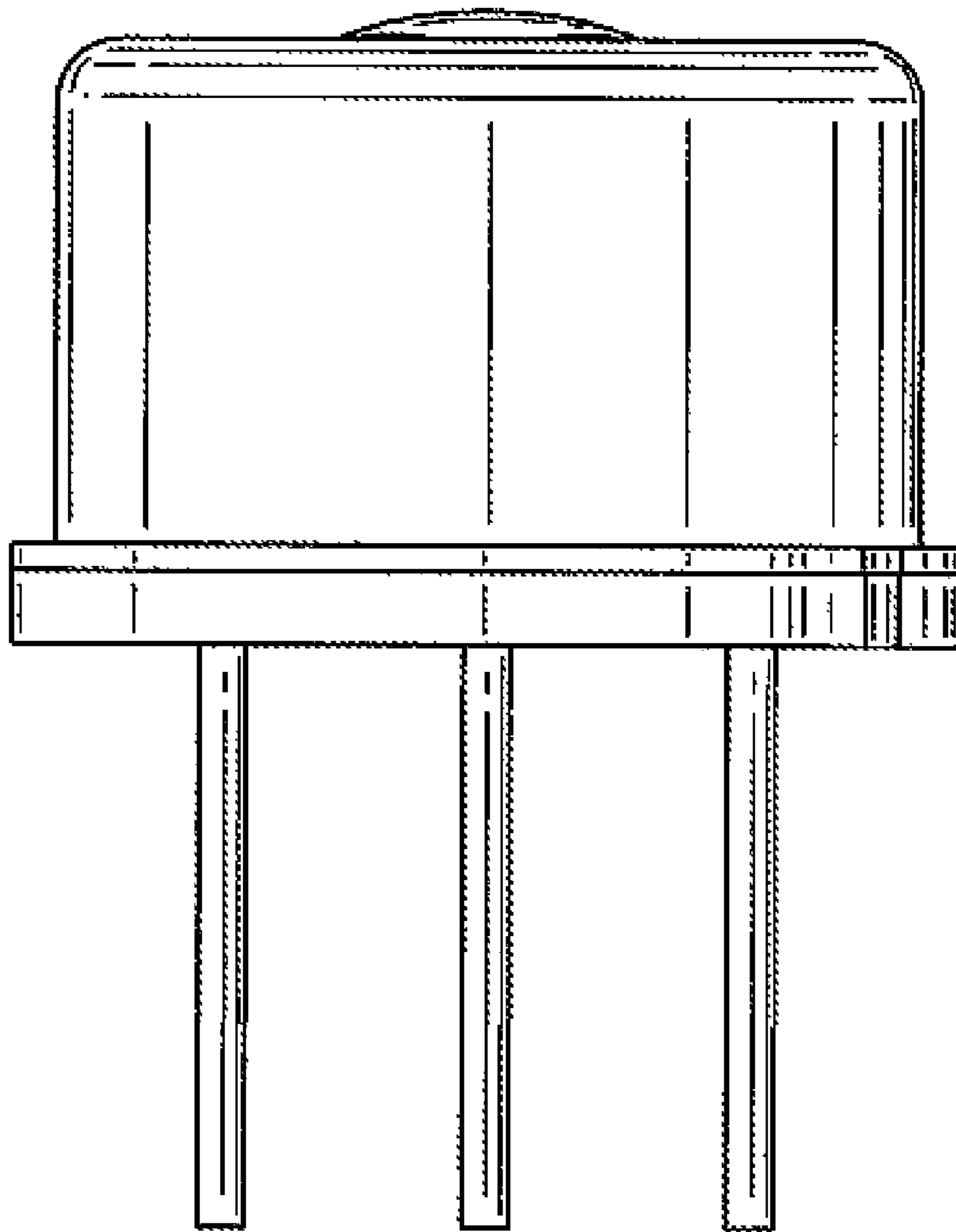
# Fig. 3



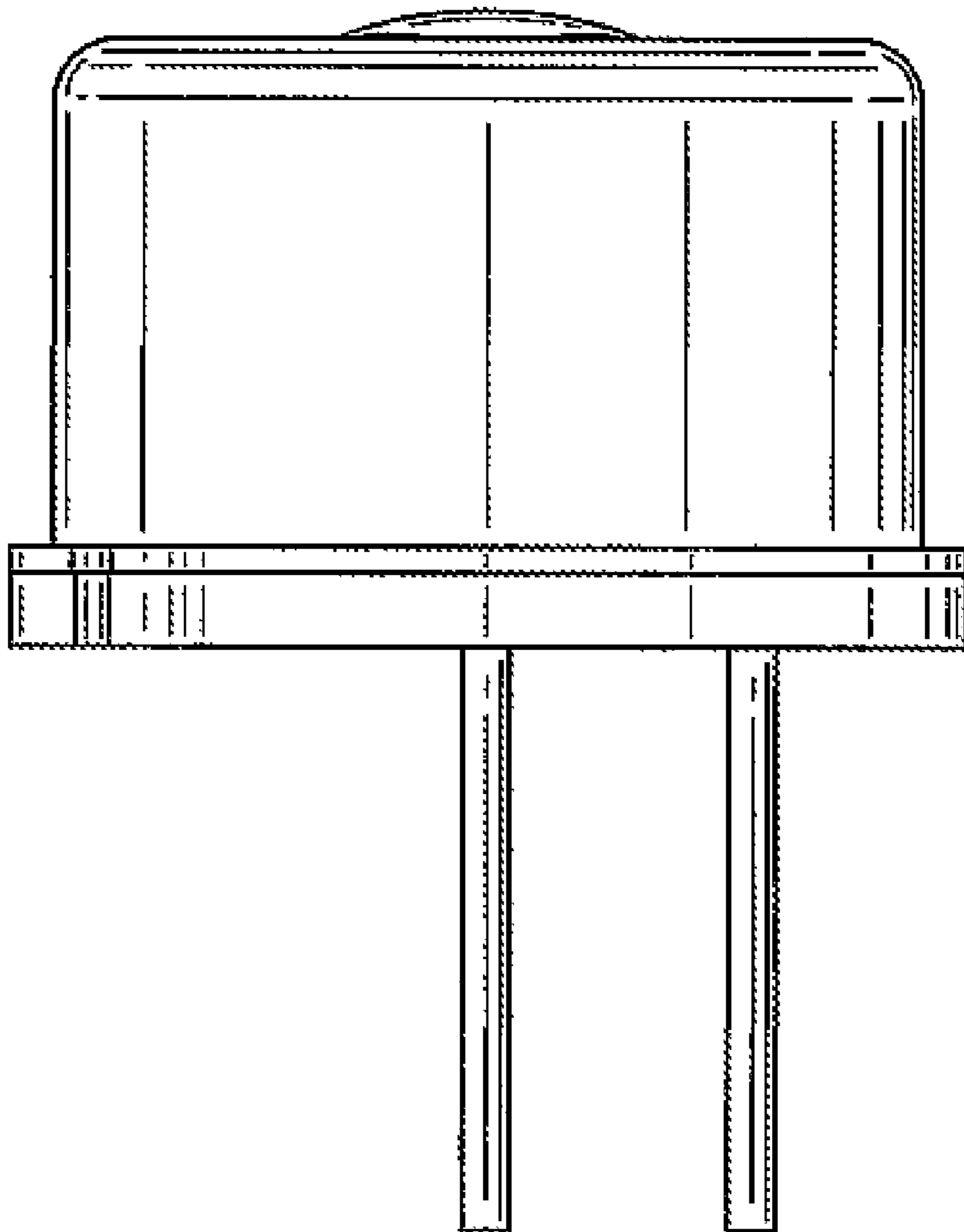
# Fig.4



# Fig. 5



# Fig.6



# Fig.7

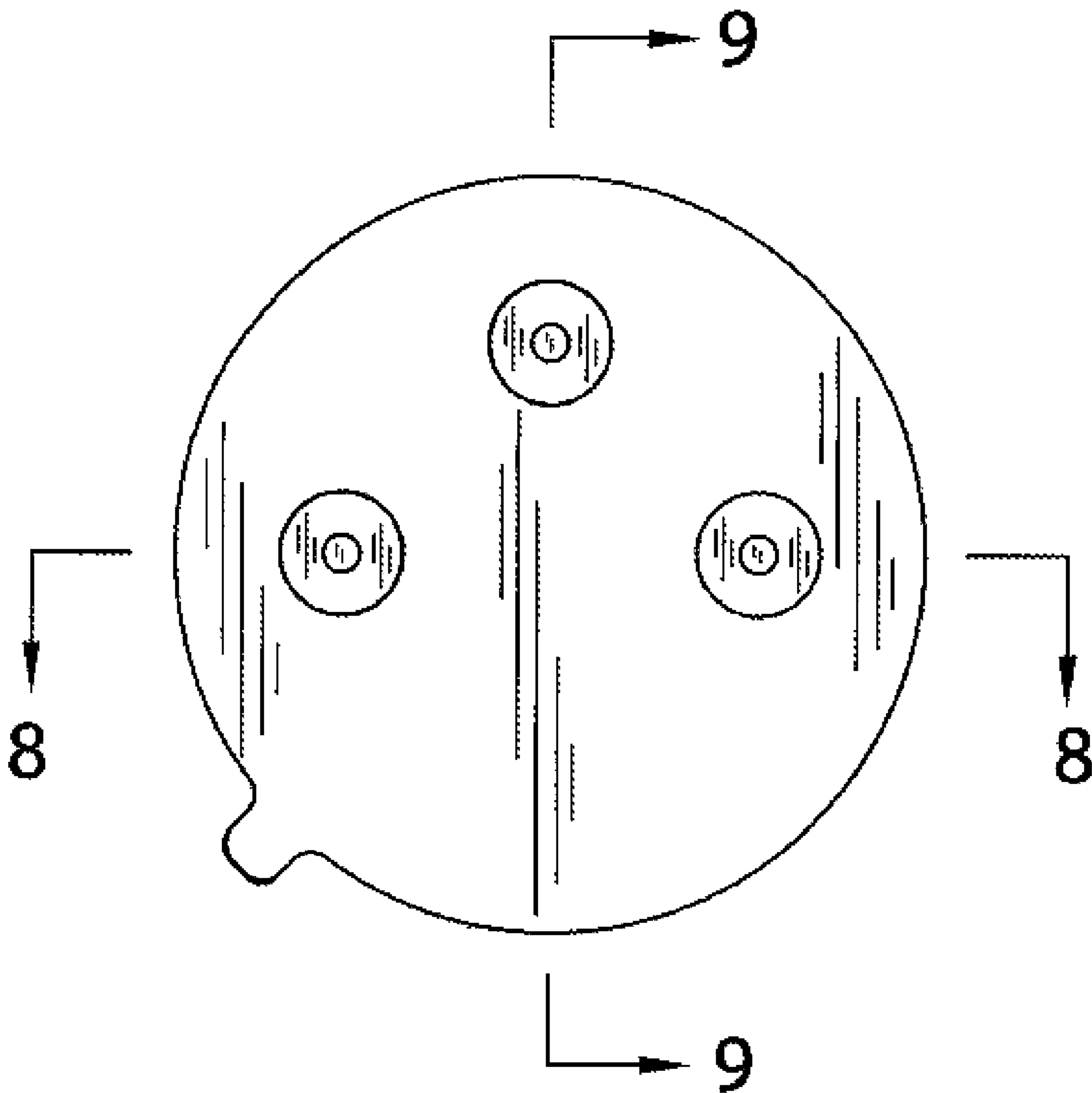




Fig.8

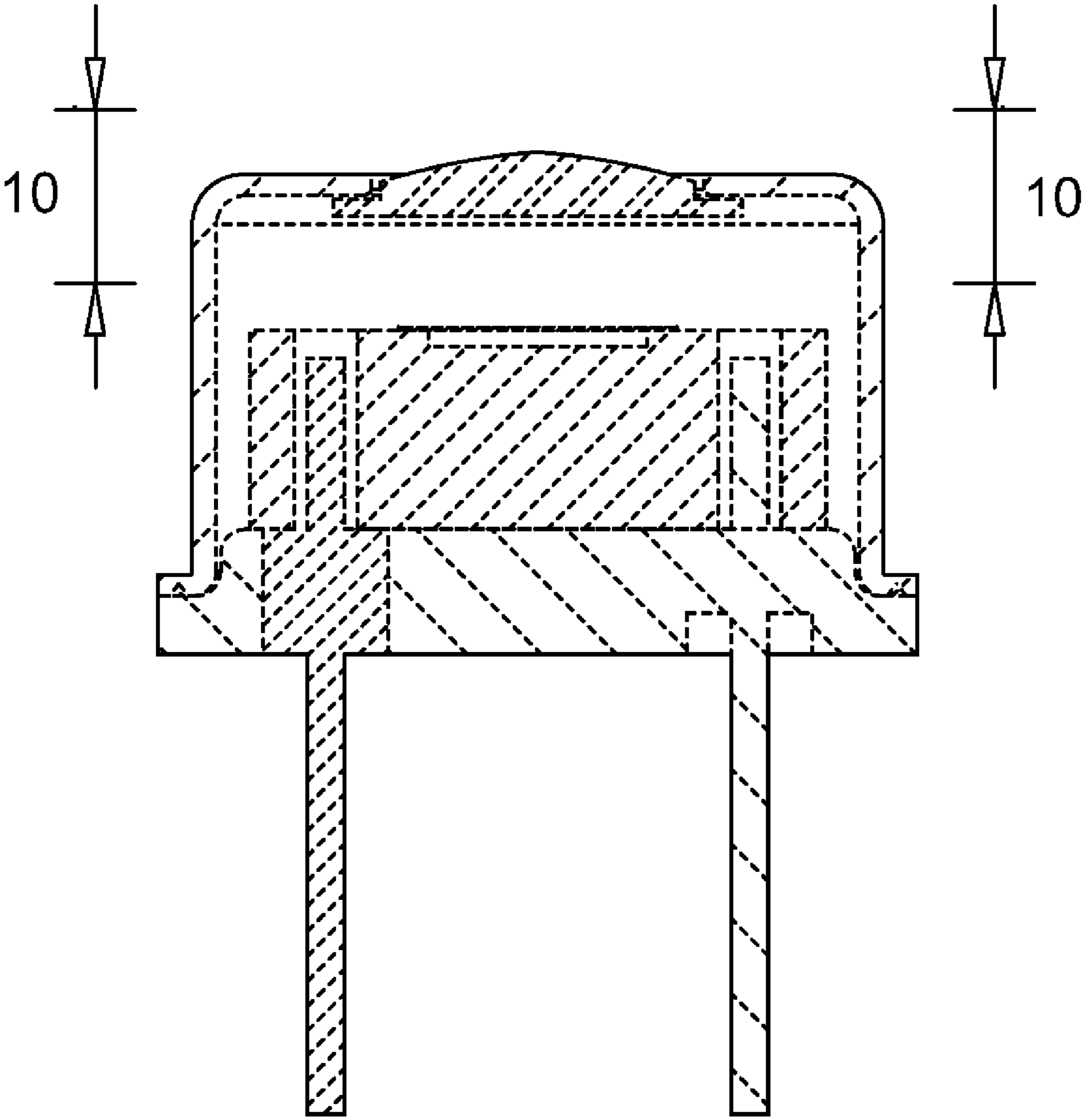


Fig.9

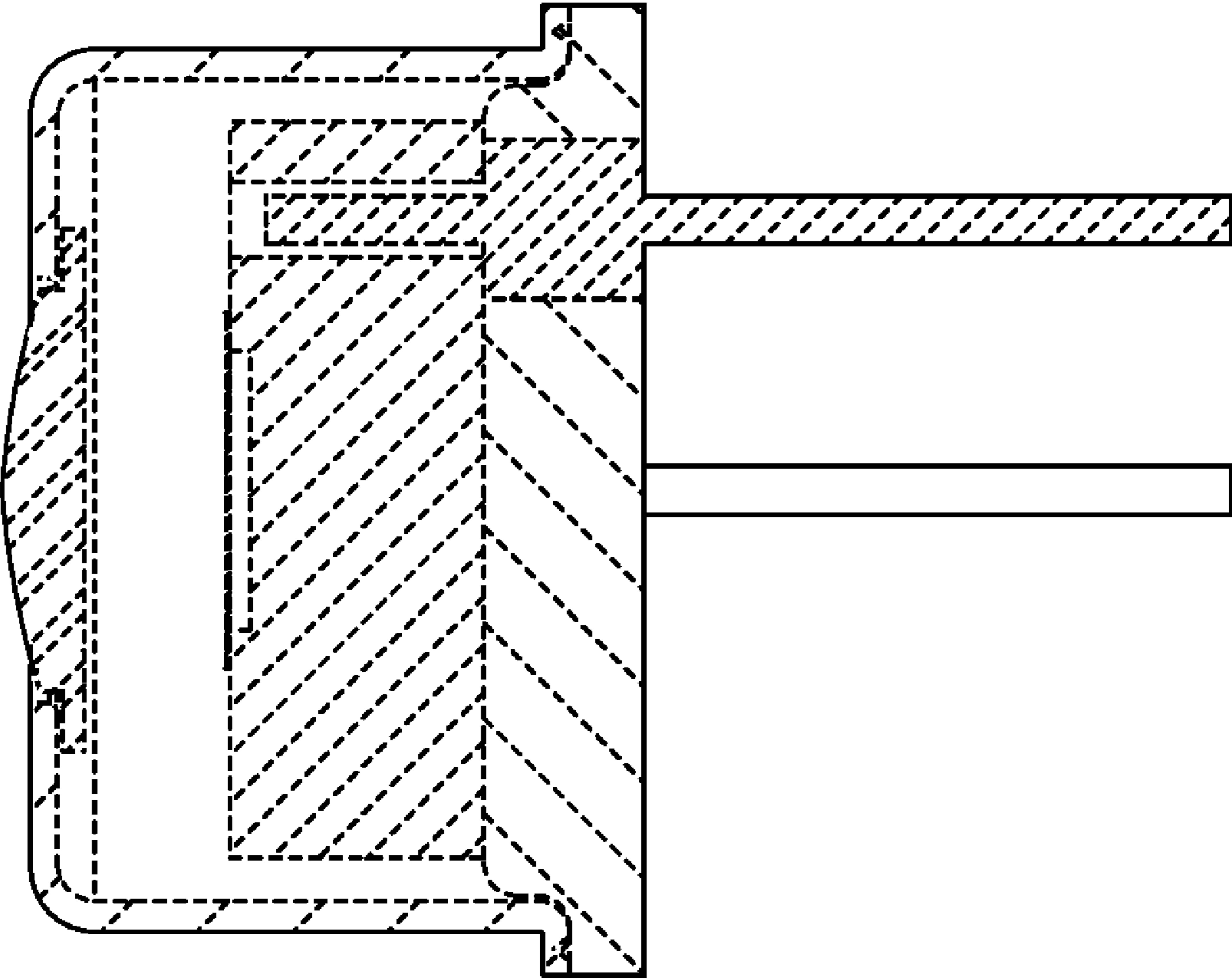


Fig.10

