



US00D623546S

(12) **United States Design Patent**
Nishikawa et al.

(10) **Patent No.:** **US D623,546 S**

(45) **Date of Patent:** **** Sep. 14, 2010**

(54) **DETECTING SENSOR**

2008/0111087 A1* 5/2008 Nishikawa et al. 250/492.1

(75) Inventors: **Takayuki Nishikawa**, Osaka (JP);
Yoshiaki Honda, Soraku-gun (JP);
Tomohiro Kamitsu, Kobe (JP);
Sadayuki Sumi, Ashiya (JP); **Ryo Taniguchi**, Tsu (JP)

* cited by examiner

Primary Examiner—Robert M Spear
Assistant Examiner—George D Kirschbaum
(74) *Attorney, Agent, or Firm*—Marvin A. Motsenbocker;
Mots Law, PLLC

(73) Assignee: **Panasonic Electric Works Co., Ltd.**,
Kadoma-shi (JP)

(57) **CLAIM**

(**) Term: **14 Years**

The ornamental design for a detecting sensor, as shown and described.

(21) Appl. No.: **29/352,543**

(22) Filed: **Dec. 22, 2009**

(30) **Foreign Application Priority Data**

Jun. 23, 2009 (JP) 2009-014219

(51) **LOC (9) Cl.** **10-05**

(52) **U.S. Cl.** **D10/106**

(58) **Field of Classification Search** D10/104,
D10/106; D26/74; 340/521, 540–545, 555,
340/558, 571–573; 250/492.1

See application file for complete search history.

(56) **References Cited**

U.S. PATENT DOCUMENTS

- D286,514 S * 11/1986 Spang D10/106
- D374,189 S * 10/1996 Hubben D10/106
- D411,640 S * 6/1999 Lueken et al. D26/74
- D412,456 S * 8/1999 Uehara D10/106
- D434,686 S * 12/2000 Denman D10/106
- D447,969 S * 9/2001 Shimomoto et al. D10/85
- D497,879 S * 11/2004 Kawamura et al. D13/165

DESCRIPTION

FIG. 1 is a perspective view of a detecting sensor;

FIG. 2 is a front view thereof;

FIG. 3 is a right side view thereof;

FIG. 4 is a top plan view thereof;

FIG. 5 is a rear view thereof;

FIG. 6 is a left side view thereof;

FIG. 7 is a bottom plan view thereof;

FIG. 8 is an 8—8 cross-sectional view thereof without internal structure;

FIG. 9 is a 9—9 cross-sectional view thereof without internal structure; and,

FIG. 10 is an enlarged 10—10 partial view thereof.

The square area on the top of the sensor cover is a translucent surface.

The broken line showing of internal structures shown in FIGS. 8-10 form no part of the claimed design.

1 Claim, 10 Drawing Sheets

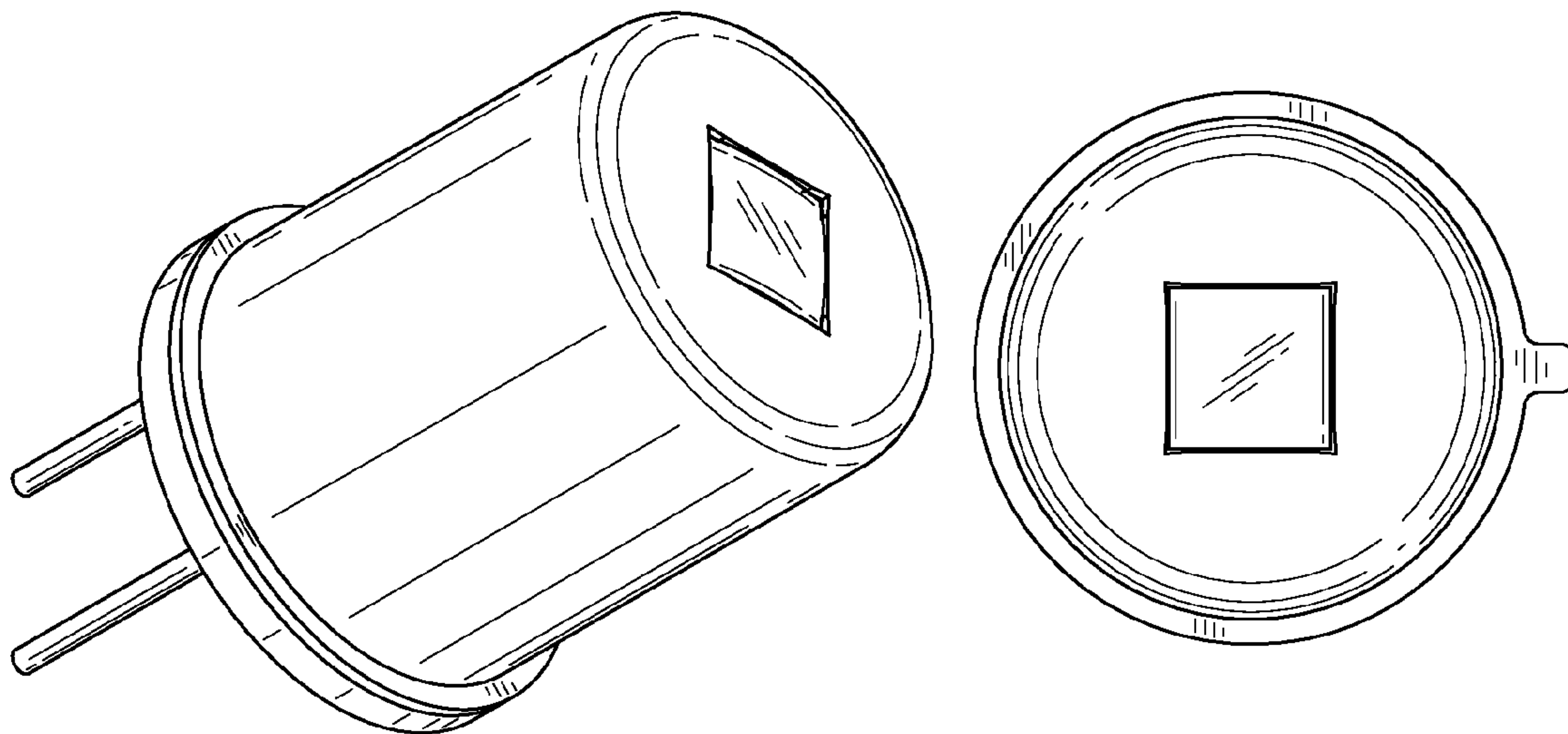


Fig. 1

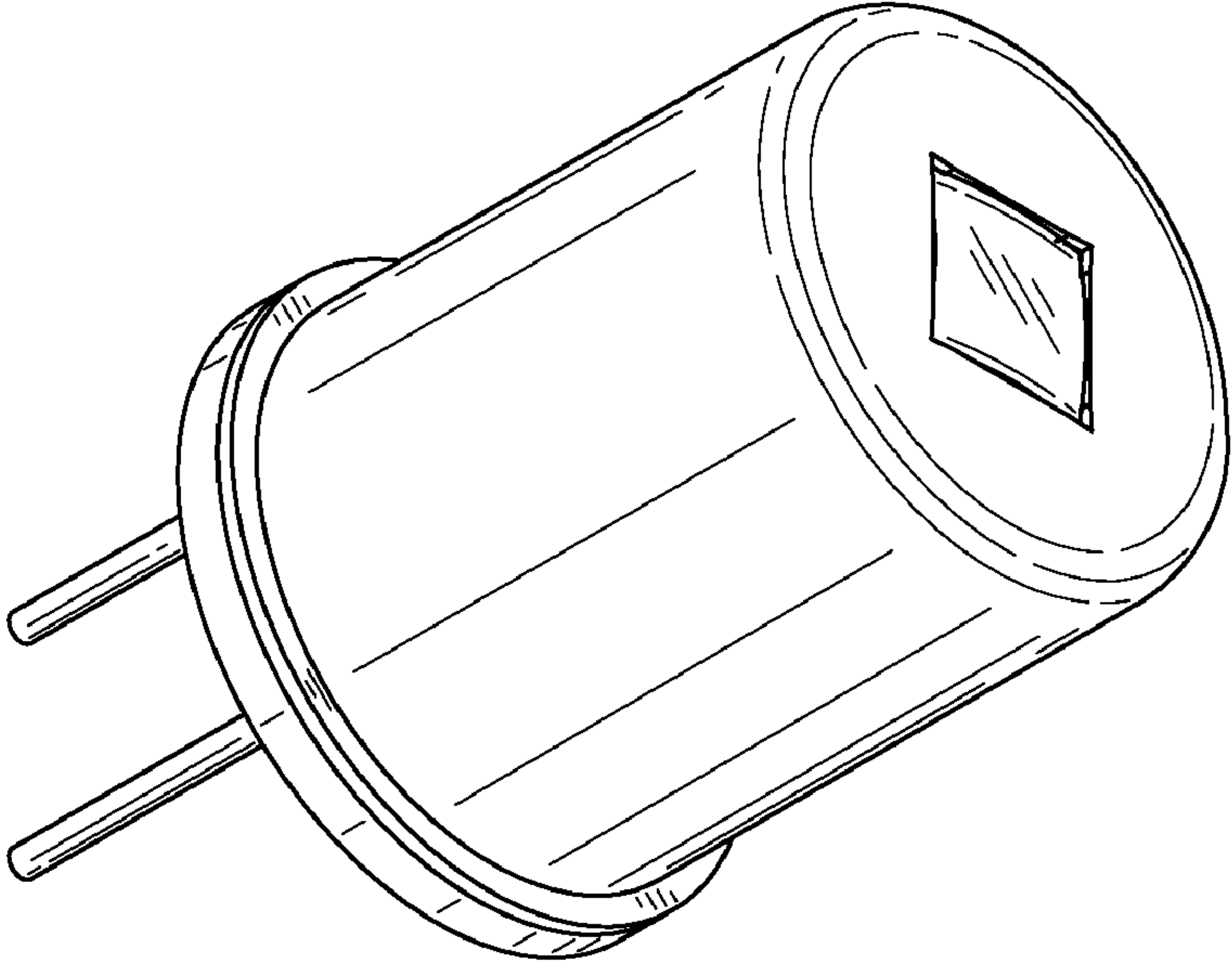


Fig. 2

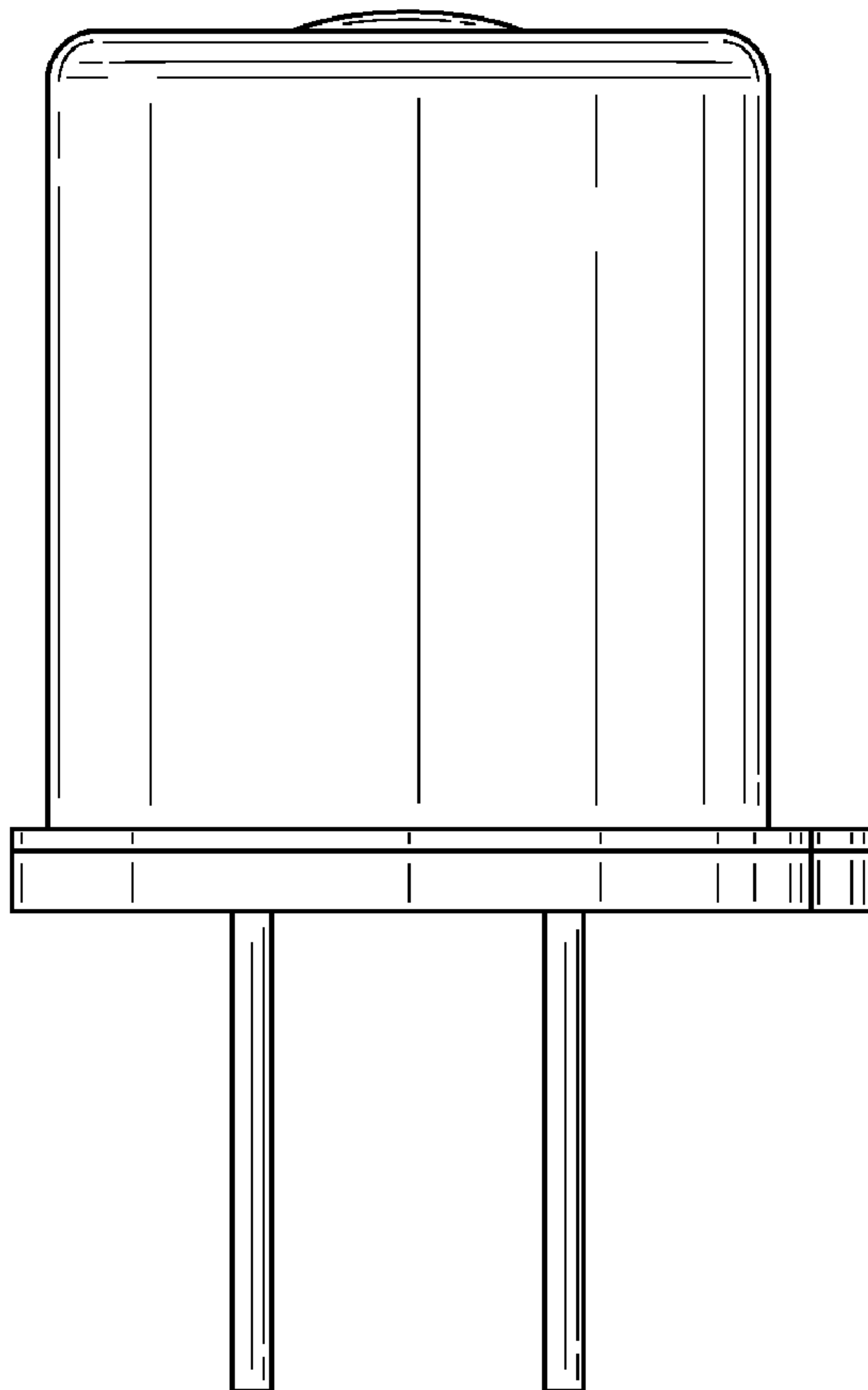


Fig. 3

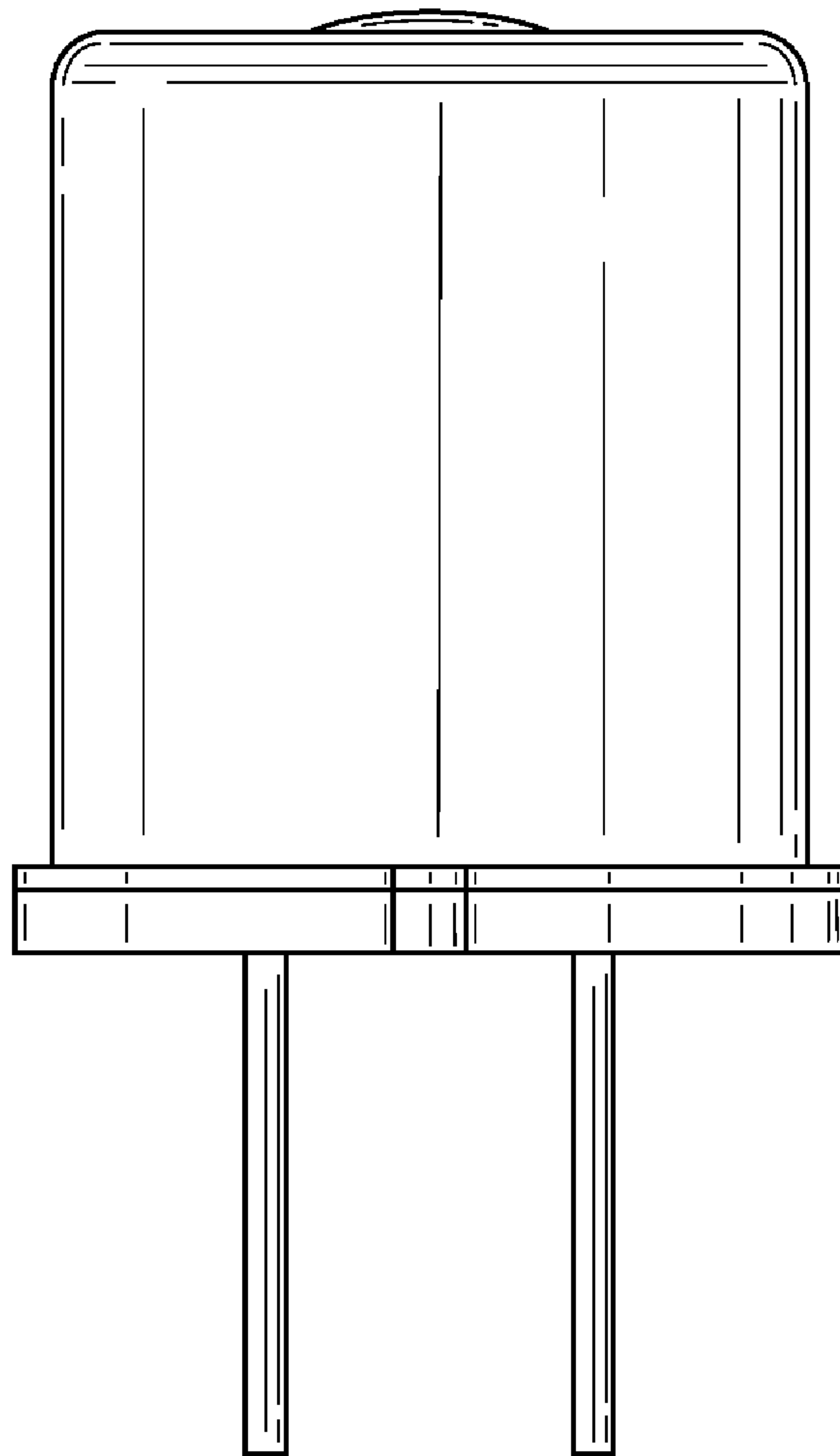


Fig. 4

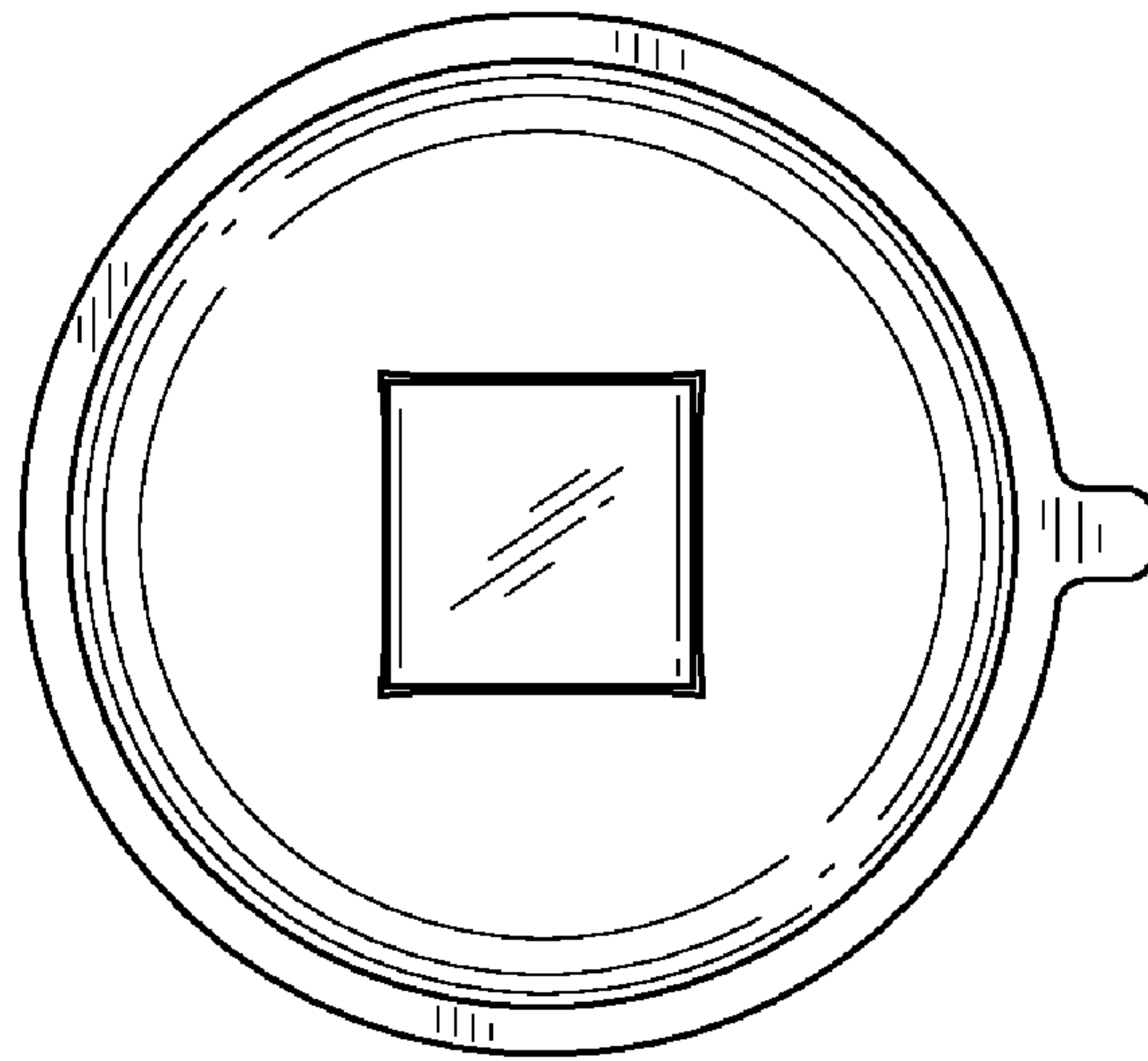


Fig. 5

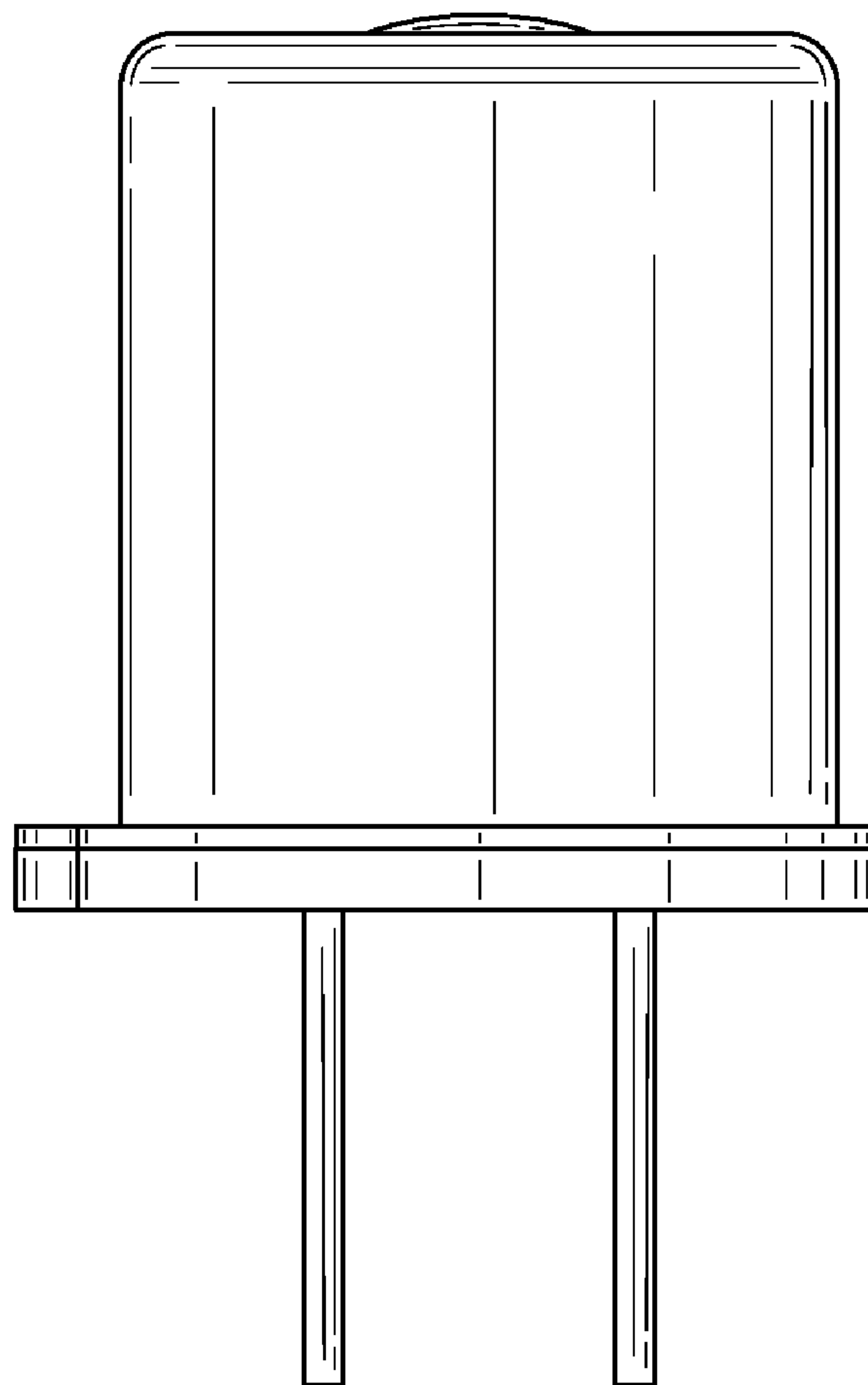


Fig. 6

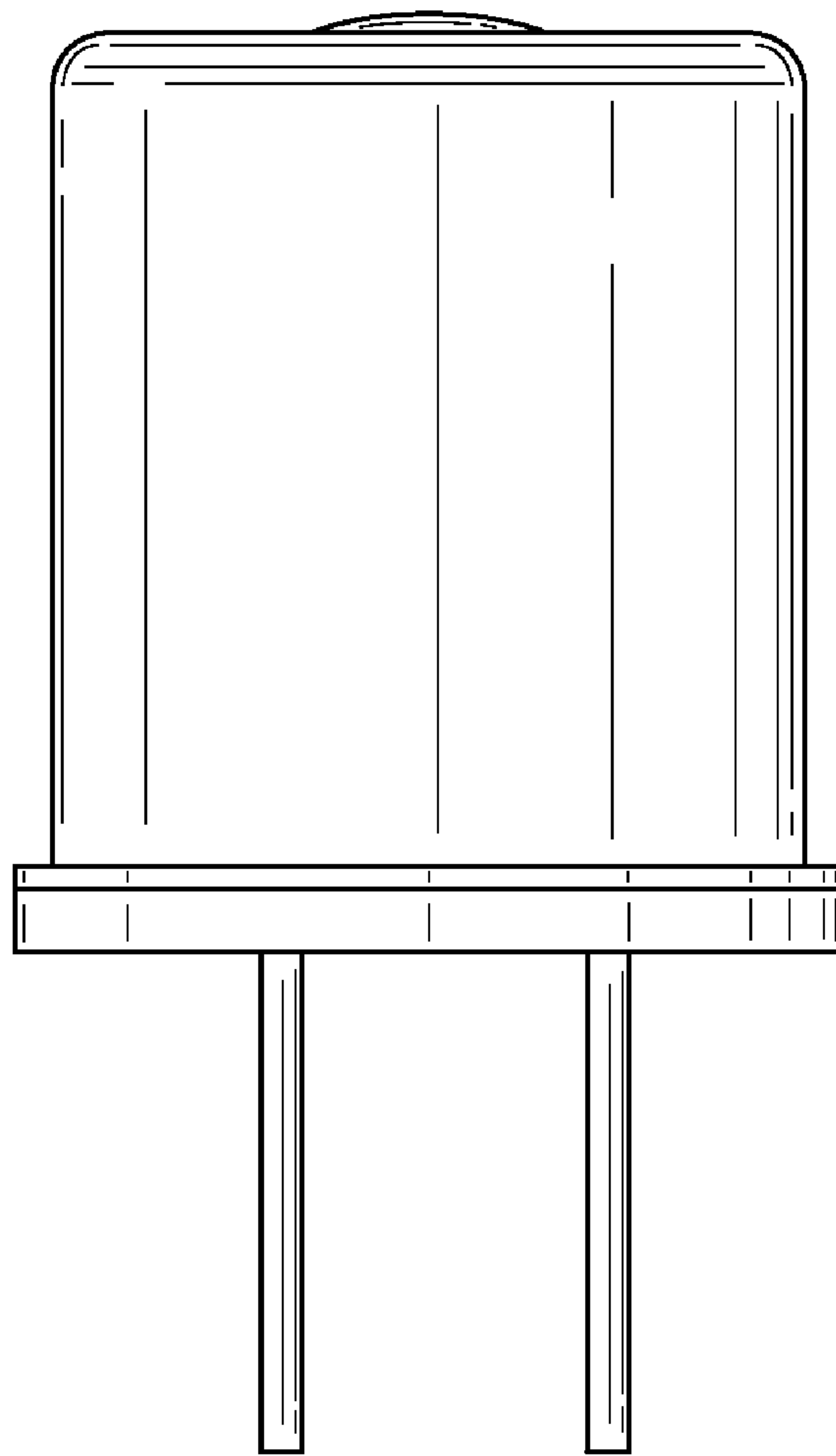


Fig. 7

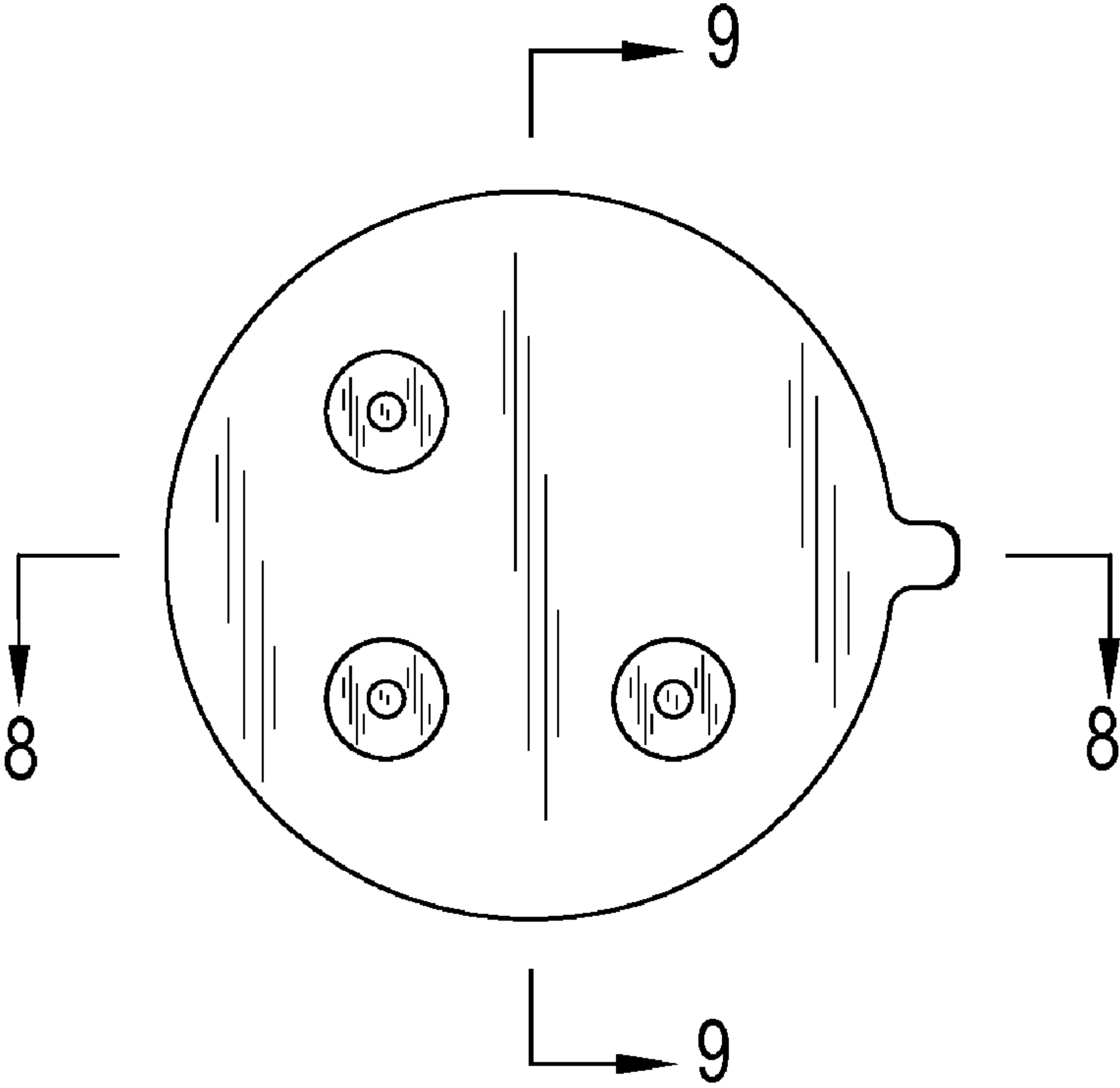


Fig. 8

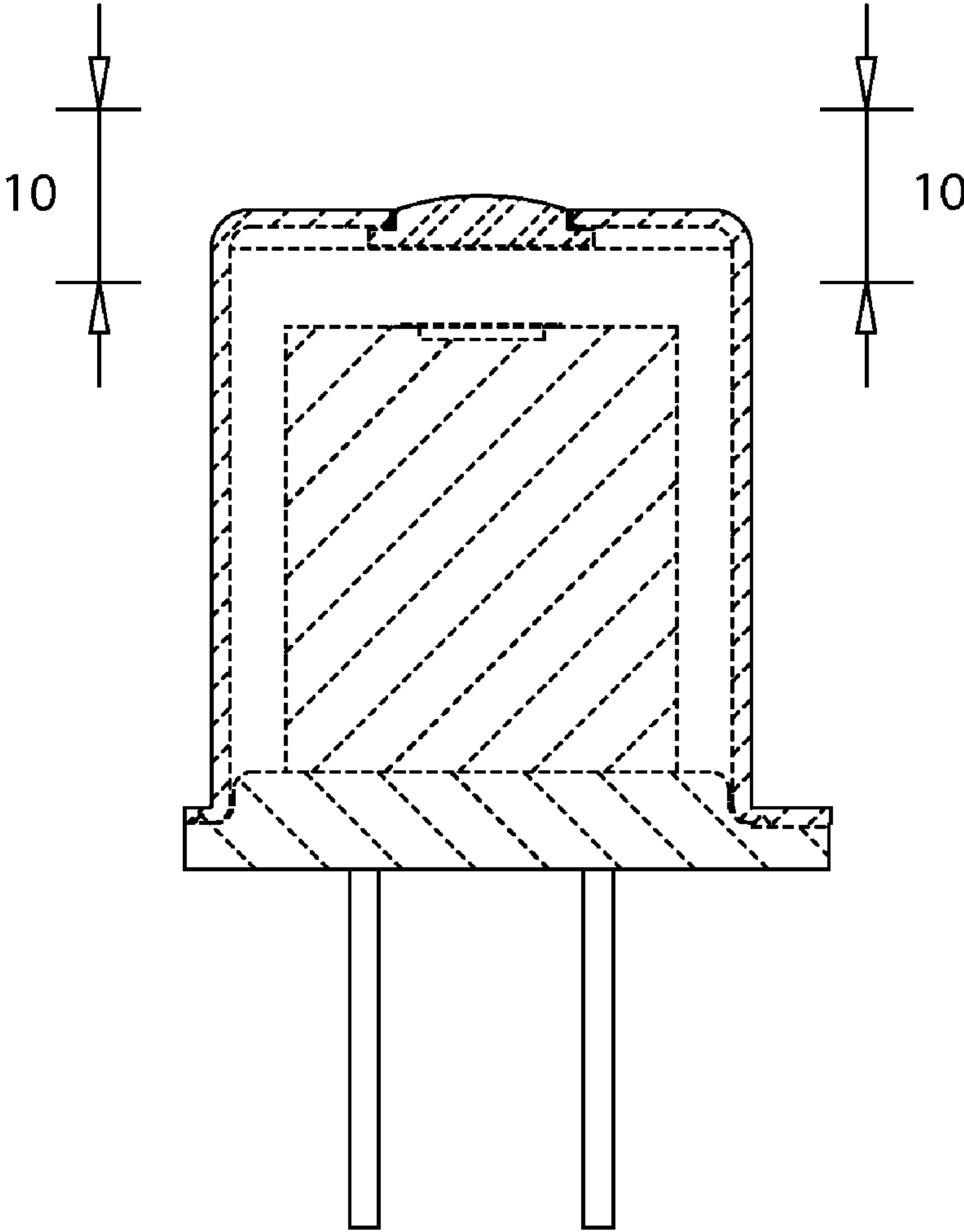


Fig. 9

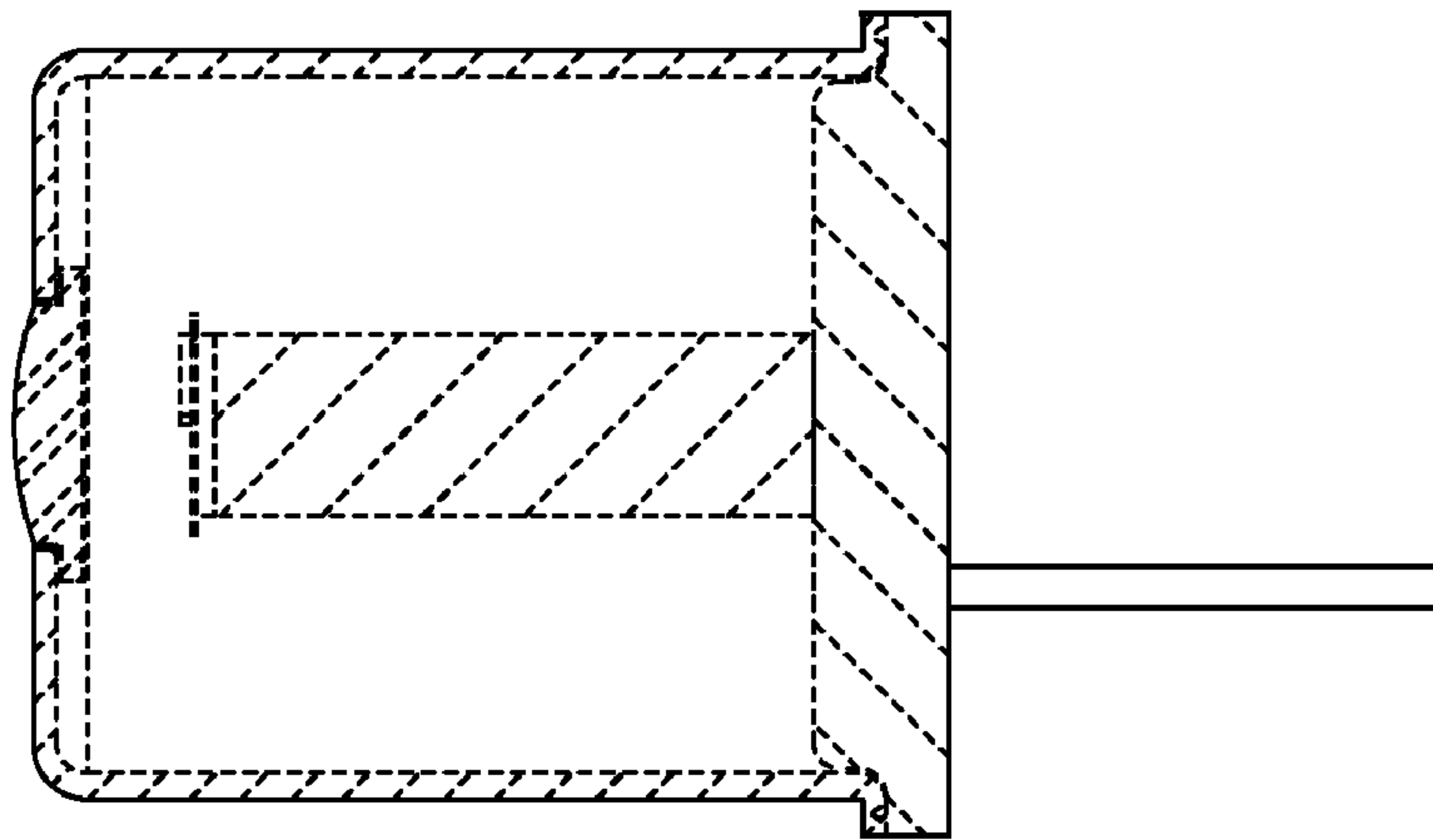


Fig. 10

