



US00D623545S

(12) **United States Design Patent**
Tullney et al.

(10) **Patent No.:** **US D623,545 S**

(45) **Date of Patent:** **** Sep. 14, 2010**

(54) **ELECTRONIC EXHAUSTION INDICATOR
INTENDED FOR USE AS A METER IN
CONJUNCTION WITH A VESSEL
CONTAINING A LIQUID**

DE	8701392	3/1987
DE	10 2008 054 479.5	12/2001
JP	57104354	6/1982
JP	2003130713	5/2003
WO	WO 2010/066798	6/2010

(75) Inventors: **Heiko Tullney**, Hamburg (DE); **Till Muhl**, Hamburg (DE); **Thomas Milewski**, Halstenbek (DE); **Steven Bookbinder**, Prestwich (GB)

OTHER PUBLICATIONS

Brita Water Technology "Instruction for Use" Manual; Cover page and pp. 9-14, publication date unknown but after filing date of priority application.

(73) Assignee: **Brita GmbH**, Taunusstein (DE)

* cited by examiner

(**) Term: **14 Years**

Primary Examiner—Antoine D Davis

(21) Appl. No.: **29/315,244**

(74) *Attorney, Agent, or Firm*—Hudak, Shunk & Farine Co. LPA

(22) Filed: **Jun. 8, 2009**

(57) **CLAIM**

(30) **Foreign Application Priority Data**

Dec. 10, 2008 (DE) 40 2008 006 146

The ornamental design for an "electronic exhaustion indicator intended for use as a meter in conjunction with a vessel containing a liquid," as shown and described.

(51) **LOC (9) Cl.** **10-04**

DESCRIPTION

(52) **U.S. Cl.** **D10/96; D10/81**

FIG. 1 is a top plan view of an electronic exhaustion indicator intended for use as a meter in conjunction with a vessel containing a liquid;

(58) **Field of Classification Search** D10/46,

D10/81, 96; 73/304 R; 340/620; 342/691

See application file for complete search history.

FIG. 2 is a front elevational view thereof showing a portion of a vessel as environmental structure;

(56) **References Cited**

U.S. PATENT DOCUMENTS

4,169,377	A	10/1979	Scheib	
7,221,280	B2 *	5/2007	Hsieh	73/304 R
2005/0229700	A1	10/2005	Chai et al.	
2006/0196263	A1 *	9/2006	Stahlmann et al.	73/304 R
2009/0146670	A1	6/2009	Thobe	

FIG. 3 is a rear elevation view thereof;

FIG. 4 is a right side view thereof, wherein the left side view is a mirror image of the right side view; and,

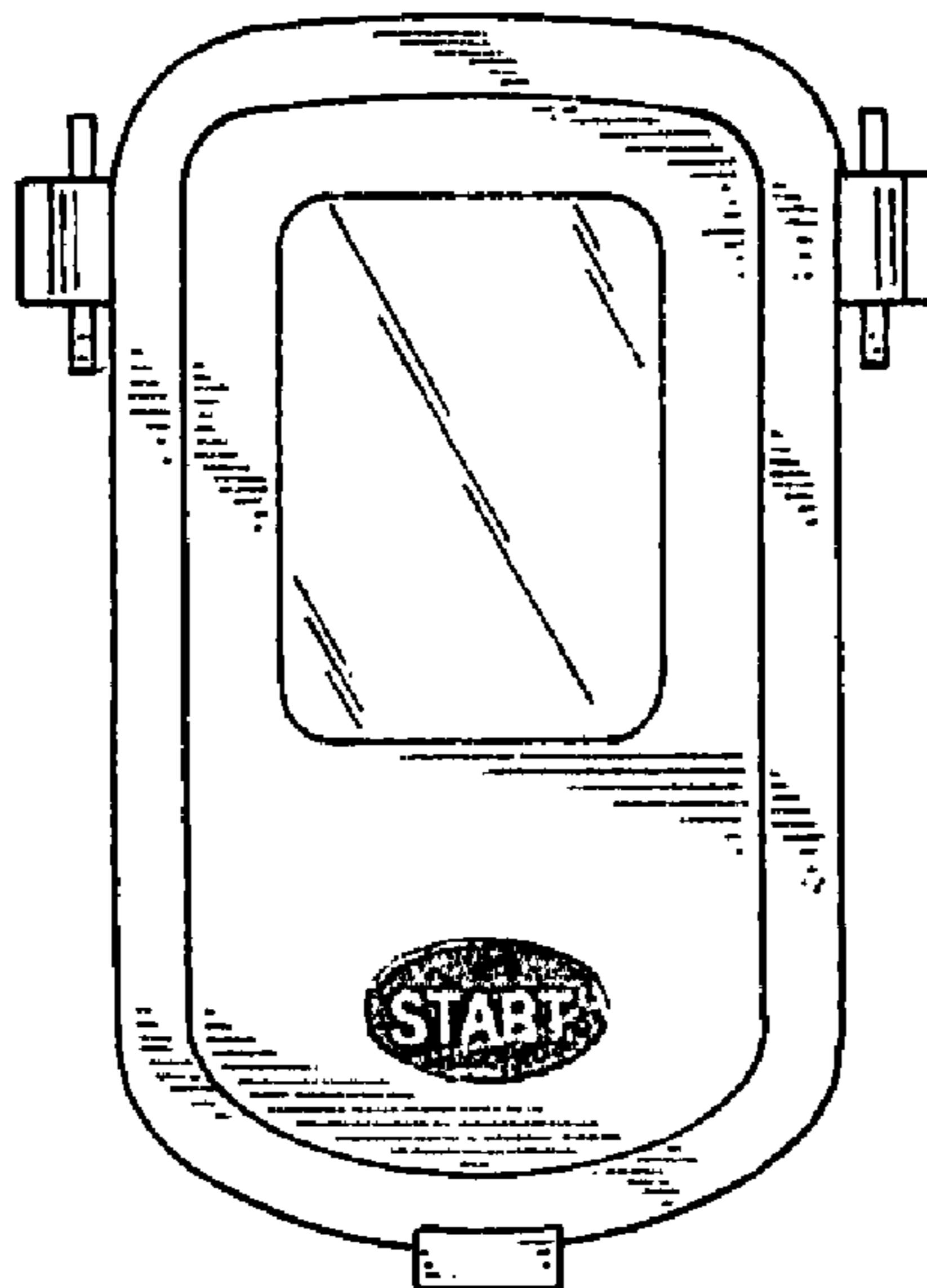
FIG. 5 is a bottom plan view thereof;

The broken line showing of broken lines is included for the purpose of illustrating non-claimed subject matter and forms no part of the claimed design.

FOREIGN PATENT DOCUMENTS

DE 1133140 7/1962

1 Claim, 1 Drawing Sheet



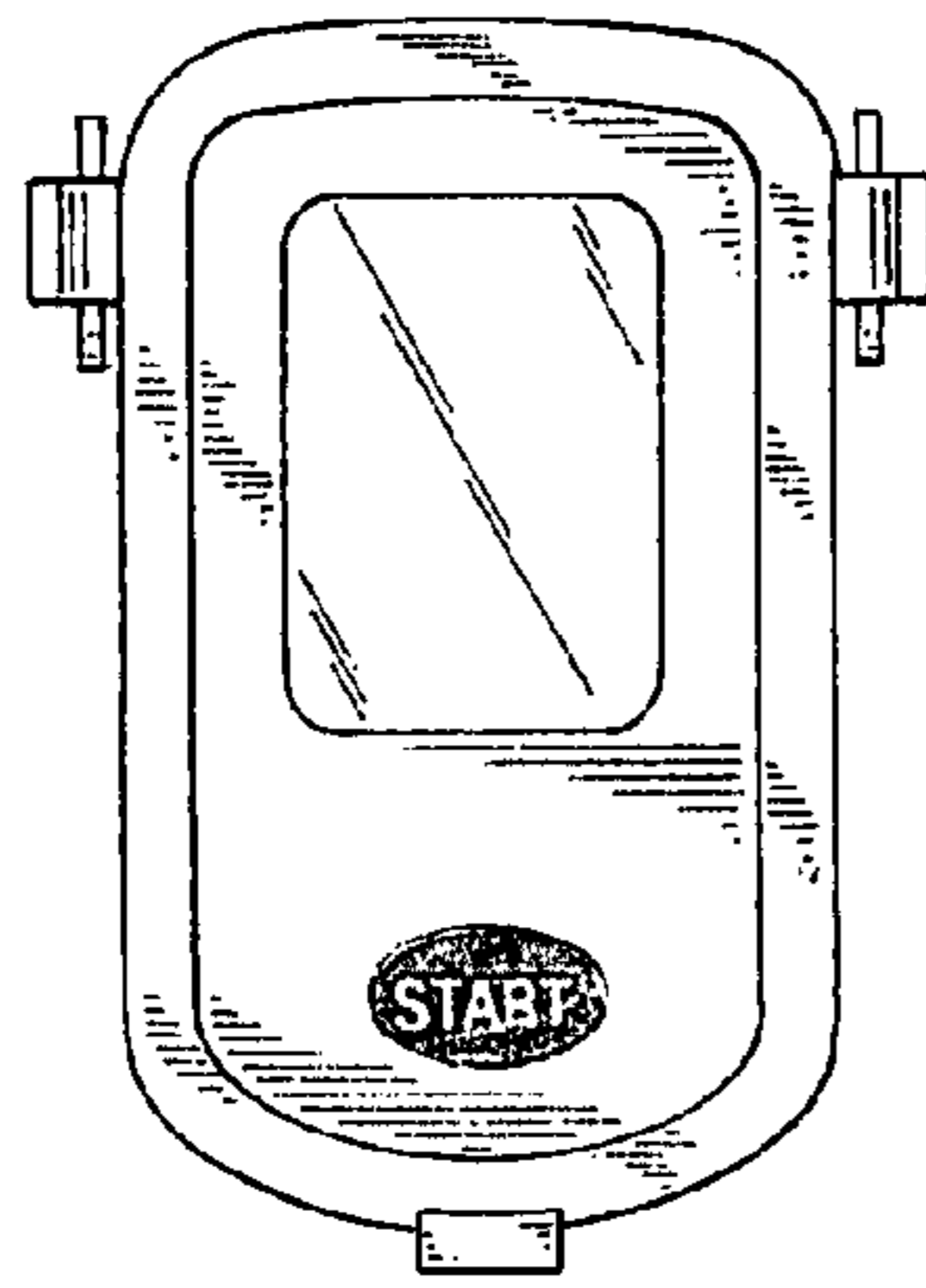


FIG.-1

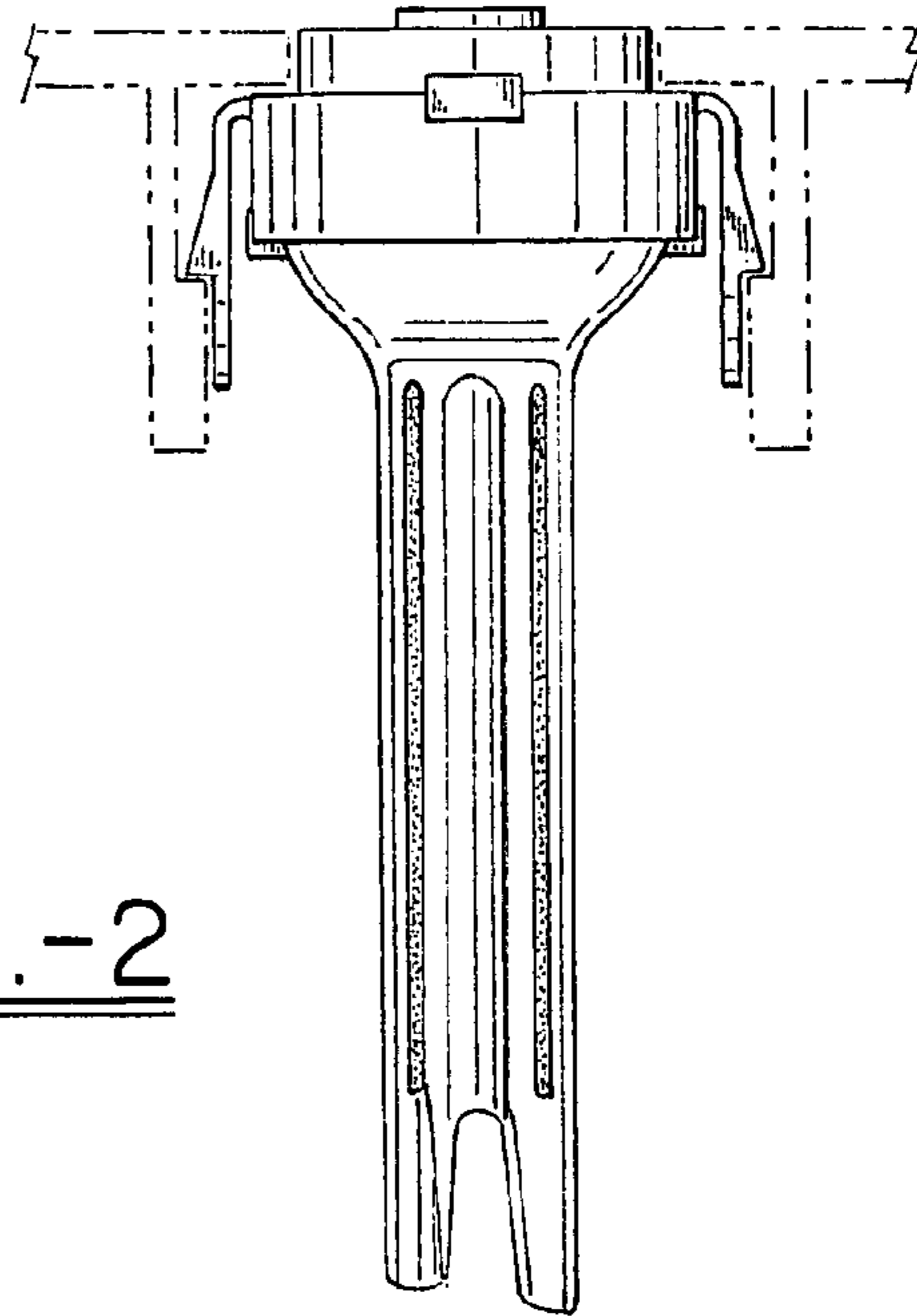


FIG.-2

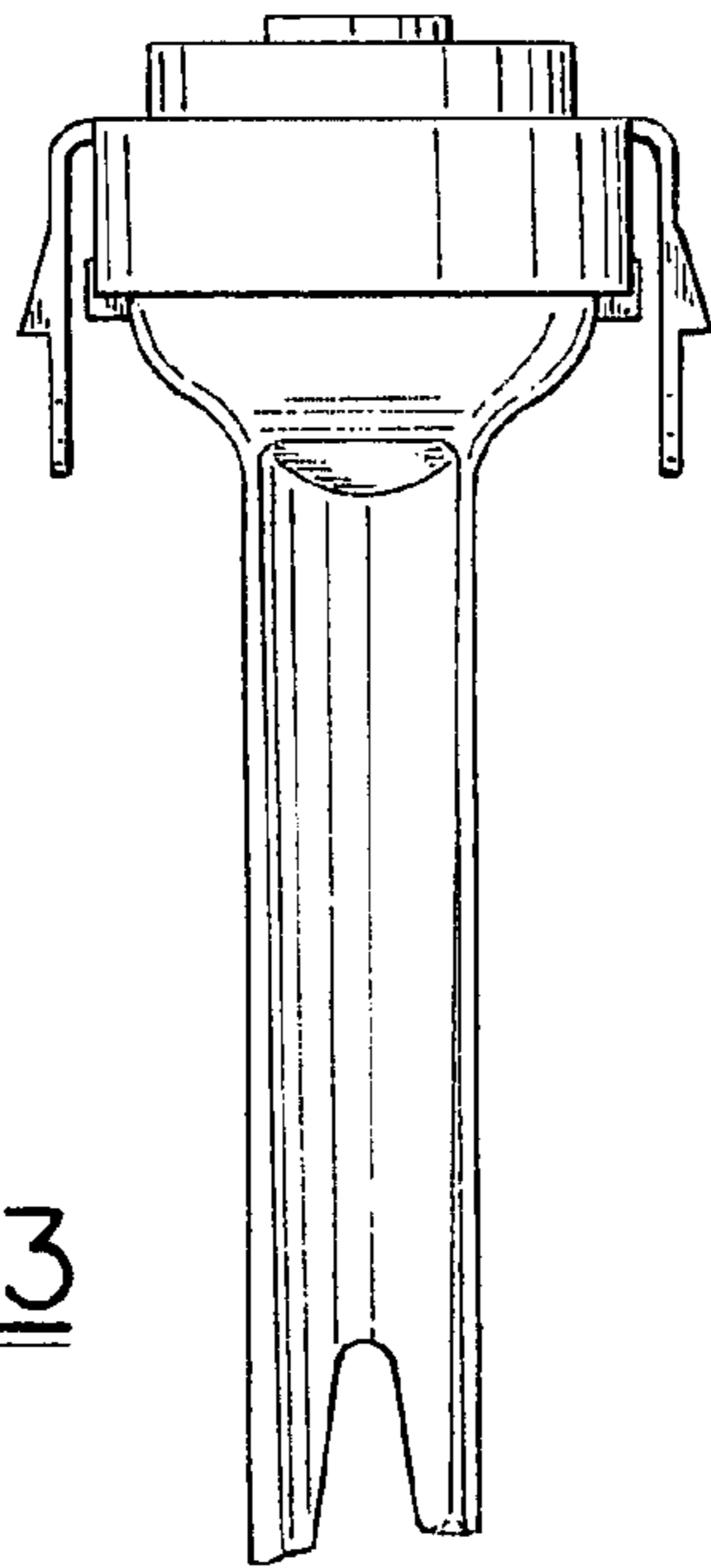


FIG.-3

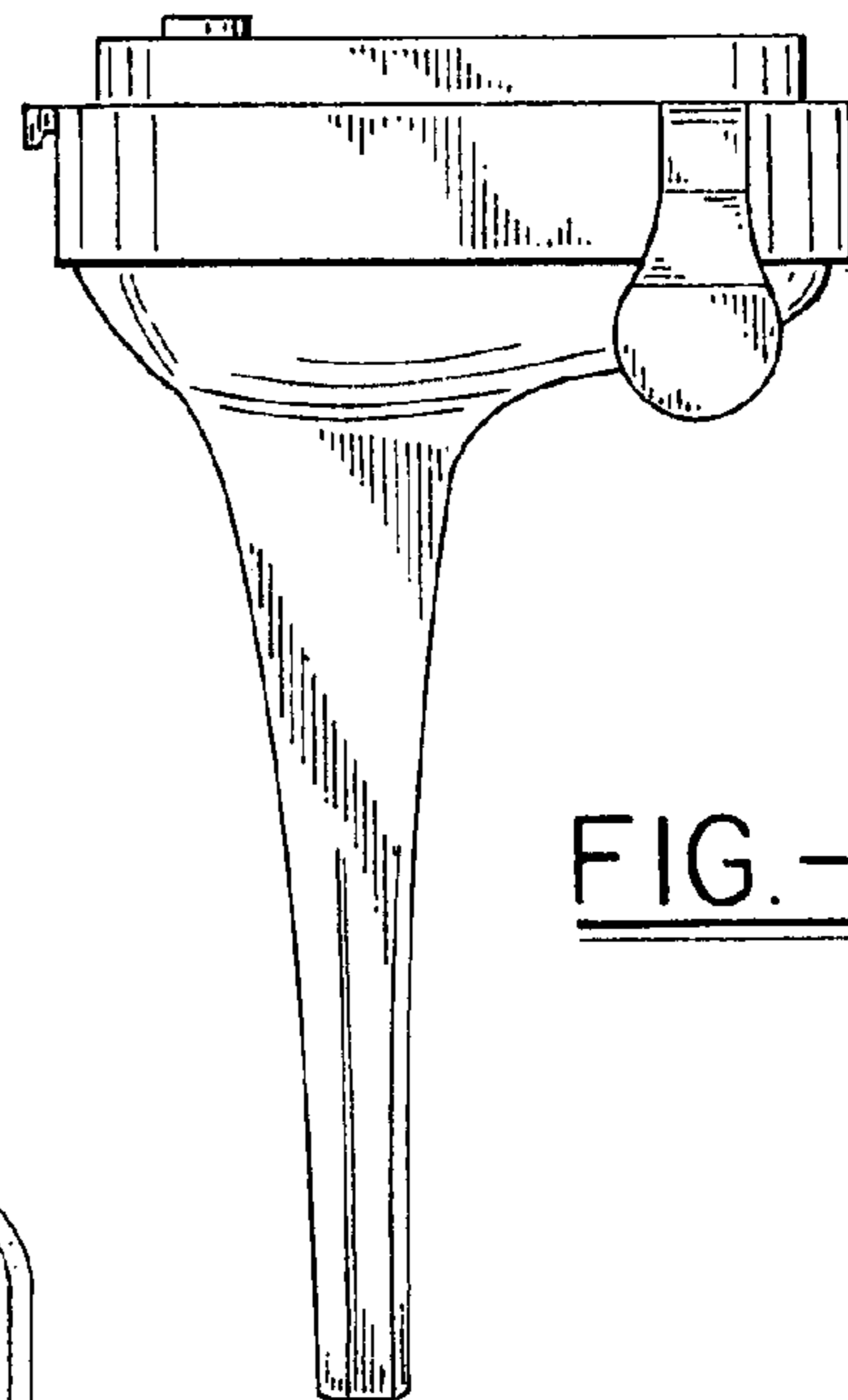


FIG.-4

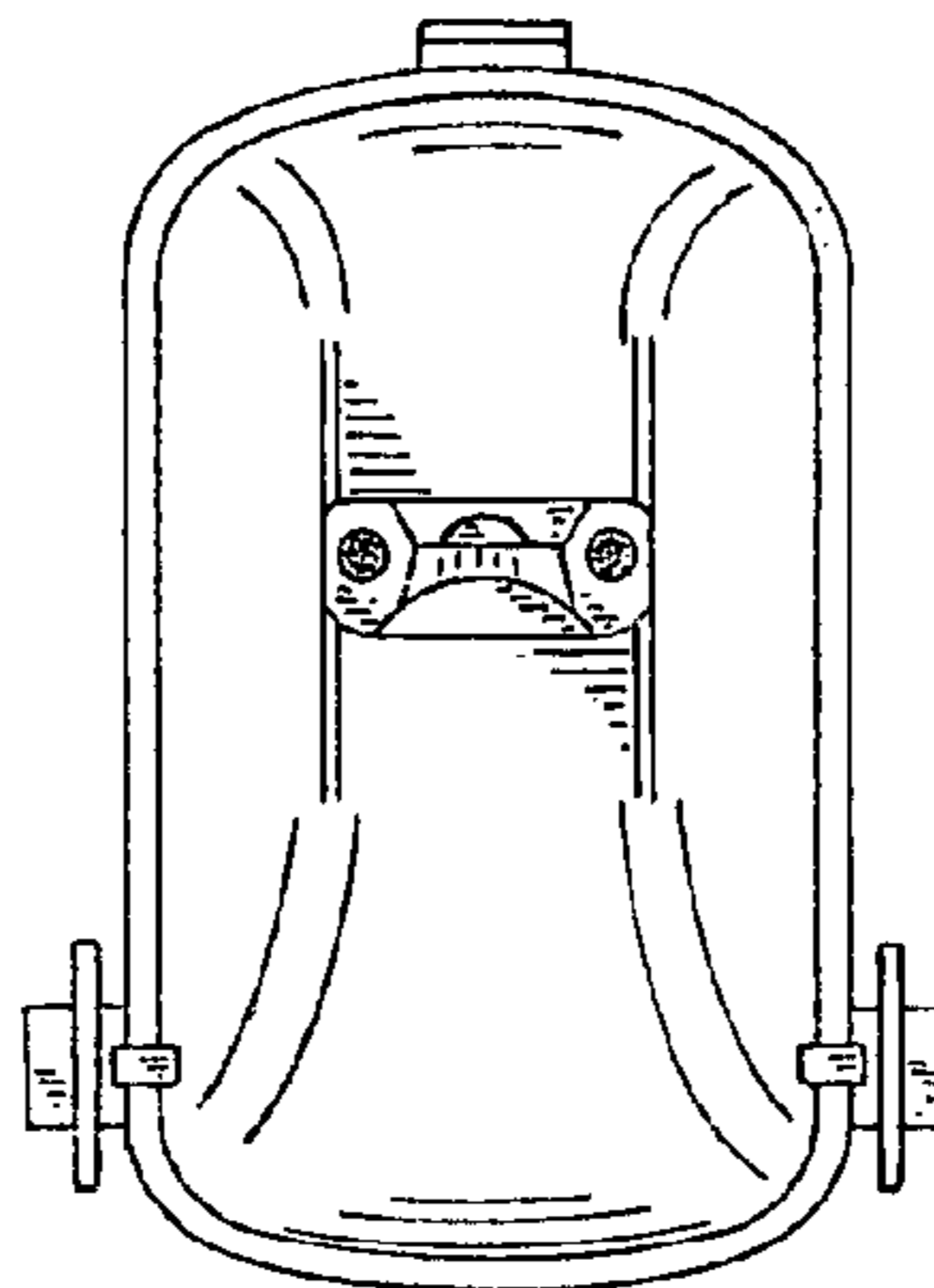


FIG.-5