



US00D623544S

(12) **United States Design Patent**  
**Kim et al.**

(10) **Patent No.:** **US D623,544 S**

(45) **Date of Patent:** **\*\* Sep. 14, 2010**

(54) **BOX LEVEL**

(75) Inventors: **Charles Dunn Kim**, Raleigh, NC (US);  
**Steven Wayne Bockmann**, Raleigh, NC  
(US); **Ryan Sprouse Dart**, Raleigh, NC  
(US); **John R. Christianson**, Waukesha,  
WI (US)

(73) Assignee: **Empire Level Mfg. Co.**, Mukwonago,  
WI (US)

(\*\*) Term: **14 Years**

(21) Appl. No.: **29/346,312**

(22) Filed: **Oct. 29, 2009**

(51) **LOC (9) Cl.** ..... **10-04**

(52) **U.S. Cl.** ..... **D10/69**

(58) **Field of Classification Search** ..... D10/69;  
33/362, 366.11–366.27, 367–391

See application file for complete search history.

(56) **References Cited**

U.S. PATENT DOCUMENTS

3,984,919	A	10/1976	Guisti	
D459,251	S *	6/2002	Scheyer	D10/69
D479,139	S	9/2003	Kallabis et al.	
D498,152	S *	11/2004	Hickey	D10/69
D503,636	S *	4/2005	Kim	D10/69
D514,961	S	2/2006	Kim	
7,073,270	B2 *	7/2006	Kim	33/365
D546,214	S *	7/2007	Schwartz et al.	D10/69
D573,908	S *	7/2008	Levinson	D10/69
D582,808	S *	12/2008	Cook	D10/69

2007/0234581 A1 10/2007 Ming

\* cited by examiner

*Primary Examiner*—Antoine D Davis

(74) *Attorney, Agent, or Firm*—Jansson Shupe & Munger Ltd

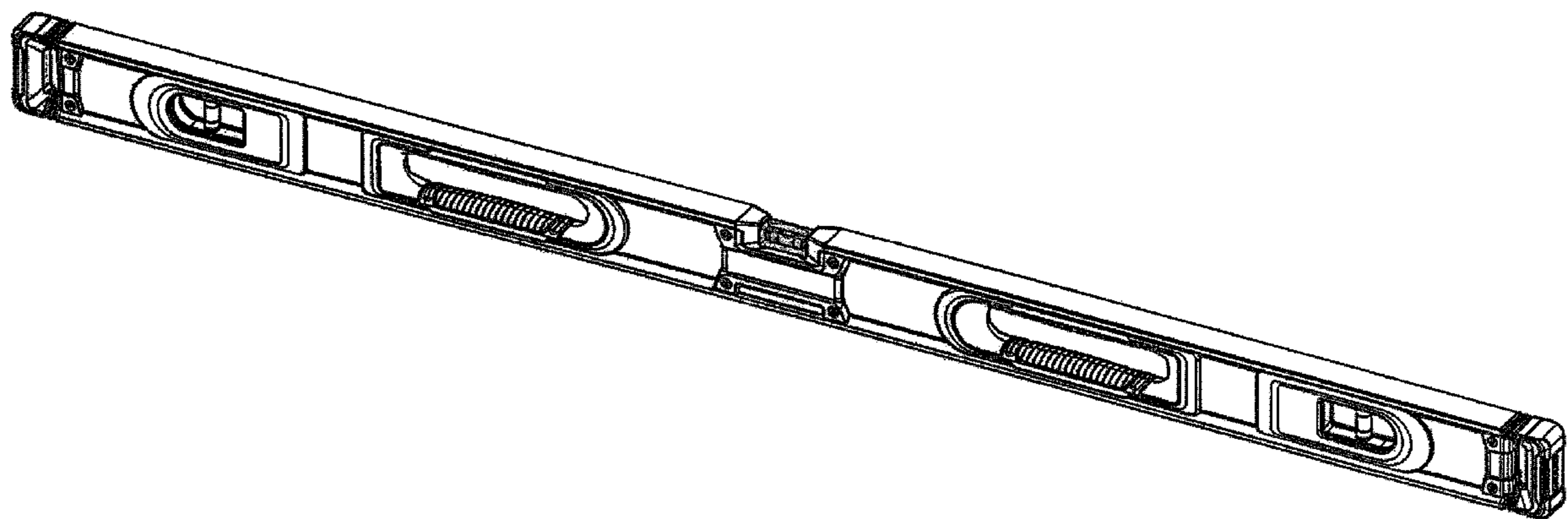
(57) **CLAIM**

The ornamental design for a box level, as shown and described.

**DESCRIPTION**

FIG. 1 is a perspective view of the box level;  
 FIG. 2 is a front elevation of the box level of FIG. 1;  
 FIG. 3 is a rear elevation of the box level of FIG. 1;  
 FIG. 4 is a right-side elevation of the box level of FIG. 1;  
 FIG. 5 is a left-side elevation of the box level of FIG. 1;  
 FIG. 6 is a top view of the box level of FIG. 1;  
 FIG. 7 is a bottom view of the box level of FIG. 1;  
 FIG. 8 is a fragmentary perspective view showing a central-vial region of the box level of FIG. 1;  
 FIG. 9 is an enlarged fragmentary front elevation of the central-vial region of the box level of FIG. 1, an enlarged rear elevation of the central-vial region is a mirror image thereof;  
 FIG. 10 is an enlarged fragmentary top elevation of a central-vial region of the box level of FIG. 1; and  
 FIG. 11 is a fragmentary perspective view showing an end-cap region of the box level of FIG. 1; and,  
 FIG. 12 is a fragmentary perspective view showing an hand-hole region of the box level of FIG. 1.

**1 Claim, 10 Drawing Sheets**



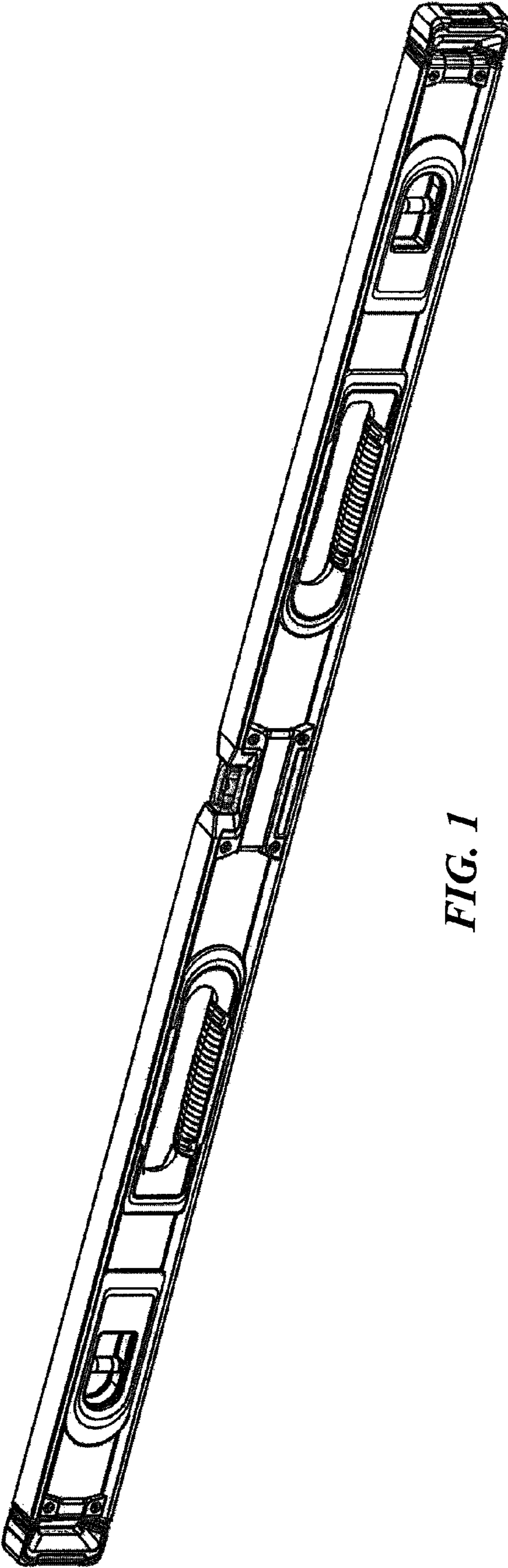
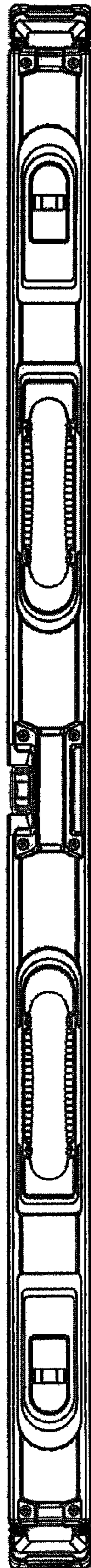
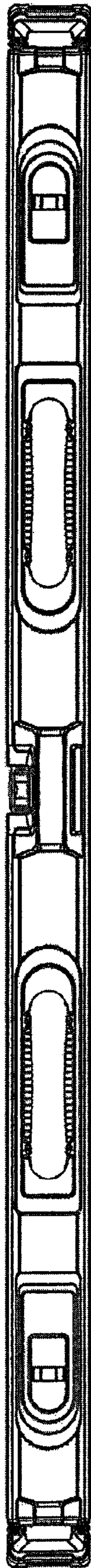


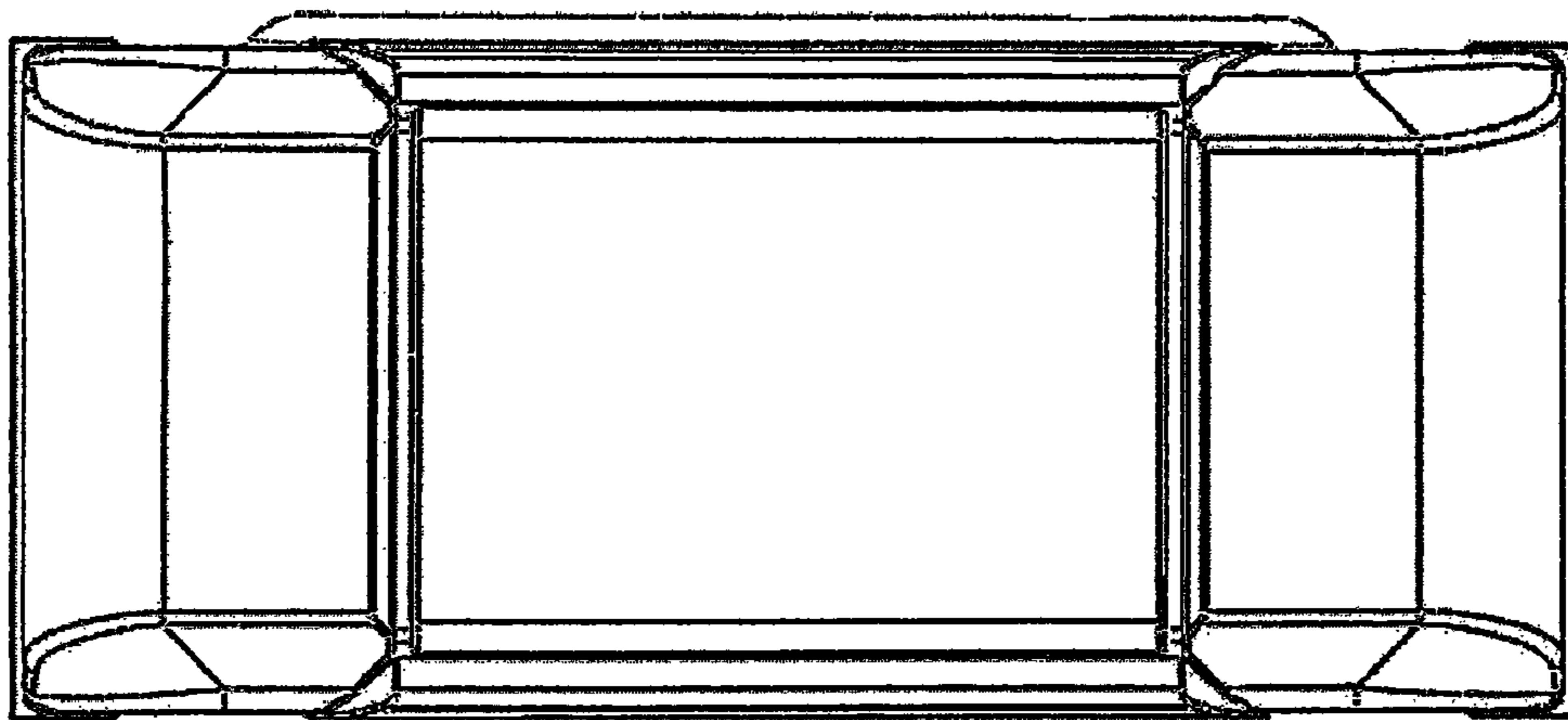
FIG. 1



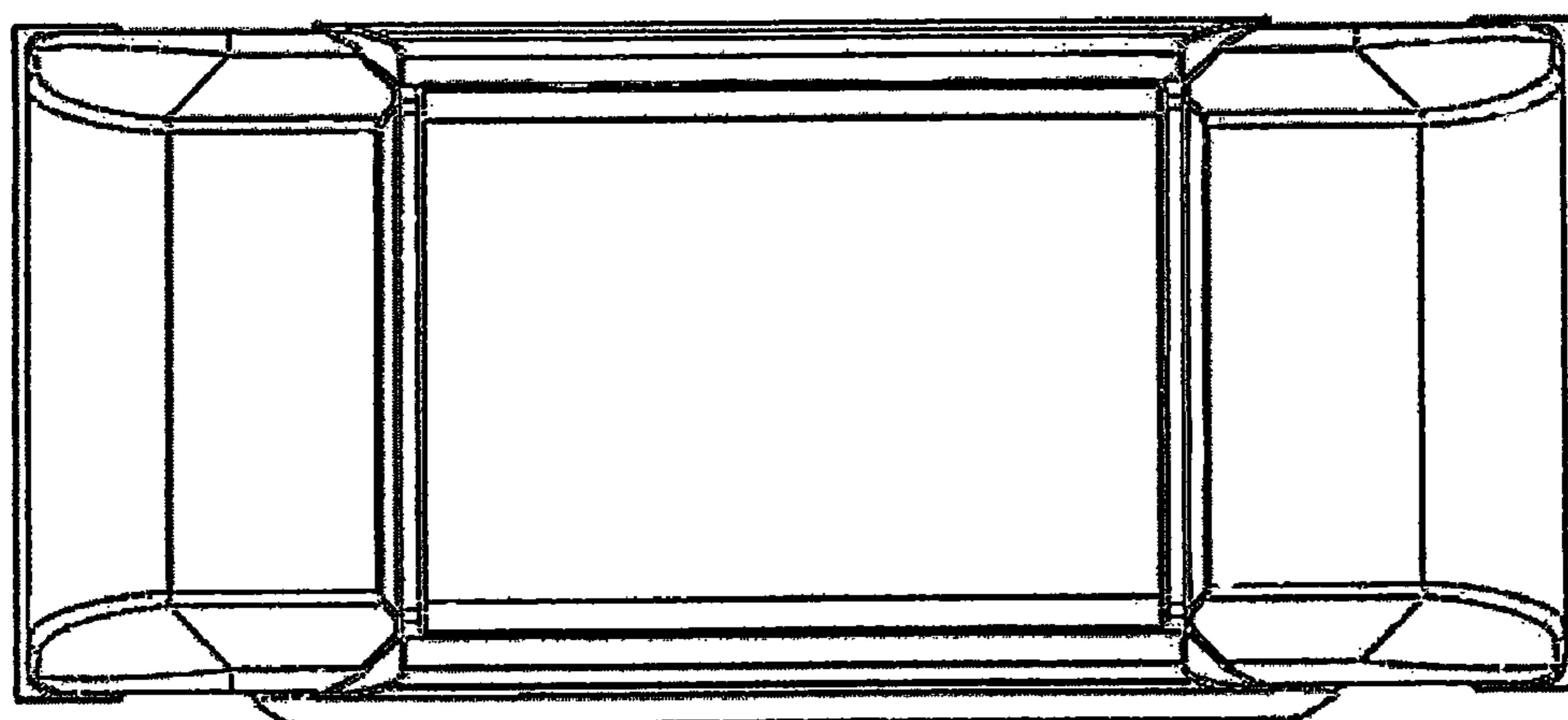
*FIG. 2*



*FIG. 3*



*FIG. 5*



*FIG. 4*



*FIG. 6*



*FIG. 7*

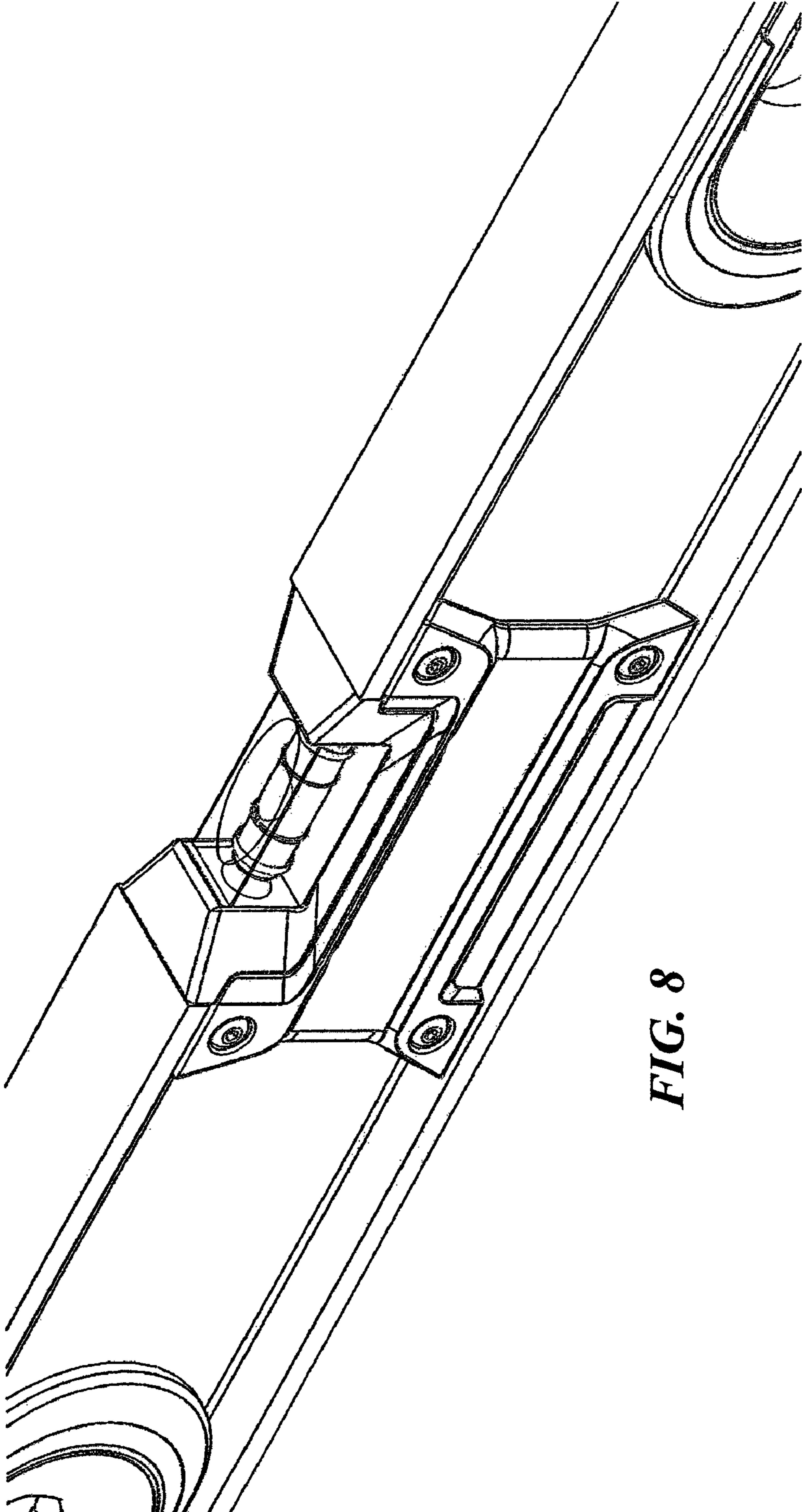
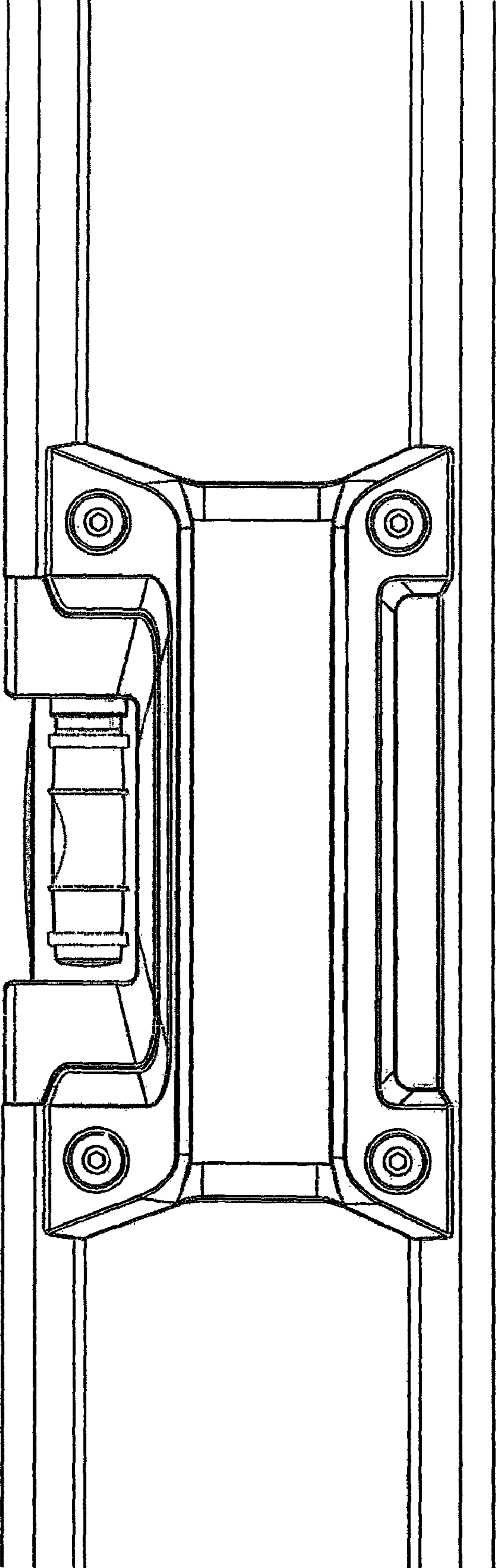
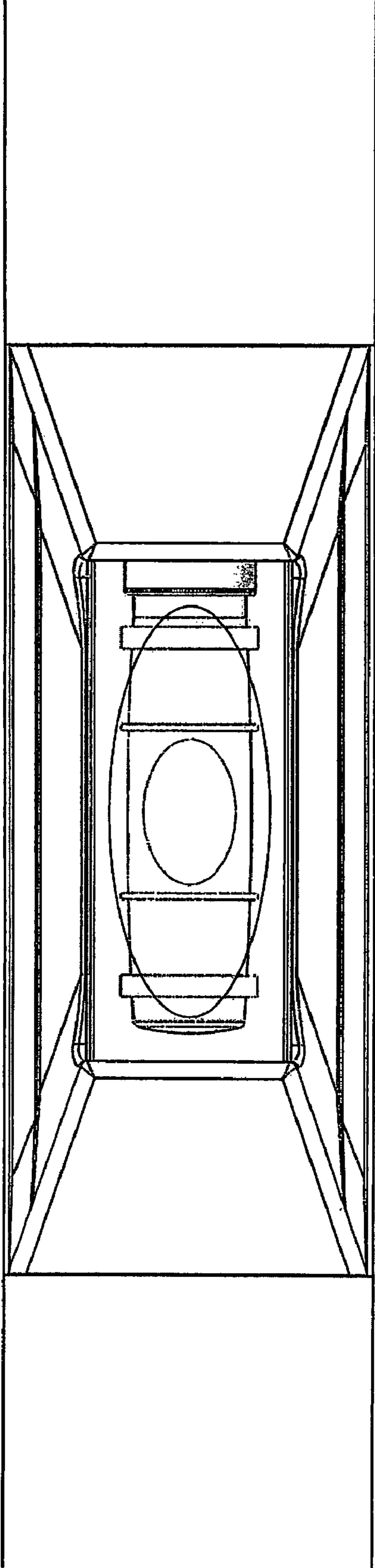


FIG. 8

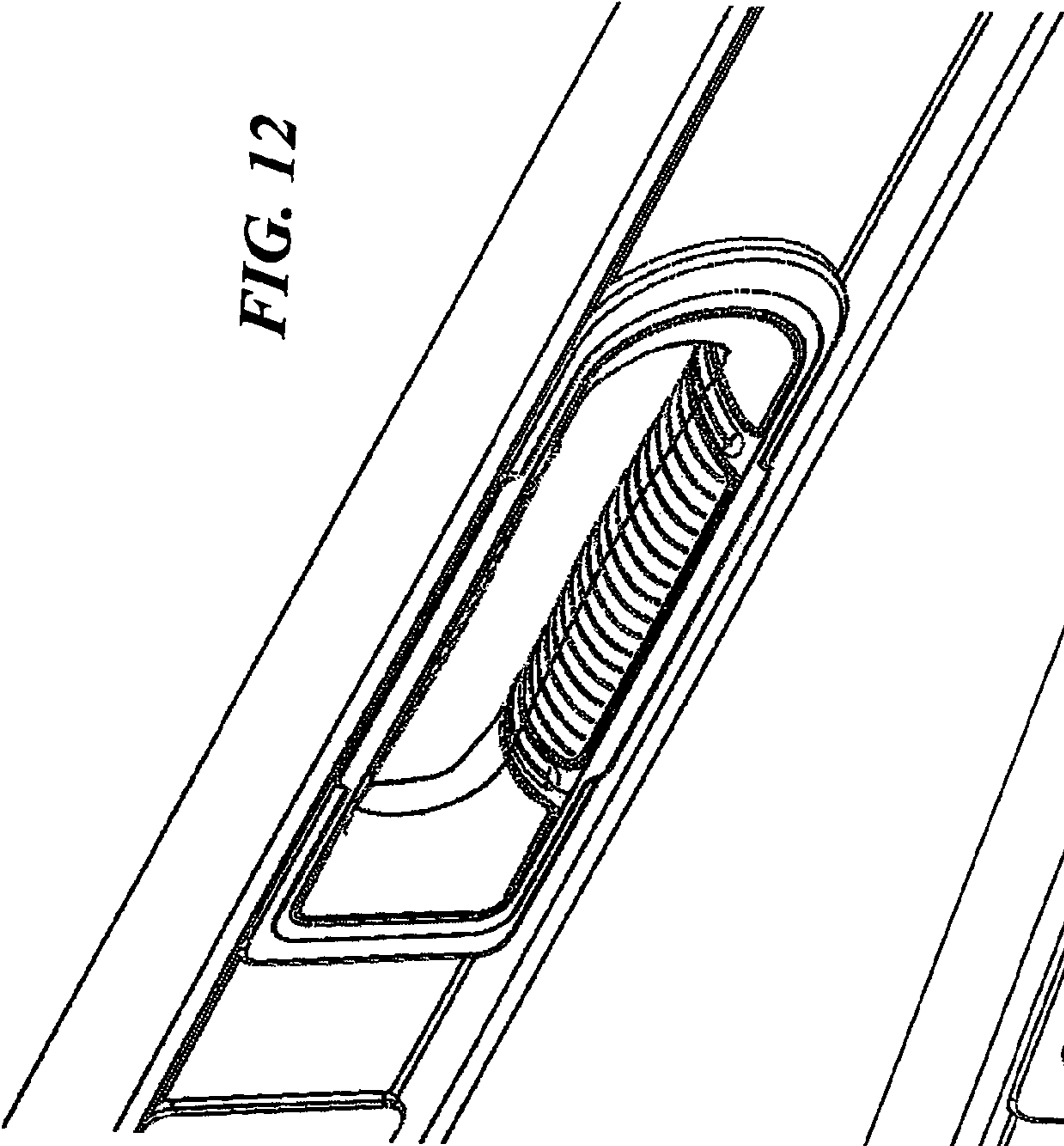




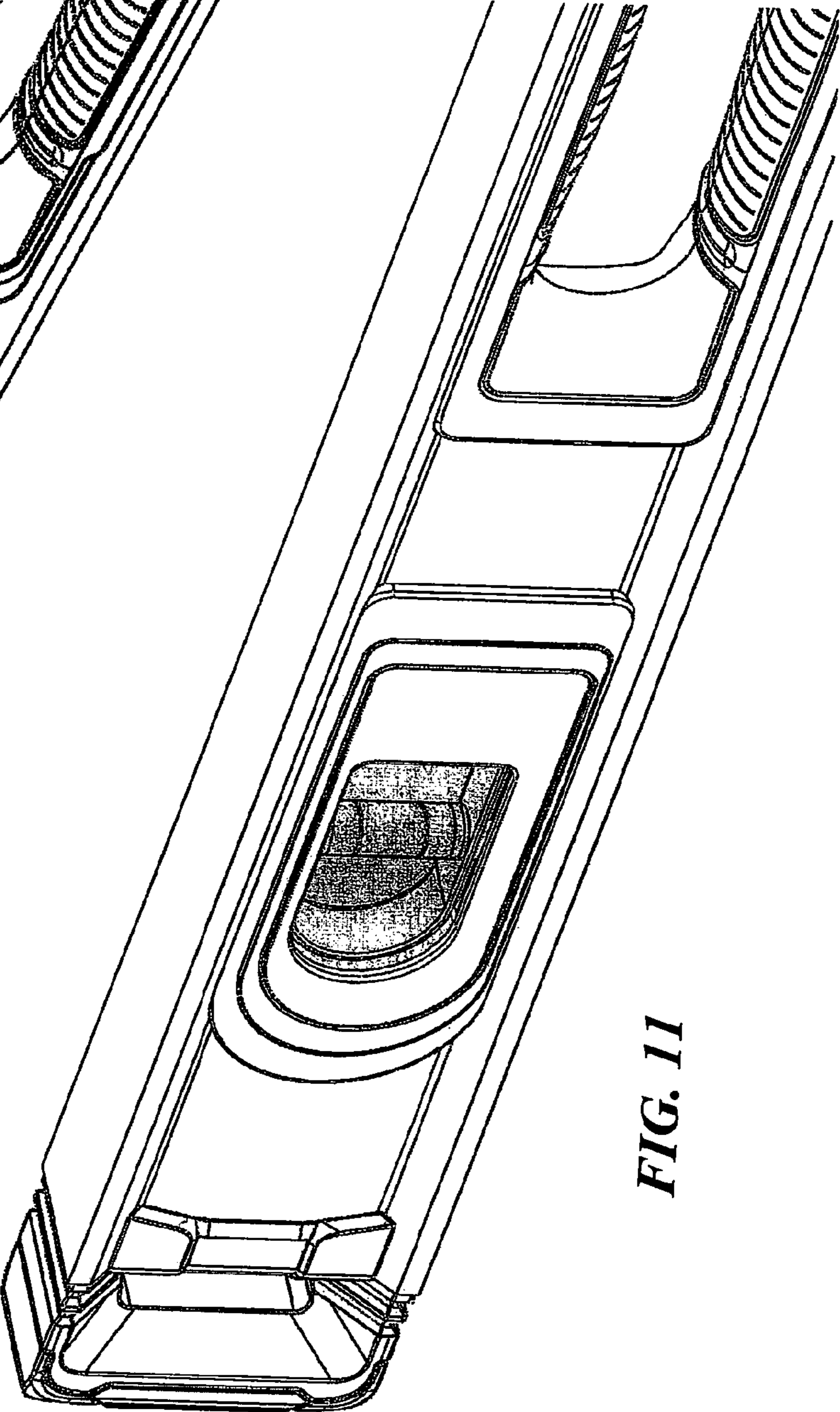
*FIG. 9*



*FIG. 10*



*FIG. 12*



*FIG. 11*