



US00D623542S

(12) **United States Design Patent**
Fontana

(10) **Patent No.:** **US D623,542 S**
(45) **Date of Patent:** **** Sep. 14, 2010**

(54) **WRIST WATCH**

(75) Inventor: **Italo Fontana**, Piaggione (IT)

(73) Assignee: **Hi-Tek Office S.R.L.**, Antraccoli (IT)

(**) Term: **14 Years**

(21) Appl. No.: **29/329,862**

(22) Filed: **Dec. 22, 2008**

(51) **LOC (9) Cl.** **10-02**

(52) **U.S. Cl.** **D10/39**

(58) **Field of Classification Search** D10/30-39,
D10/122-132; 368/276, 281, 282, 285, 80,
368/223, 228, 232, 308

See application file for complete search history.

(56) **References Cited**

U.S. PATENT DOCUMENTS

D195,421	S	*	6/1963	Huguenin	D10/39
3,740,944	A	*	6/1973	Chopard	368/281
3,901,023	A	*	8/1975	Uebelhardt	368/281
D317,265	S	*	6/1991	Giolla et al.	D10/39
5,172,351	A	*	12/1992	Corlet	368/319
5,282,179	A	*	1/1994	Vuilleumier	368/28
D380,690	S	*	7/1997	Riley	D10/30
D396,194	S	*	7/1998	Bruce	D10/31
D457,817	S	*	5/2002	Brandt	D10/39
D459,241	S	*	6/2002	Bodino	D10/32
6,570,823	B1	*	5/2003	Gilomen et al.	368/113
D480,009	S	*	9/2003	Houlihan	D10/30
D491,473	S	*	6/2004	Afshar	D10/32
D493,111	S	*	7/2004	Afshar	D10/32
7,027,360	B2	*	4/2006	Kitahara et al.	368/28

D538,182	S	*	3/2007	Lalo	D10/32
D569,276	S	*	5/2008	Scheufele	D10/39
D569,742	S	*	5/2008	Scheufele	D10/39
D574,734	S	*	8/2008	Loth	D10/38
D578,903	S	*	10/2008	Calvani	D10/39
D586,669	S	*	2/2009	Loth	D10/39
D590,274	S	*	4/2009	Monachon	D10/31
D590,727	S	*	4/2009	Wei	D10/38
D591,179	S	*	4/2009	Loth	D10/39
D612,749	S	*	3/2010	Loth	D10/32
D613,620	S	*	4/2010	Loth	D10/32

* cited by examiner

Primary Examiner—Lucy Lieberman

(74) *Attorney, Agent, or Firm*—Pearne & Gordon LLP

(57) **CLAIM**

The ornamental design for a wrist watch, as shown and described.

DESCRIPTION

FIG. 1 is a front view of a wrist watch, showing my new design;

FIG. 2 is a right side view thereof;

FIG. 3 is a left side view thereof;

FIG. 4 is a back view thereof;

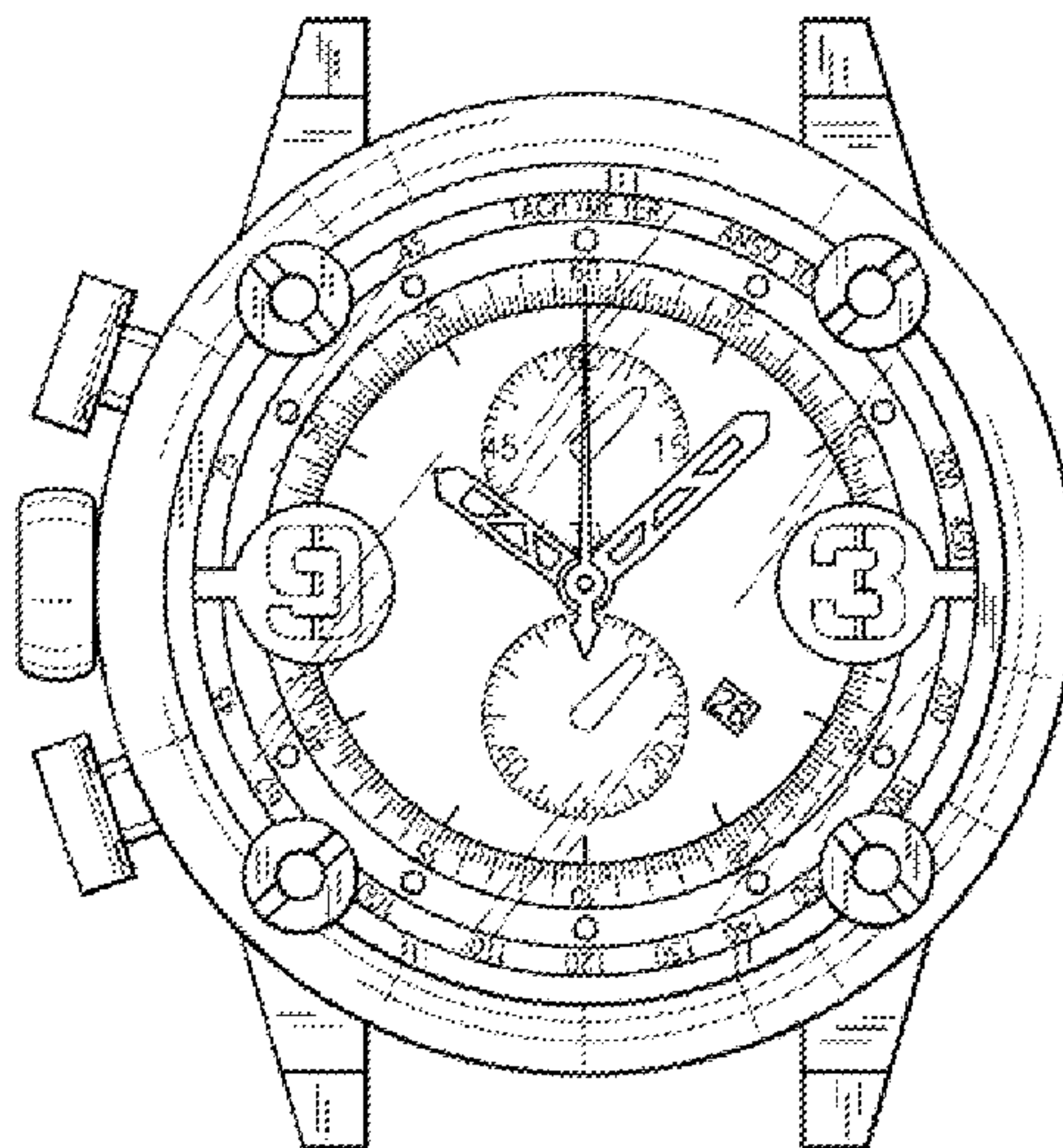
FIG. 5 is a bottom view thereof;

FIG. 6 is a top view thereof;

FIG. 7 is a front-bottom perspective view thereof; and,

FIG. 8 is a back-side perspective view thereof.

1 Claim, 3 Drawing Sheets



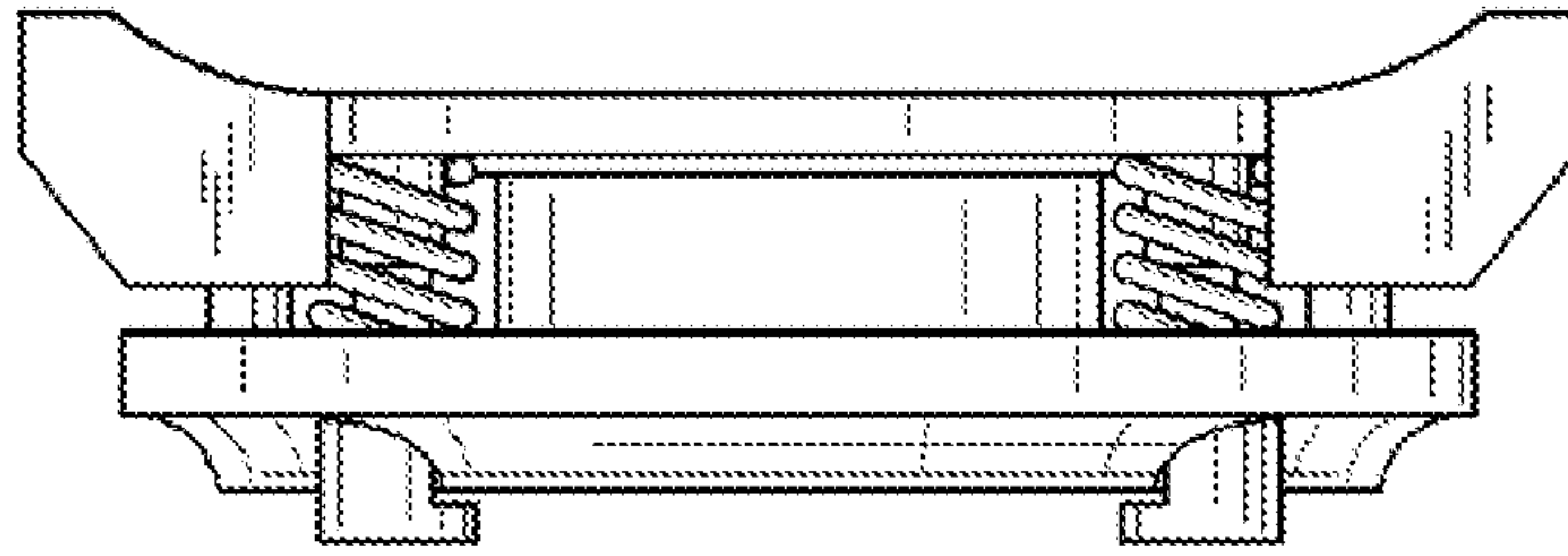


FIG. 2

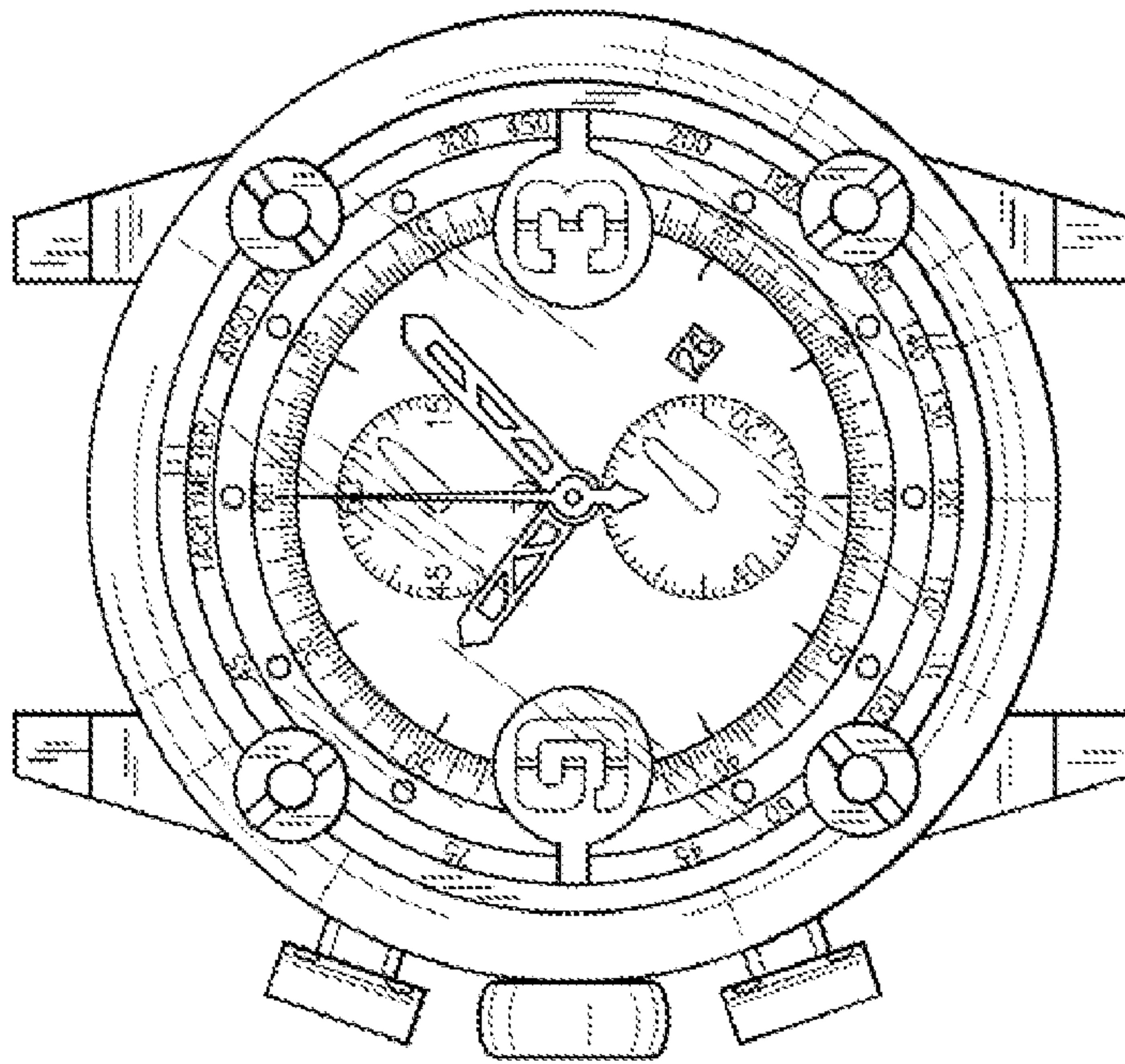


FIG. 1

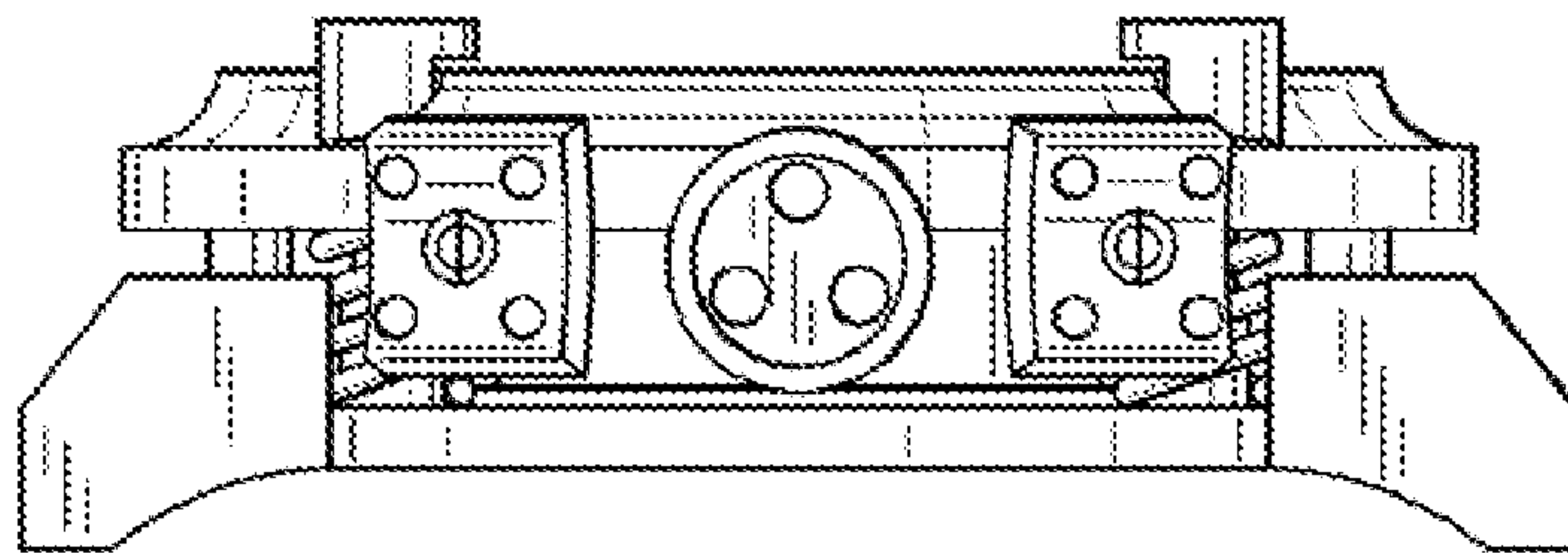


FIG. 3

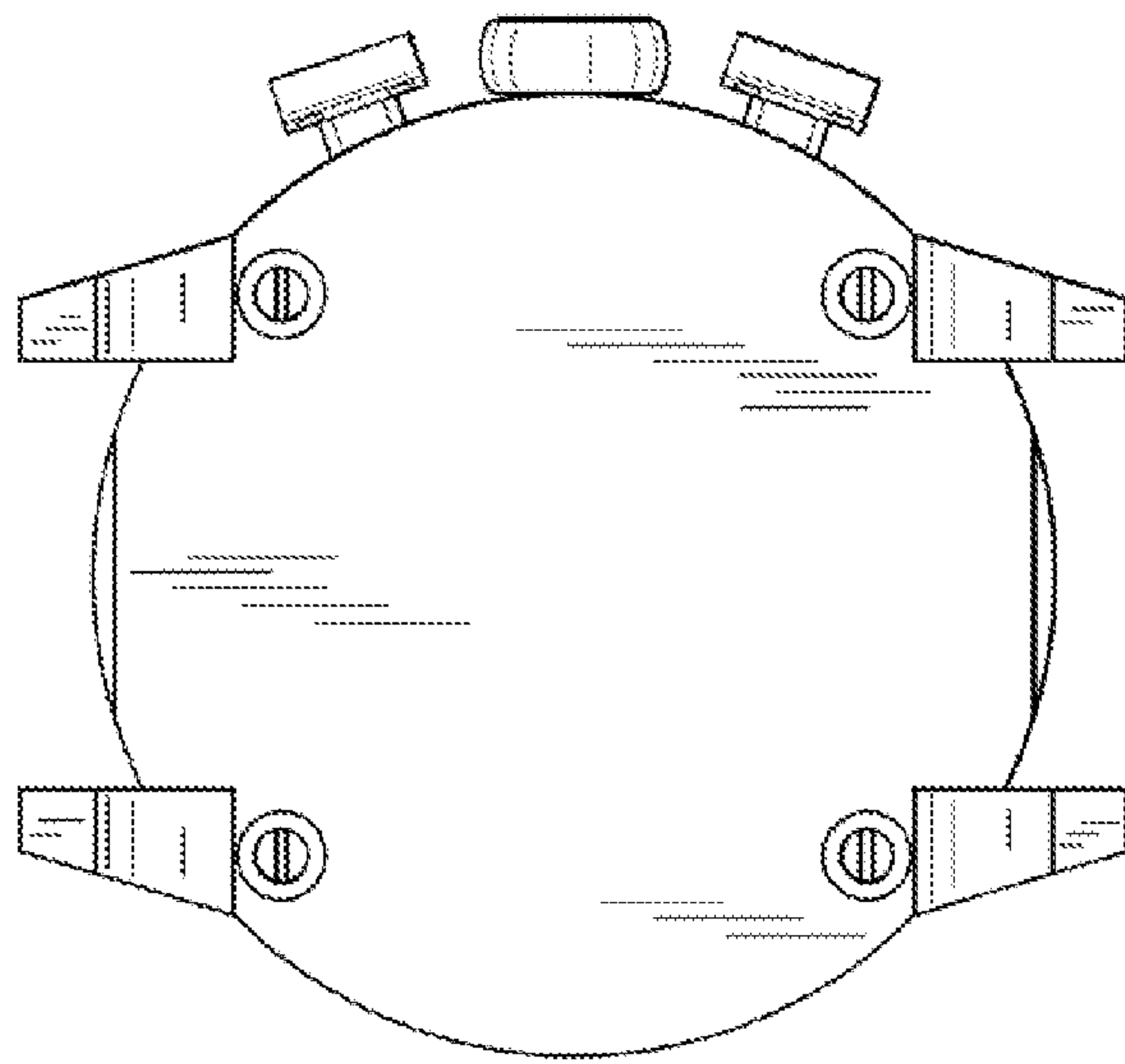


FIG. 4

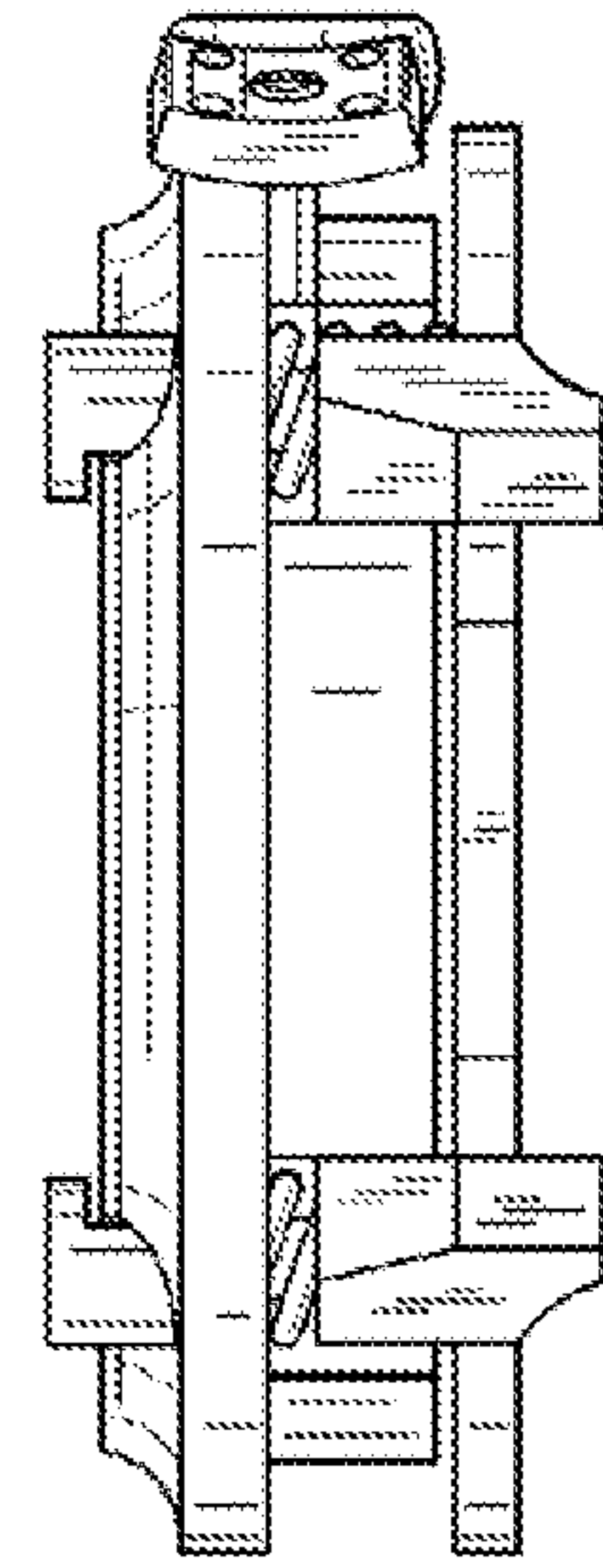


FIG. 6

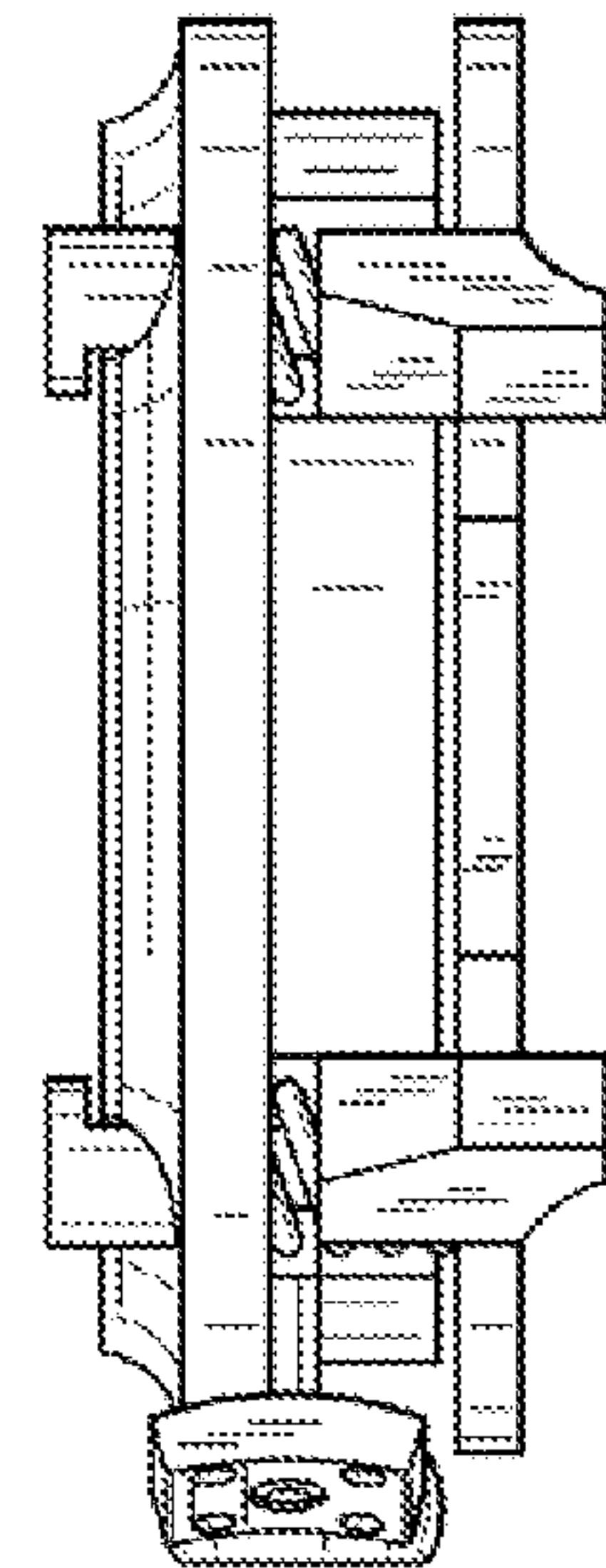


FIG. 5

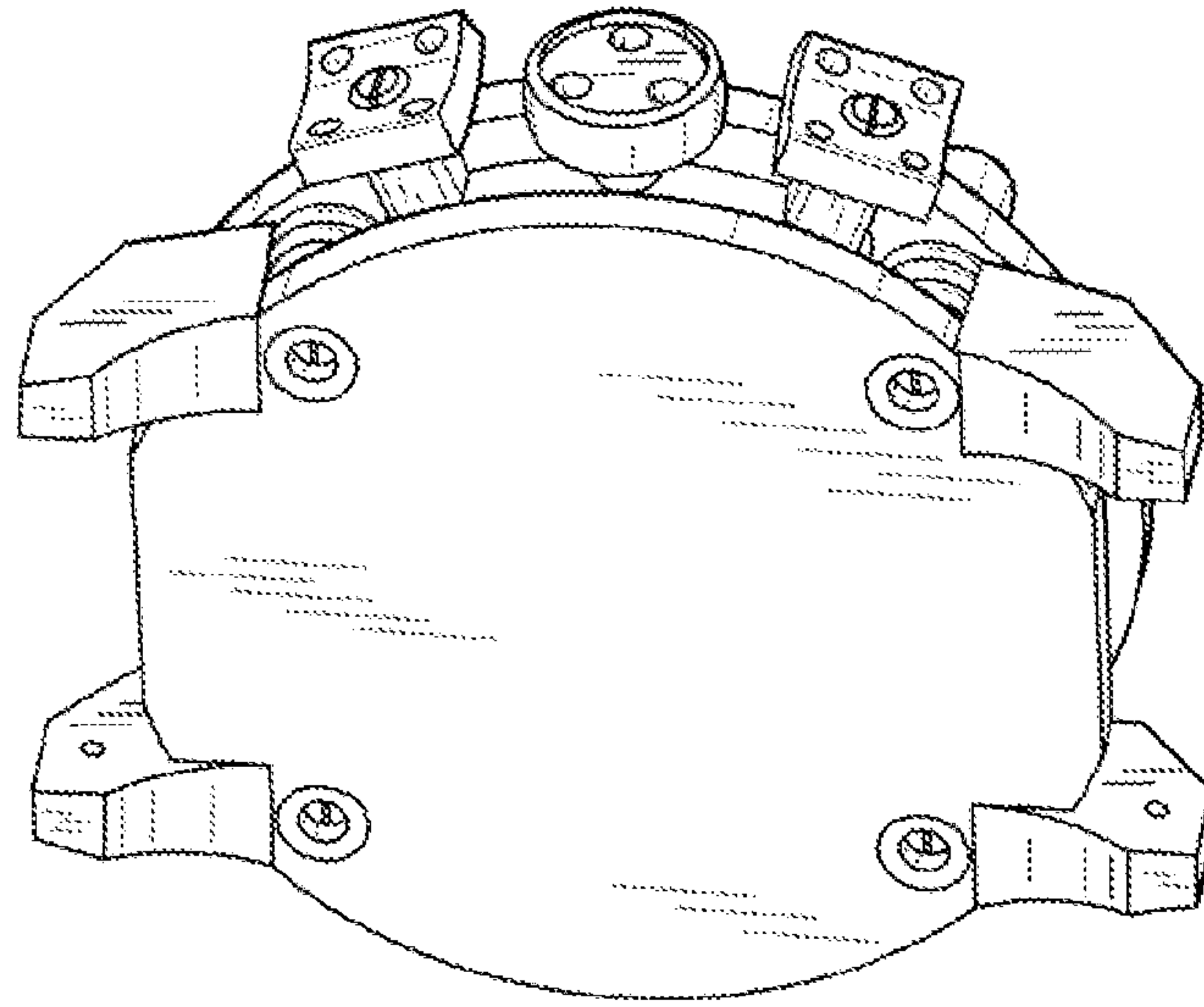


FIG. 8

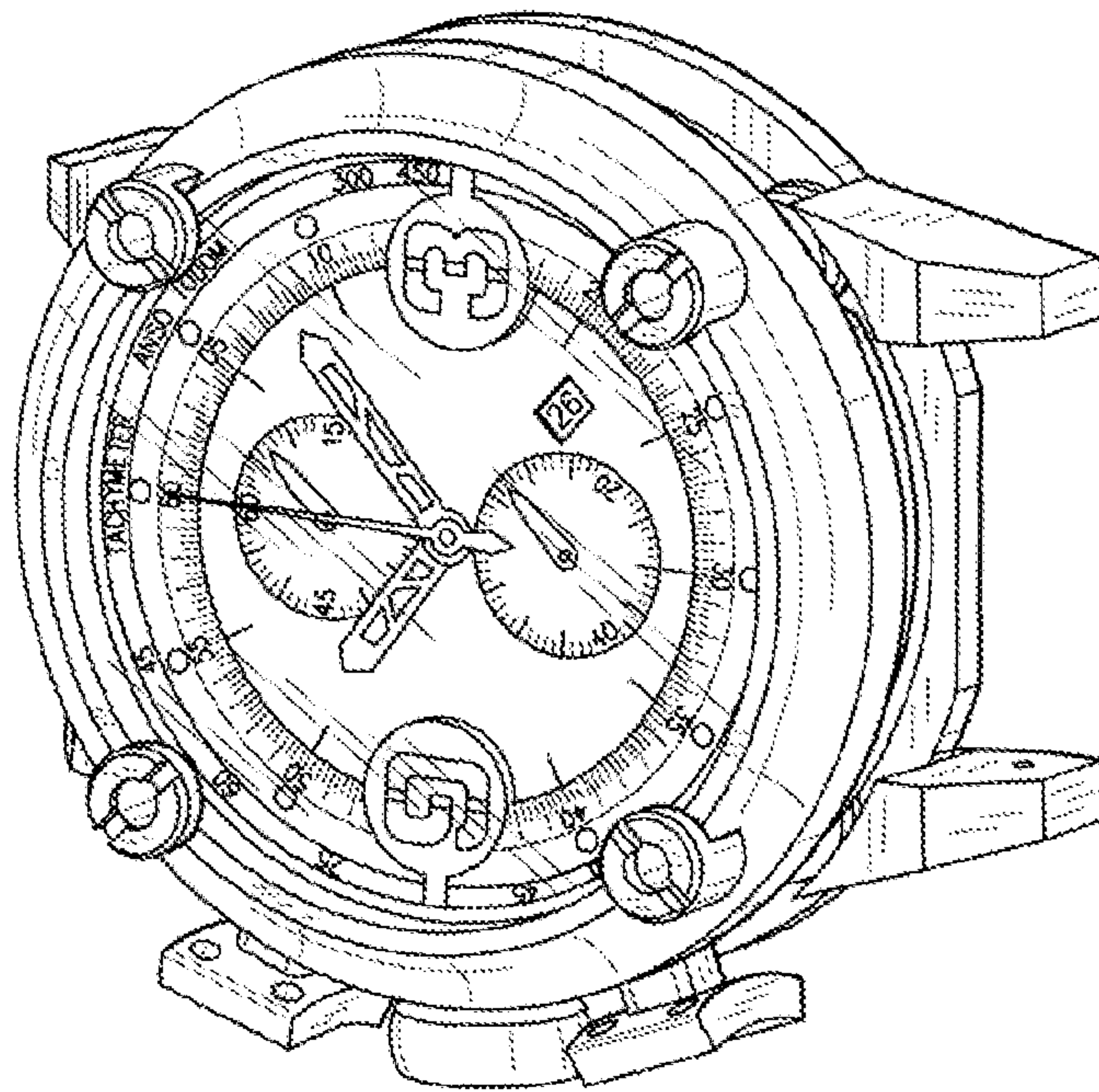


FIG. 7