



US00D623541S

(12) **United States Design Patent**
Loth

(10) **Patent No.:** **US D623,541 S**

(45) **Date of Patent:** **** *Sep. 14, 2010**

(54) **WRISTWATCH**

(75) Inventor: **Eric Loth**, La Chaux-de-Fonds (CH)

(73) Assignee: **The British Masters SA**, La Chaux-De-Fonds (CH)

(*) Notice: This patent is subject to a terminal disclaimer.

(**) Term: **14 Years**

(21) Appl. No.: **29/344,259**

(22) Filed: **Sep. 25, 2009**

(30) **Foreign Application Priority Data**

Mar. 25, 2009 (CH) 135880

(51) **LOC (9) Cl.** **10-02**

(52) **U.S. Cl.** **D10/32**

(58) **Field of Classification Search** D10/30-39,
D10/122-132; 368/276, 281, 282, 308, 319,
368/288-290, 80, 223, 228, 232; D11/3,
D11/12

See application file for complete search history.

(56) **References Cited**

U.S. PATENT DOCUMENTS

- D149,210 S * 4/1948 Philippe D11/3
- D212,640 S * 11/1968 Bollier D11/3
- 3,427,800 A * 2/1969 Blum 368/223
- 3,503,203 A * 3/1970 Gruner et al. 368/21
- D301,313 S * 5/1989 Petrilli D10/126

- D314,527 S * 2/1991 Kaneko D11/3
- D318,626 S * 7/1991 Wunderman D10/32
- D447,705 S * 9/2001 Scheufele D10/39
- D454,802 S * 3/2002 Hegi D10/39
- D460,002 S * 7/2002 Wunderman D10/32
- D520,384 S * 5/2006 Scheufele D10/39
- D536,996 S * 2/2007 Loth D10/32
- D574,736 S * 8/2008 Actis-Datta D10/38
- D586,669 S * 2/2009 Loth D10/39
- D591,179 S * 4/2009 Loth D10/39

* cited by examiner

Primary Examiner—Lucy Lieberman

(74) *Attorney, Agent, or Firm*—Sughrue Mion, PLLC

(57) **CLAIM**

The ornamental design for a wristwatch, as shown and described.

DESCRIPTION

FIG. 1 is a perspective view of the front and right side of a wristwatch showing my new design;

FIG. 2 is a front elevational view thereof;

FIG. 3 is a rear elevational view thereof;

FIG. 4 is a left side elevational view thereof;

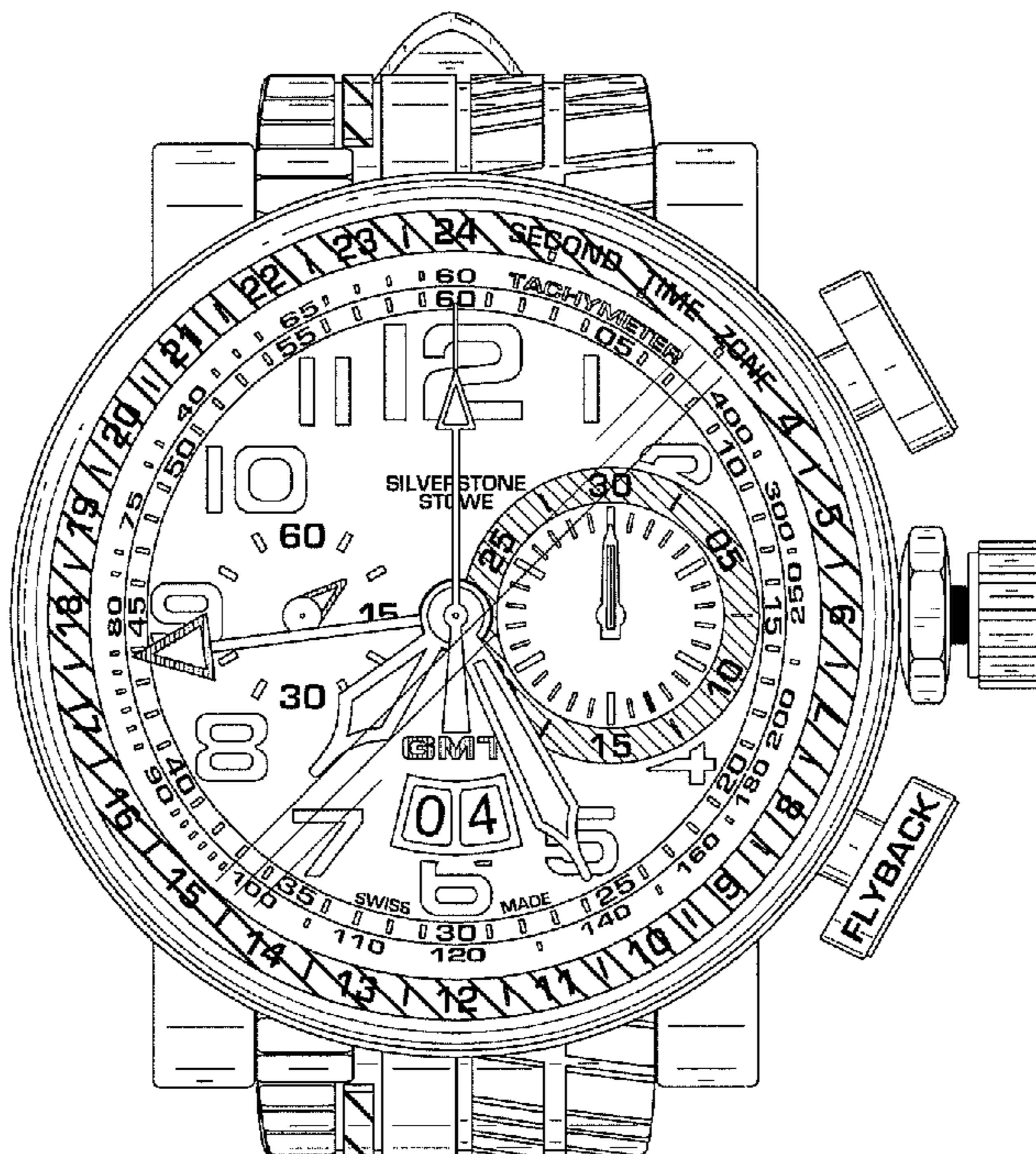
FIG. 5 is a right side elevational view thereof;

FIG. 6 is a top plan view thereof;

FIG. 7 is a bottom plan view thereof; and,

FIG. 8 is a perspective view of the rear and right side thereof.

1 Claim, 8 Drawing Sheets



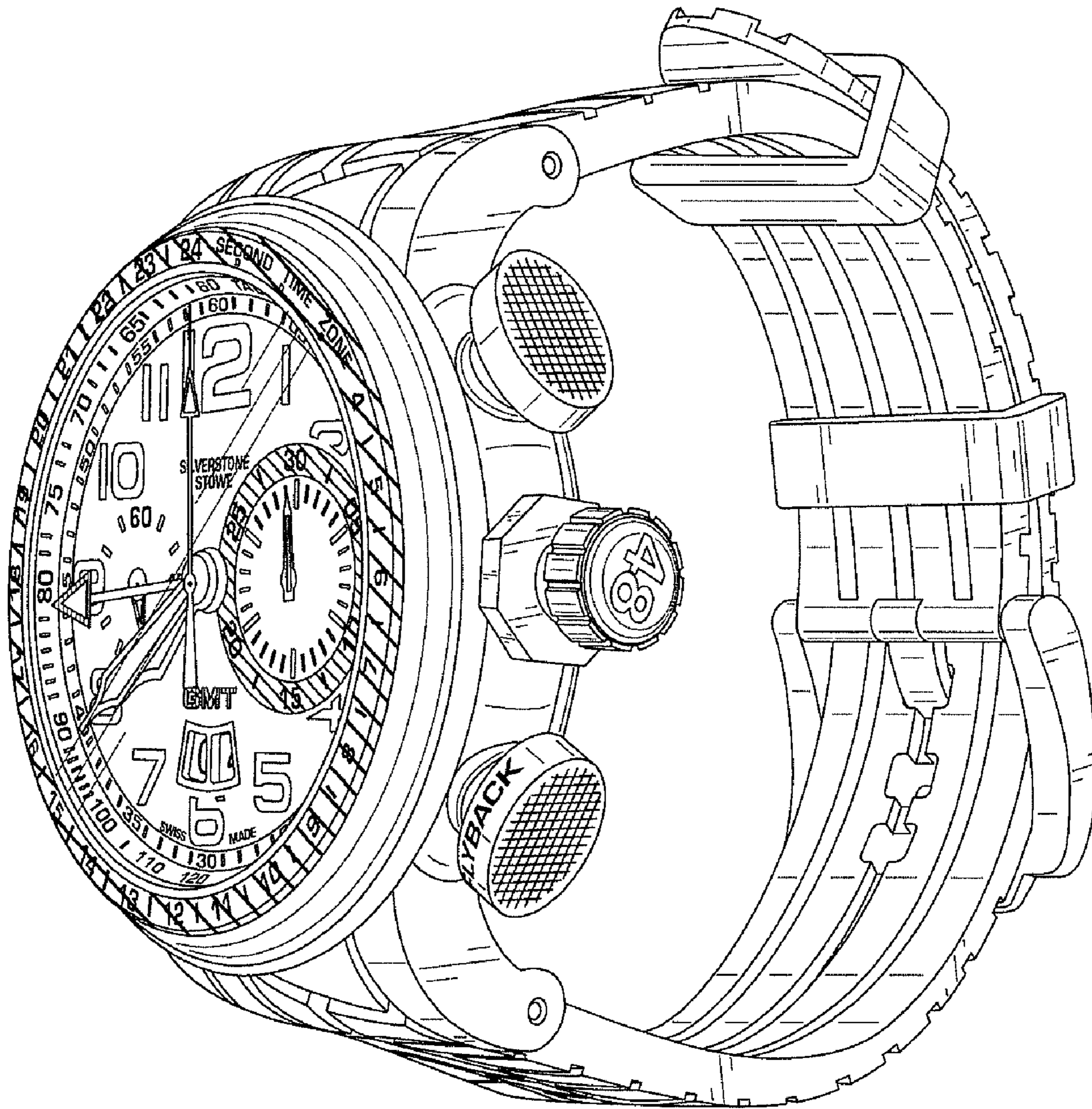


FIG. 1

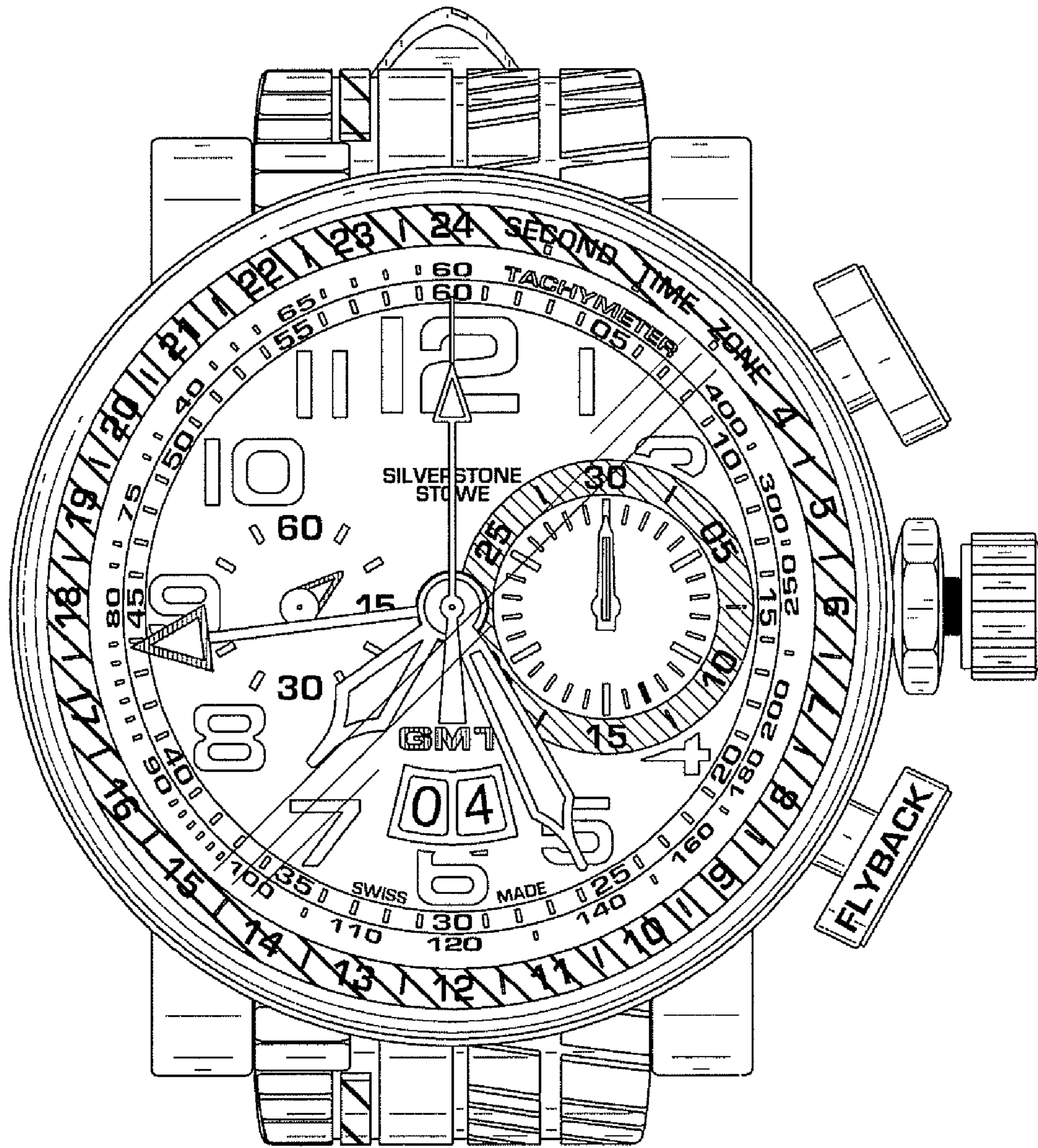


FIG. 2

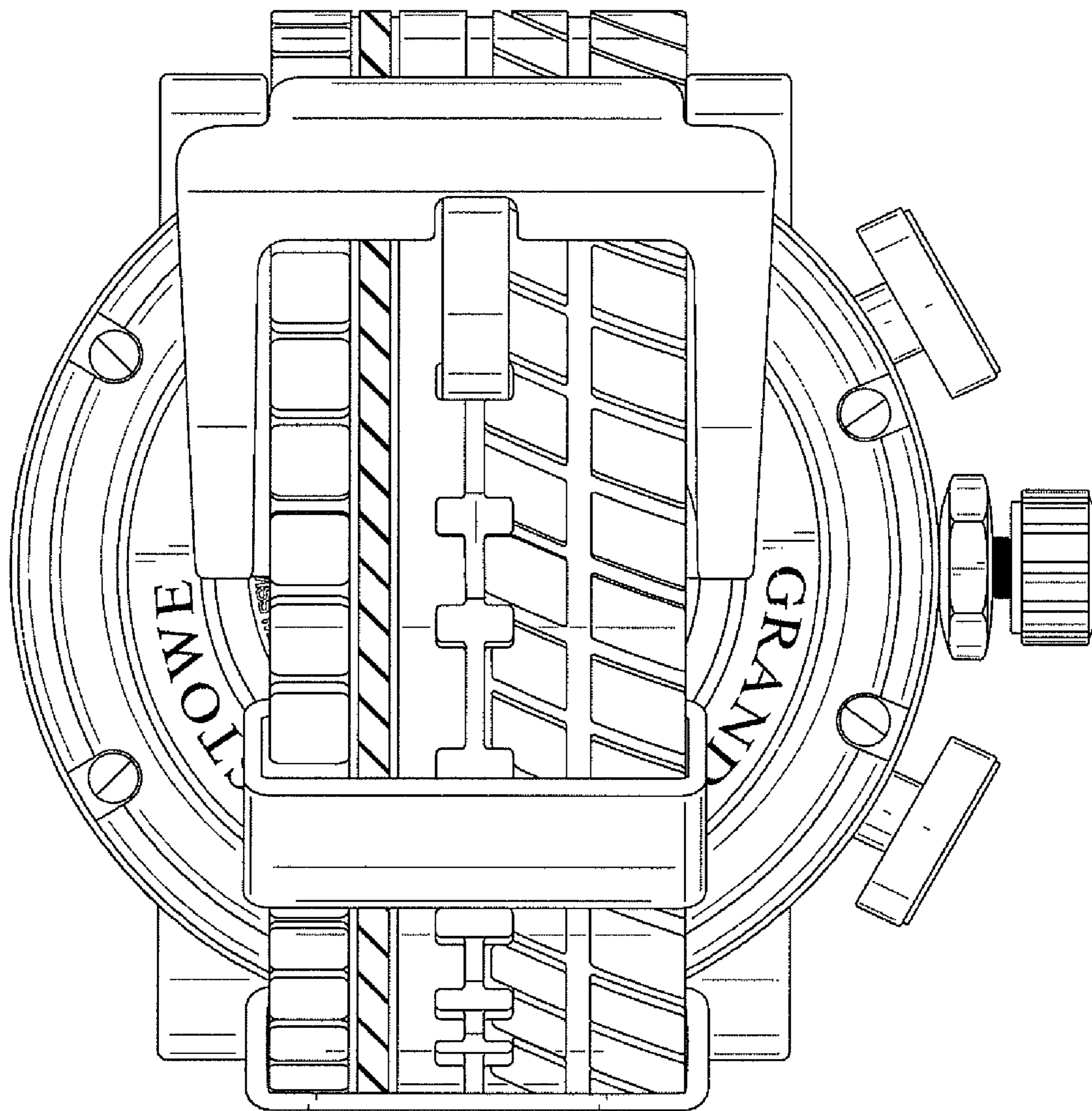


FIG. 3

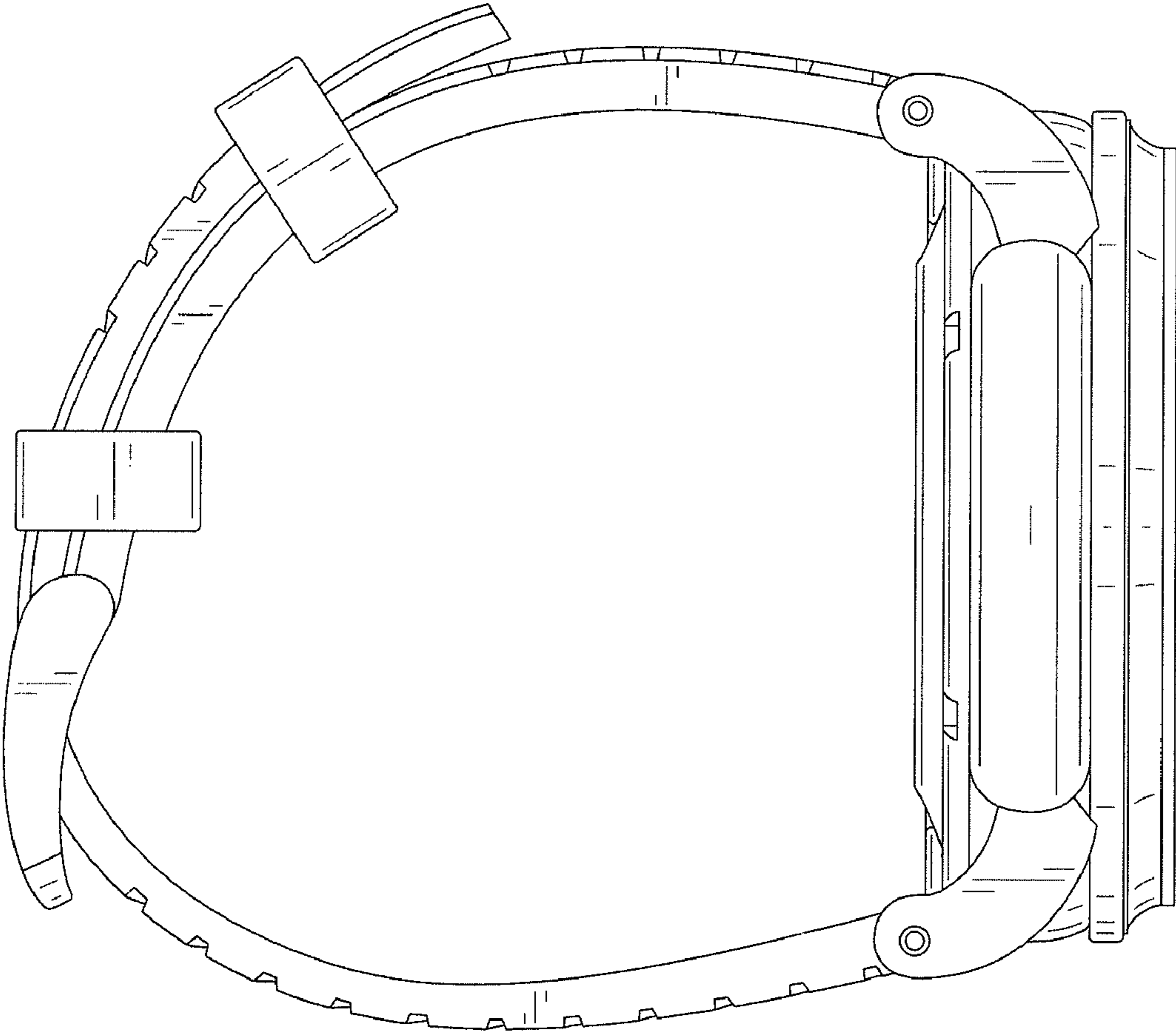


FIG. 4

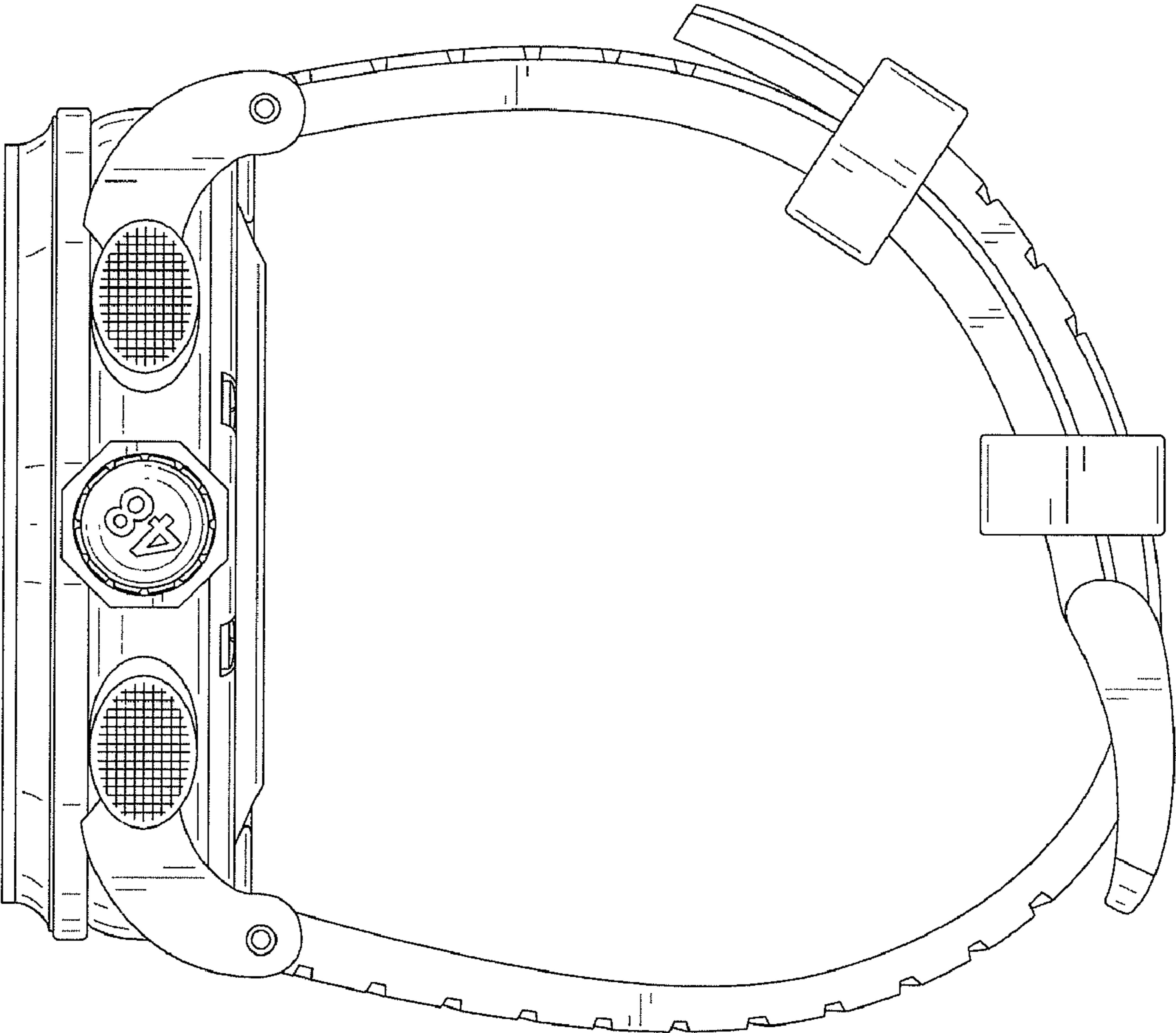


FIG. 5

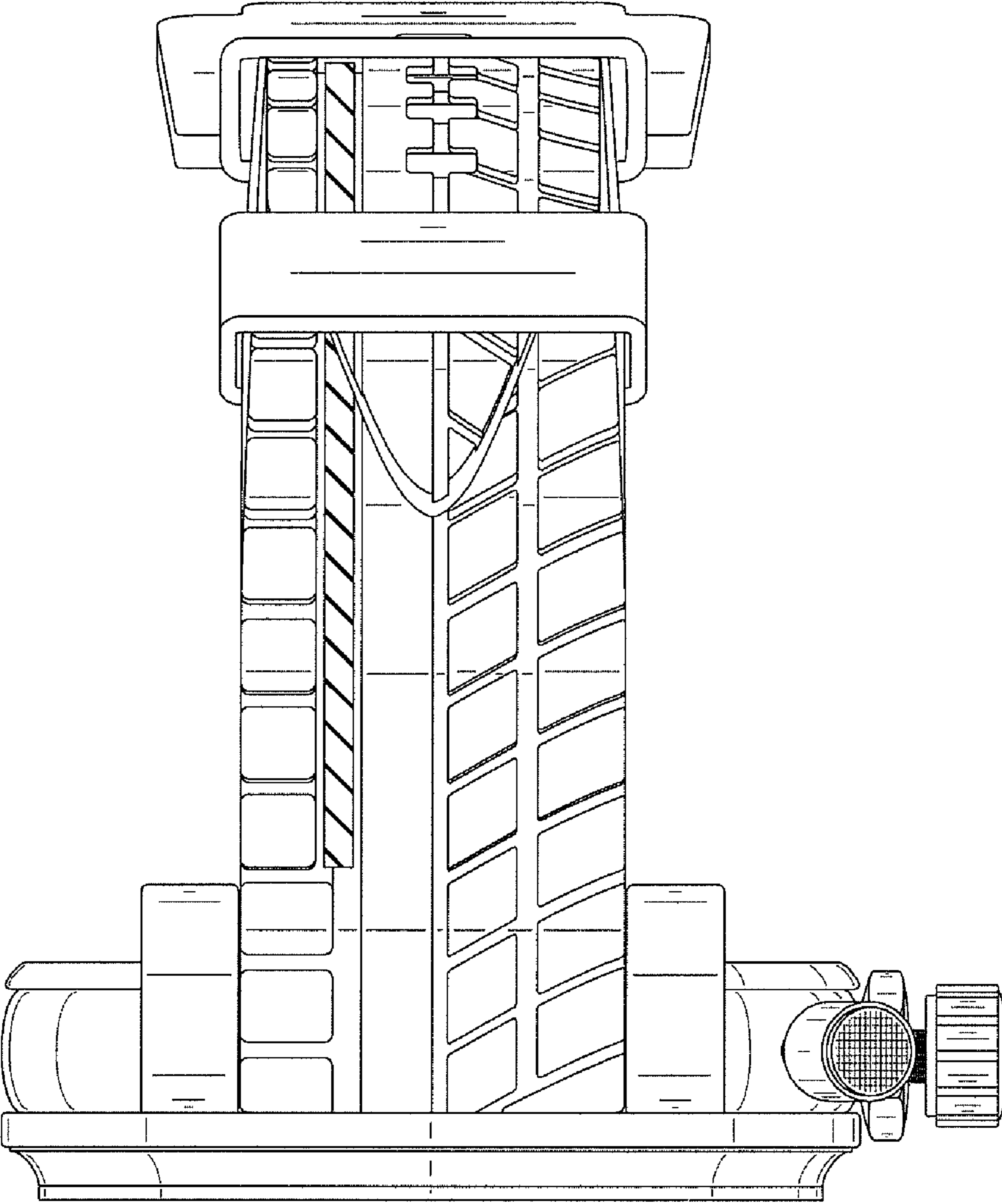


FIG. 6

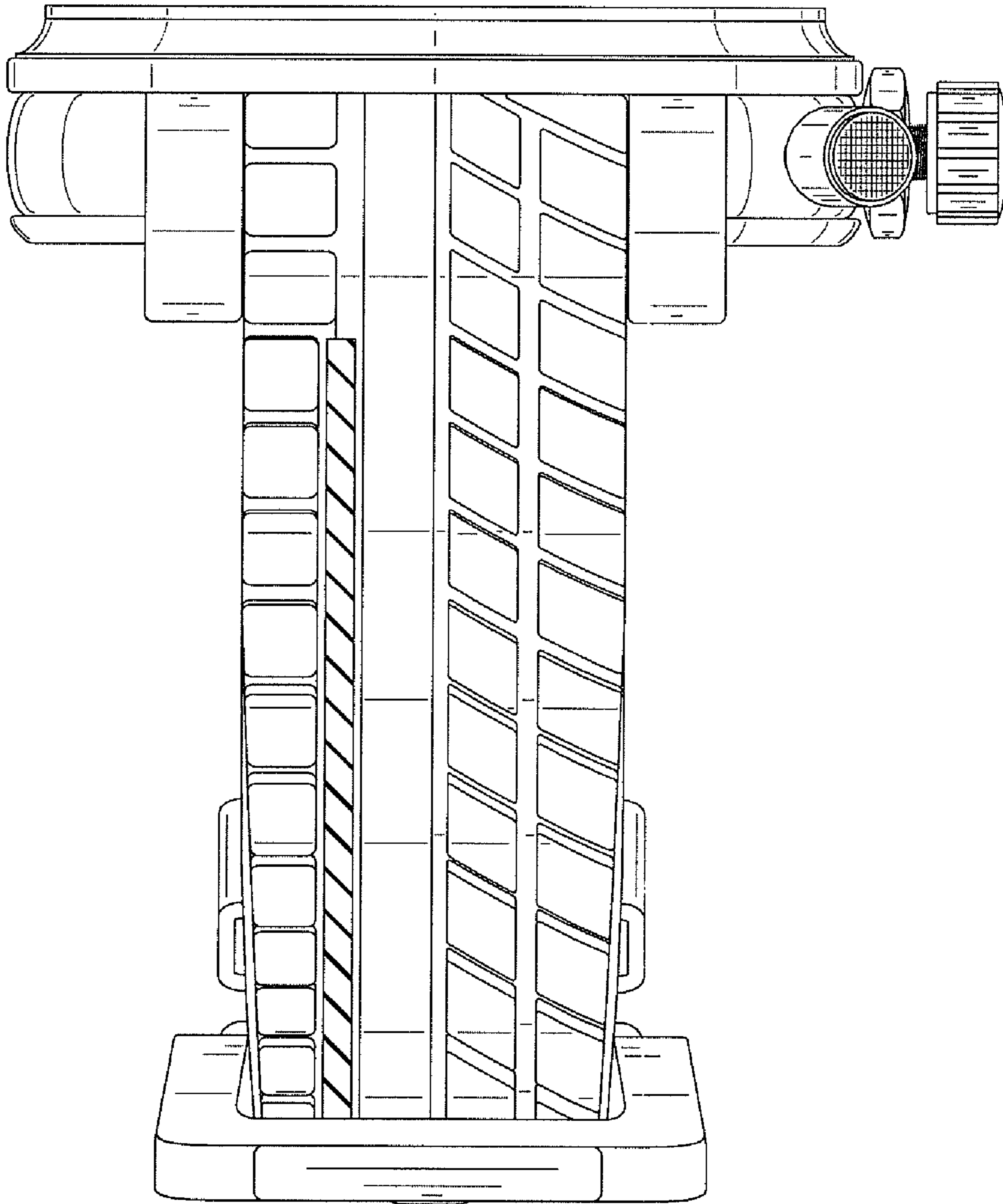


FIG. 7

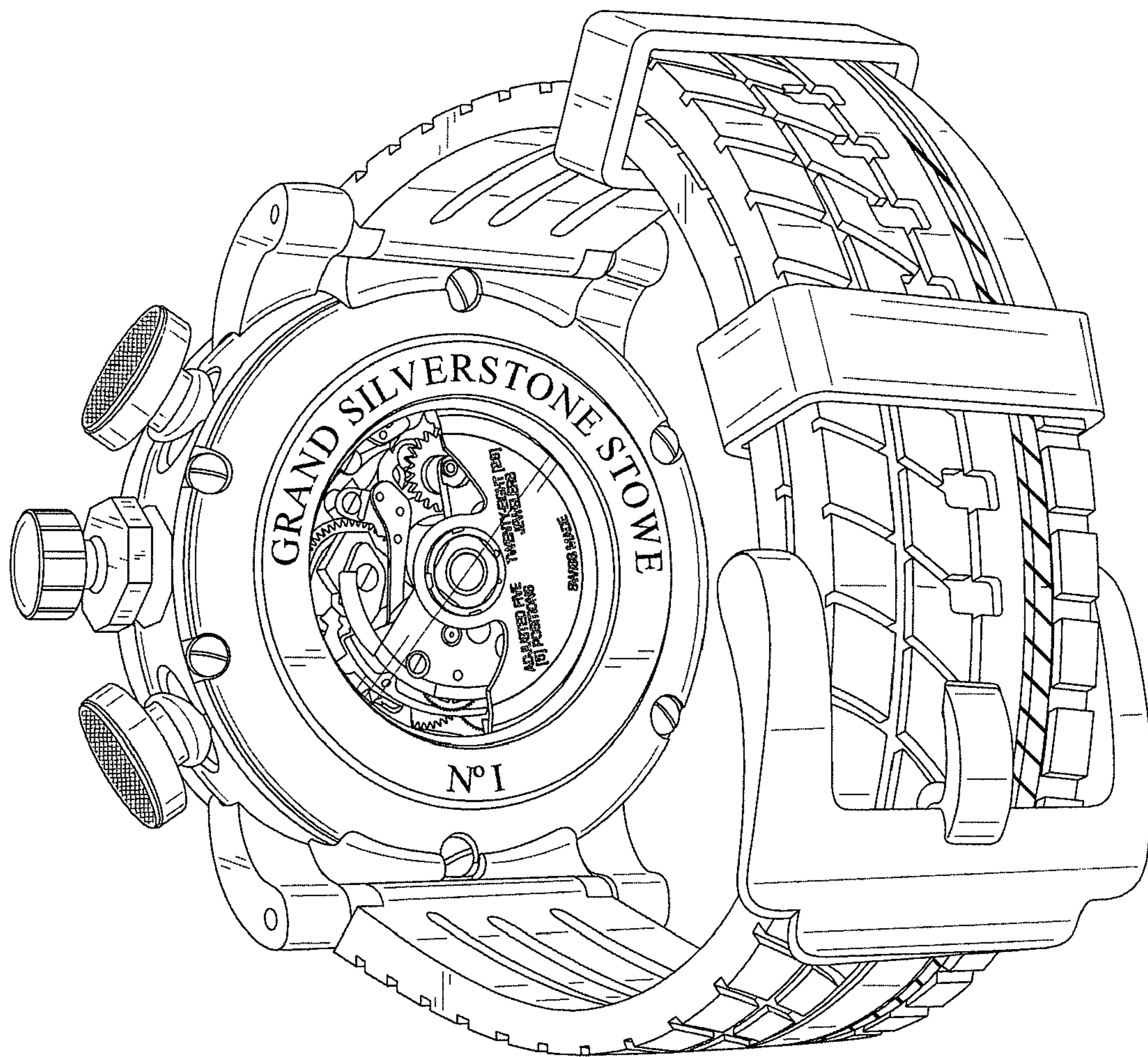


FIG. 8