



US00D623540S

(12) **United States Design Patent**
Vepuri

(10) **Patent No.:** **US D623,540 S**

(45) **Date of Patent:** **** Sep. 14, 2010**

(54) **DEODORANT DISPENSER**

(76) Inventor: **Vidya Vepuri**, 1707 Scott Dr., Newtown, PA (US) 18940

(**) Term: **14 Years**

(21) Appl. No.: **29/316,610**

(22) Filed: **Oct. 14, 2009**

(51) **LOC (9) Cl.** **09-01**

(52) **U.S. Cl.** **D9/729**

(58) **Field of Classification Search** D9/529,
D9/423, 426, 727, 728, 729; 222/101, 105,
222/173, 513, 630; D19/66; D28/4, 7, 9,
D28/44.1, 77; 221/135, 208, 282, 292; 206/229
See application file for complete search history.

(56) **References Cited**

U.S. PATENT DOCUMENTS

D153,859 S *	5/1949	Crane	D28/85
D262,265 S *	12/1981	Hadtko et al.	D9/729
D292,069 S *	9/1987	Keeler et al.	D9/729
D337,050 S *	7/1993	Hirst	D9/424
D354,434 S *	1/1995	Nilssen	D9/729
D381,469 S *	7/1997	Bertolini et al.	D28/76
D530,222 S *	10/2006	McConville et al.	D9/729
D534,435 S *	1/2007	Chadfield	D9/729

D545,904 S *	7/2007	Chen et al.	D19/66
D593,713 S *	6/2009	Fogelson	D28/85

* cited by examiner

Primary Examiner—Daniel D Bui

Assistant Examiner—Thomas J Johannes

(74) *Attorney, Agent, or Firm*—Armand M. Vozzo, Jr.

(57) **CLAIM**

The ornamental design for a deodorant dispenser, as shown and described.

DESCRIPTION

FIG. 1 is a front perspective view from above and one side of the deodorant dispenser showing my new design;

FIG. 2 is an exploded front perspective view from above and one side of my new design;

FIG. 3 is a side elevational view of my new design from the one side;

FIG. 4 is a side elevational view thereof viewed from one end;

FIG. 5 is a side elevational view of my new design from the side opposite to that shown in FIG. 3;

FIG. 6 is a side elevational view from the end opposite to that shown in FIG. 5;

FIG. 7 is a top plan view of my new design; and,

FIG. 8 is a bottom plan view thereof.

1 Claim, 4 Drawing Sheets

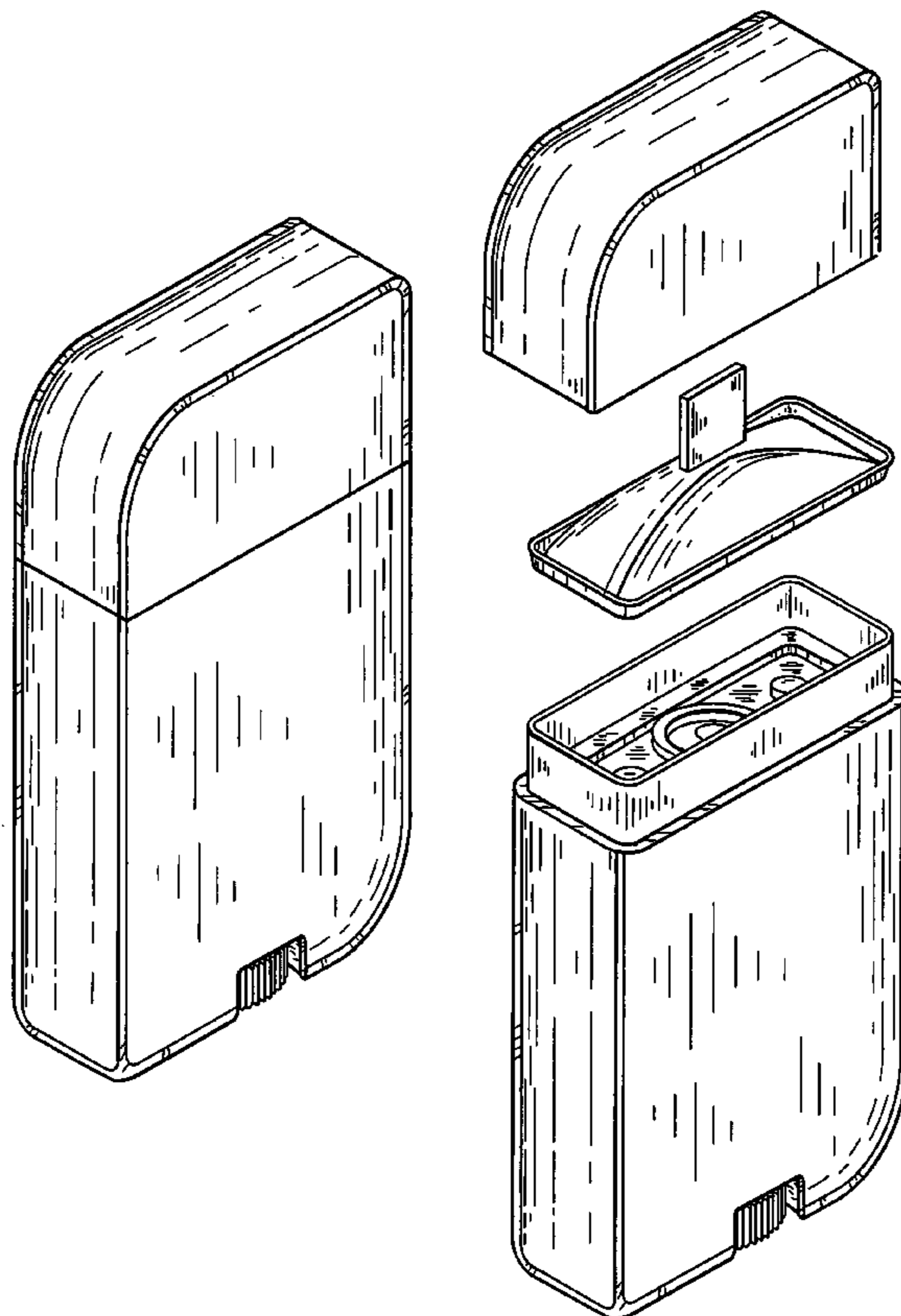


FIG. 1

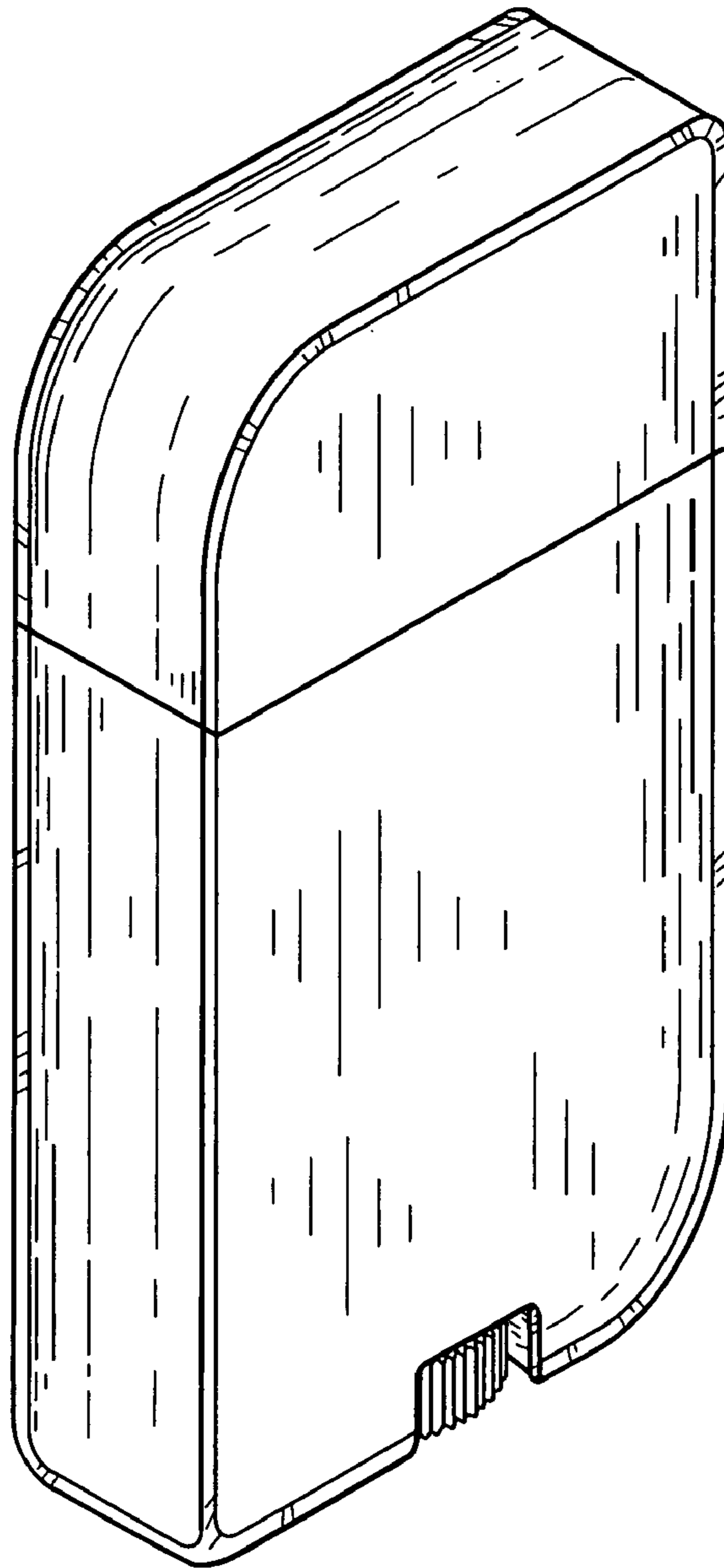


FIG. 2

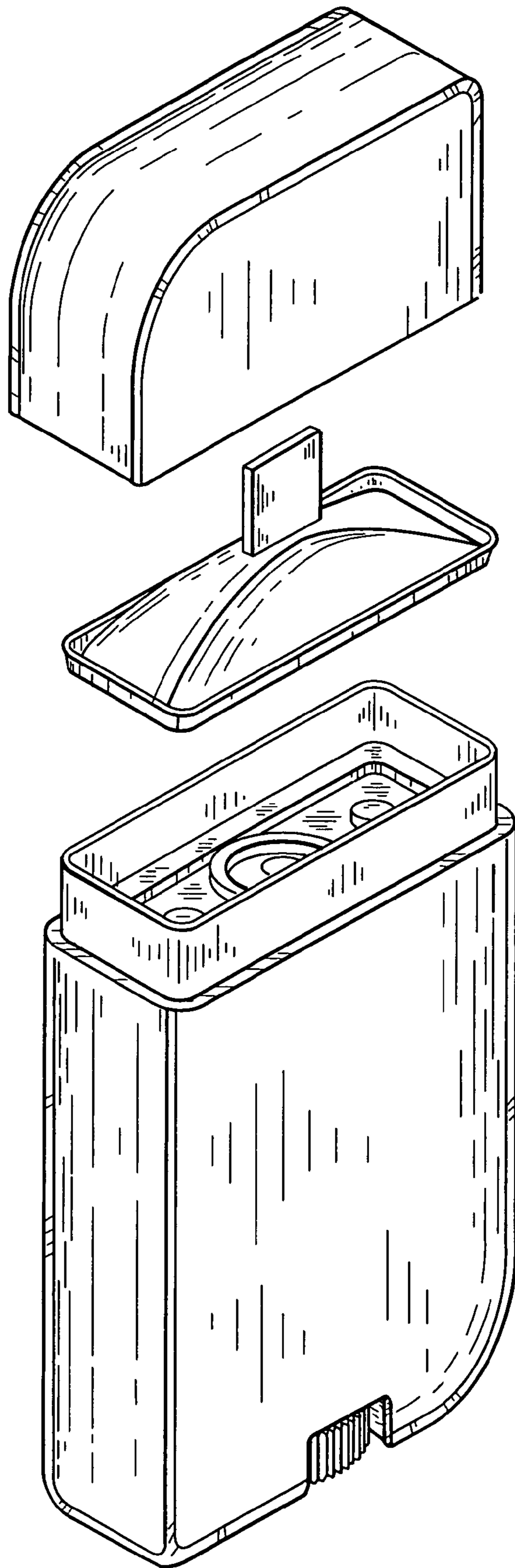


FIG. 3

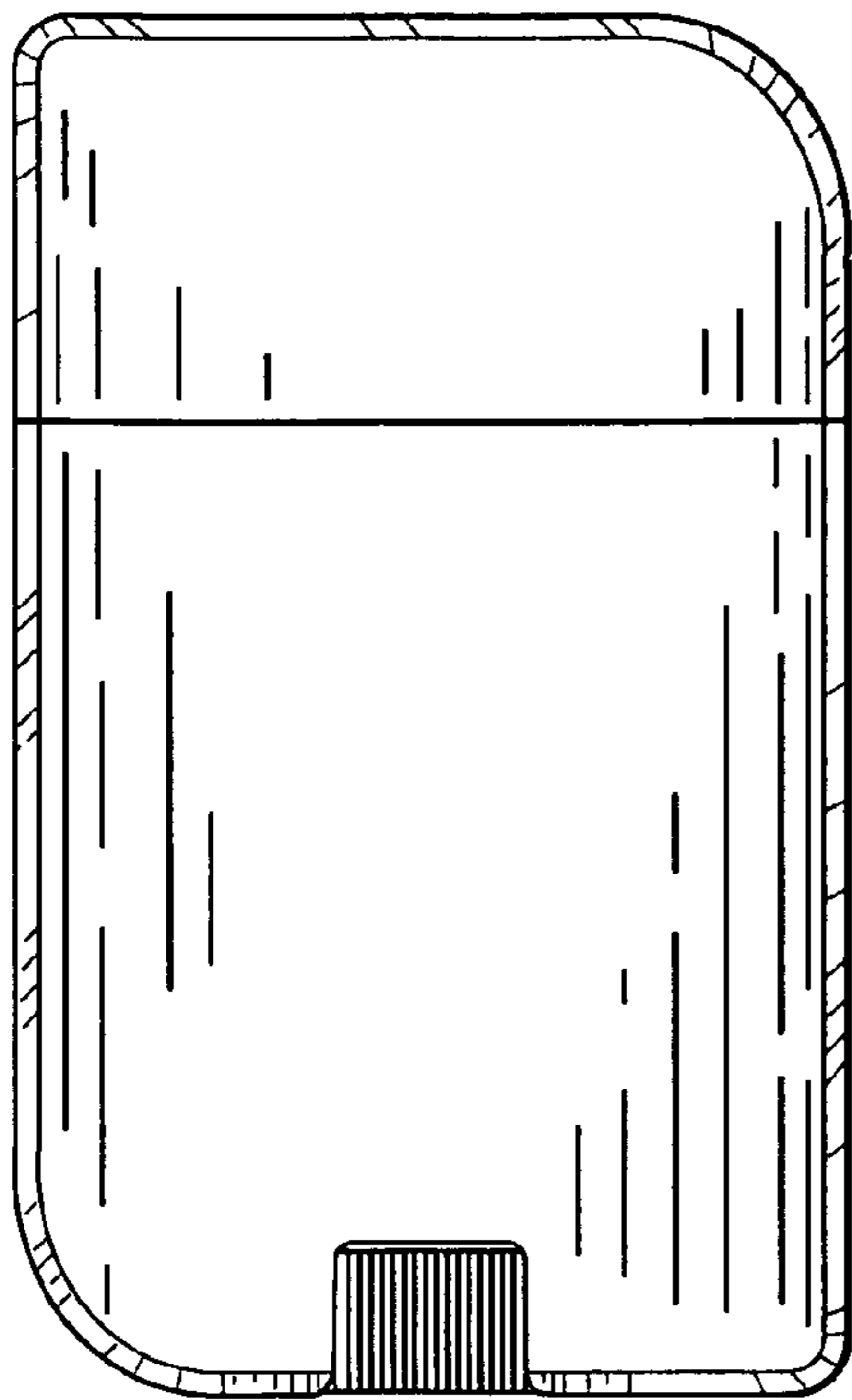


FIG. 4

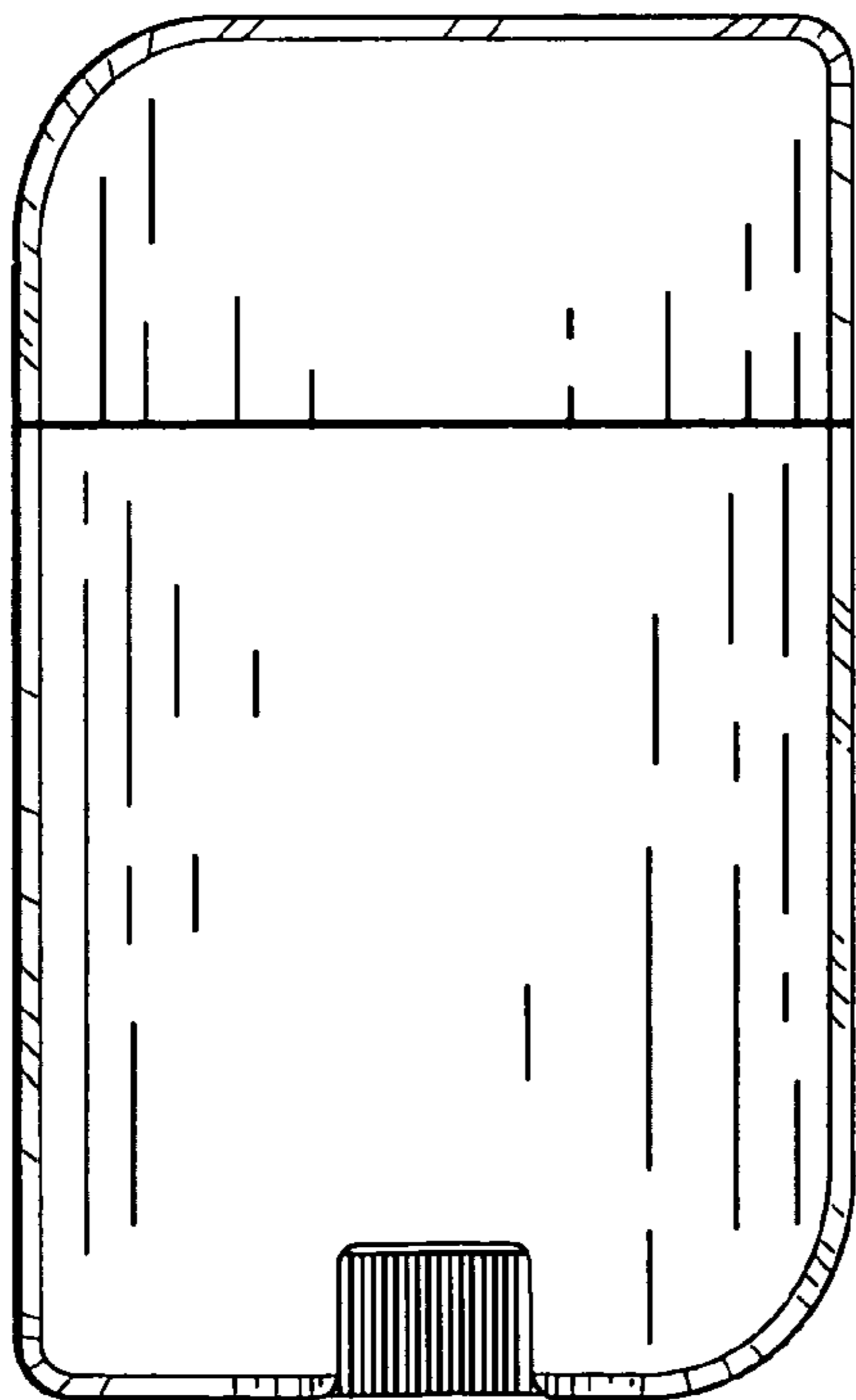
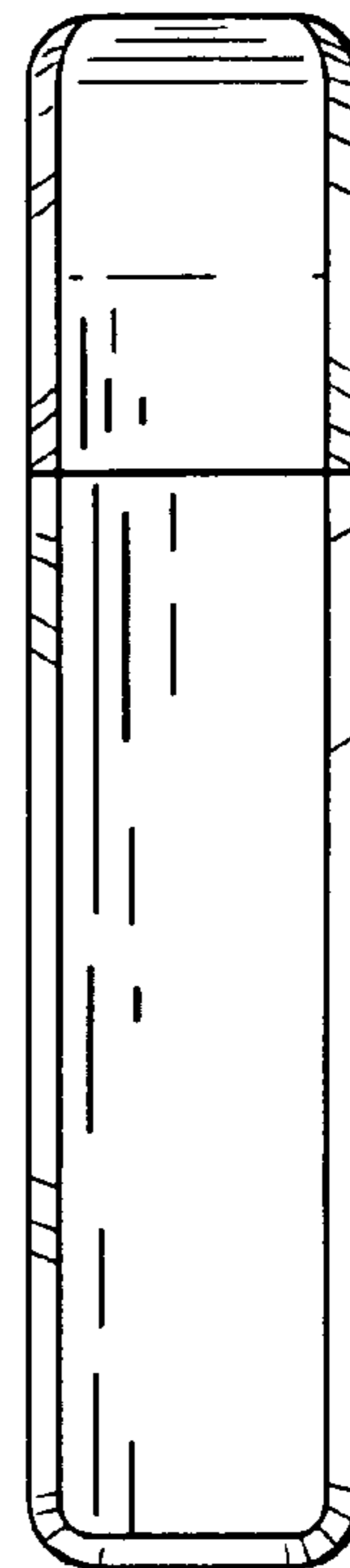


FIG. 5

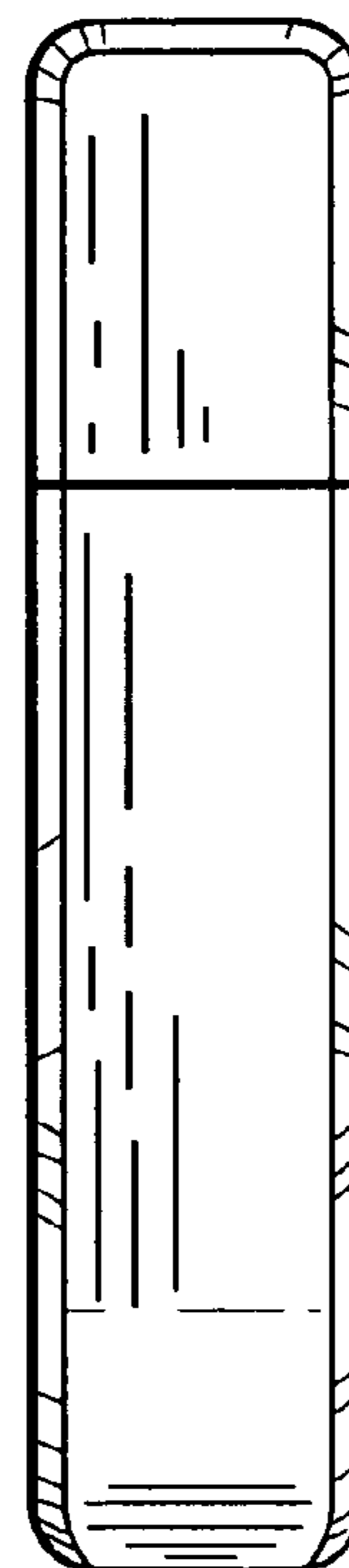


FIG. 6

FIG. 7

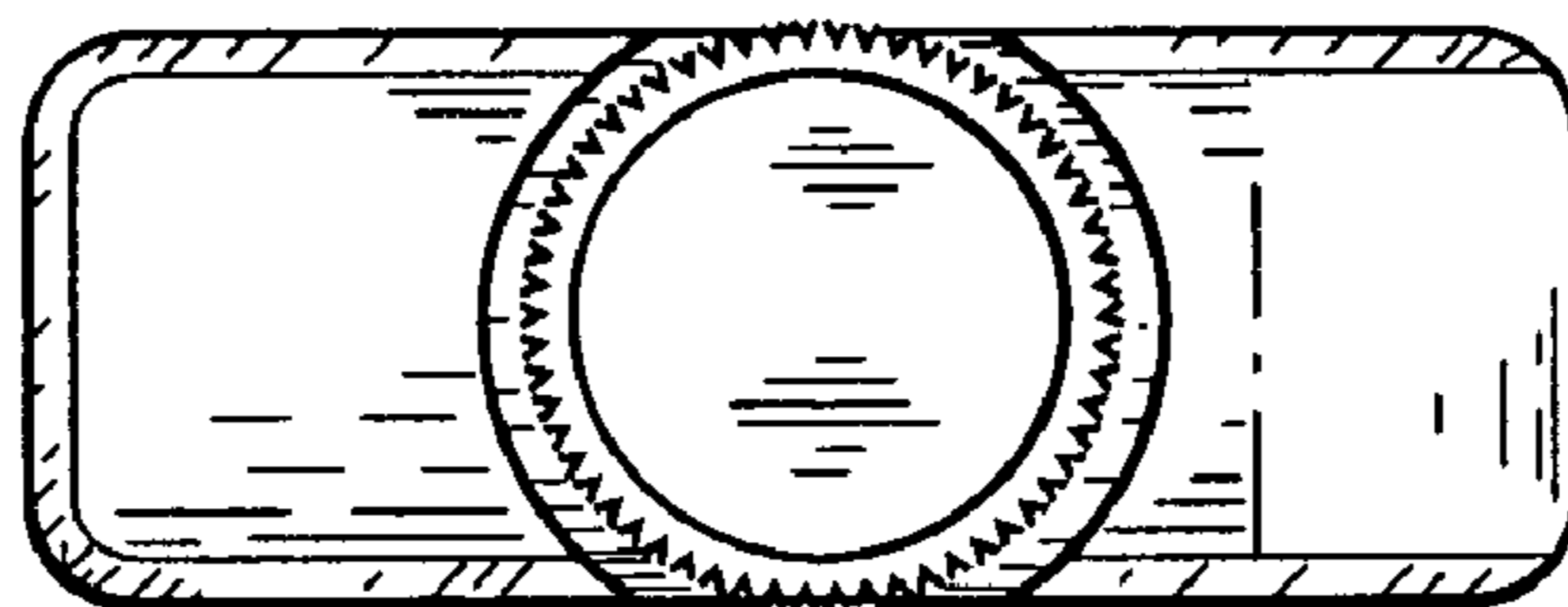
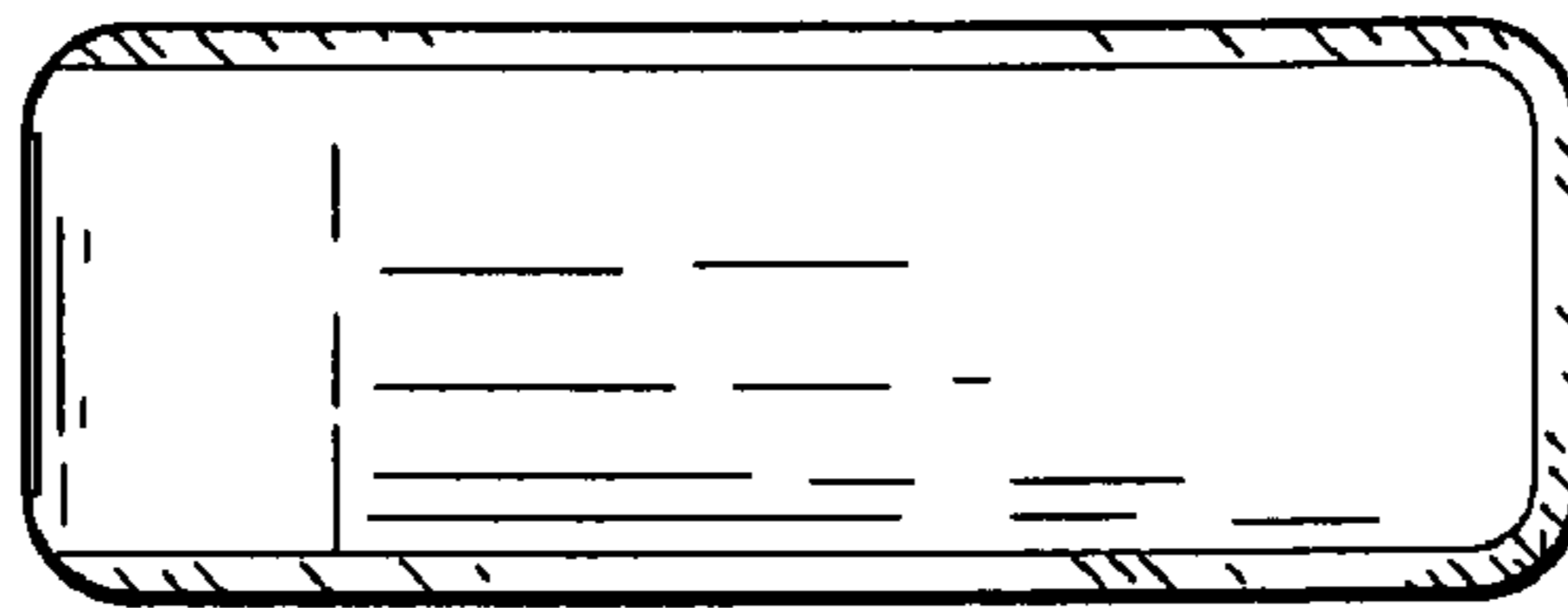


FIG. 8