

US00D623539S

(12) **United States Design Patent**
deVirag et al.

(10) **Patent No.:** **US D623,539 S**

(45) **Date of Patent:** **** Sep. 14, 2010**

(54) **SPREADER**

(75) Inventors: **Francis Kiss deVirag**, Kirtland Hills, OH (US); **Ileen Rosner**, Novelty, OH (US); **Jonathan Rosner**, Novelty, OH (US)

(73) Assignee: **Innovative Consumer Solutions LLC**, Novelty, OH (US)

(**) Term: **14 Years**

(21) Appl. No.: **29/322,146**

(22) Filed: **Jul. 30, 2008**

Related U.S. Application Data

(63) Continuation-in-part of application No. 11/847,257, filed on Aug. 29, 2007.

(51) **LOC (9) Cl.** **09-01**

(52) **U.S. Cl.** **D9/724**

(58) **Field of Classification Search** D9/434, D9/454, 715-731; 221/64, 65, 135, 208, 221/278, 282; 222/105, 394, 402.1, 402.15; D4/118; D19/35, 41, 43, 45, 51, 57, 65, D19/66, 70; D23/213; D28/88, 89
See application file for complete search history.

(56) **References Cited**

U.S. PATENT DOCUMENTS

D402,199 S * 12/1998 Saunders D9/724
6,022,163 A 2/2000 Asfur
D456,609 S * 5/2002 Blom et al. D4/116
6,957,925 B1 10/2005 Jacobs et al.

D555,012 S * 11/2007 Yamauchi et al. D9/724
D580,785 S * 11/2008 Py et al. D9/724
D586,048 S * 2/2009 Hartstock et al. D28/76
2005/0025560 A1 2/2005 Liberatore
2008/0131191 A1* 6/2008 deVirag et al. 401/171
2008/0247805 A1* 10/2008 deVirag et al. 401/139
2009/0028629 A1* 1/2009 deVirag et al. 401/266
2009/0032487 A1* 2/2009 Rekstad 215/260
2009/0224008 A1* 9/2009 Rushe et al. 222/562

* cited by examiner

Primary Examiner—Daniel D Bui

Assistant Examiner—Thomas J Johannes

(74) *Attorney, Agent, or Firm*—Turocy & Watson, LLP

(57) **CLAIM**

The ornamental design for a spreader, as shown and described.

DESCRIPTION

FIG. 1 is a front perspective view of the spreader showing our new design;

FIG. 2 is a front view of the spreader;

FIG. 3 is a rear view of the spreader;

FIG. 4 is a right side view of the spreader;

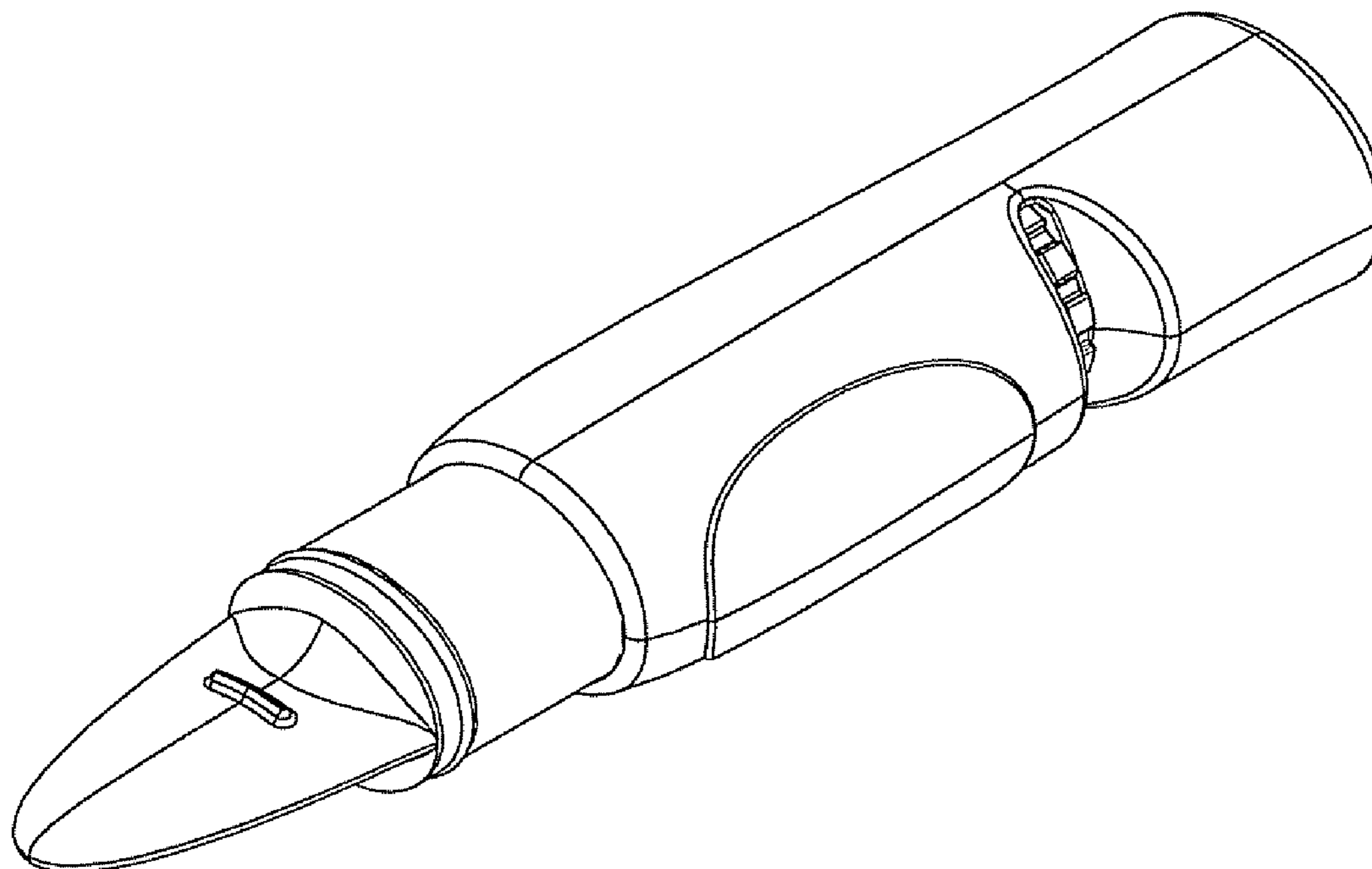
FIG. 5 is a top plan view of the spreader;

FIG. 6 is a left side view of the spreader; and,

FIG. 7 is a bottom plan view of the spreader.

The broken line portion of FIG. 4 is included to show unclaimed subject matter only and forms no part of the claimed design.

1 Claim, 7 Drawing Sheets



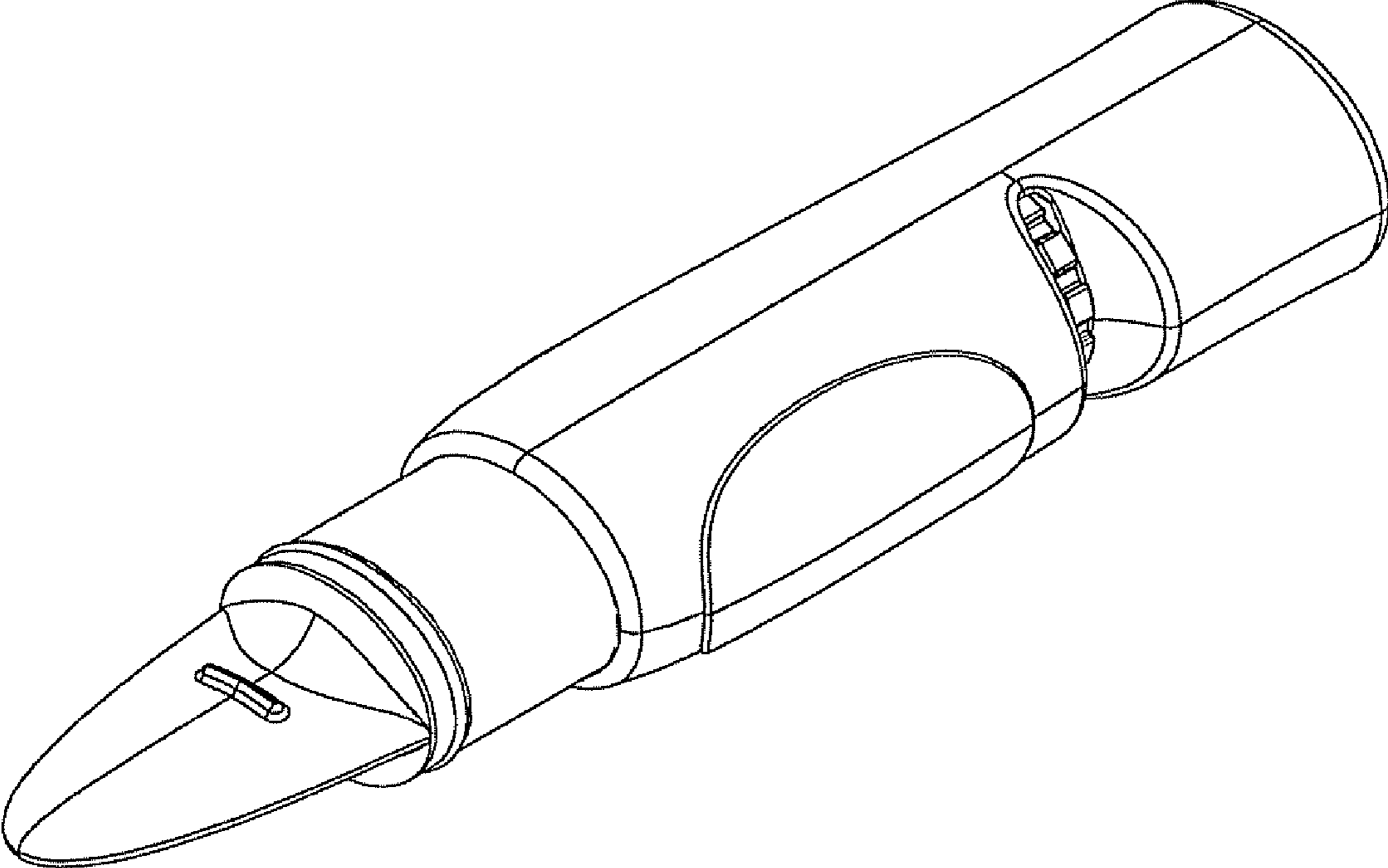


Fig. 1

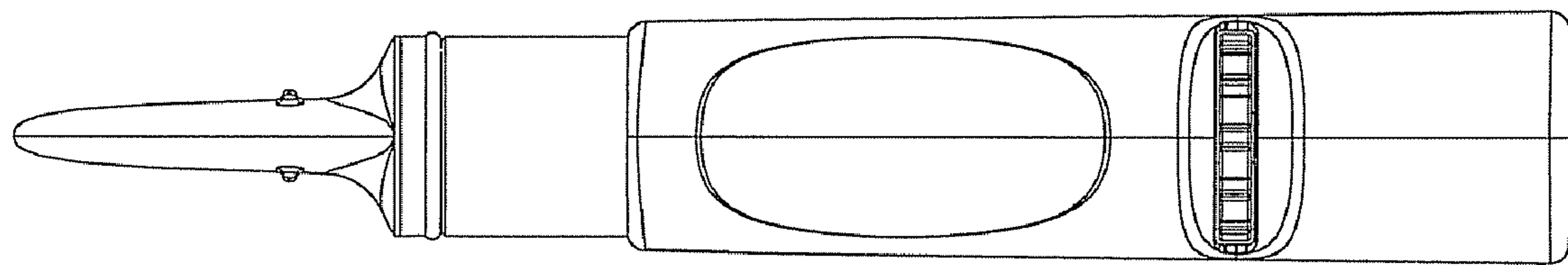


Fig. 2

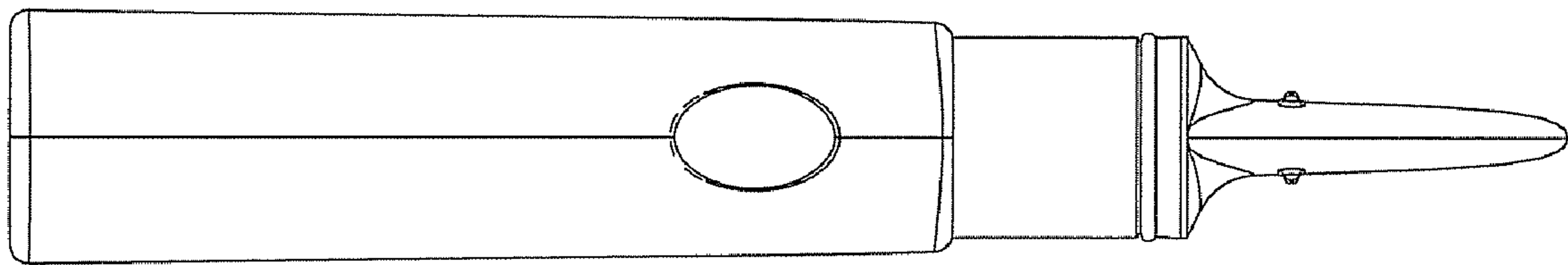


Fig. 3

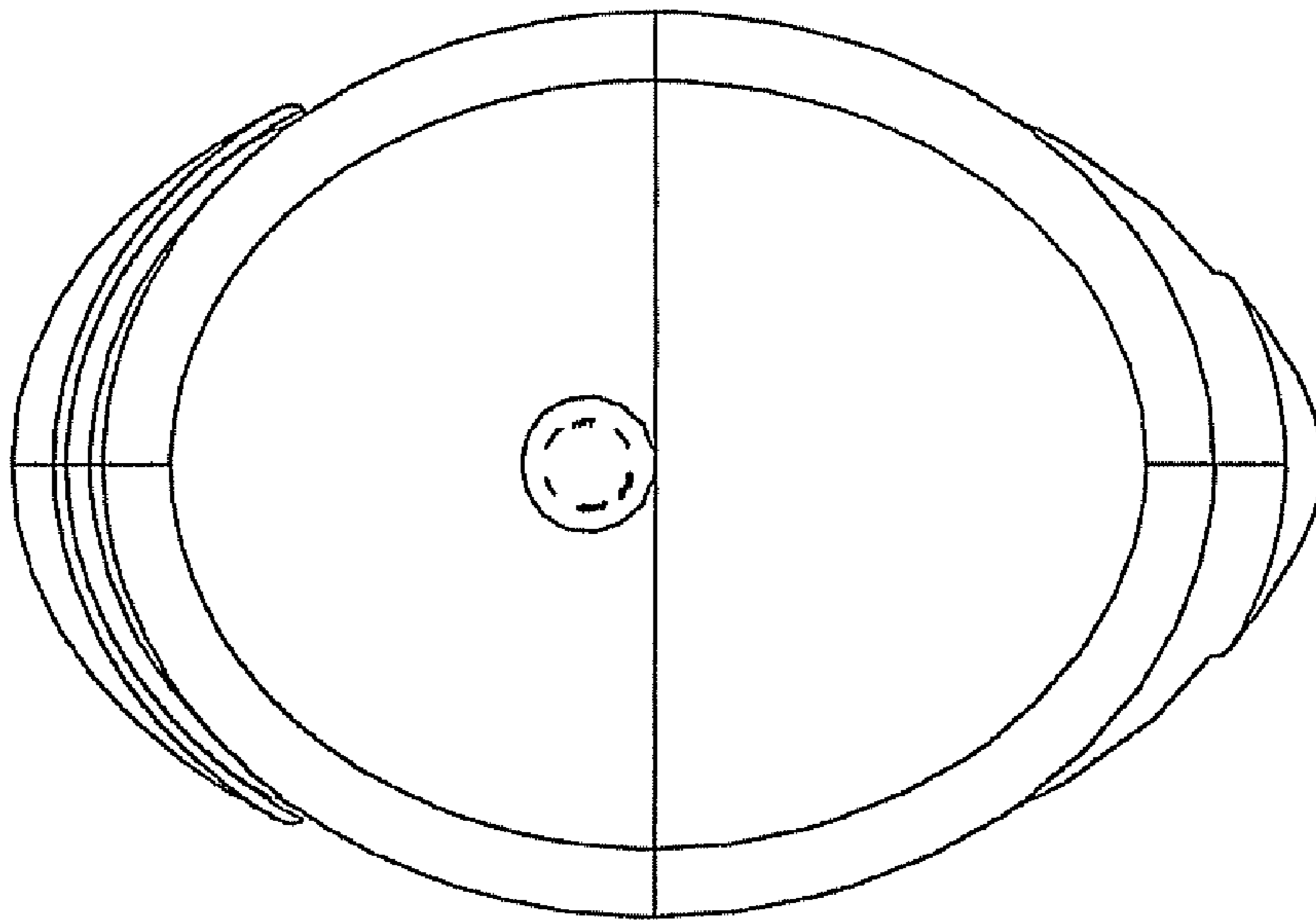


Fig. 4

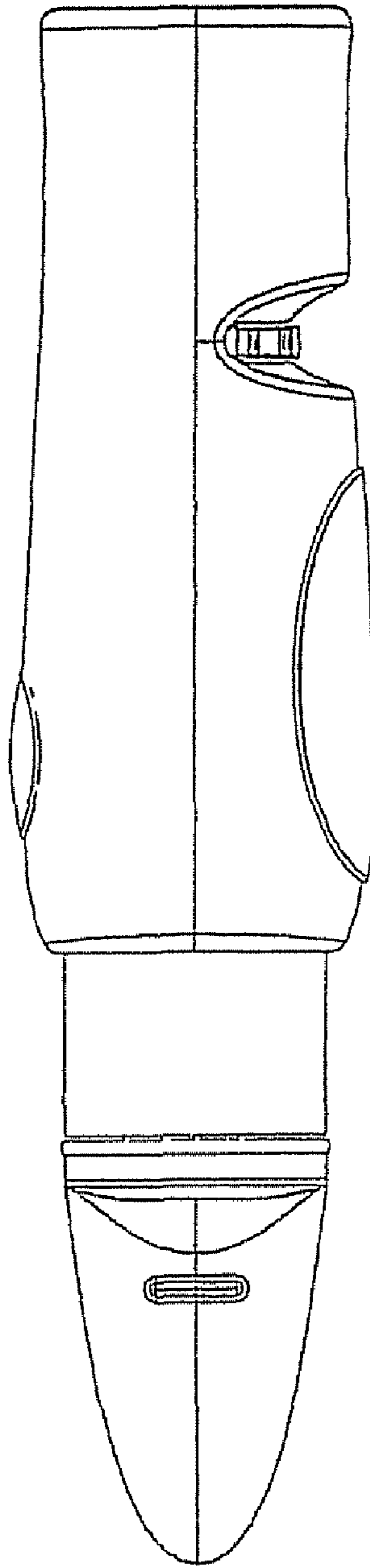


Fig. 5

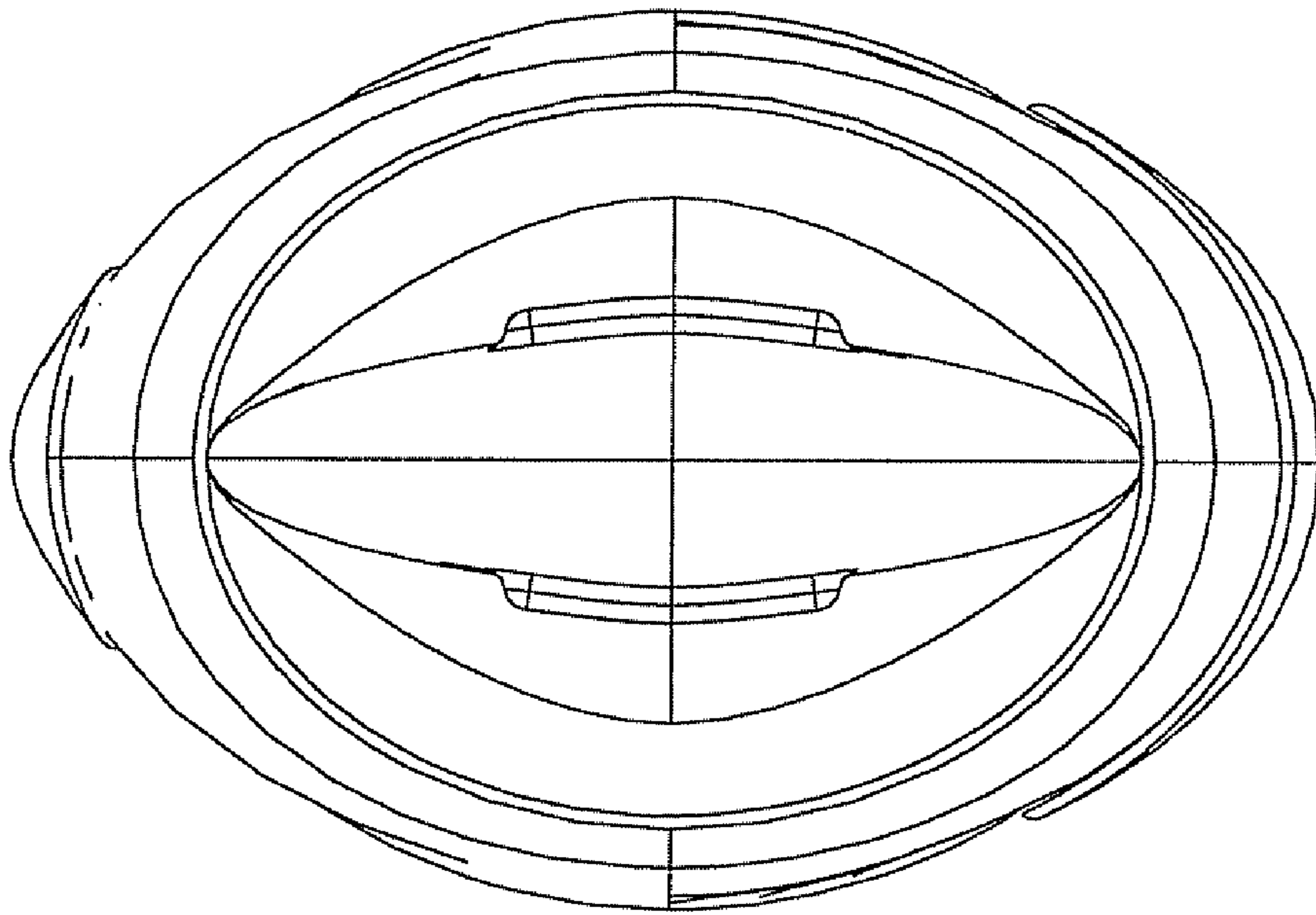


Fig. 6

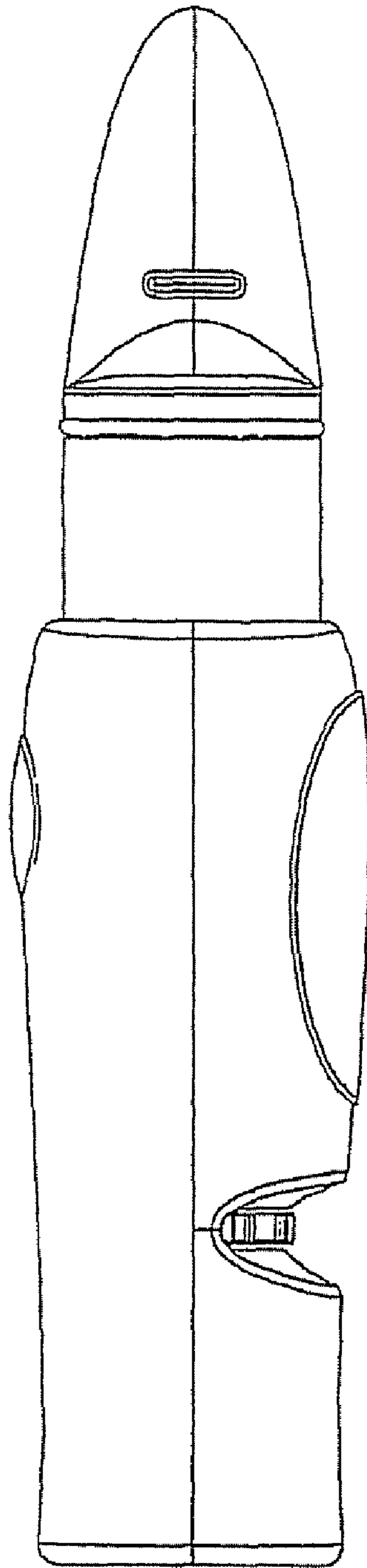


Fig. 7