



US00D623537S

(12) **United States Design Patent**  
**Berman**

(10) **Patent No.:** **US D623,537 S**

(45) **Date of Patent:** **\*\* \*Sep. 14, 2010**

(54) **TRIANGULAR POUCH WITH LARGE SPOUT**

(75) Inventor: **Ronald H. Berman**, Long Beach, CA  
(US)

(73) Assignee: **Bosch Pouch Systems AG**, Neuhausen  
(CH)

(\* ) Notice: This patent is subject to a terminal disclaimer.

(\*\*) Term: **14 Years**

(21) Appl. No.: **29/269,903**

(22) Filed: **Dec. 11, 2006**

(51) **LOC (9) Cl.** ..... **09-05**

(52) **U.S. Cl.** ..... **D9/708**

(58) **Field of Classification Search** ..... D9/695-697,  
D9/707-708, 710-711, 719-722, 434-435,  
D9/415, 417, 442, 447, 522, 716; 383/42,  
383/61.2, 104, 119, 906; 222/107, 541.1,  
222/541.5; 220/495.03

See application file for complete search history.

(56) **References Cited**

**U.S. PATENT DOCUMENTS**

4,830,273	A *	5/1989	Kalberer et al. ....	229/123.1
D307,385	S *	4/1990	Kimura .....	D9/697
5,108,029	A *	4/1992	Abrams et al. ....	229/125.09
D420,908	S *	2/2000	Sumner .....	D9/417
D437,218	S *	2/2001	Ljunstrom et al. ....	D9/417
D513,991	S *	1/2006	Canino .....	D9/527
D527,629	S *	9/2006	Franic .....	D9/431
D548,612	S *	8/2007	Berman .....	D9/708
D550,570	S *	9/2007	Berman .....	D9/708
D562,130	S *	2/2008	Kortsmit et al. ....	D9/430

\* cited by examiner

*Primary Examiner*—Caron Veynar

*Assistant Examiner*—Abraham Bahta

(74) *Attorney, Agent, or Firm*—Fulwider Patton LLP

(57) **CLAIM**

The ornamental design for a triangular pouch with large spout, as shown and described.

**DESCRIPTION**

FIG. 1 is an elevated perspective view of a first embodiment of a triangular pouch with large spout showing my new design;

FIG. 2 is a front view thereof;

FIG. 3 is a rear view thereof;

FIG. 4 is a first side view thereof;

FIG. 5 is a second side view thereof;

FIG. 6 is a top view thereof;

FIG. 7 is a bottom view thereof;

FIG. 8 is an elevated perspective view of a second embodiment of a triangular pouch with a large spout showing my new design;

FIG. 9 is a front view thereof;

FIG. 10 is a rear view thereof;

FIG. 11 is a first side view thereof;

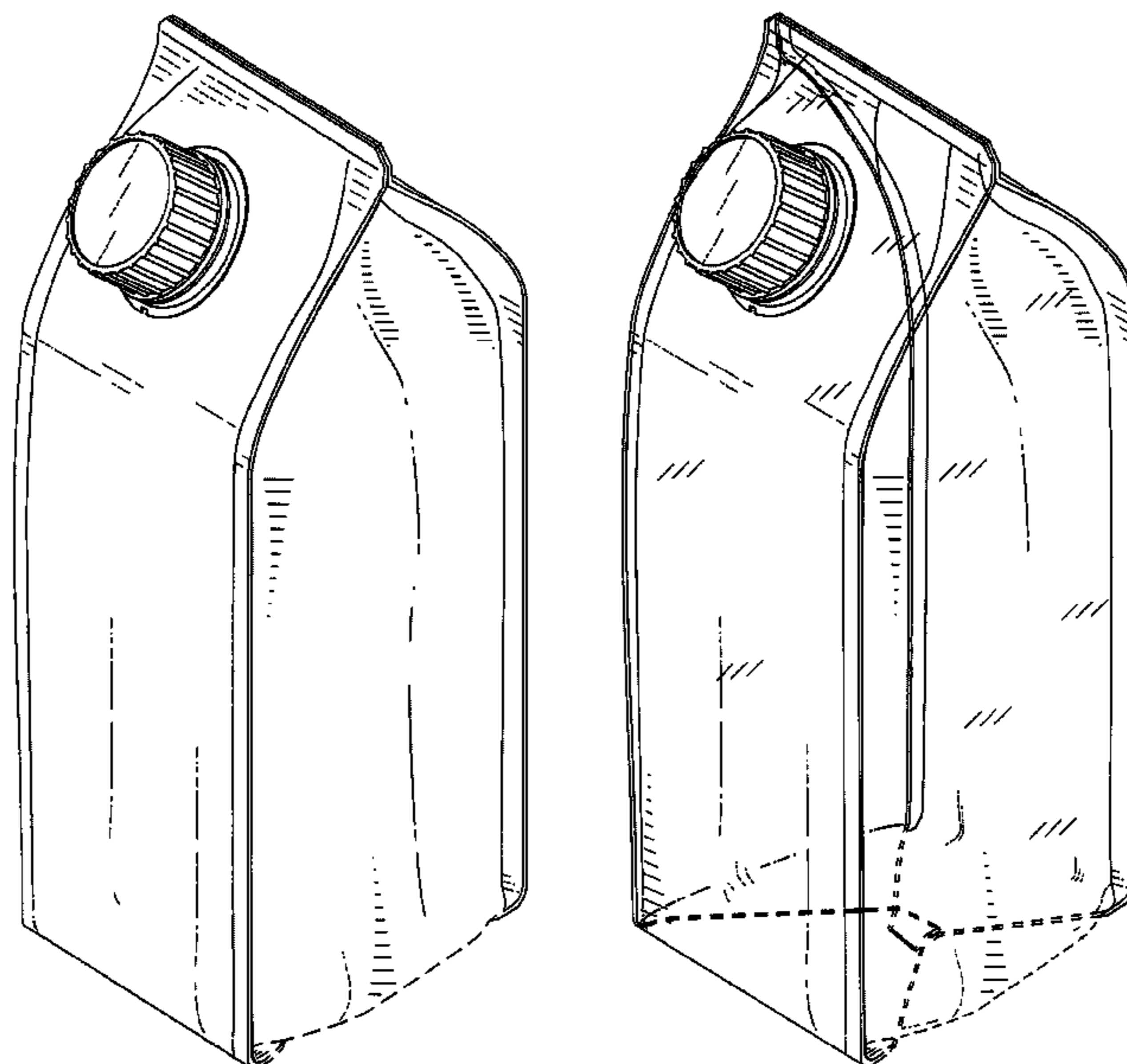
FIG. 12 is a second side view thereof;

FIG. 13 is a top view thereof; and,

FIG. 14 is a bottom view thereof.

The broken lines shown in FIGS. 4-5, 7-8, and 11-14 are for illustrative purposes only and form no part of the claimed design.

**1 Claim, 8 Drawing Sheets**



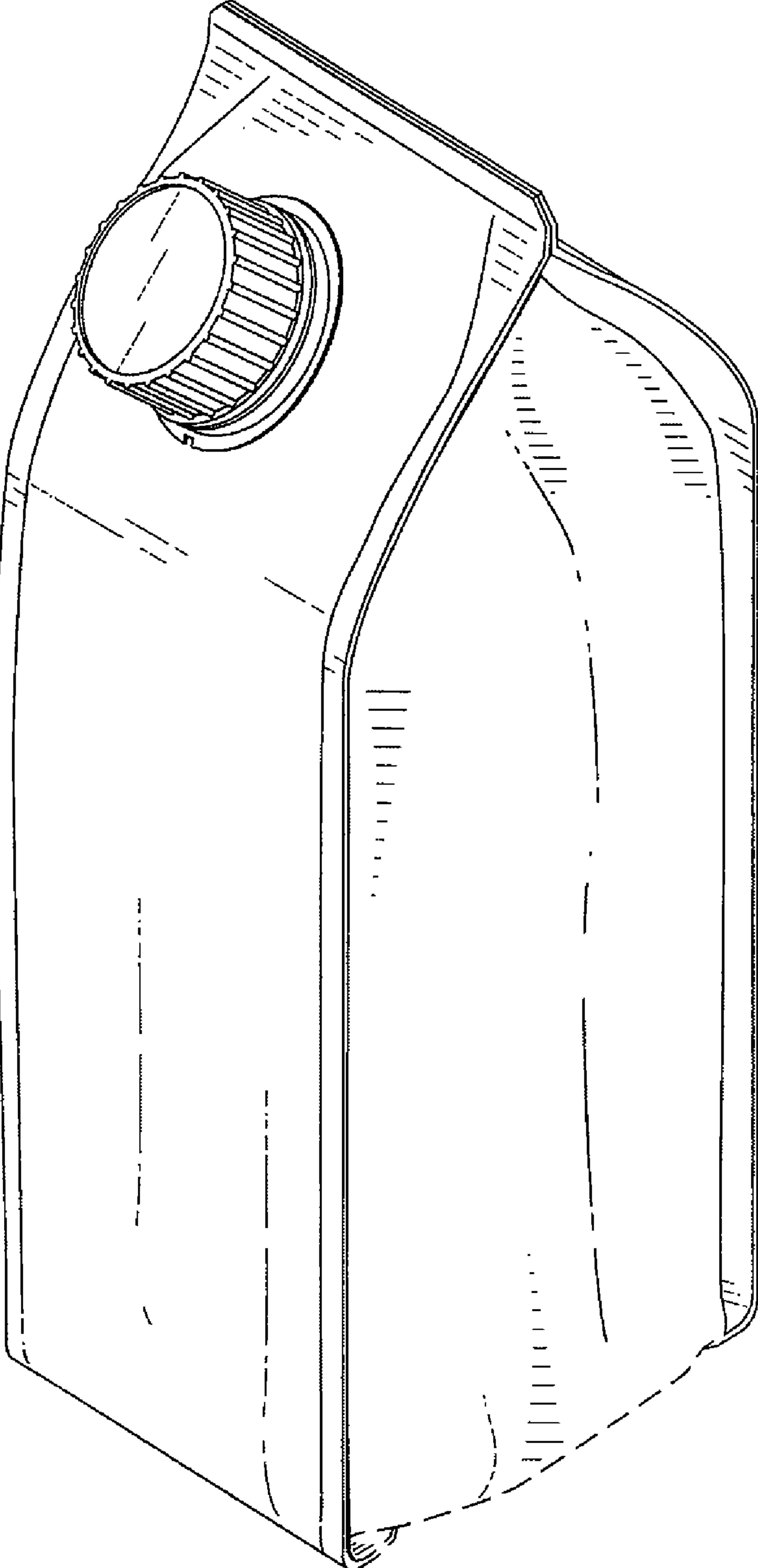


FIG. 1

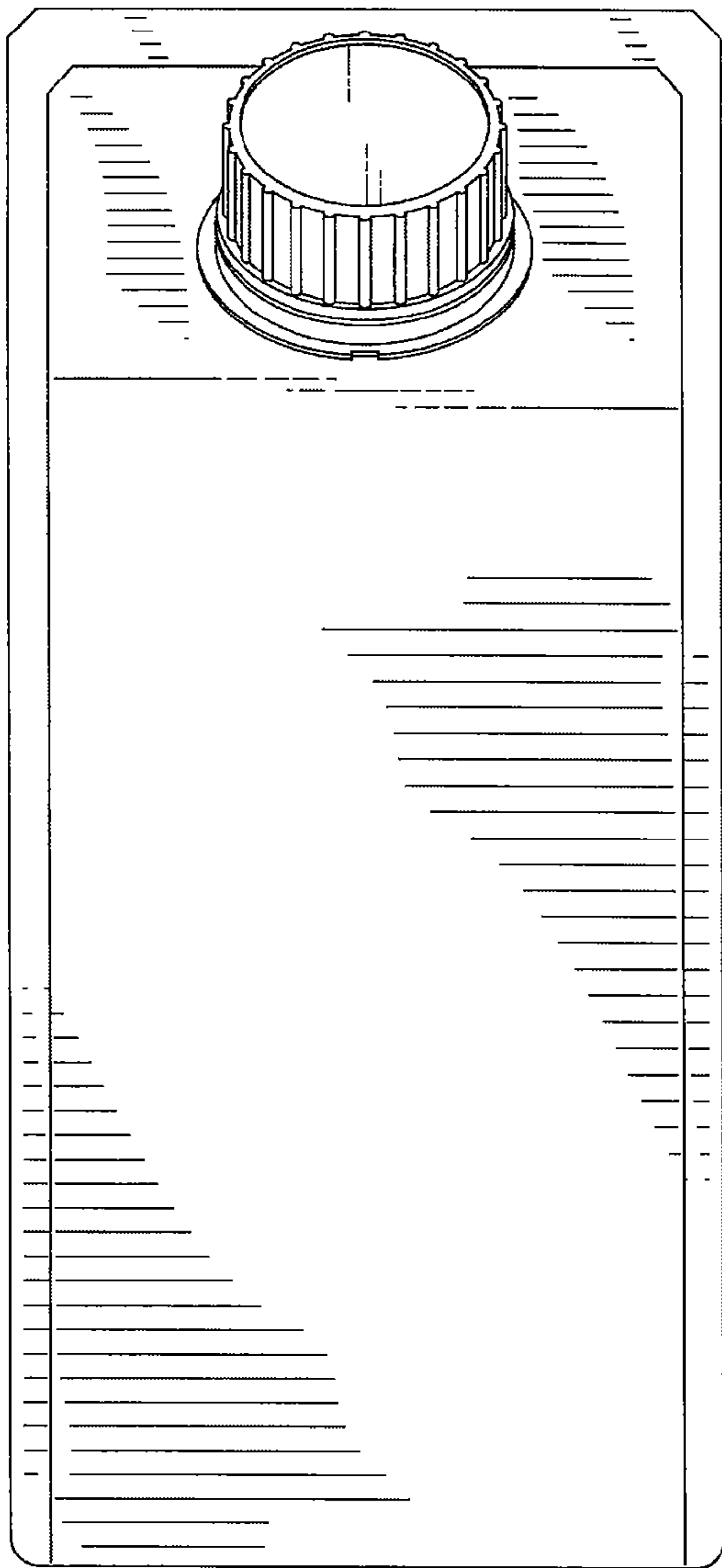


FIG. 2

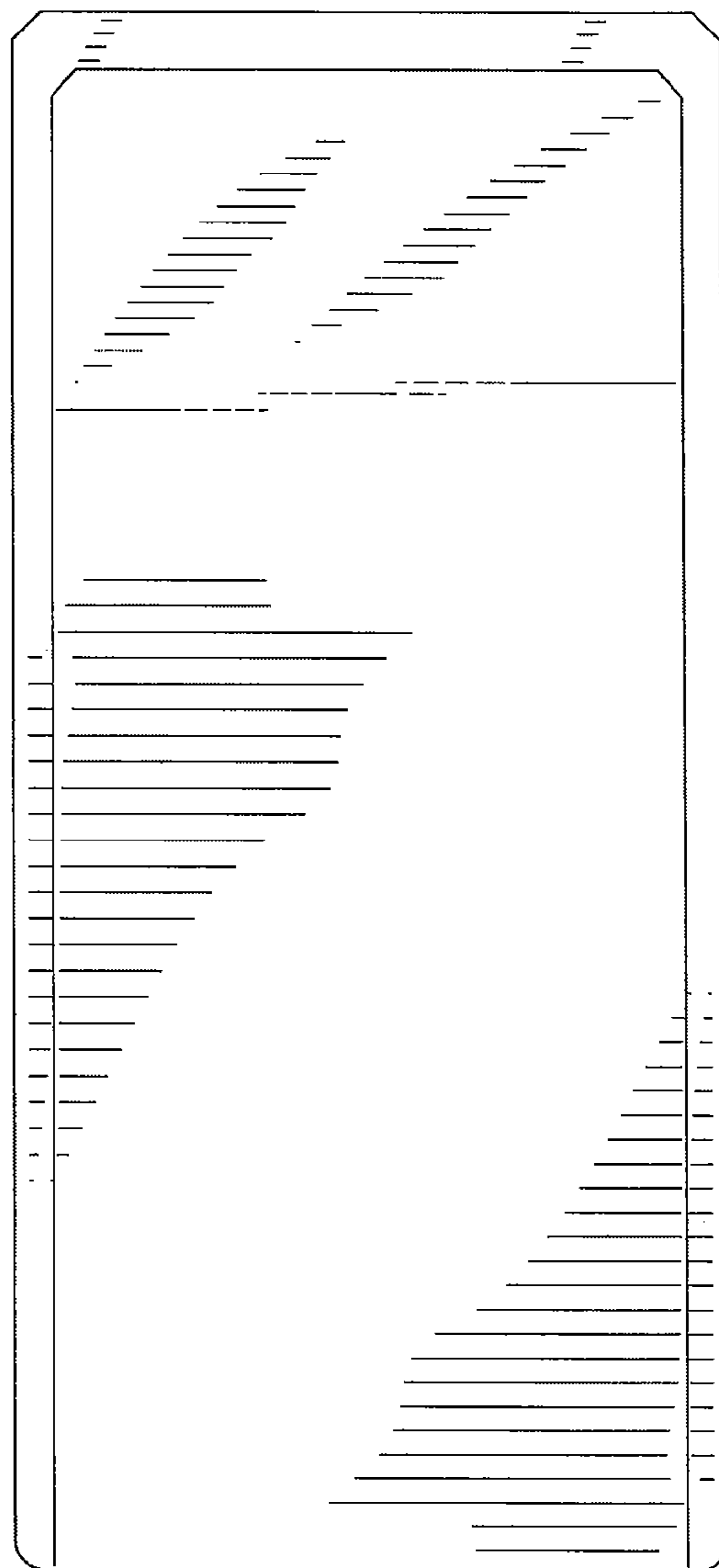


FIG. 3

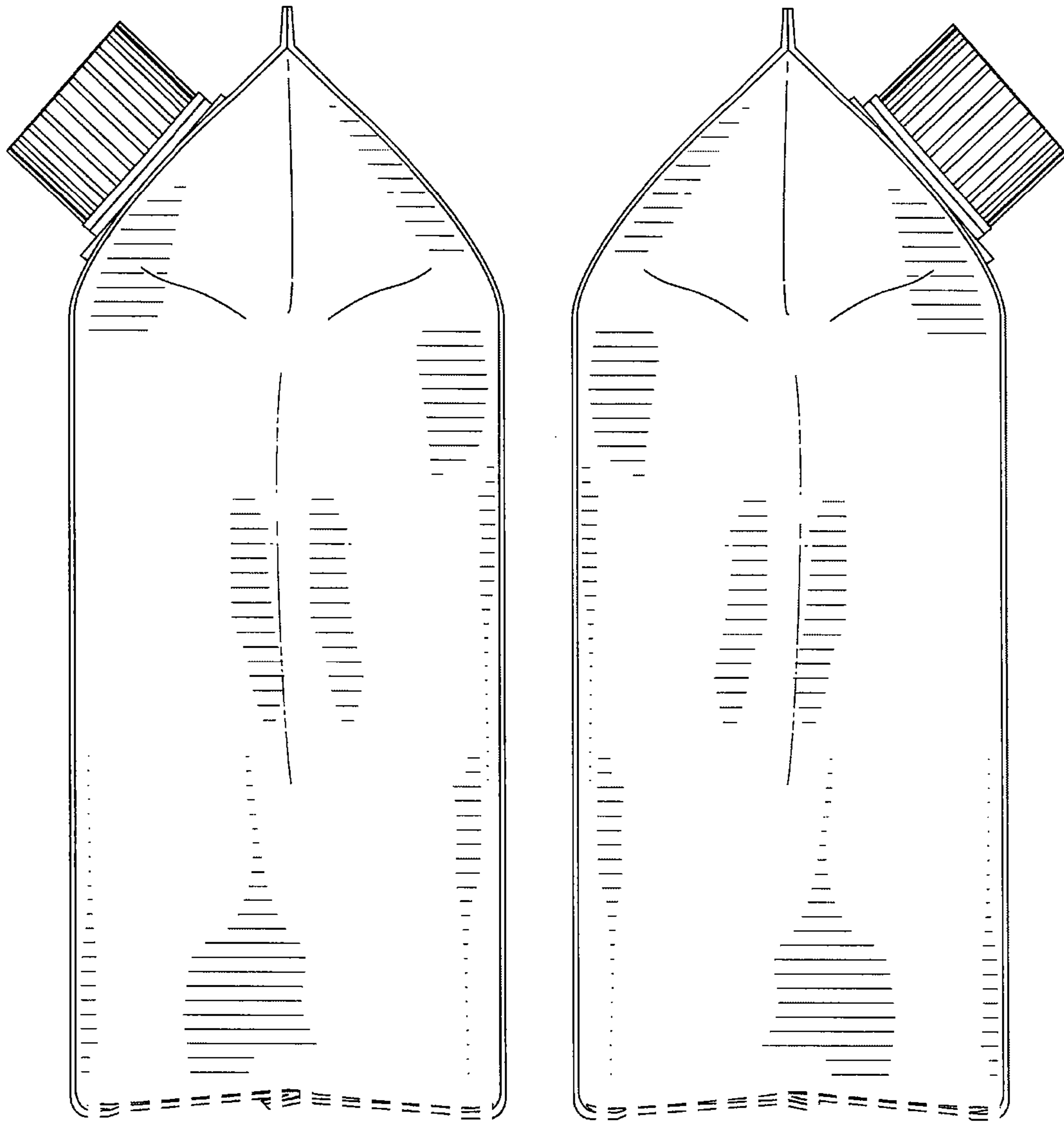


FIG. 4

FIG. 5

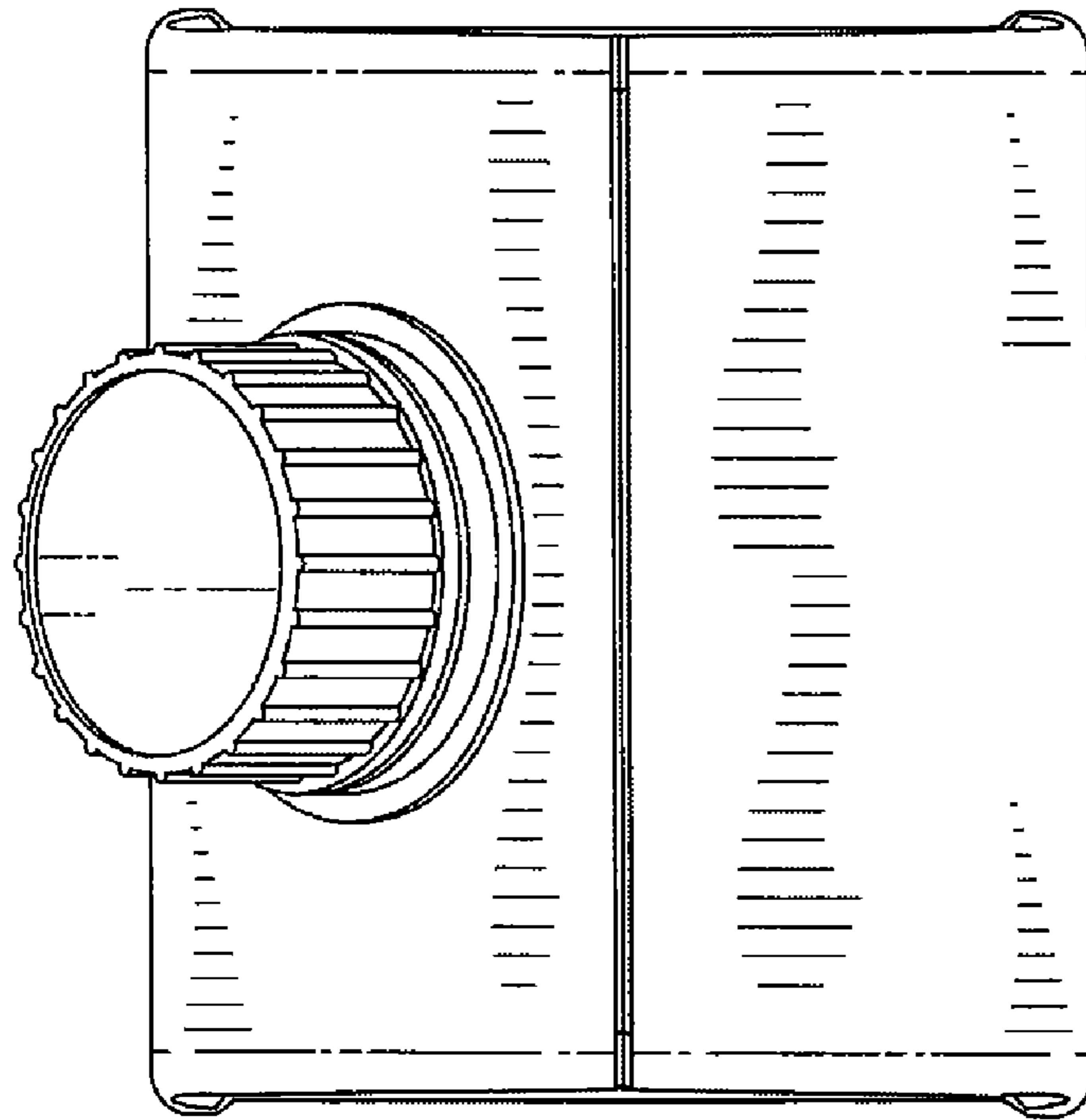


FIG. 6

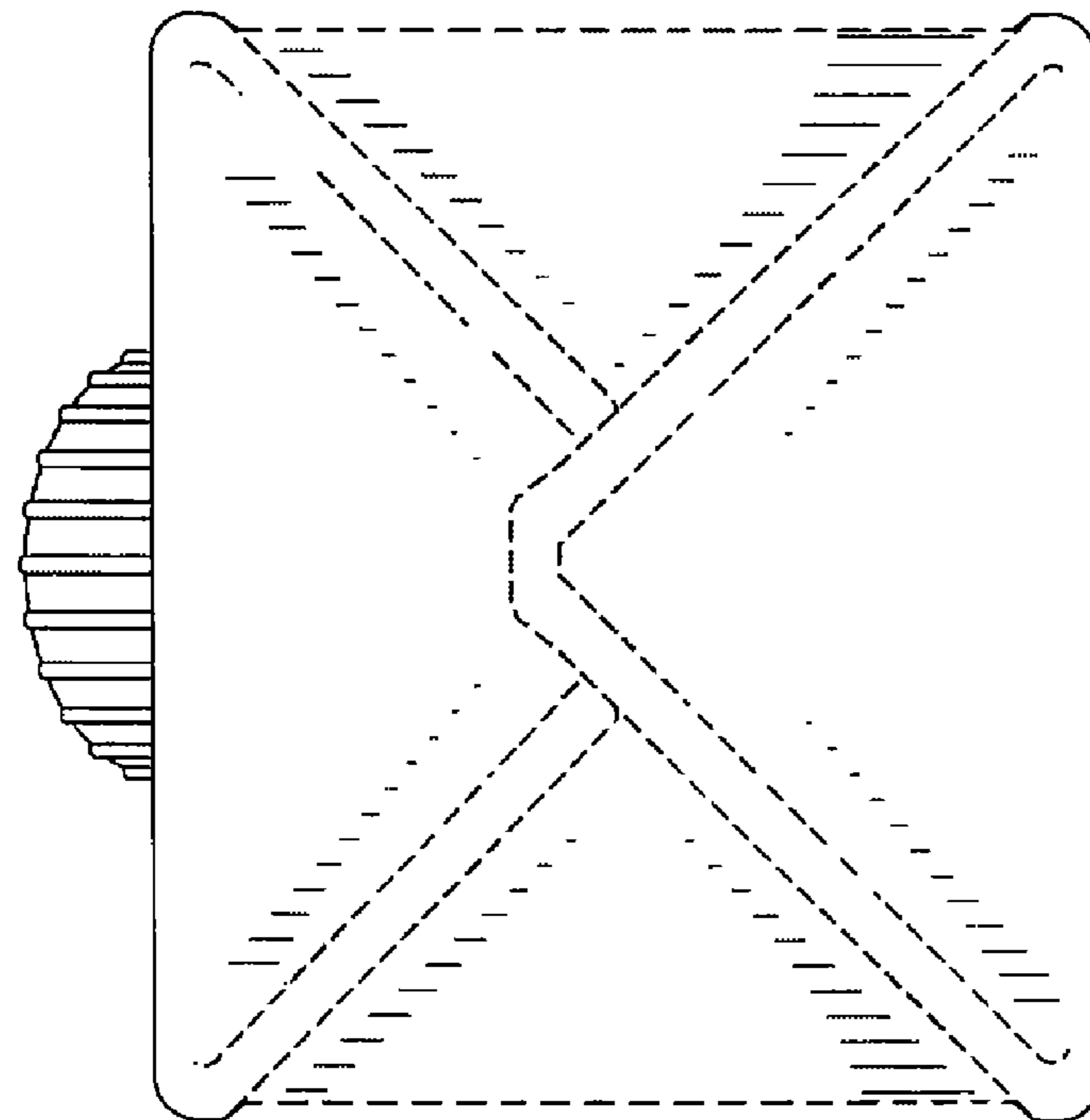


FIG. 7

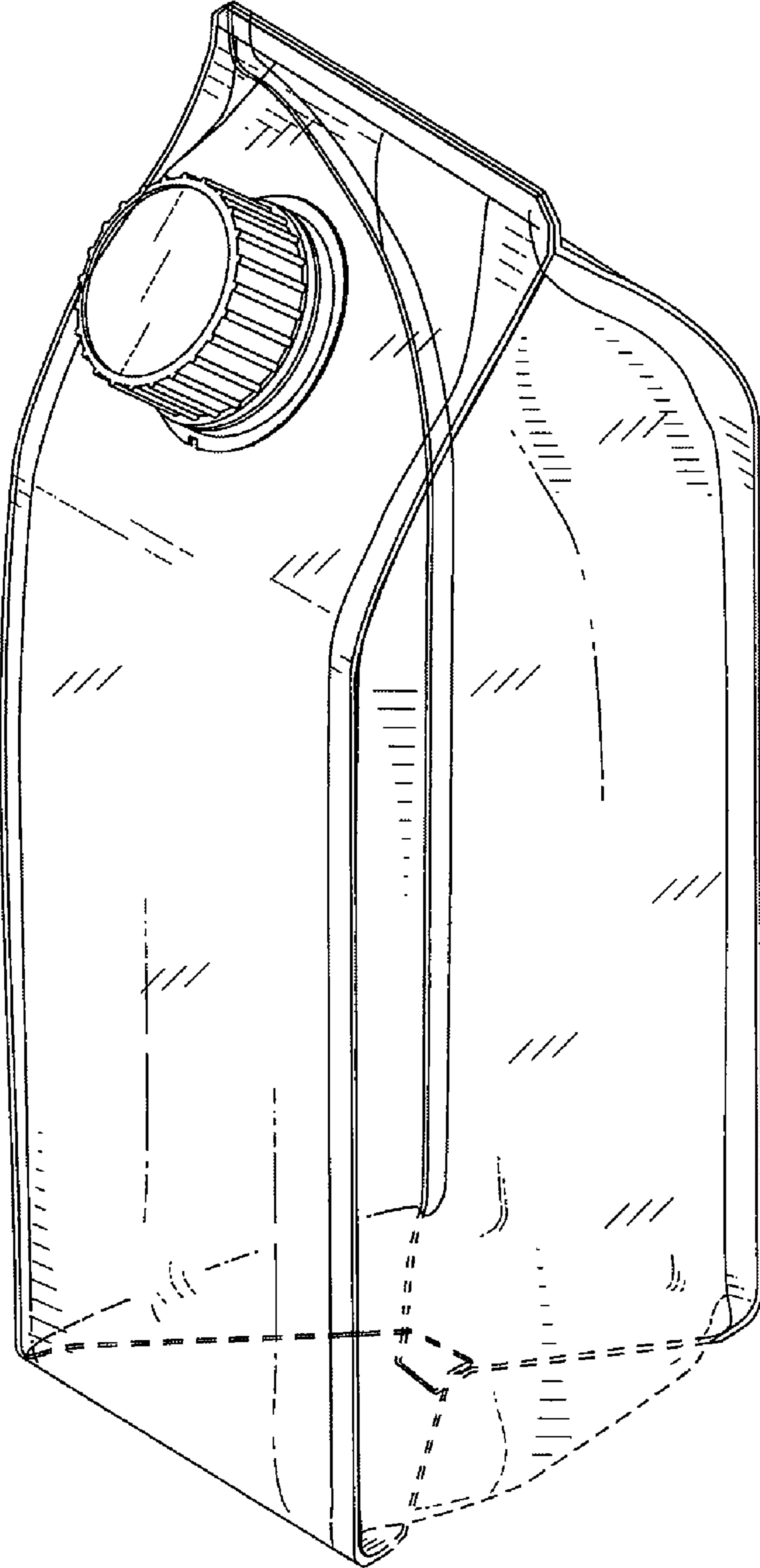


FIG. 8

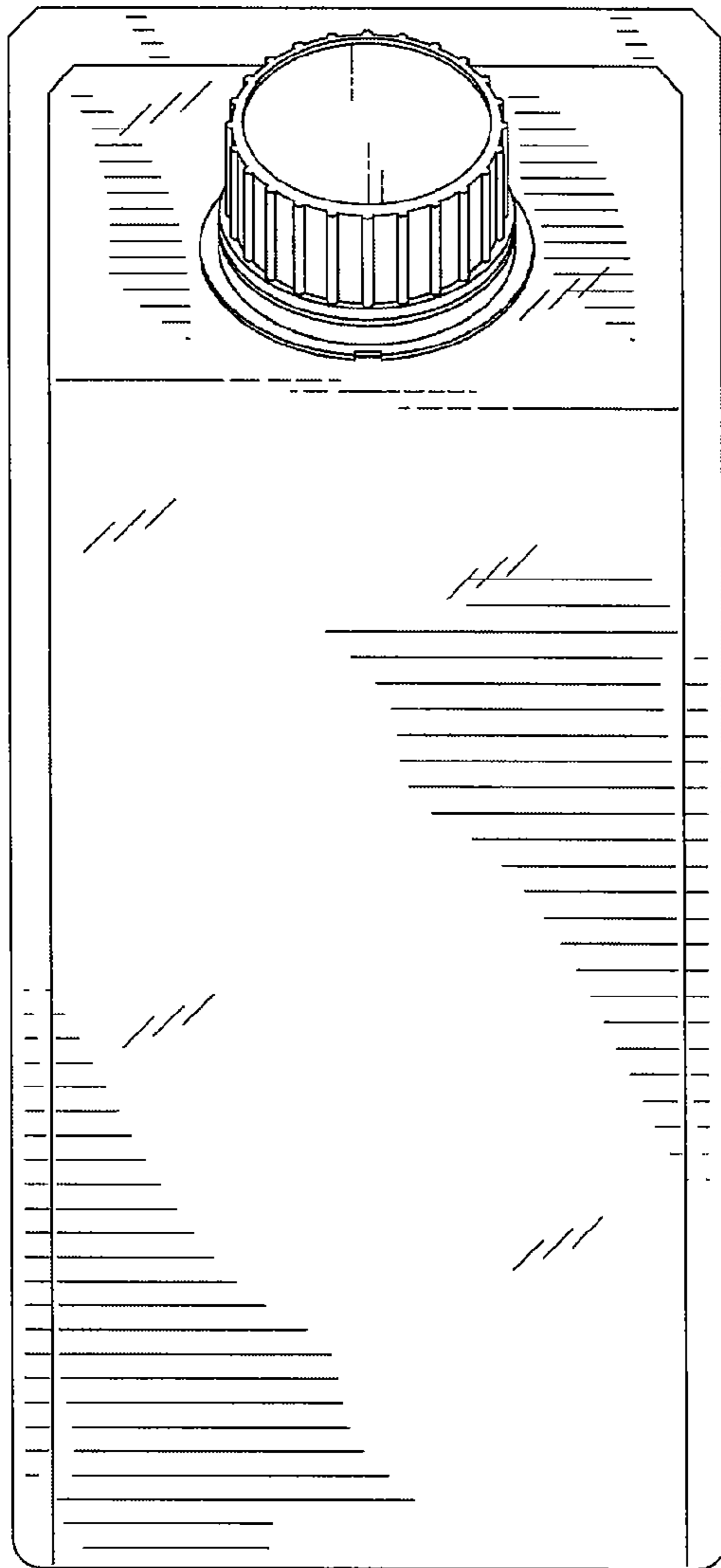


FIG. 9

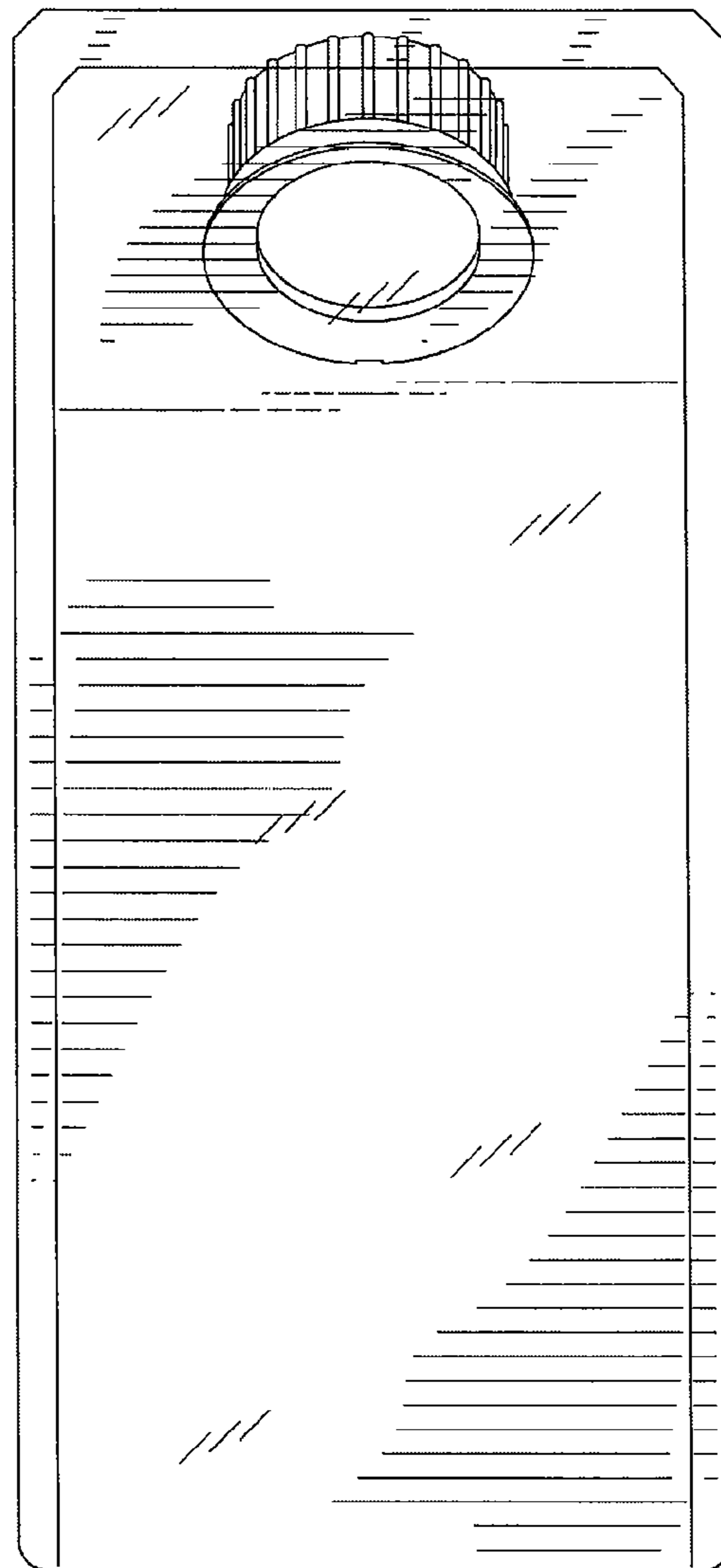


FIG. 10

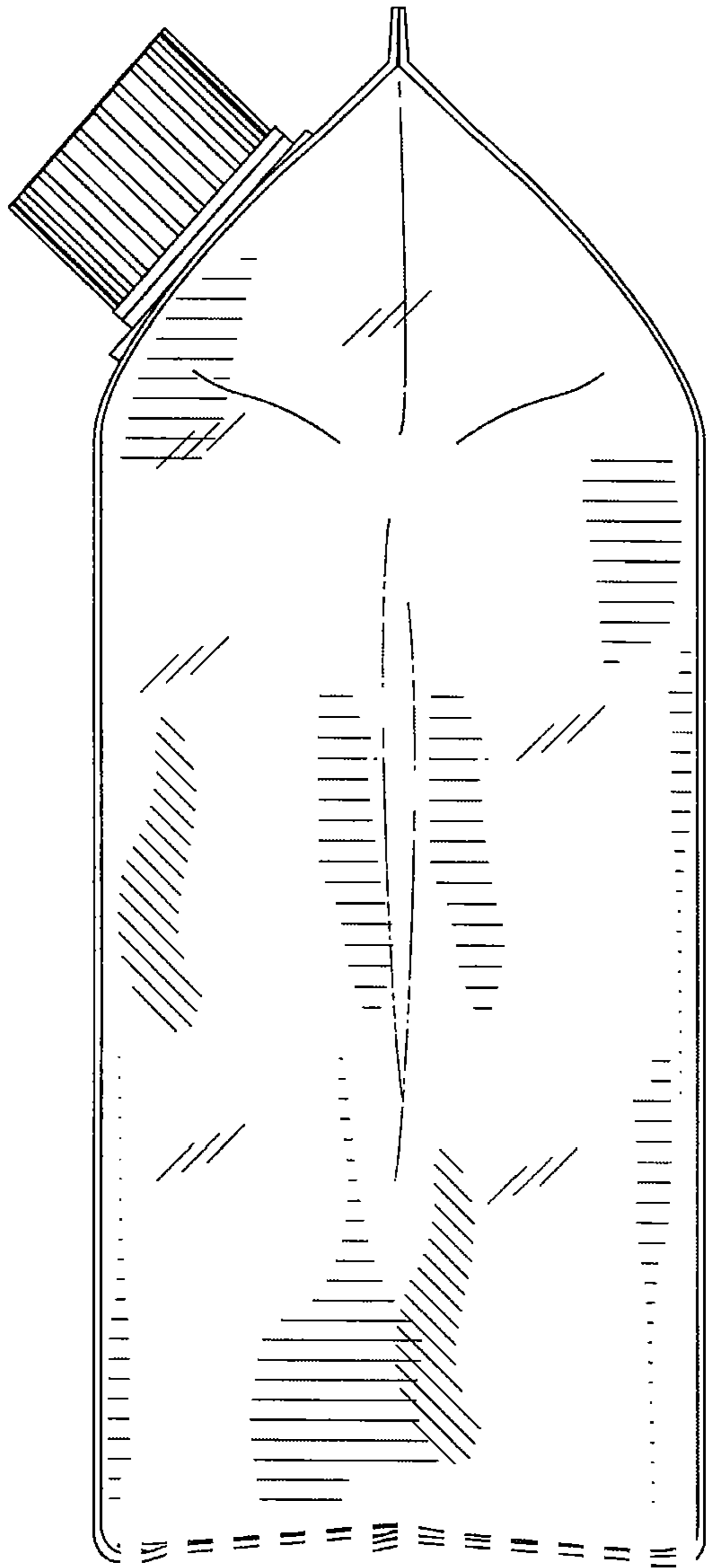


FIG. 11

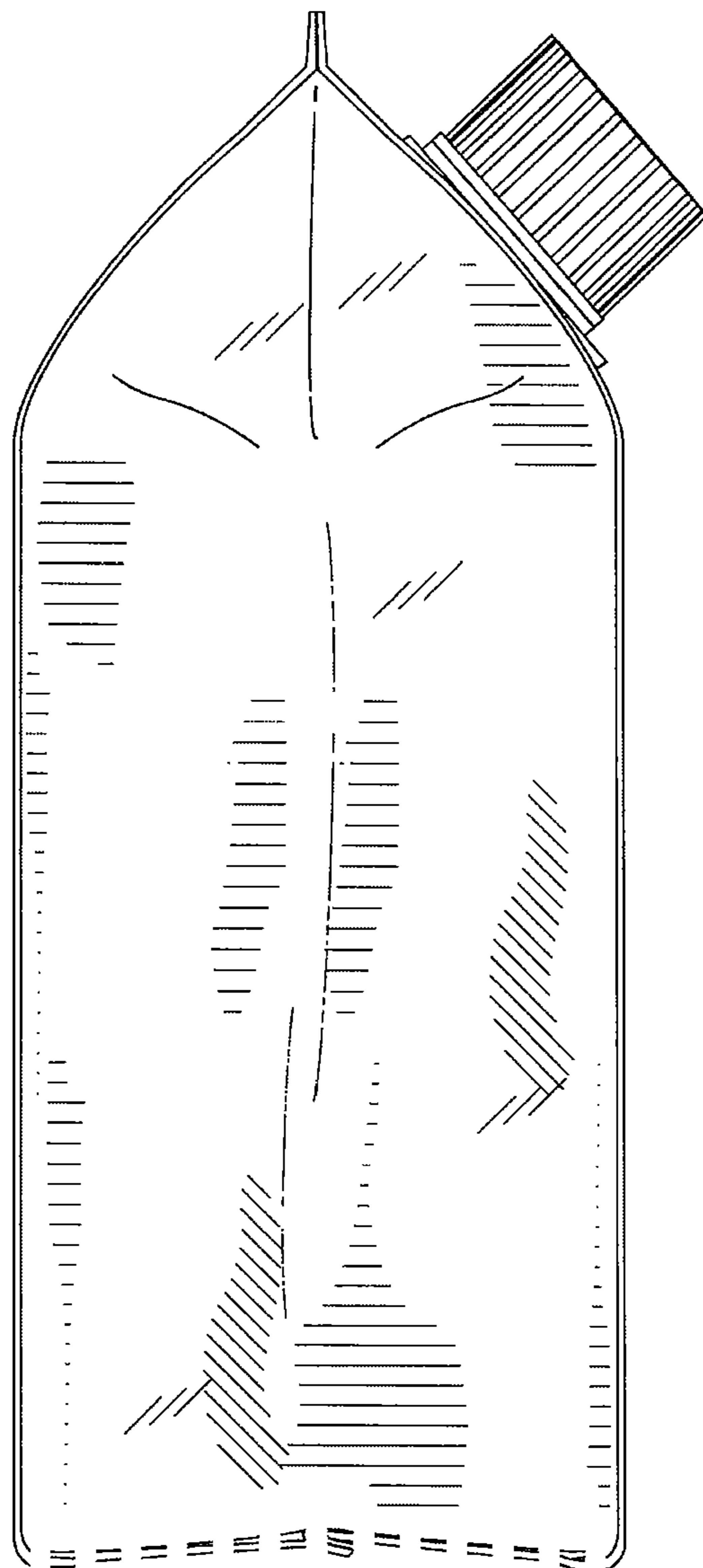


FIG. 12



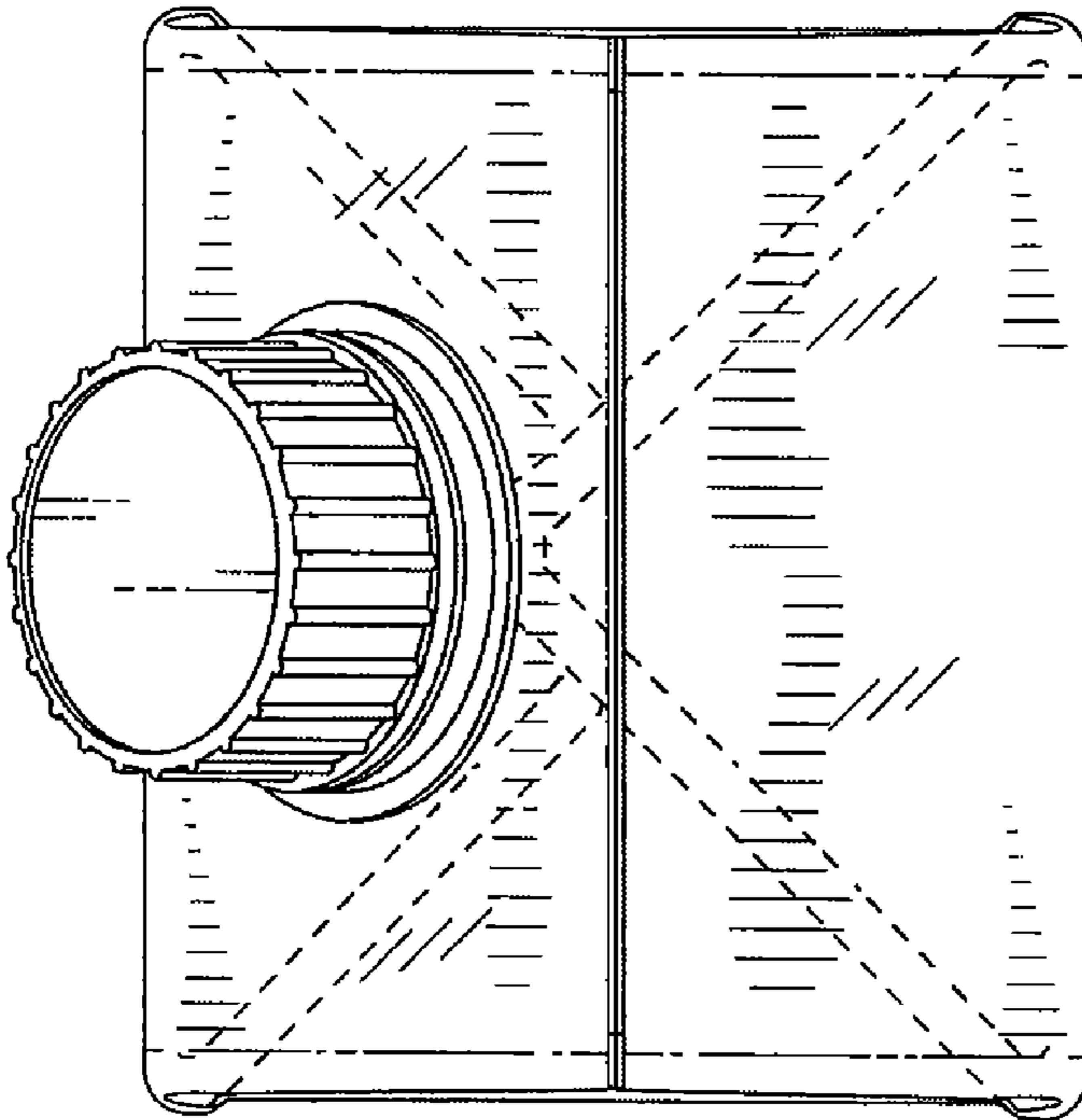


FIG. 13

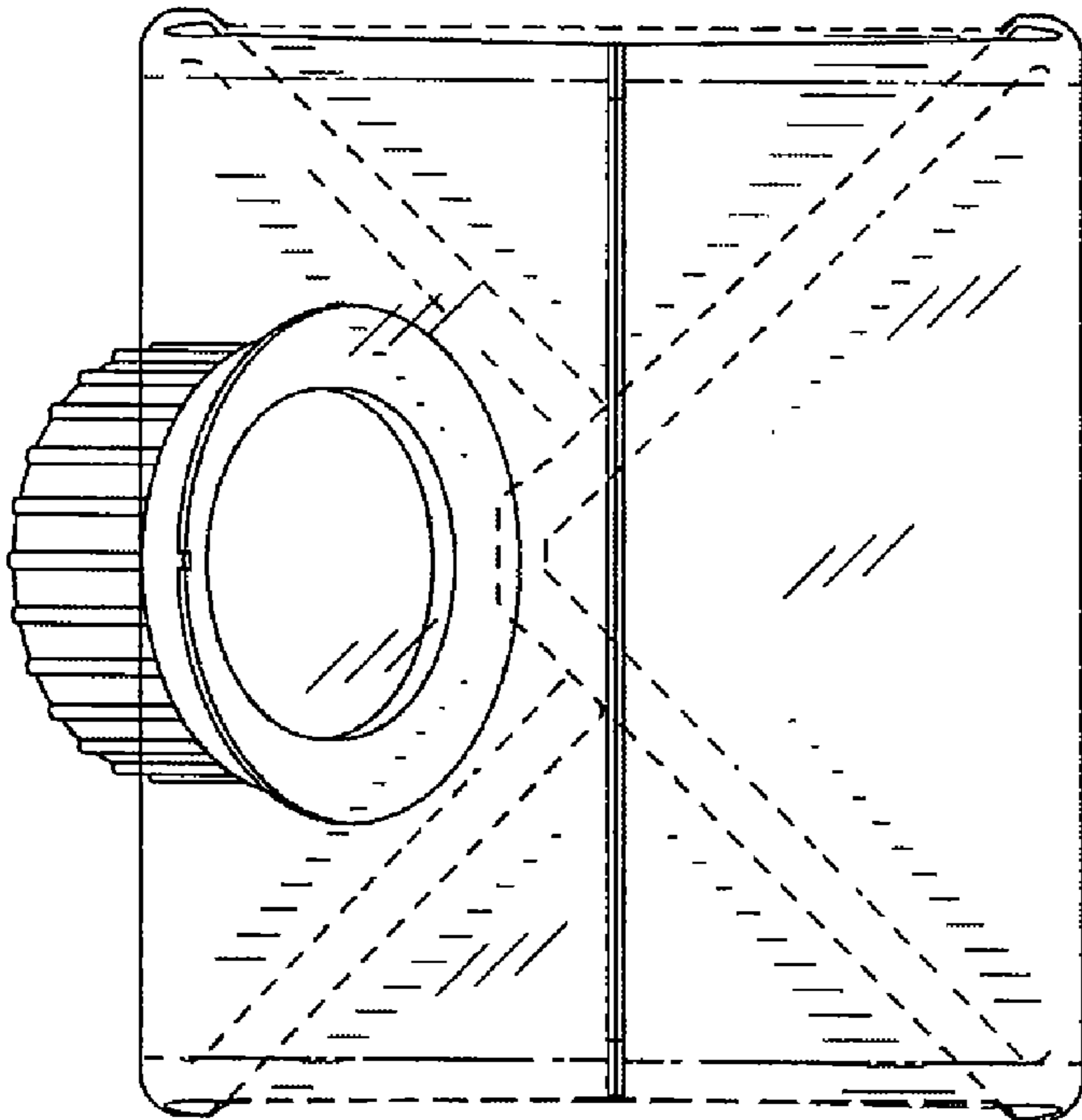


FIG. 14