



US00D623535S

(12) **United States Design Patent**  
**Nilsson et al.**

(10) **Patent No.:** **US D623,535 S**

(45) **Date of Patent:** **\*\* Sep. 14, 2010**

(54) **CATHETER PACKAGE**

(75) Inventors: **Lisa Nilsson**, Johanneshov (SE); **Karin van der Kwast Gissberg**, Stockholm (SE)

(73) Assignee: **Astra Tech AB**, Molndal (SE)

(\*\*) Term: **14 Years**

(21) Appl. No.: **29/311,573**

(22) Filed: **Apr. 22, 2009**

(30) **Foreign Application Priority Data**

Oct. 29, 2008 (EM) ..... 001029938-1/2

(51) **LOC (9) Cl.** ..... **09-05**

(52) **U.S. Cl.** ..... **D9/707**

(58) **Field of Classification Search** ..... D9/707,  
D9/414, 415, 418, 416, 424-425; D24/442,  
D24/130, 114, 121; 206/363-364, 438, 470,  
206/366, 481, 495; 604/317, 540

See application file for complete search history.

(56) **References Cited**

**U.S. PATENT DOCUMENTS**

- D491,803 S \* 6/2004 Nestenborg ..... D9/414
- D496,266 S \* 9/2004 Nestenborg ..... D9/415
- D498,671 S \* 11/2004 Nestenborg ..... D9/415
- D499,017 S \* 11/2004 Nestenborg ..... D9/414
- D503,335 S \* 3/2005 Risberg et al. .... D9/415

D505,067 S \* 5/2005 Nestenborg ..... D9/414

\* cited by examiner

*Primary Examiner*—Caron Veynar

*Assistant Examiner*—Abraham Bahta

(74) *Attorney, Agent, or Firm*—Birch, Stewart, Kolasch & Birch, LLP

(57) **CLAIM**

The ornamental design for a catheter package, as shown and described.

**DESCRIPTION**

The patent application file contains at least one drawing executed in color. Copies of this patent application with color drawings will be provided by the office upon request and payment of the necessary fee.

FIG. 1 is a perspective view of a catheter package showing my new design;

FIG. 2 is a perspective view thereof;

FIG. 3 front elevational view thereof;

FIG. 4 is a rear elevational view thereof;

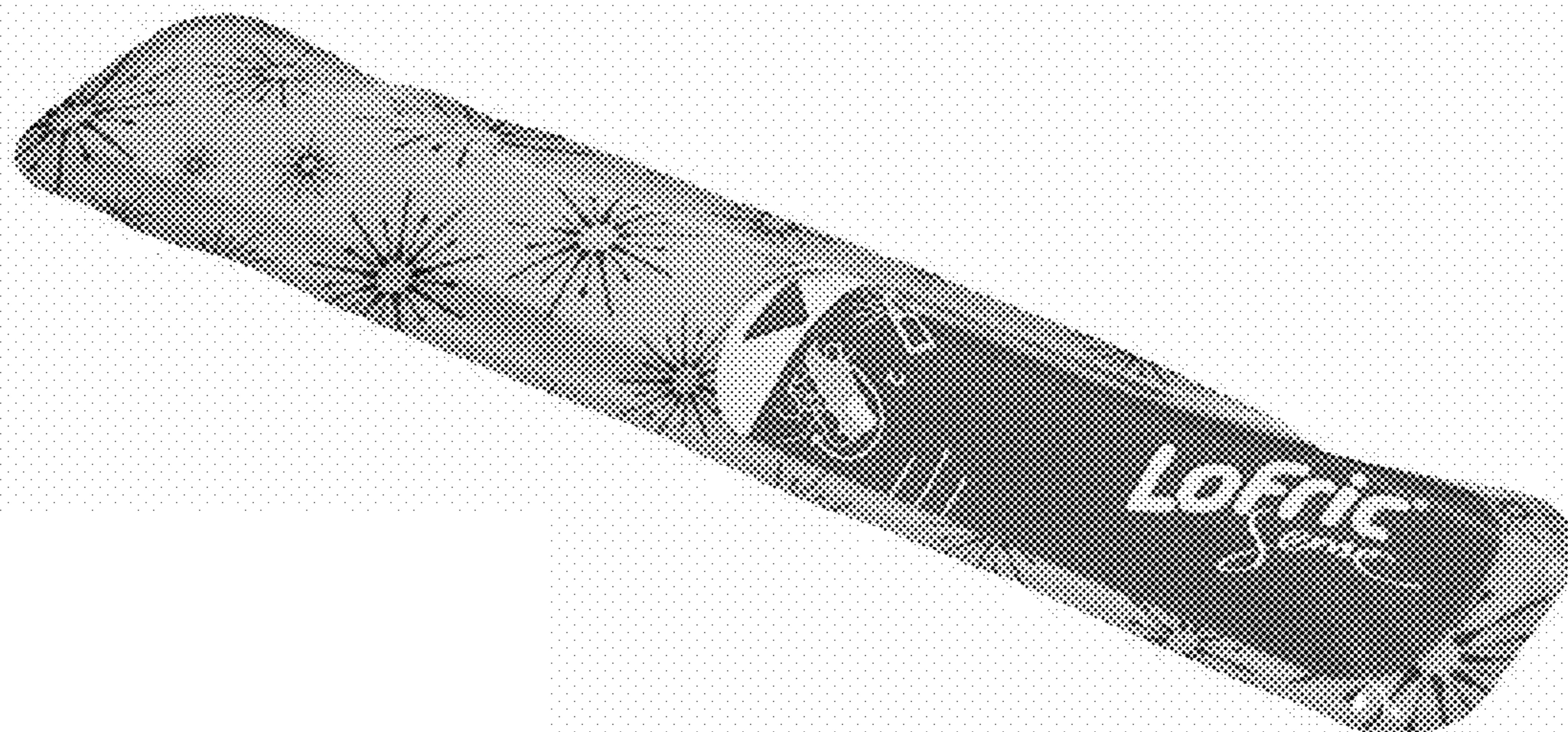
FIG. 5 is a perspective view of a second embodiment of a catheter package showing my new design;

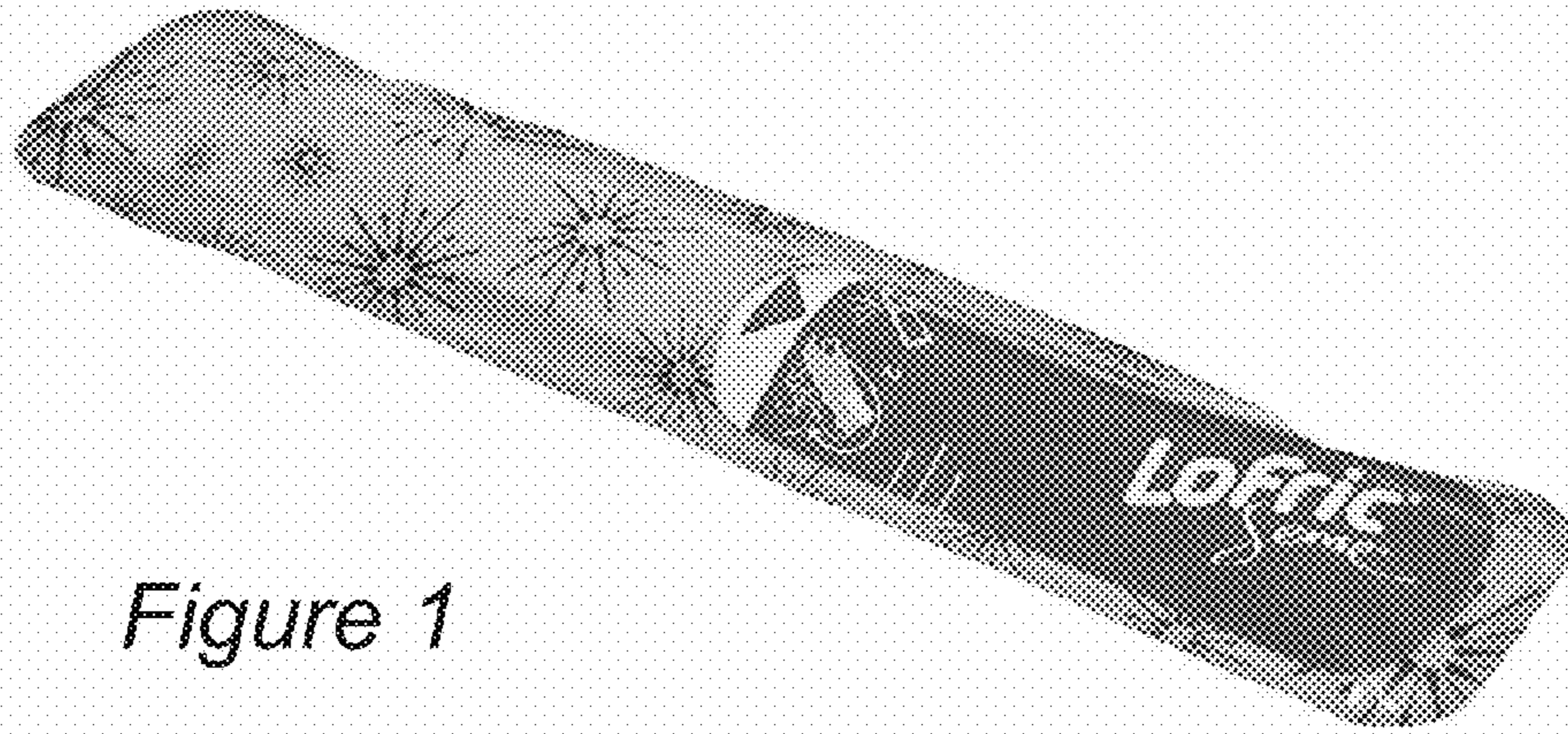
FIG. 6 is a perspective view thereof;

FIG. 7 front elevational view thereof; and,

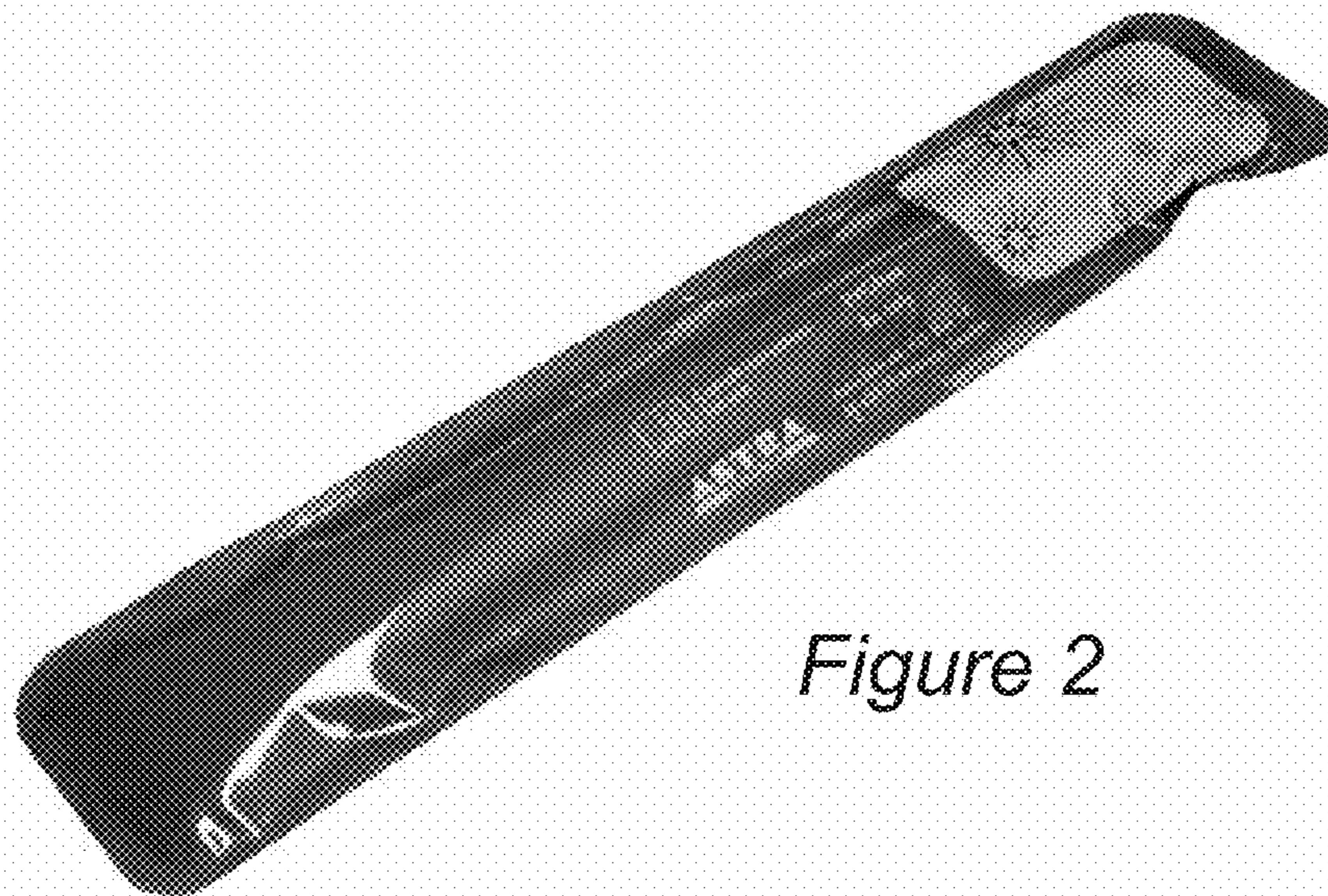
FIG. 8 is a rear elevational view thereof.

**1 Claim, 4 Drawing Sheets**  
**(4 of 4 Drawing Sheet(s) Filed in Color)**





*Figure 1*



*Figure 2*

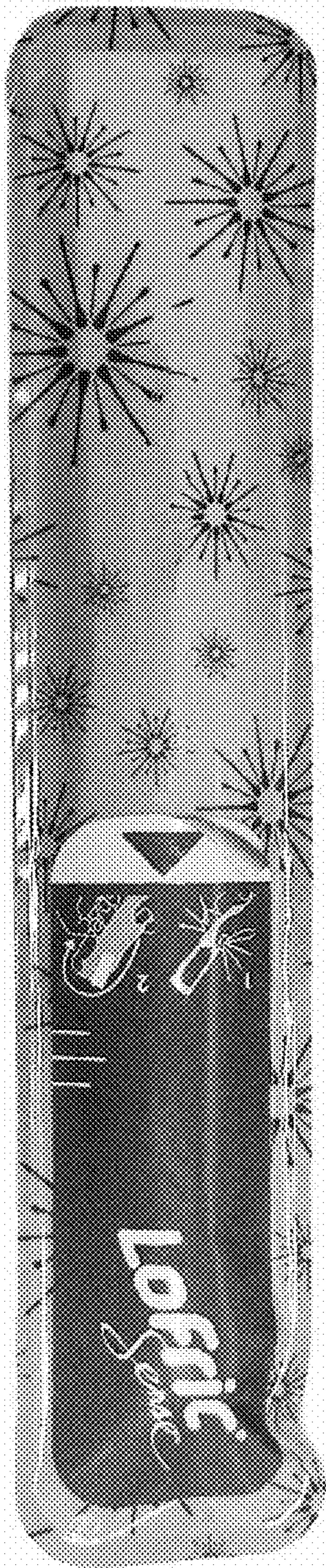


Figure 3

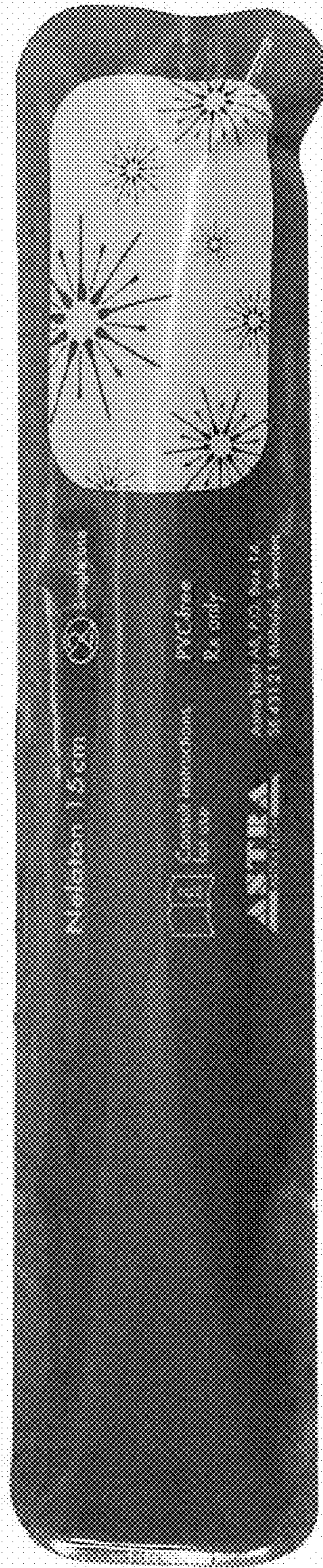
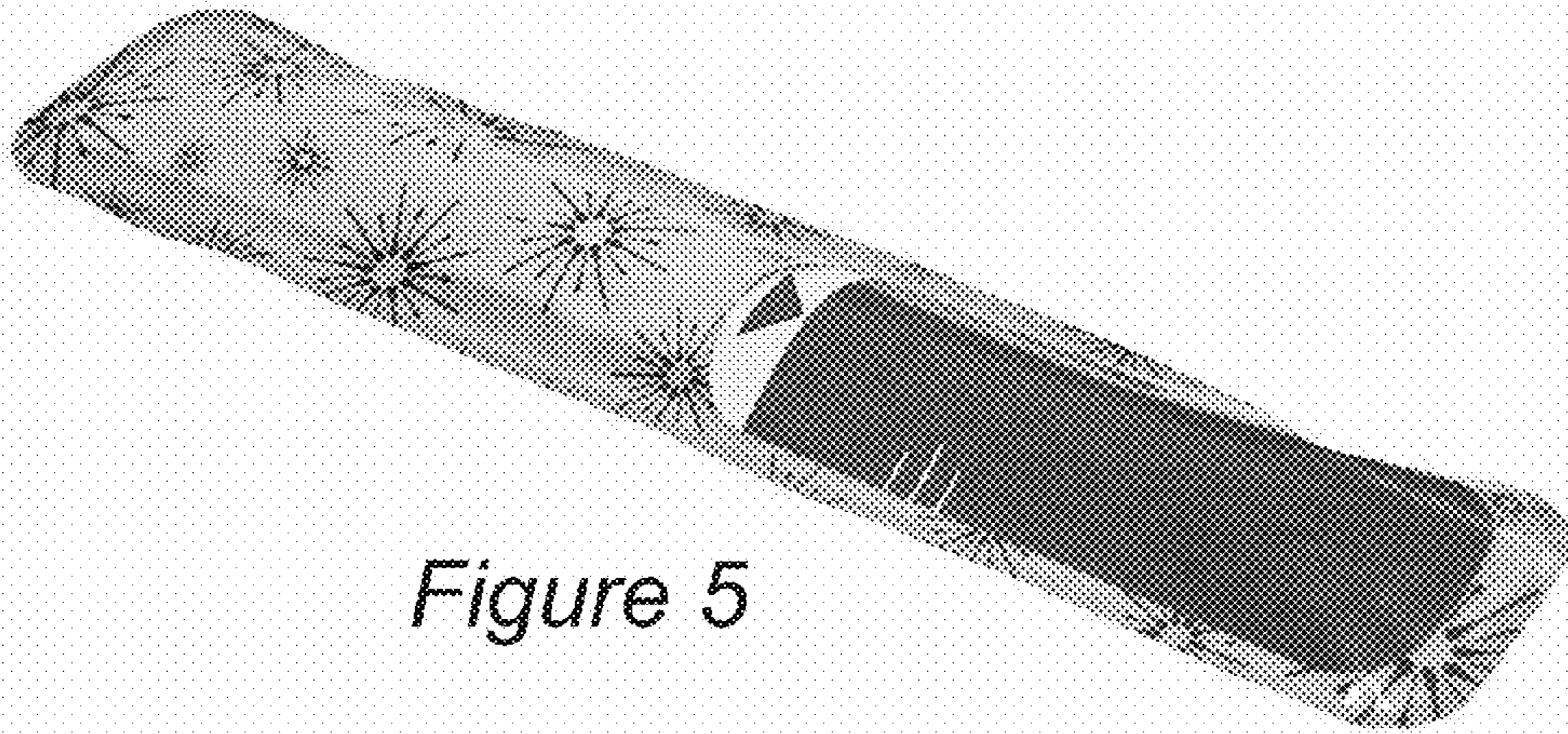
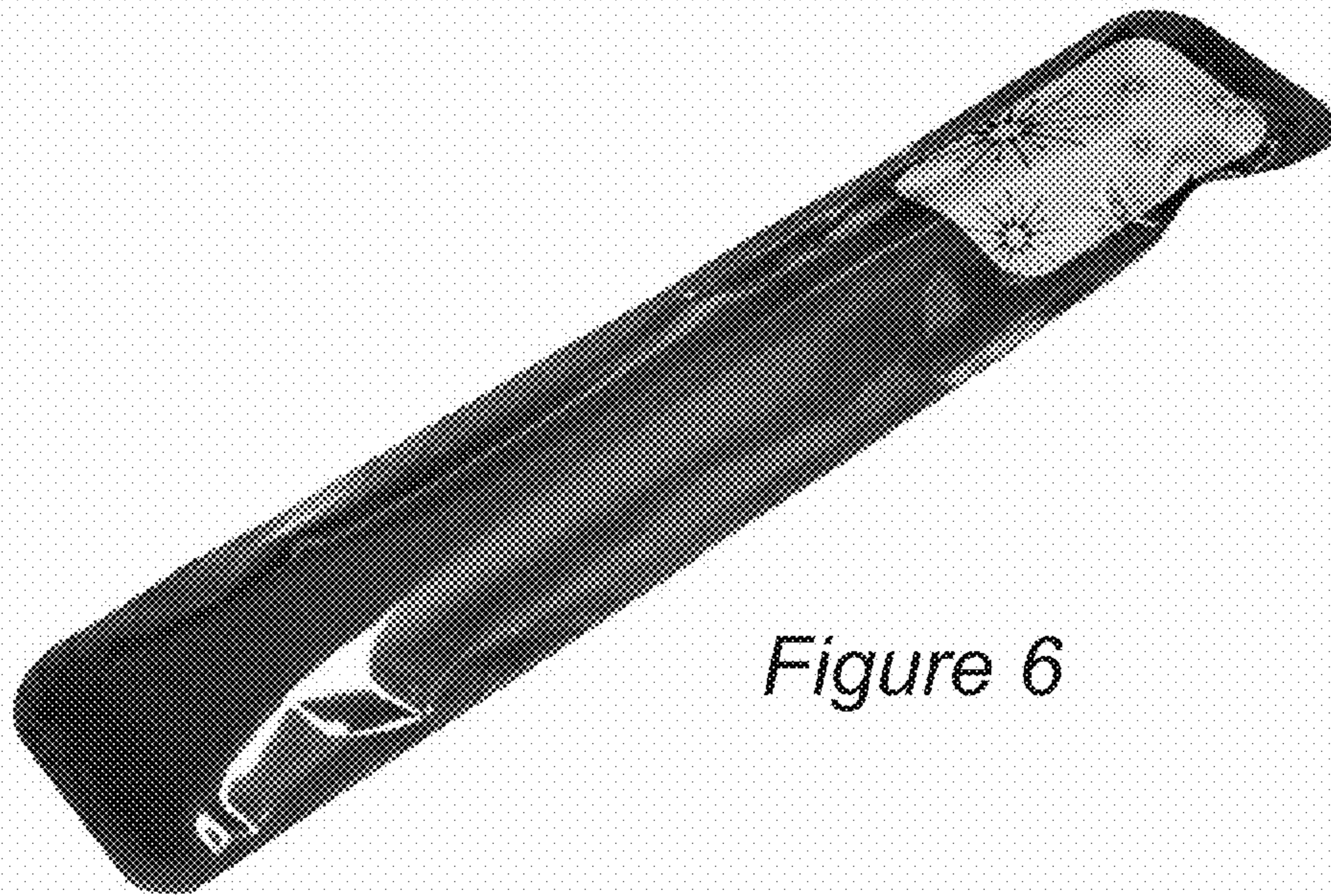


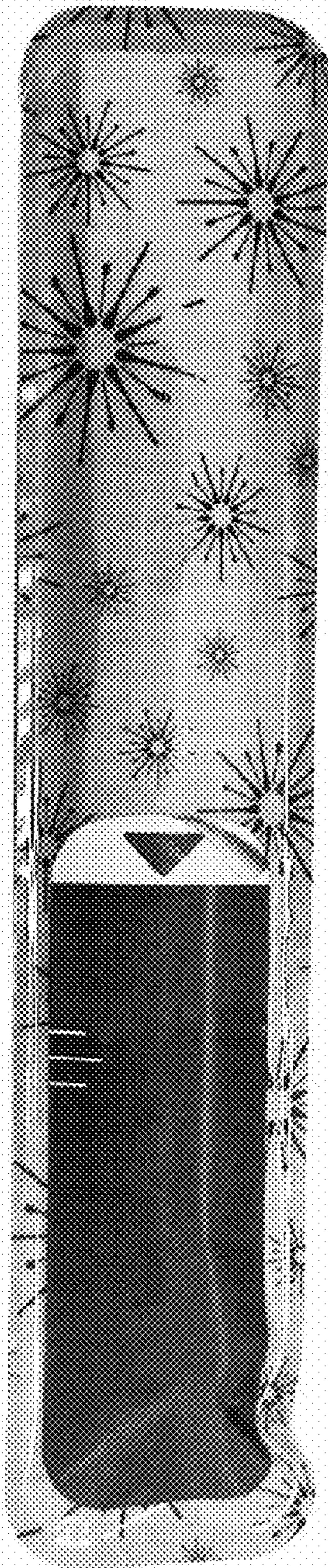
Figure 4



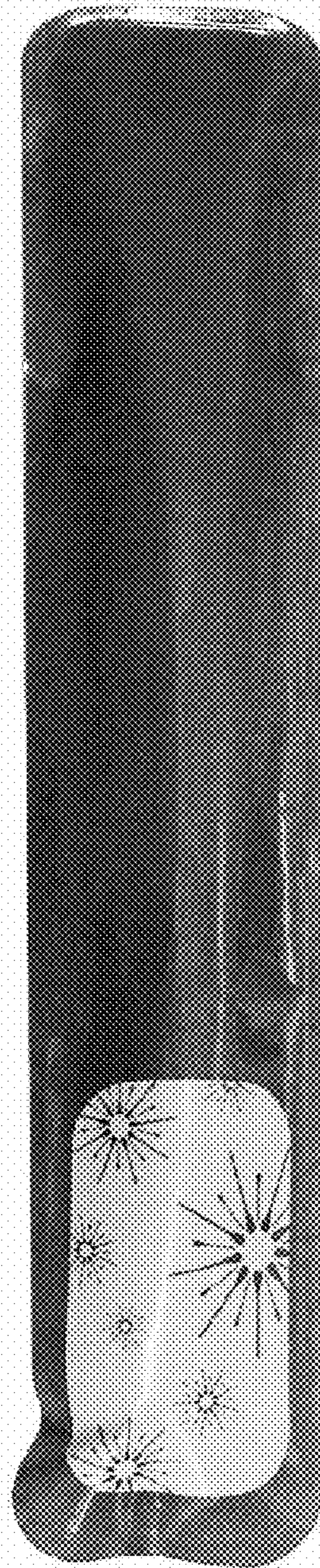
*Figure 5*



*Figure 6*



*Figure 7*



*Figure 8*