



US00D623532S

(12) **United States Design Patent**  
**Kuzma et al.**

(10) **Patent No.:** **US D623,532 S**

(45) **Date of Patent:** **\*\* \*Sep. 14, 2010**

(54) **BOTTLE**

(75) Inventors: **Gene J. Kuzma**, Powell, OH (US);  
**Tristan O. Herstol**, Columbus, OH (US)

(73) Assignee: **Bath & Body Works Brand Management, Inc.**, Reynoldsburg, OH (US)

(\*) Notice: This patent is subject to a terminal disclaimer.

(\*\*) Term: **14 Years**

(21) Appl. No.: **29/343,667**

(22) Filed: **Sep. 17, 2009**

(51) **LOC (9) Cl.** ..... **09-01**

(52) **U.S. Cl.** ..... **D9/552; D9/573; D9/574**

(58) **Field of Classification Search** ..... D9/516,  
D9/521–522, 529–530, 541–544, 549, 552,  
D9/563, 565, 571–575; 215/382–384; 220/660,  
220/662, 669, 675

See application file for complete search history.

(56) **References Cited**

**U.S. PATENT DOCUMENTS**

D21,382 S	3/1892	Hannold
D28,182 S	1/1898	Whitall
D37,819 S	2/1906	Bradley
882,864 A	3/1908	Burke
D52,472 S	9/1918	Corey
D94,189 S	1/1935	Cassedy
D97,176 S	10/1935	Clevenger
D97,178 S	10/1935	Clevenger
D101,919 S	11/1936	Leach
D104,546 S	5/1937	Topping
D106,370 S	10/1937	Pancoast
D106,628 S	10/1937	Leach, Jr.
D143,421 S	1/1946	Gasner
D176,226 S	11/1955	Morris
D189,460 S	12/1960	Richter
D192,535 S	4/1962	Laudano
D193,311 S	7/1962	Buckley

D195,230 S	5/1963	Dubbs
D196,990 S	11/1963	Dubbs
D198,405 S	6/1964	Recknagel
D198,407 S	6/1964	Busch
D201,997 S	8/1965	Luedtke
D204,707 S	5/1966	Abbott
3,342,379 A	9/1967	Foley
D209,097 S	10/1967	Stehl
D211,509 S	6/1968	Vanderhyde
D213,355 S	2/1969	Kneapler
D213,421 S	3/1969	Leary
D214,554 S	7/1969	Oltman et al.
D217,439 S	5/1970	Platte
D219,366 S	12/1970	Lewis, Jr. et al.
D222,530 S	11/1971	Luedtke
D225,834 S	1/1973	Kneapler

(Continued)

*Primary Examiner*—Carol Rademaker

(74) *Attorney, Agent, or Firm*—Colucci & Umans Notaro, Michalos & Zaccaria P.C.

(57) **CLAIM**

We claim the ornamental design for a bottle, as shown and described.

**DESCRIPTION**

FIG. 1 is a top, front, and left side perspective view of a bottle showing our new design;

FIG. 2 is a top, front, and right side perspective view thereof;

FIG. 3 is a front elevational view thereof;

FIG. 4 is a back elevational view thereof;

FIG. 5 is a left side elevational view thereof;

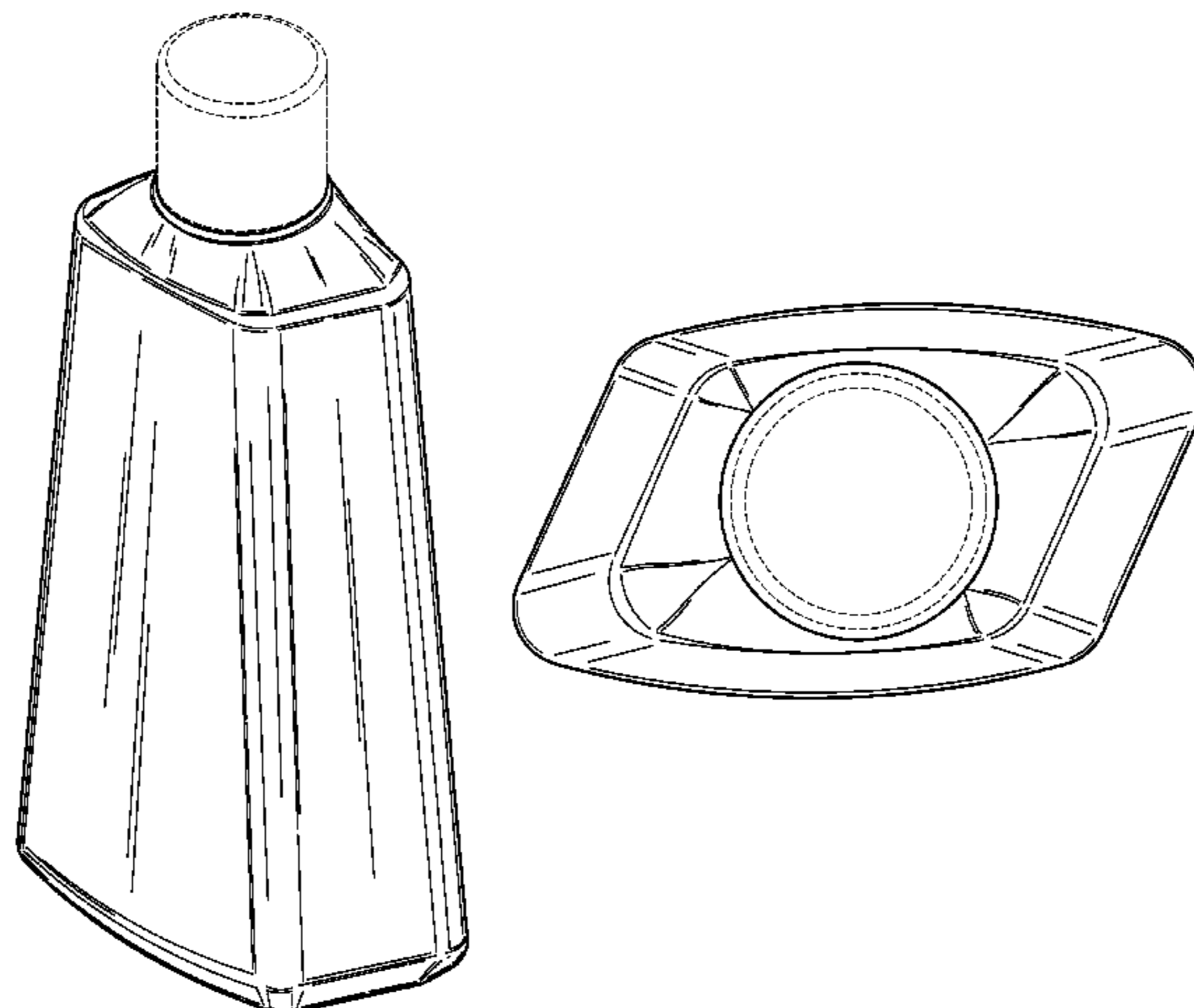
FIG. 6 is a right side elevational view thereof;

FIG. 7 is a top plan view thereof, shown in an enlarged condition; and,

FIG. 8 is a bottom plan view thereof.

The broken lines shown in the drawings are included for the purpose of showing environmental structure that forms no part of the claimed design.

**1 Claim, 5 Drawing Sheets**



# US D623,532 S

Page 2

U.S. PATENT DOCUMENTS					
D227,344 S	6/1973	Lerner	D419,889 S	2/2000	Kuzma et al.
D234,077 S *	1/1975	Peterson ..... D9/544	D420,772 S *	2/2000	Gabriel et al. .... D30/132
D234,682 S	4/1975	Quintal	D422,506 S	4/2000	Cummings
3,874,562 A	4/1975	Hazard	D422,509 S *	4/2000	Luzzi et al. .... D9/575
D238,555 S	1/1976	Blank	D423,370 S *	4/2000	Lewin ..... D9/516 X
D246,953 S	1/1978	Britt	D424,448 S	5/2000	Weber
D247,221 S	2/1978	Landor et al.	D425,408 S	5/2000	Bakic
D248,088 S	6/1978	Britt	D425,429 S	5/2000	Weber
D259,542 S	6/1981	Shortino	D425,794 S *	5/2000	Grossnickle ..... D9/574 X
D261,107 S	10/1981	Harris	D427,073 S	6/2000	Gaffney
D263,281 S	3/1982	Smith	D428,343 S	7/2000	Waitzenegger
D266,990 S	11/1982	Cook	D428,578 S *	7/2000	Waitzenegger ..... D9/573 X
D268,647 S	4/1983	Kingsford	D429,649 S	8/2000	Kotyuk
D273,564 S	4/1984	Spielhoff	D432,920 S	10/2000	Johnson et al.
D279,455 S *	7/1985	Fleming ..... D9/574	D433,637 S	11/2000	Hailey et al.
D281,863 S	12/1985	Beechuk et al.	D433,947 S	11/2000	Ewing, Jr.
D283,398 S *	4/1986	Van Dine ..... D9/573	D437,559 S	2/2001	Fenton et al.
D288,905 S	3/1987	Platte, Sr.	D437,775 S	2/2001	Dalmau
D306,695 S	3/1990	Smith	D438,118 S	2/2001	Dalmau
D308,337 S	6/1990	Weckman	D439,518 S	3/2001	Gavin
D310,329 S	9/1990	Schmidt	D439,843 S	4/2001	Dalmau
D312,779 S	12/1990	Taconelli	D441,293 S	5/2001	Togasawa
D317,259 S	6/1991	Schmidt	D444,389 S	7/2001	Bakic
D321,131 S	10/1991	Wiseman et al.	D444,390 S	7/2001	Kokenge et al.
D322,937 S	1/1992	Dinand	D446,459 S	8/2001	Weber
D324,820 S	3/1992	Hayman et al.	D447,694 S	9/2001	Leggett
D324,998 S	3/1992	Klapwald	D448,678 S	10/2001	Bakic
D336,246 S	6/1993	Narvaez	D448,999 S	10/2001	Weber
D346,964 S	5/1994	Green	D450,597 S	11/2001	Bobchenok et al.
D347,388 S *	5/1994	Crawford ..... D9/529	6,321,923 B1	11/2001	Wood
D347,389 S	5/1994	Crawford	D452,157 S	12/2001	White et al.
D347,794 S *	6/1994	Lewis ..... D9/575 X	D452,446 S	12/2001	Shear
D349,857 S	8/1994	Lonzak et al.	D455,648 S	4/2002	Cummings
D352,462 S	11/1994	Rupert	D455,655 S	4/2002	Bunce
D353,775 S	12/1994	Thompson	D457,069 S	5/2002	Palaia
5,392,937 A	2/1995	Prevot et al.	D458,149 S	6/2002	Cummings
D356,038 S	3/1995	Biesecker	D458,847 S	6/2002	Kuzma et al.
D357,418 S	4/1995	Lonzak et al.	D459,212 S	6/2002	Gobe
D360,831 S	8/1995	Boisset	D459,659 S	7/2002	Chung
D368,859 S	4/1996	LoPreto	D468,214 S	1/2003	Kuzma et al.
D369,980 S	5/1996	Dinand	D468,643 S	1/2003	Kuzma et al.
D372,870 S *	8/1996	Westerhout ..... D9/516	D468,644 S	1/2003	Kuzma et al.
D372,873 S	8/1996	Lathrop	D469,022 S	1/2003	Kuzma et al.
5,542,585 A	8/1996	Peters et al.	D470,772 S	2/2003	Egger
D373,536 S	9/1996	Kokenge et al.	D471,111 S	3/2003	Weaver et al.
D375,051 S	10/1996	Lathrop et al.	D471,461 S	3/2003	McGowan
D376,310 S	12/1996	Crawford	D472,154 S	3/2003	Peon et al.
5,598,941 A	2/1997	Semersky et al.	D475,298 S	6/2003	Corrigan et al.
D378,665 S	4/1997	Fenton et al.	D480,001 S *	9/2003	Bakic ..... D9/522
D381,895 S	8/1997	Cheng	D480,002 S	9/2003	Canepa
D382,209 S	8/1997	Fenton et al.	D481,950 S	11/2003	Bakic
D386,090 S	11/1997	de Giovellina	D482,793 S *	11/2003	Oyama et al. .... D9/575 X
D392,895 S	3/1998	Kuzma et al.	D486,065 S	2/2004	Hutchinson et al.
D392,897 S	3/1998	Biesecker et al.	D489,267 S	5/2004	Rennie et al.
D393,202 S	4/1998	Bertolini et al.	D496,283 S	9/2004	Busa, Jr.
D393,596 S	4/1998	Kotyuk	D497,312 S	10/2004	Anderson et al.
D396,191 S	7/1998	Kuzma et al.	D498,144 S *	11/2004	Illenberger et al. .... D9/549
D397,608 S	9/1998	Fiore	D498,670 S	11/2004	Cummings et al.
D398,239 S	9/1998	Bertolini et al.	D500,954 S	1/2005	Kuzma et al.
D398,244 S	9/1998	Bertolini et al.	D501,141 S	1/2005	Bakic
D398,853 S	9/1998	Phillips	D502,400 S	3/2005	Cinquino et al.
5,816,451 A	10/1998	Renault	D505,079 S	5/2005	Mulder et al.
D403,592 S	1/1999	Everard et al.	D509,148 S	9/2005	Wilson et al.
D408,740 S	4/1999	Jones et al.	D510,030 S	9/2005	Storz et al.
D409,092 S	5/1999	Beasley	D513,993 S	1/2006	Boyd
D411,804 S	7/1999	Zaragoza	D514,448 S	2/2006	Kuzma et al.
D412,851 S	8/1999	Nosella	D521,386 S	5/2006	Priestman
D413,807 S	9/1999	Mikla	D522,867 S	6/2006	Bakic
5,954,213 A	9/1999	Gerhart et al.	D524,657 S	7/2006	Harris et al.
D415,037 S *	10/1999	Pritchard et al. .... D9/571	D525,872 S	8/2006	Haubert et al.
D417,624 S	12/1999	Hermann et al.	D525,873 S	8/2006	Haubert et al.
			D526,200 S	8/2006	Bakic
			D526,204 S	8/2006	Stolle

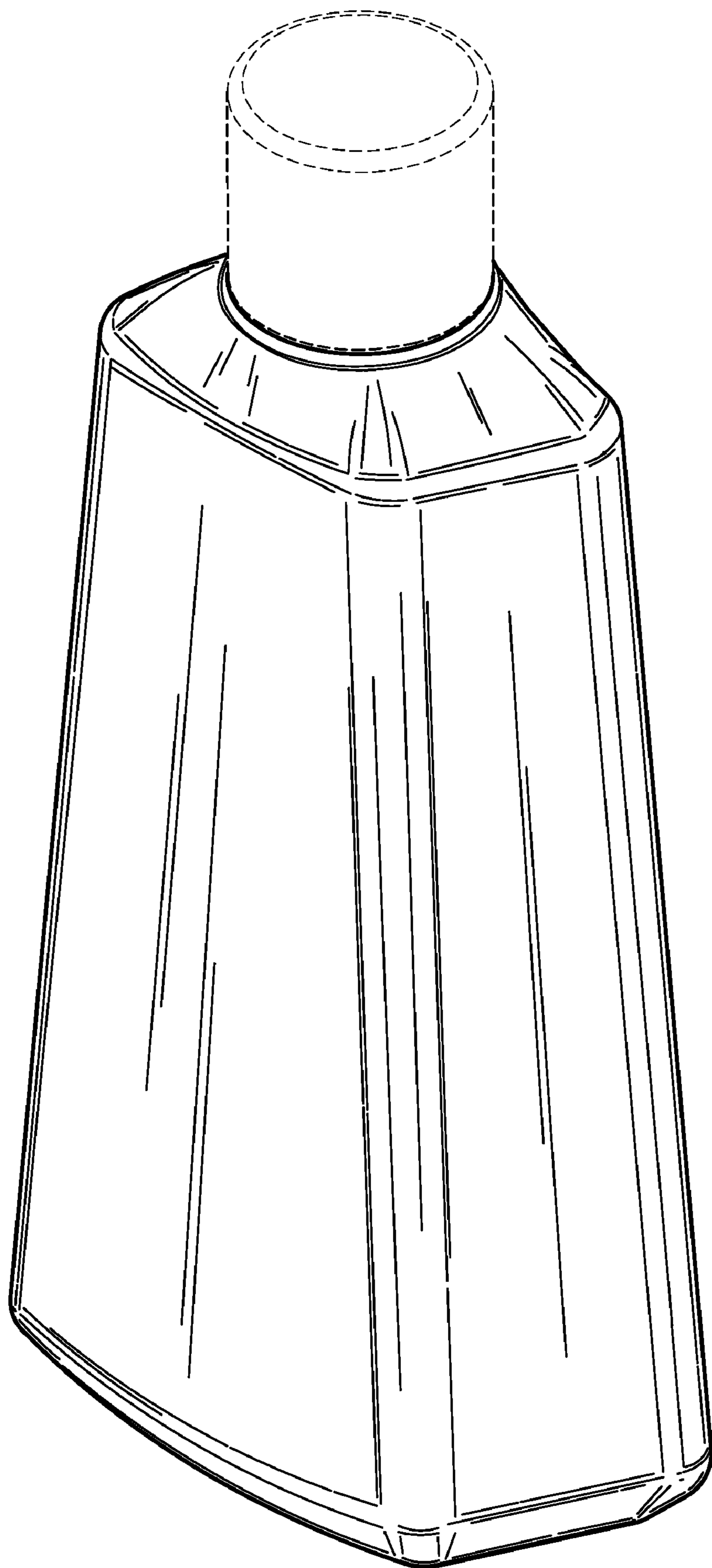
# US D623,532 S

Page 3

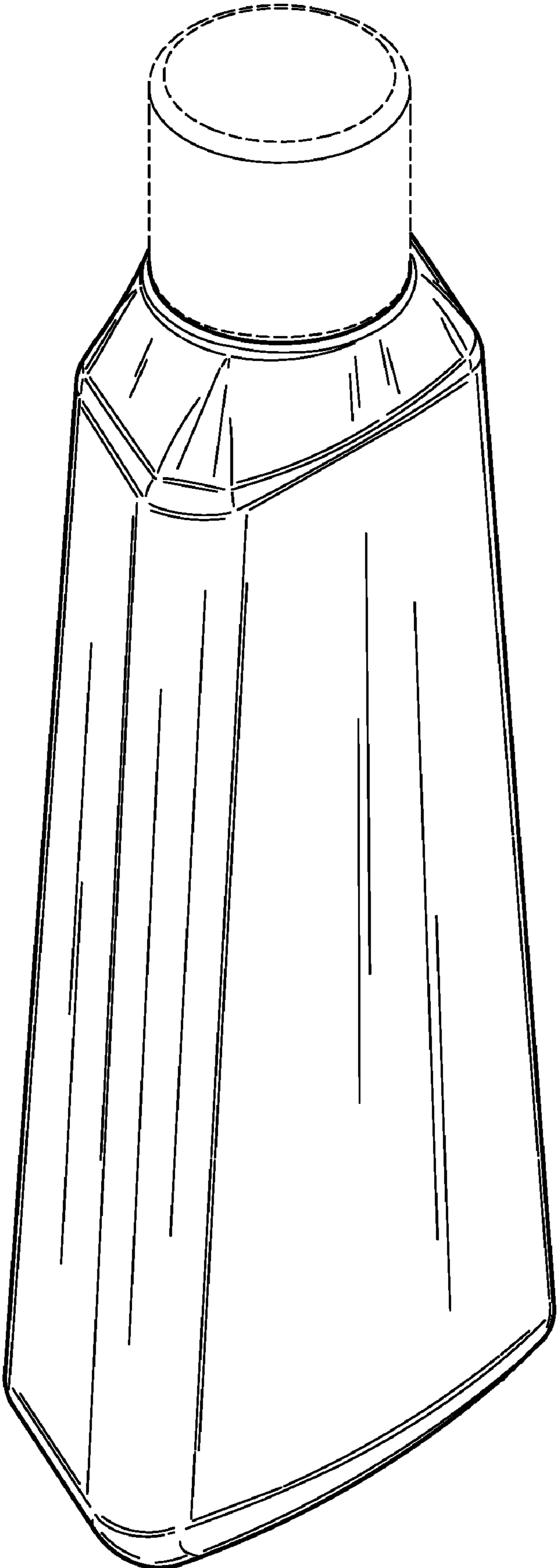
---

D527,636 S	9/2006	Bakic	D562,139 S	2/2008	Crabtree et al.	
D529,388 S	10/2006	Bakic	D562,140 S	2/2008	Crabtree et al.	
D529,810 S	10/2006	Davies et al.	D563,793 S	3/2008	Nomoto	
D535,887 S	1/2007	Haubert, III et al.	D567,664 S	4/2008	Rica	
D535,888 S	1/2007	Kuzma et al.	D569,730 S	5/2008	Crabtree et al.	
D535,891 S	1/2007	Varlet	D578,395 S *	10/2008	Kuzma et al. ....	D9/522
D538,678 S	3/2007	Cummings et al.	D578,406 S	10/2008	Kuzma et al.	
D540,185 S	4/2007	Cummings et al.	D581,276 S	11/2008	Kuzma et al.	
D541,162 S	4/2007	Pleines et al.	D585,750 S	2/2009	Kuzma et al.	
D542,661 S	5/2007	Adler et al.	D607,744 S *	1/2010	Laird et al. ....	D9/573
D547,190 S	7/2007	Kuzma et al.	D608,213 S *	1/2010	Kuzma et al. ....	D9/573
D551,555 S	9/2007	Escobosa et al.	D611,831 S *	3/2010	Cummings et al. ....	D9/574 X
D553,001 S	10/2007	Granitz	D613,178 S *	4/2010	Kuzma et al. ....	D9/569
D556,056 S	11/2007	Thomas et al.	D615,411 S *	5/2010	Kuzma et al. ....	D9/522
D558,575 S	1/2008	Van Der Krogt et al.	D616,305 S *	5/2010	Kuzma et al. ....	D9/522
D558,580 S	1/2008	Kuzma et al.	D617,646 S *	6/2010	Kuzma et al. ....	D9/522
D559,114 S	1/2008	Breitlander				

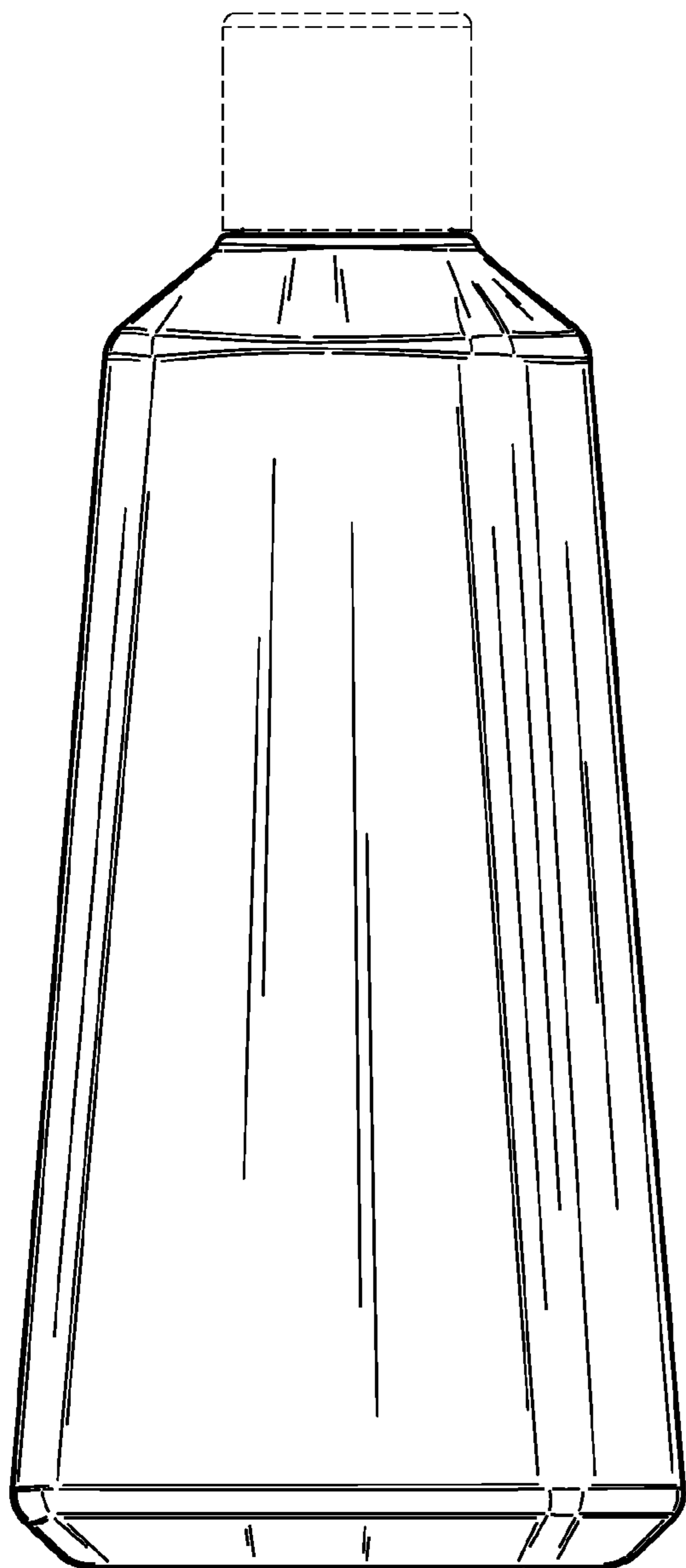
\* cited by examiner



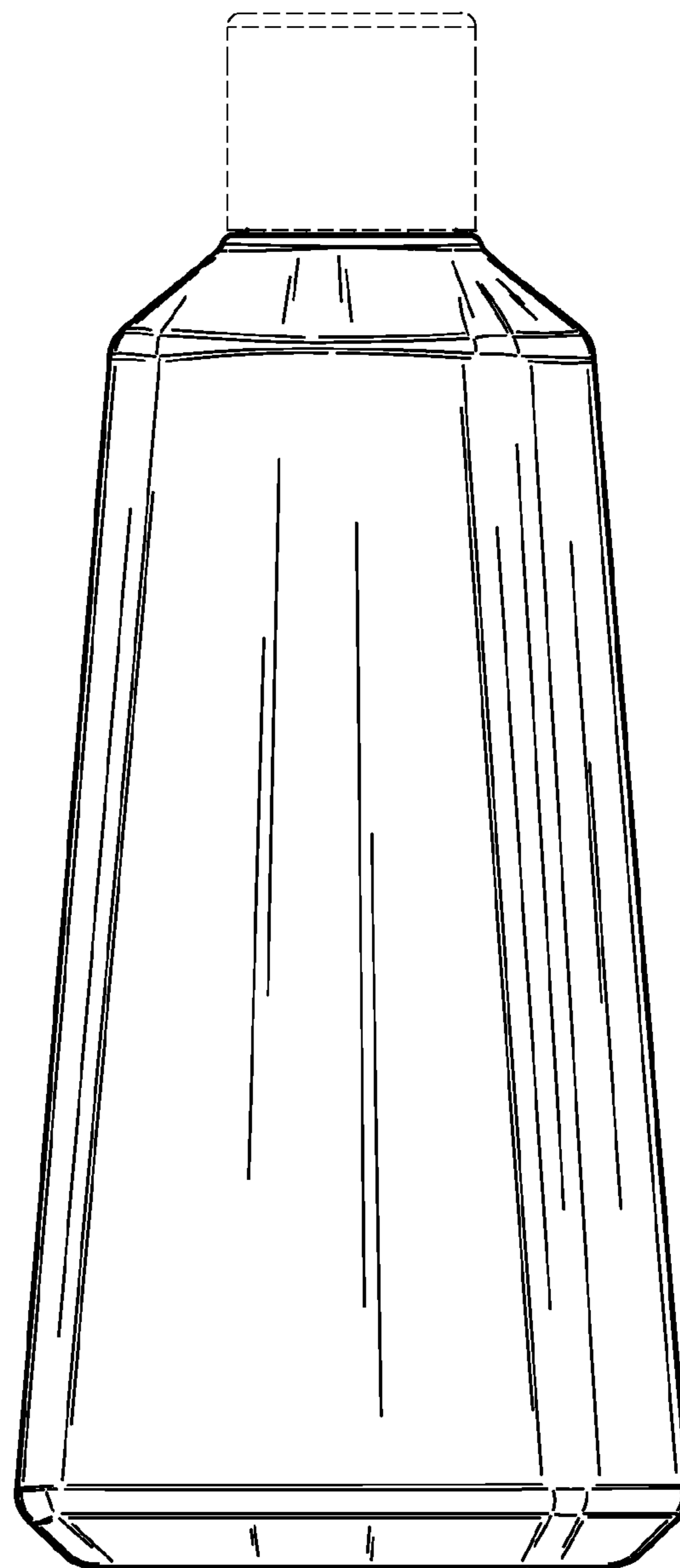
*Fig. 1*



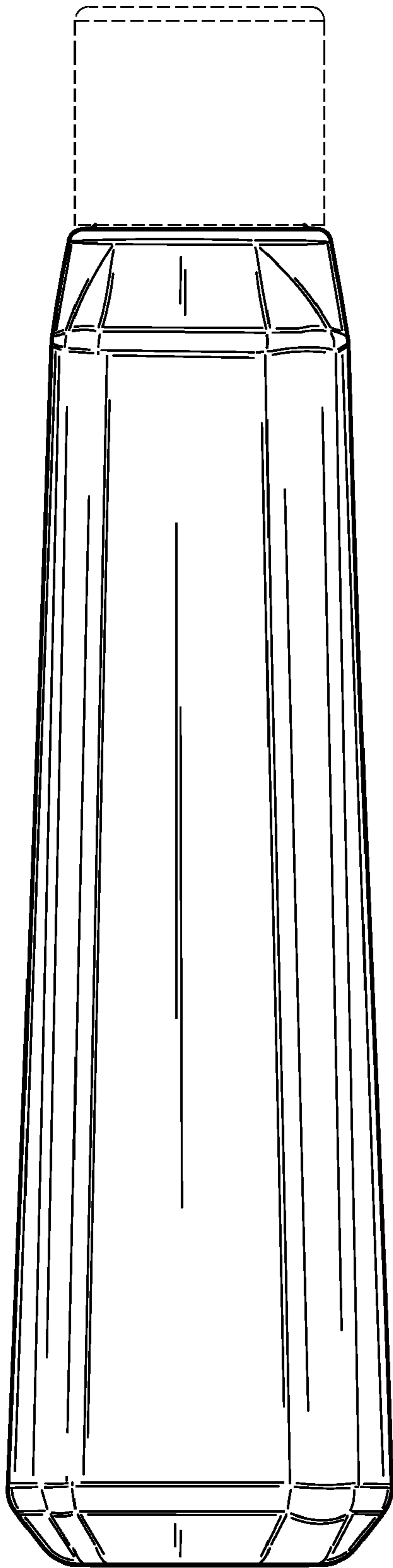
*Fig. 2*



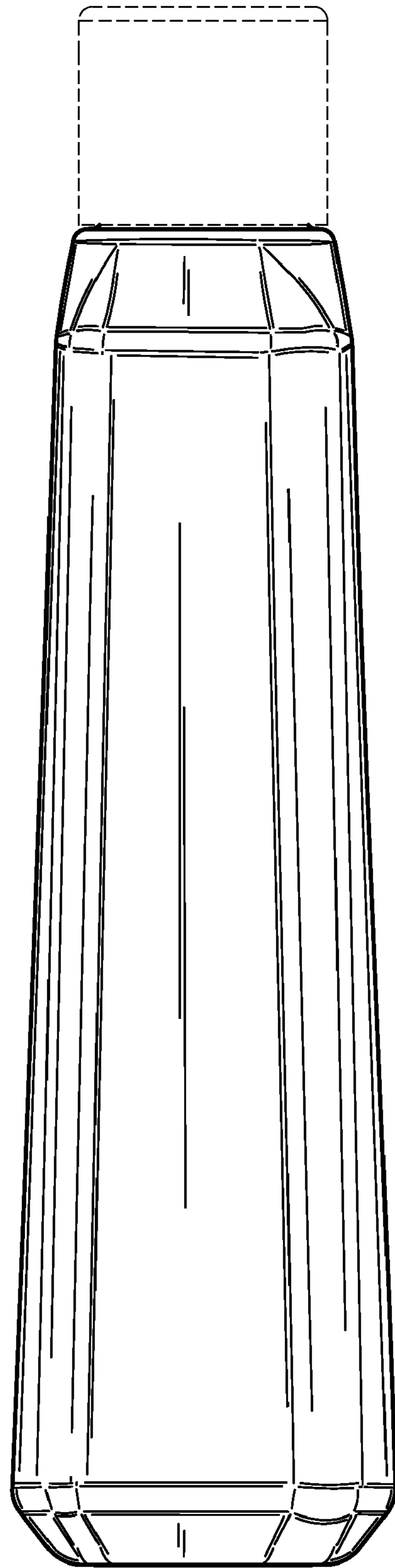
*Fig. 3*



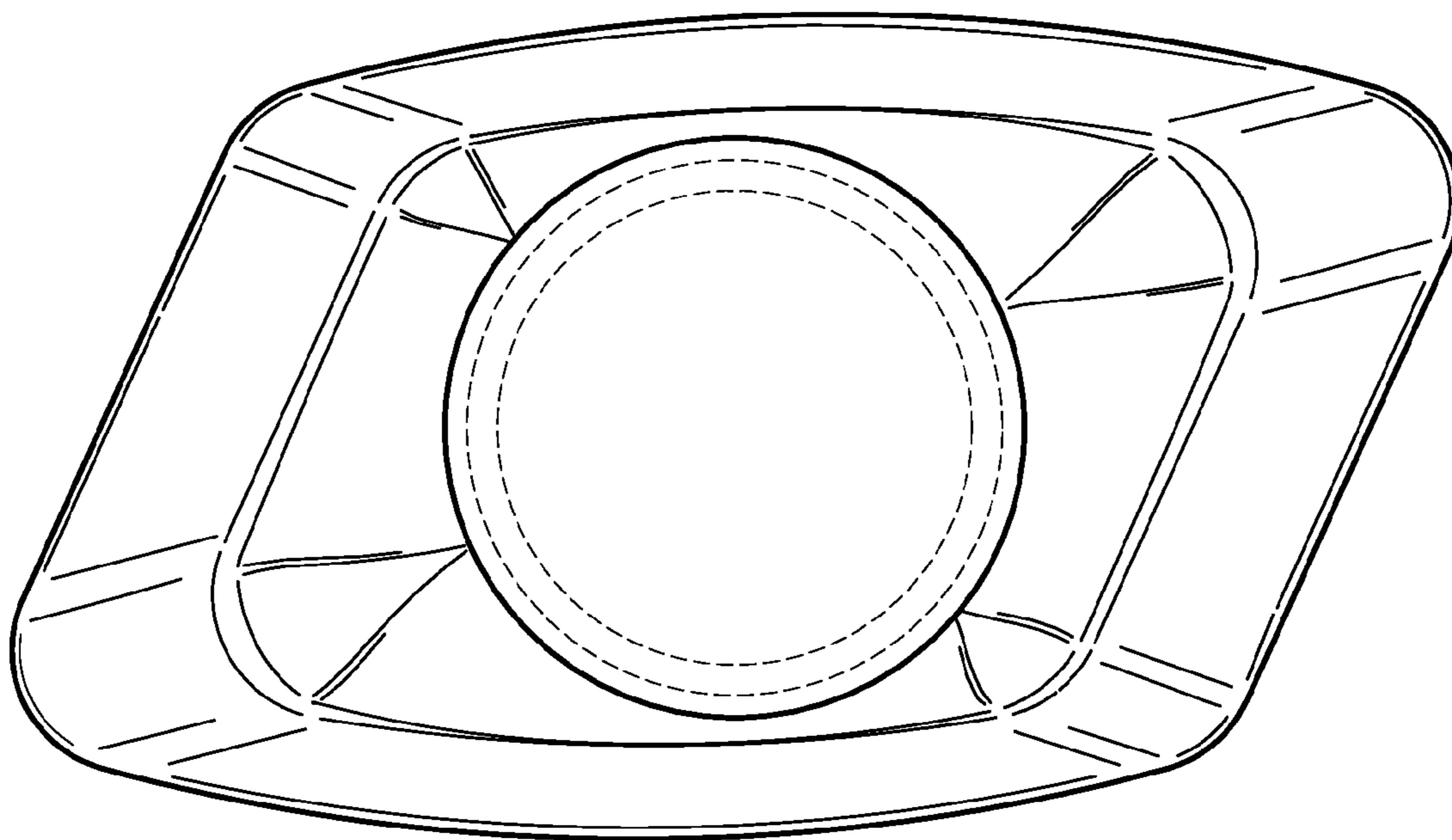
*Fig. 4*



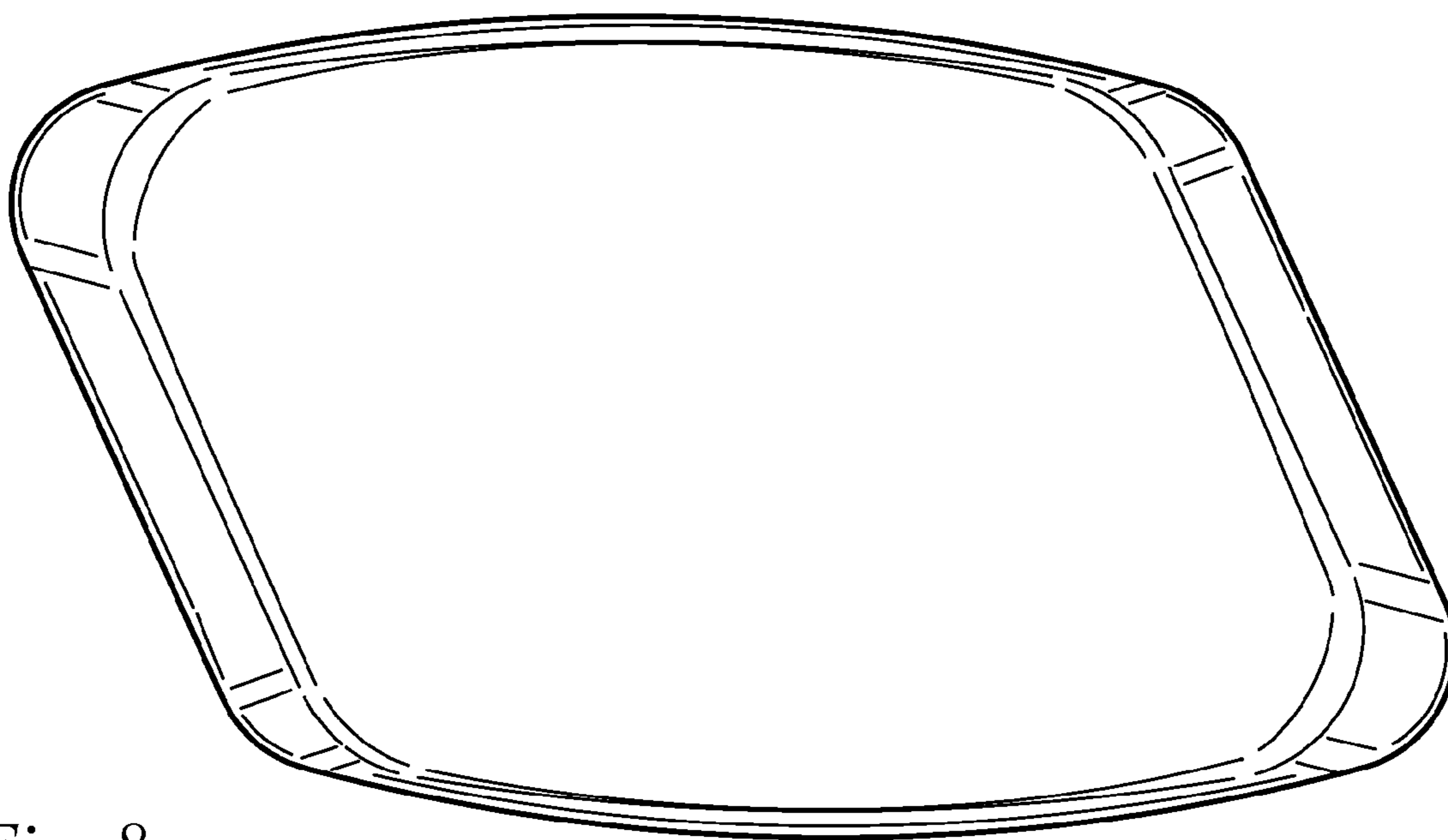
*Fig. 5*



*Fig. 6*



*Fig. 7*



*Fig. 8*