



US00D623527S

(12) **United States Design Patent**  
**Wykoff**

(10) **Patent No.:** **US D623,527 S**

(45) **Date of Patent:** **\*\* Sep. 14, 2010**

(54) **BOTTLE**

D614,961 S \* 5/2010 Thomas et al. .... D9/529  
D615,412 S \* 5/2010 Thomas et al. .... D9/529

(75) Inventor: **Chizuru (Tomioka) Wykoff, Kobe (JP)**

**OTHER PUBLICATIONS**

(73) Assignee: **The Procter & Gamble Company,**  
Cincinnati, OH (US)

U.S. Appl. No. 29/272,958, filed Feb. 27, 2007, Douglas Scott Miller,  
et al.

(\*\*) Term: **14 Years**

U.S. Appl. No. 29/285,255, filed Mar. 26, 2007, Douglas Scott Miller,  
et al.

(21) Appl. No.: **29/301,556**

U.S. Appl. No. 29/285,913, filed Apr. 16, 2007, Douglas Scott Miller  
et al.

(22) Filed: **Mar. 6, 2008**

\* cited by examiner

(51) **LOC (9) Cl.** ..... **09-01**

*Primary Examiner*—Carol Rademaker

(52) **U.S. Cl.** ..... **D9/522; D9/565; D9/575**

(74) *Attorney, Agent, or Firm*—Linda M. Sivik; Angela M.  
Stone

(58) **Field of Classification Search** ..... D9/682,  
D9/686–687, 692–694, 516, 521–522, 529–530,  
D9/542–543, 549, 552, 565, 572–575; 215/382–384;  
220/660, 669, 675

(57) **CLAIM**

See application file for complete search history.

The ornamental design for bottle, as shown and described.

(56) **References Cited**

**DESCRIPTION**

**U.S. PATENT DOCUMENTS**

FIG. 1 is a perspective view of bottle, embodying our new  
design;

D417,624 S *	12/1999	Herrmann et al. ....	D9/575
D420,595 S *	2/2000	Herrmann .....	D9/529
D527,277 S *	8/2006	Blasko et al. ....	D9/693
D531,050 S *	10/2006	Brandt .....	D9/687
D531,906 S *	11/2006	Mongeon et al. ....	D9/522
D533,402 S *	12/2006	Bin .....	D7/510
D542,145 S *	5/2007	Campbell .....	D9/565
D543,119 S *	5/2007	McConville et al. ....	D9/729
D544,368 S *	6/2007	Blasko et al. ....	D9/693
D568,162 S *	5/2008	Mongeon et al. ....	D9/529
D575,166 S *	8/2008	Miller et al. ....	D9/693
D578,892 S *	10/2008	Bridgman et al. ....	D9/522
D586,655 S *	2/2009	Bridgman et al. ....	D9/522
D591,613 S	5/2009	Mason	
D601,425 S *	10/2009	Miller et al. ....	D9/522
D602,364 S *	10/2009	Mongeon et al. ....	D9/521
D604,164 S *	11/2009	Miller et al. ....	D9/521
D604,622 S *	11/2009	Bohache et al. ....	D9/530
D610,402 S *	2/2010	Carreno .....	D7/396.2

FIG. 2 is a front view thereof;

FIG. 3 is a back view thereof;

FIG. 4 is a left side view thereof;

FIG. 5 is a right side view thereof;

FIG. 6 is a top plan view thereof;

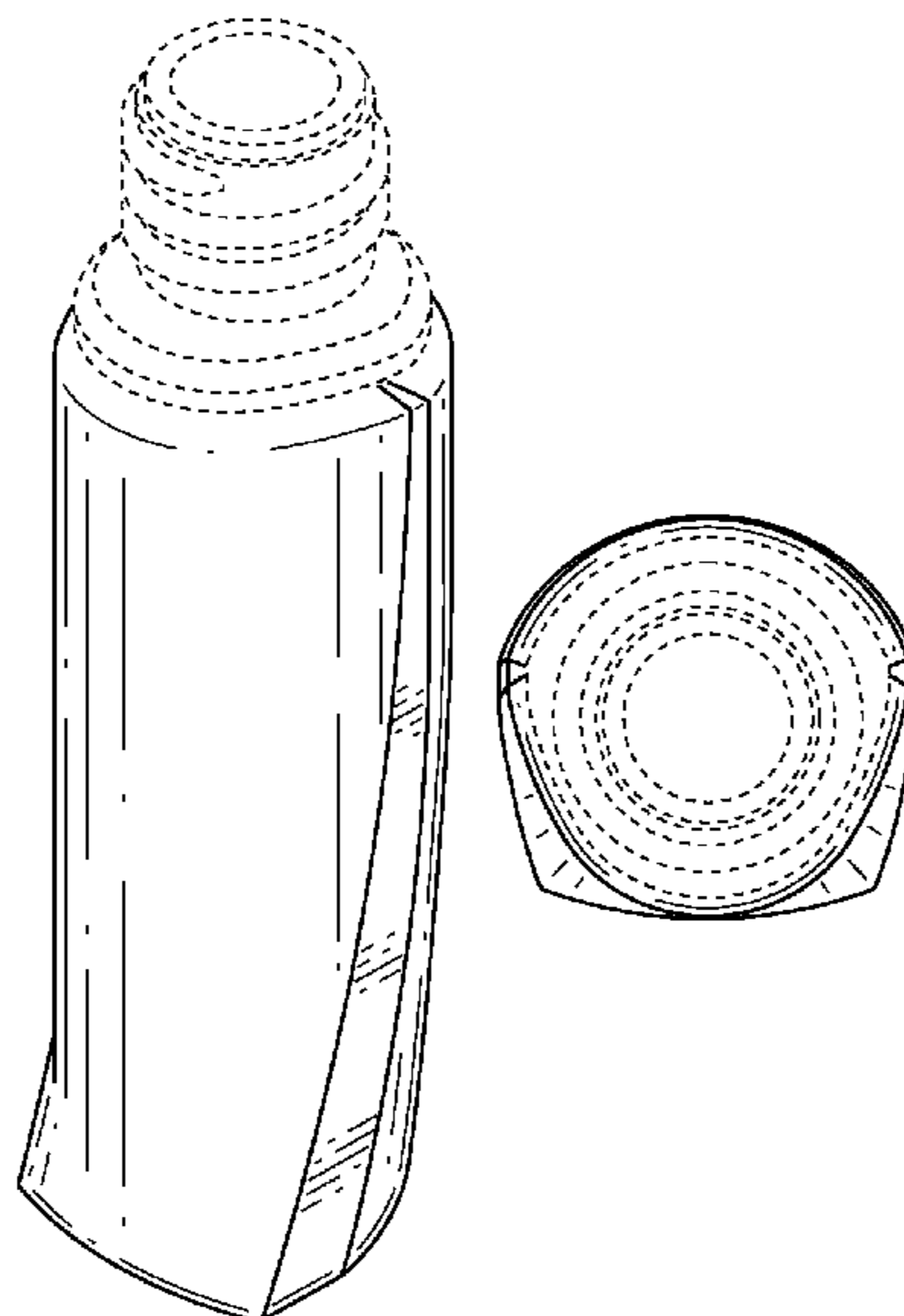
FIG. 7 is a bottom view thereof;

FIG. 8 is a cross sectional view thereof, taken at section line  
8—8 as shown in FIG. 2; and,

FIG. 9 is a cross sectional view thereof, taken at section line  
9—9 as shown in FIG. 2.

The broken line showing of a portion of the bottom is included  
for the purpose of illustrating environmental structure and  
forms no part of the claimed design.

**1 Claim, 4 Drawing Sheets**



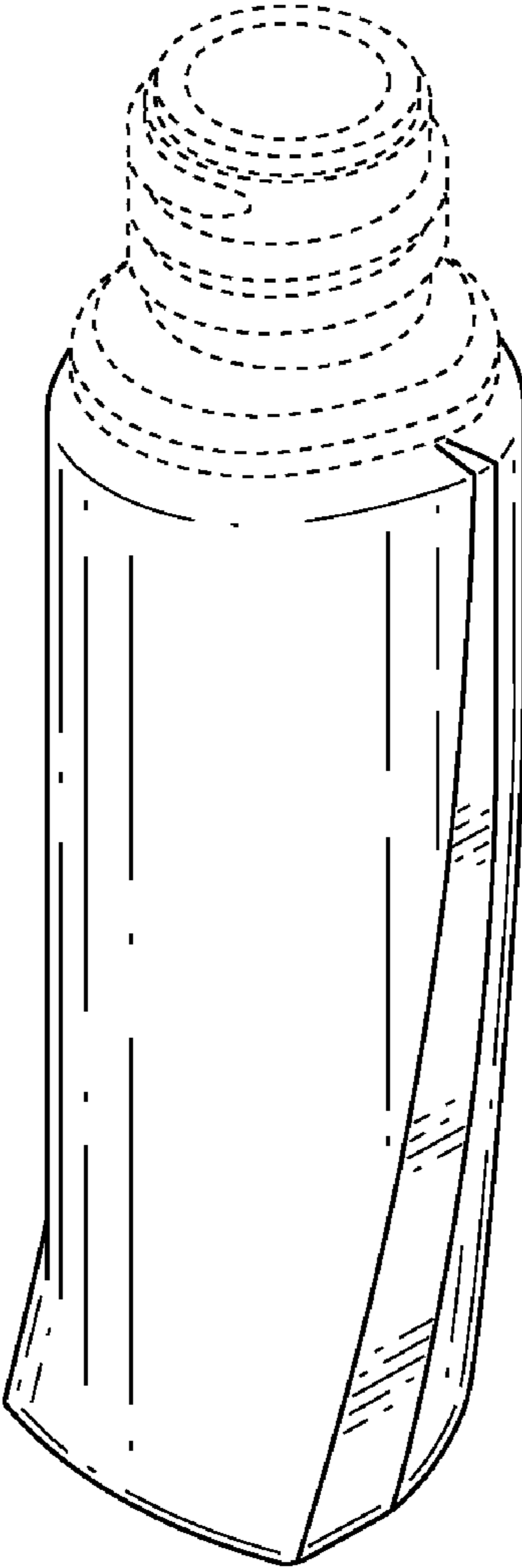


Fig. 1

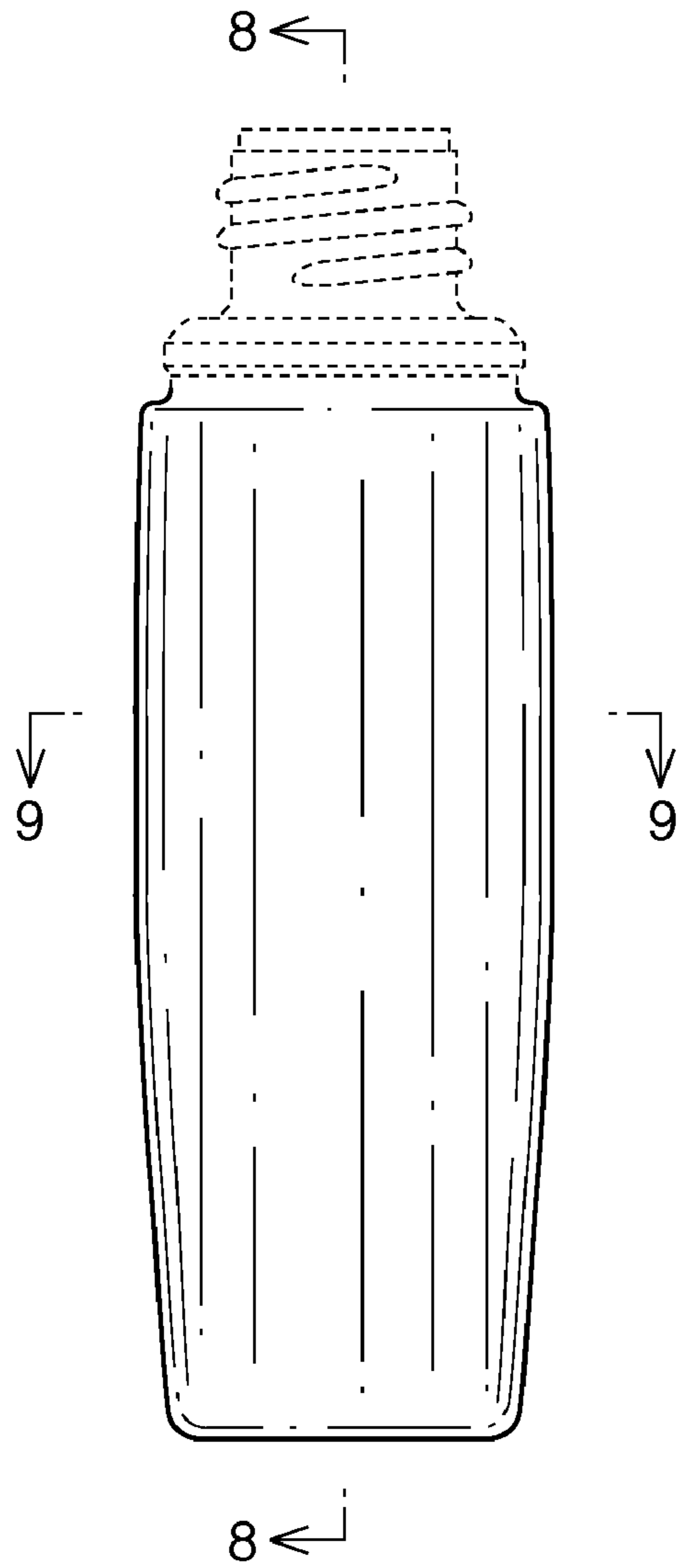


Fig. 2

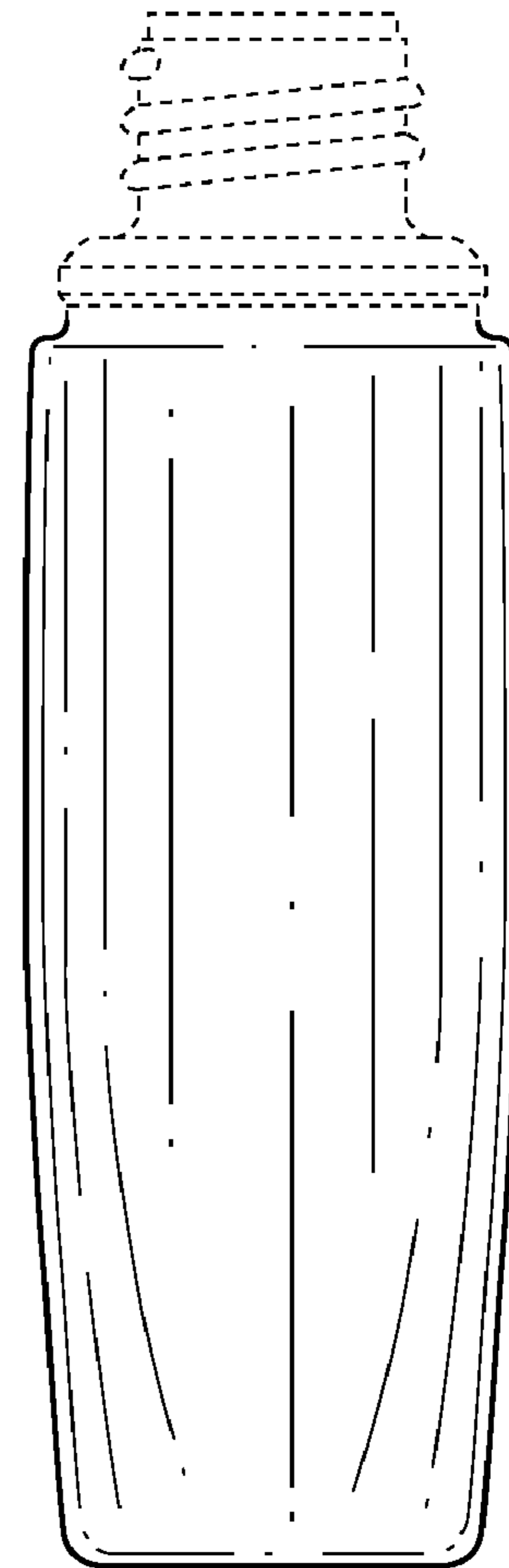


Fig. 3

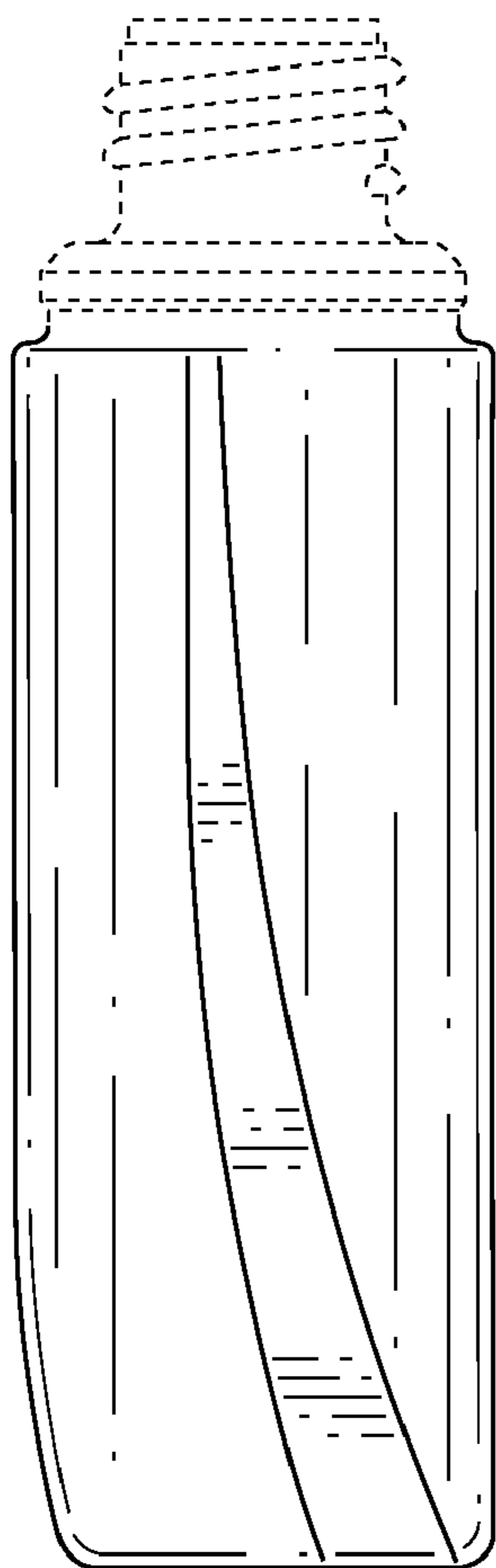


Fig. 4

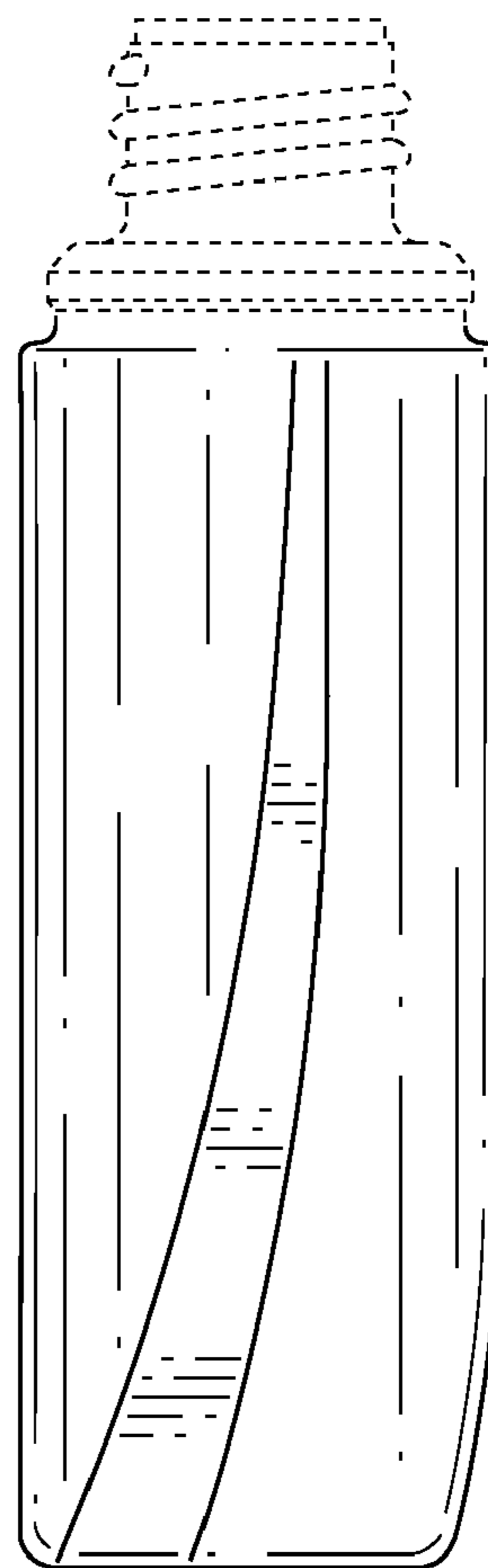


Fig. 5

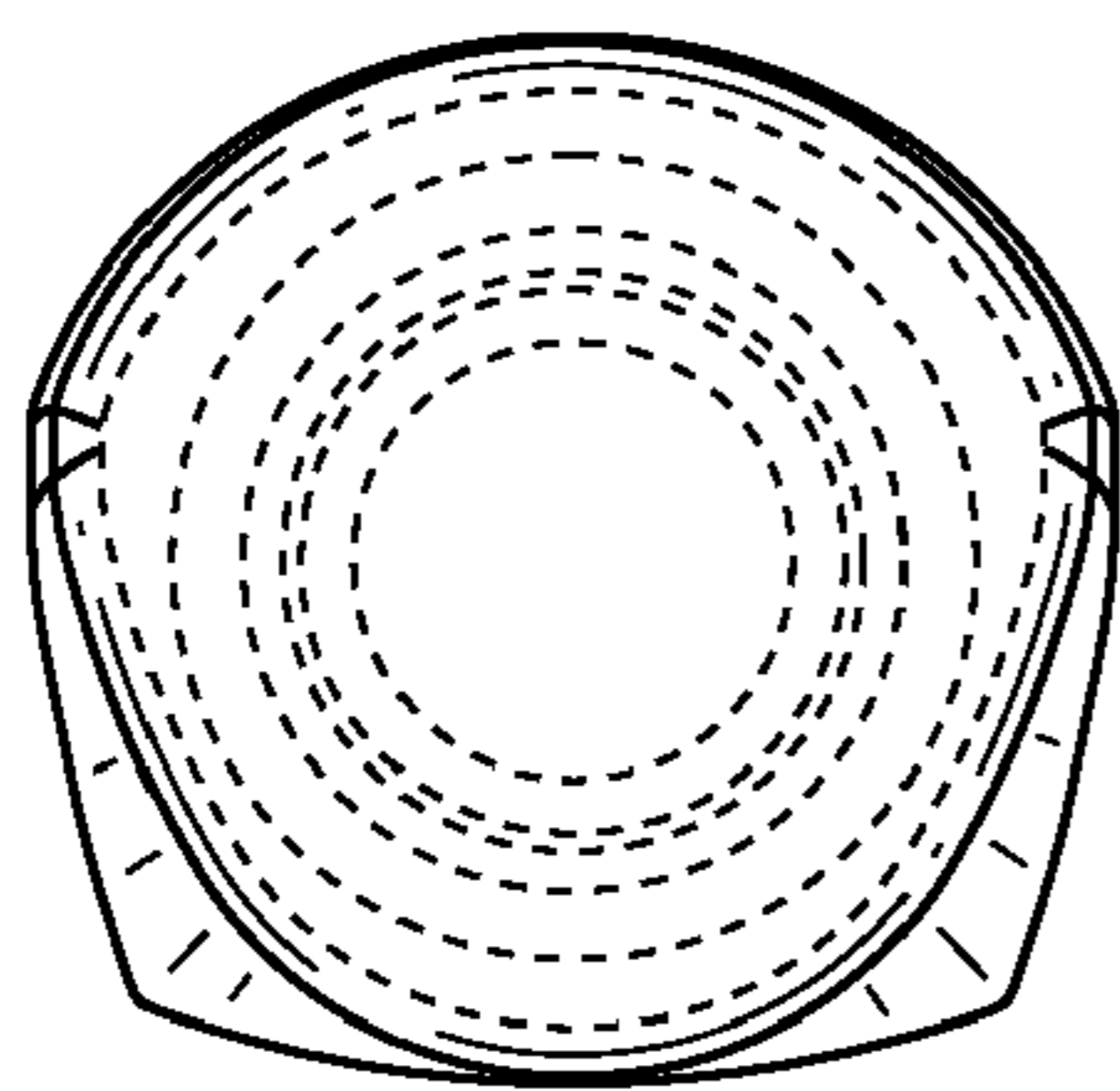


Fig. 6

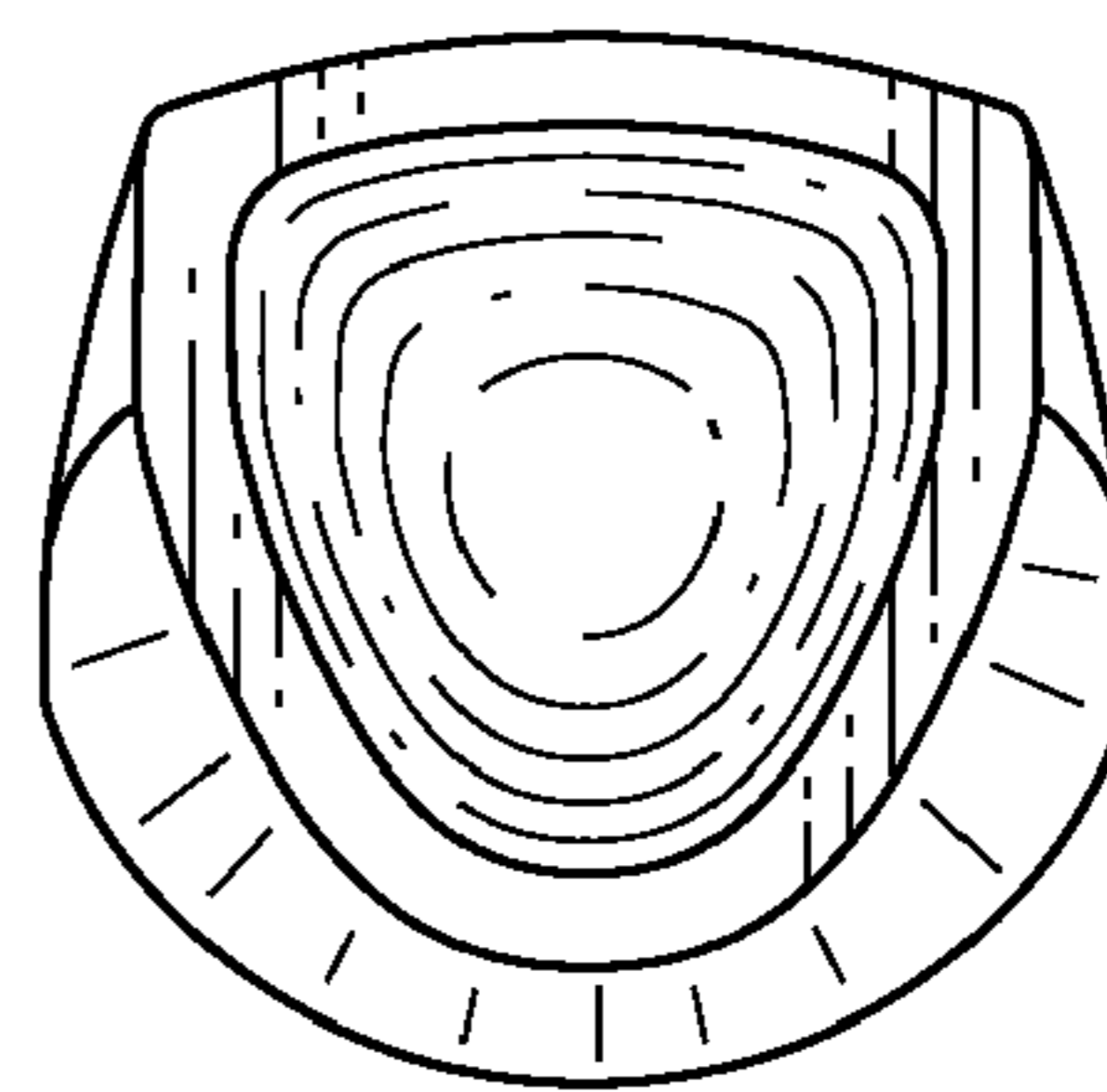


Fig. 7

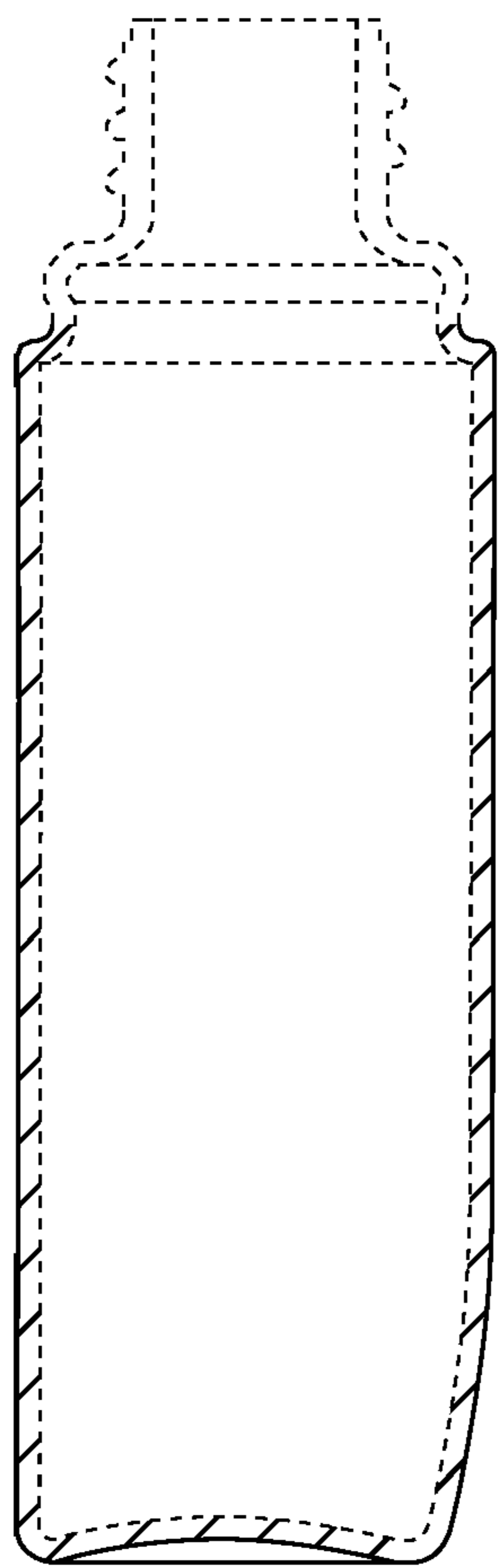


Fig. 8

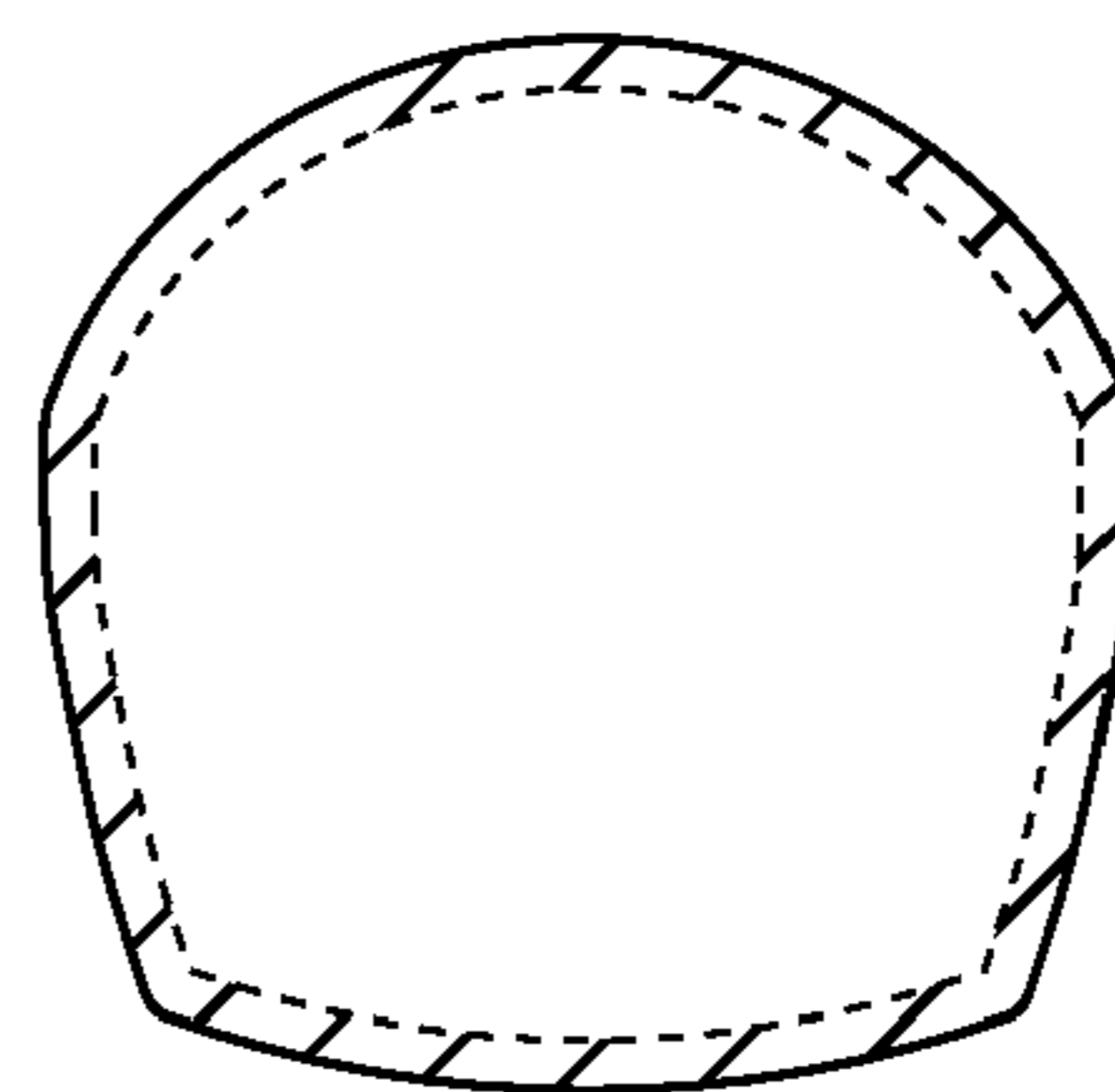


Fig. 9