



US00D623519S

(12) **United States Design Patent**
Richardson

(10) **Patent No.:** **US D623,519 S**

(45) **Date of Patent:** **** Sep. 14, 2010**

(54) **JAR VENTING DISC**

(75) Inventor: **Steven G. Richardson**, Albany, NY
(US)

(73) Assignee: **Stiefel Laboratories, Inc.**, Coral Gables,
FL (US)

(**) Term: **14 Years**

(21) Appl. No.: **29/353,046**

(22) Filed: **Dec. 31, 2009**

(51) **LOC (9) Cl.** **09-07**

(52) **U.S. Cl.** **D9/454**

(58) **Field of Classification Search** D9/529,
D9/521, 454, 452, 447, 445, 435, 530, 453,
D9/724, 448, 538, 438; 220/200, 806, 716,
220/258.2, 257.1; 215/200, 261, 260; 222/520,
222/521, 212

See application file for complete search history.

(56) **References Cited**

U.S. PATENT DOCUMENTS

2,281,649	A *	5/1942	Williams	215/321
5,452,818	A *	9/1995	Yost	220/258.2
5,579,936	A	12/1996	Costa et al.		
5,647,497	A *	7/1997	Labbe	220/257.2
5,730,306	A	3/1998	Costa et al.		
6,290,084	B1 *	9/2001	Louie	220/254.4
D448,669	S *	10/2001	Carducci et al.	D9/454
D495,600	S *	9/2004	Kouri	D9/435

* cited by examiner

Primary Examiner—Susan Bennett Hattan

(74) *Attorney, Agent, or Firm*—The Nath Law Group; Jerald L. Meyer; Jonathan A. Kidney

(57) **CLAIM**

The ornamental design for a jar venting disc, as shown and described.

DESCRIPTION

FIG. 1 is a perspective top view of one embodiment of a jar venting disc showing my new design;

FIG. 2 is a top plan view thereof;

FIG. 3 is a side elevation view thereof;

FIG. 4 is a side cross-sectional view thereof, taken in the direction of line 4—4 in FIG. 2;

FIG. 5 is a bottom plan view thereof;

FIG. 6 is a perspective bottom view thereof;

FIG. 7 is a perspective top view of another embodiment of a jar venting disc showing my new design;

FIG. 8 is a top plan view thereof;

FIG. 9 is a side elevation view thereof;

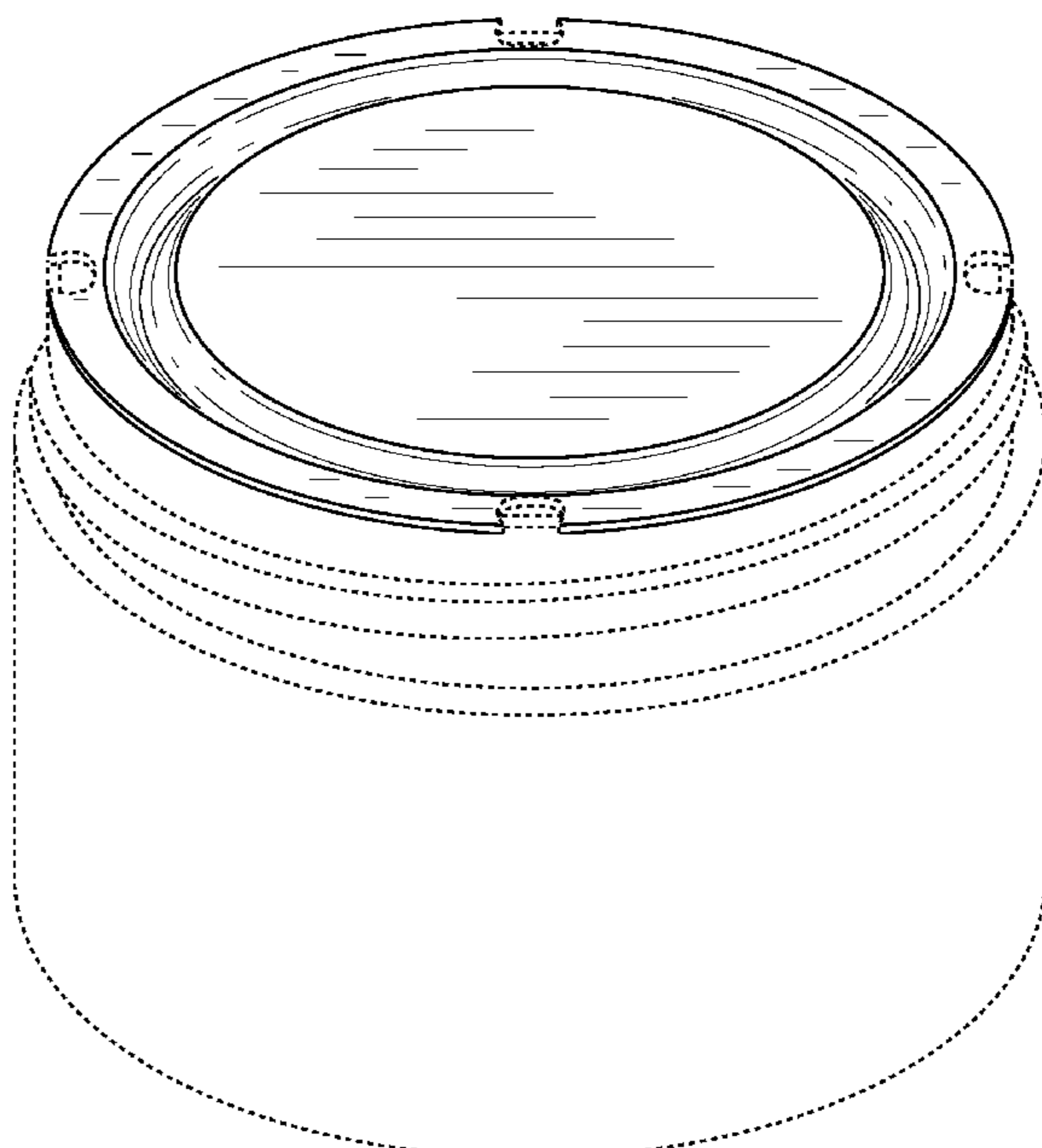
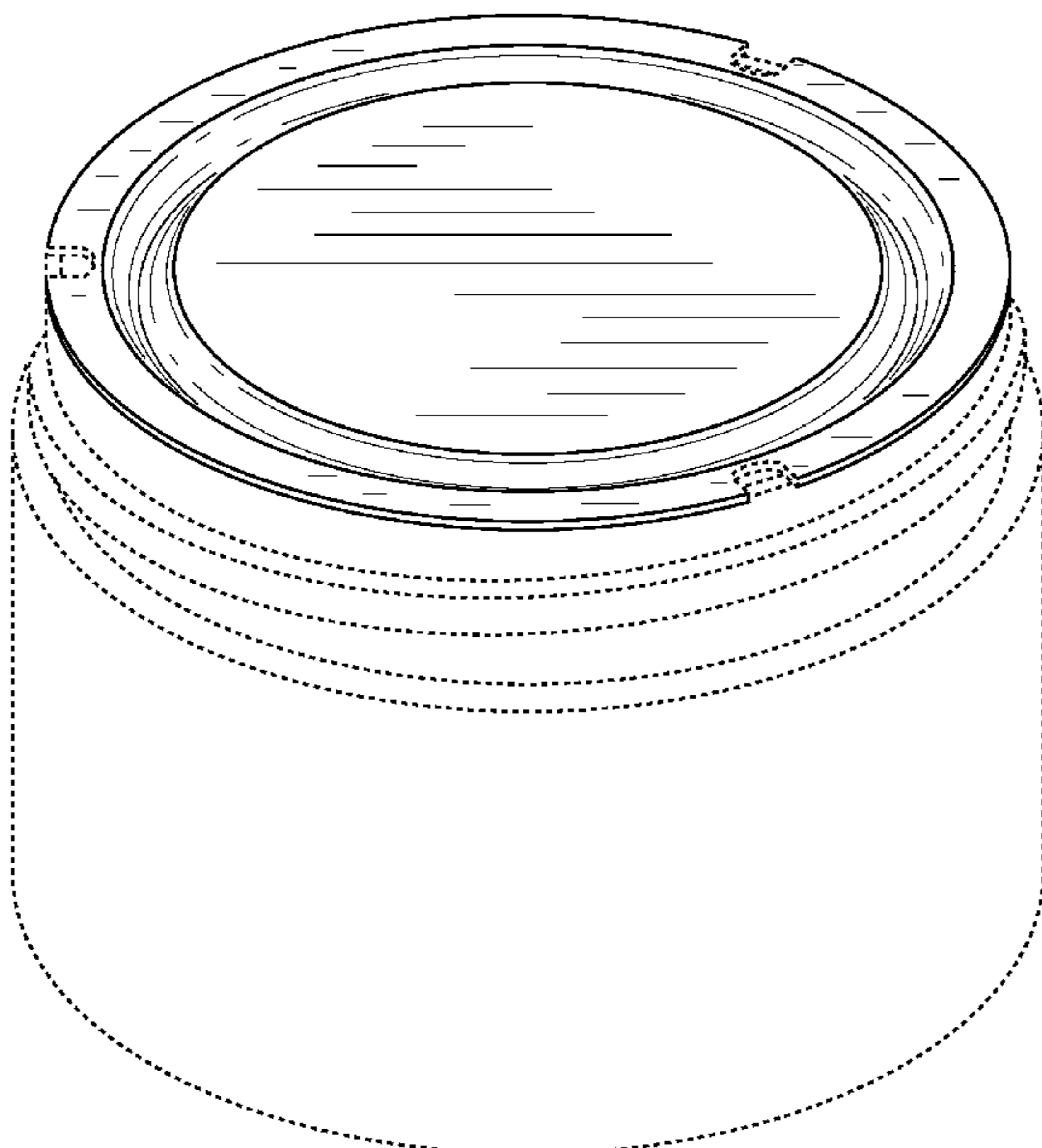
FIG. 10 is a side cross-sectional view thereof, taken in the direction of line 10—10 in FIG. 8;

FIG. 11 is a bottom plan view thereof; and,

FIG. 12 is a perspective bottom view thereof.

The broken lines in the drawings depict environmental subject matter only and form no part of the claimed design.

1 Claim, 10 Drawing Sheets



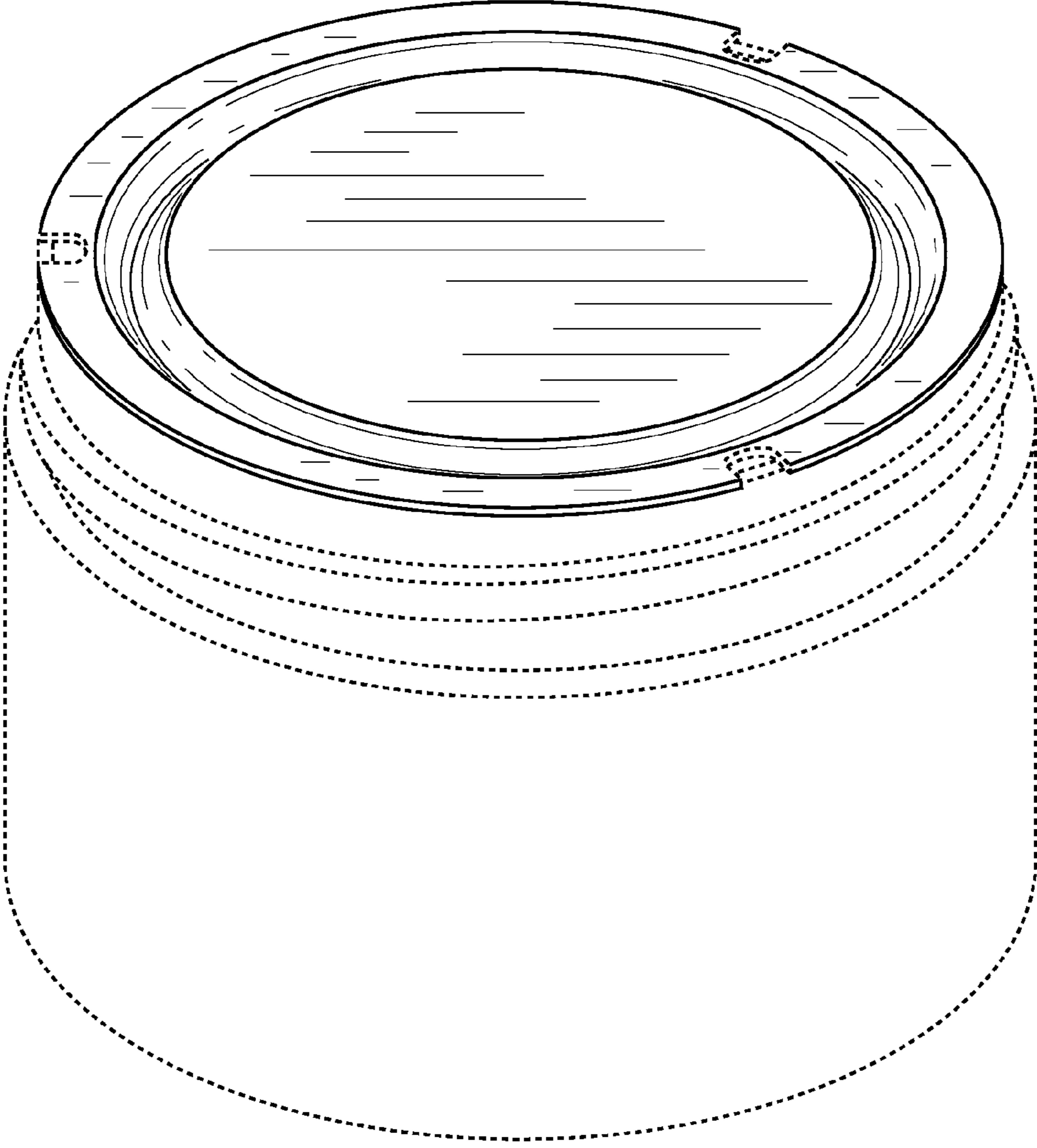


FIG. 1

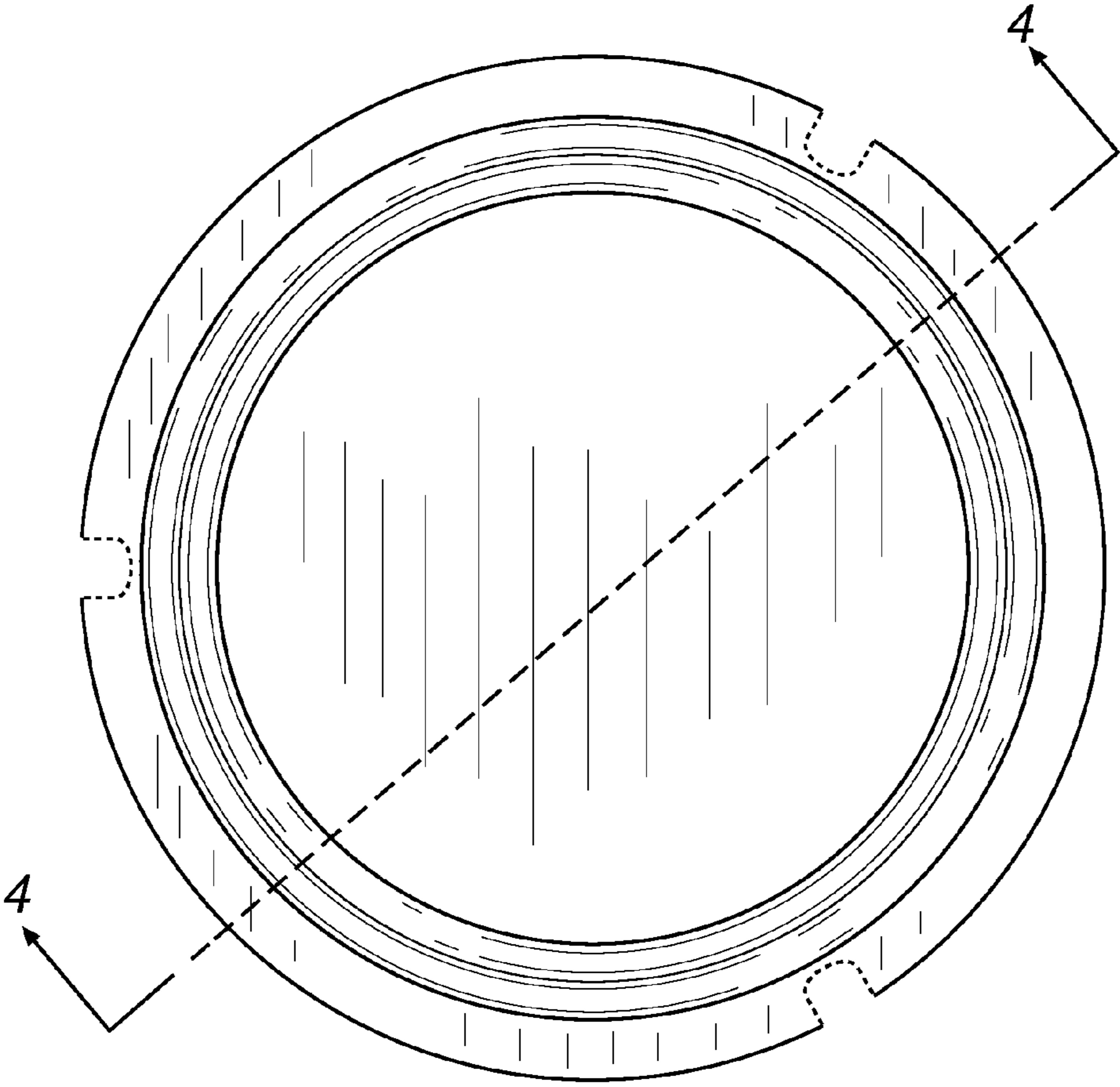


FIG. 2

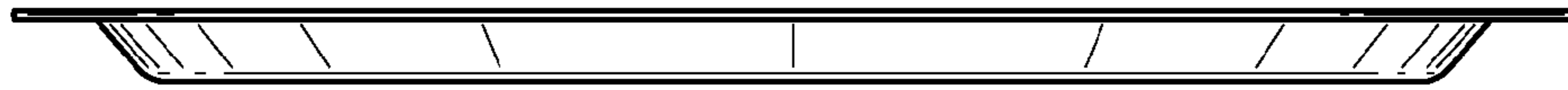


FIG. 3

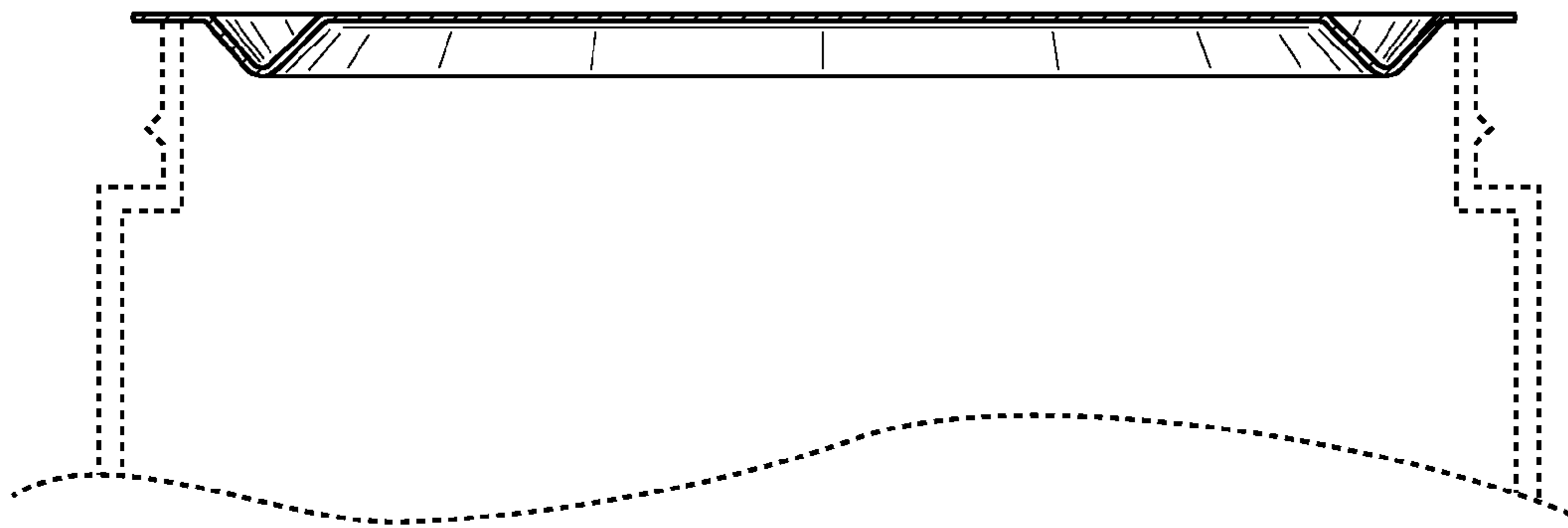


FIG. 4

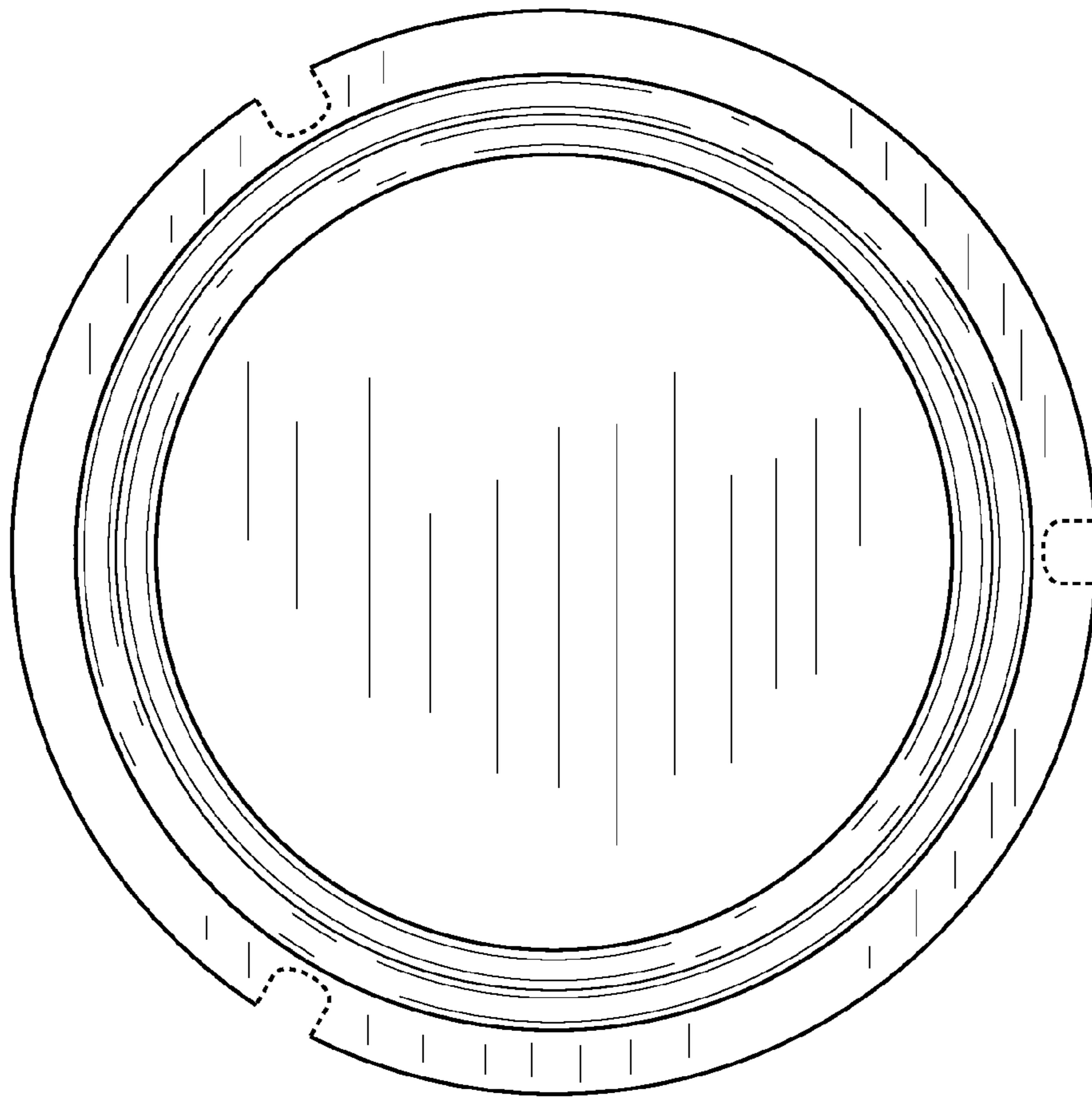


FIG. 5

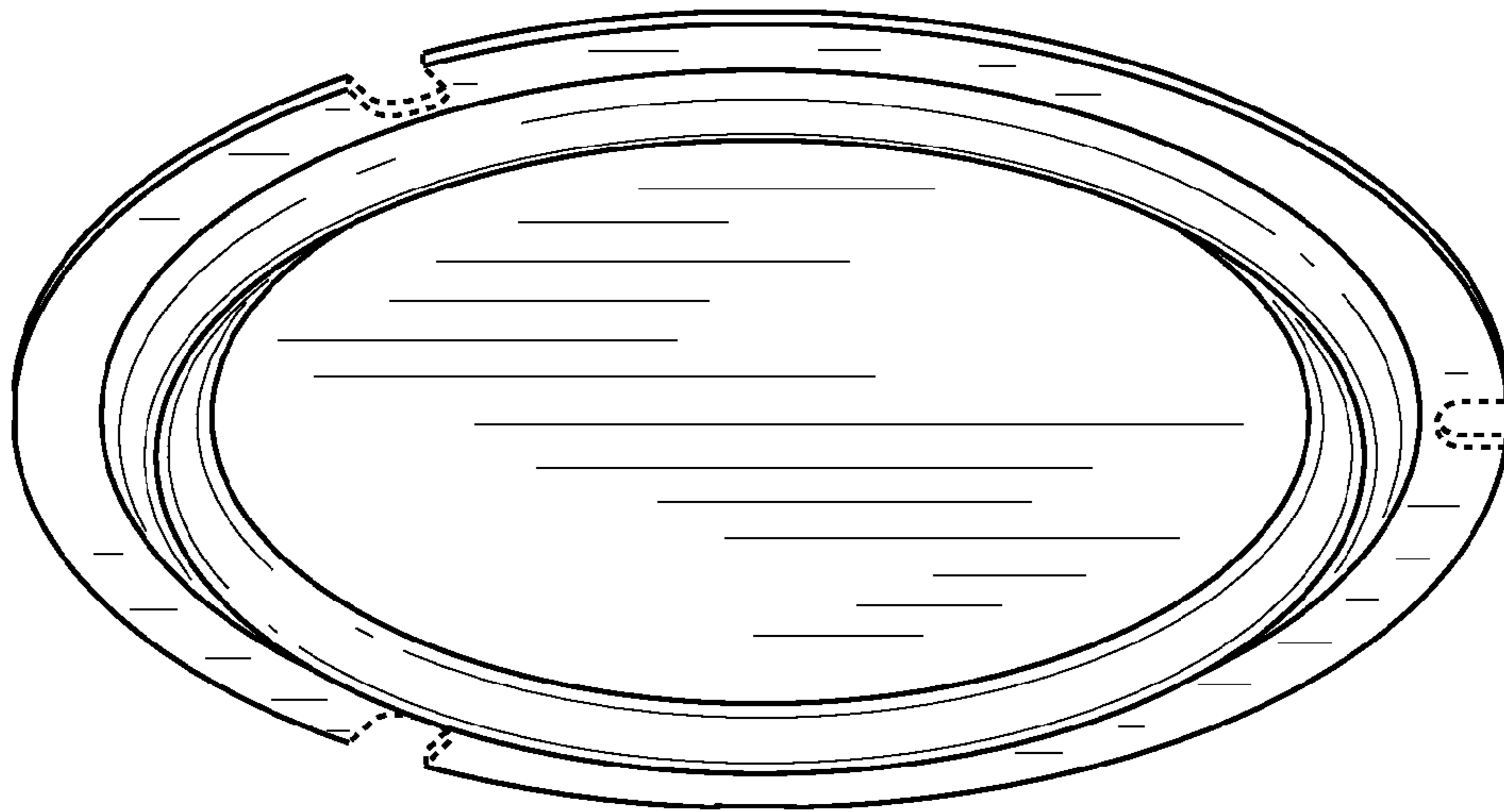


FIG. 6

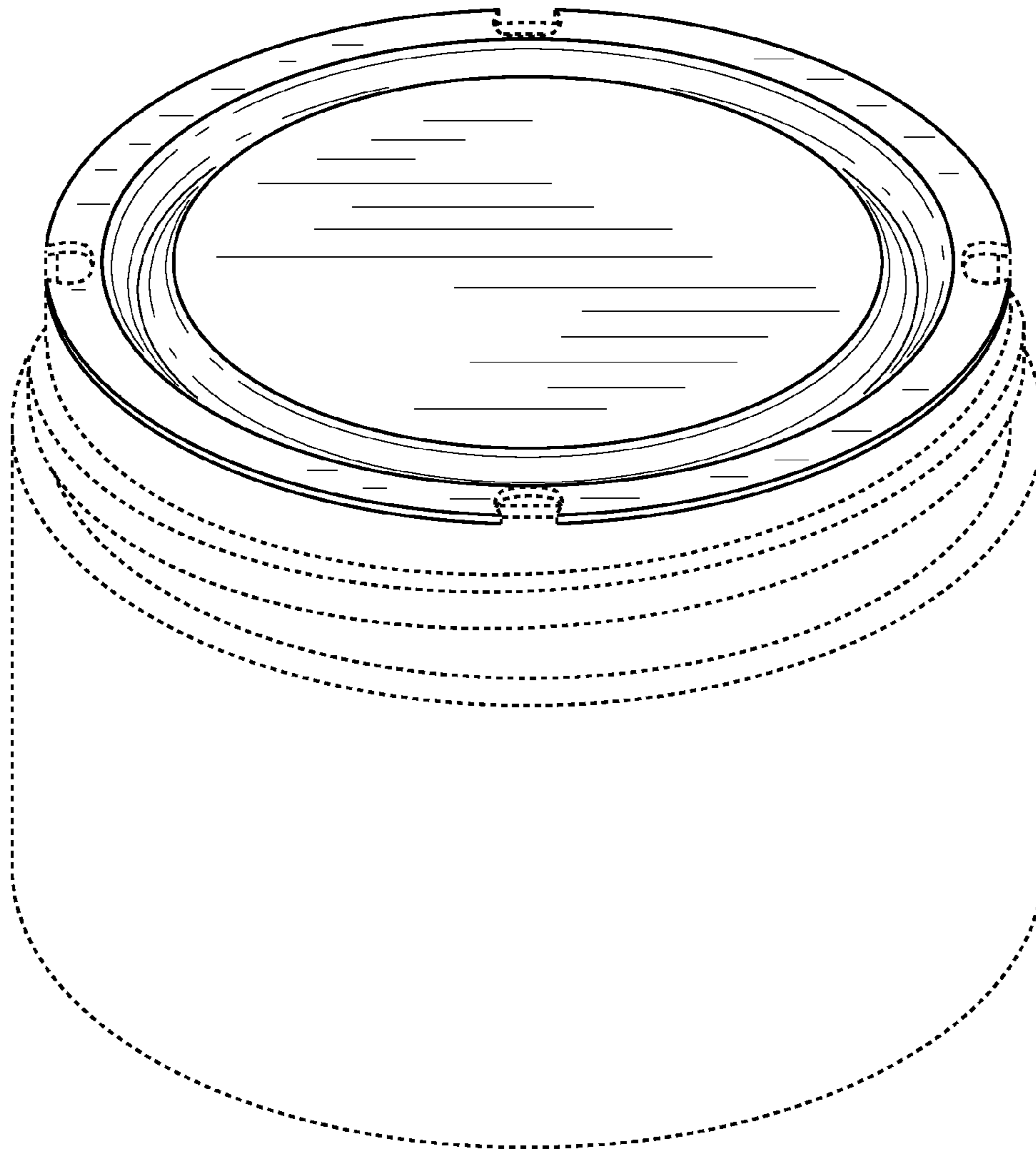


FIG. 7

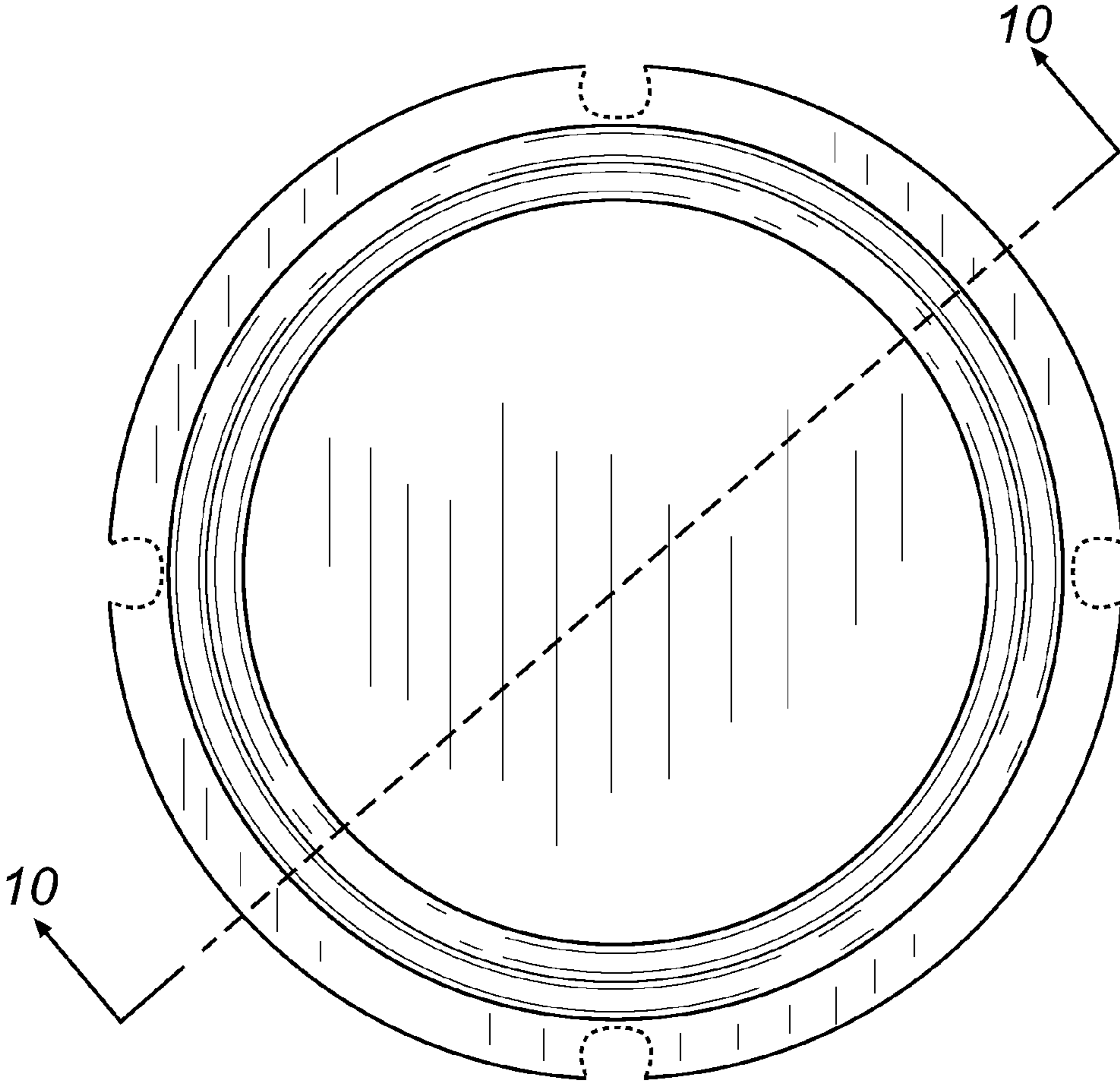


FIG. 8

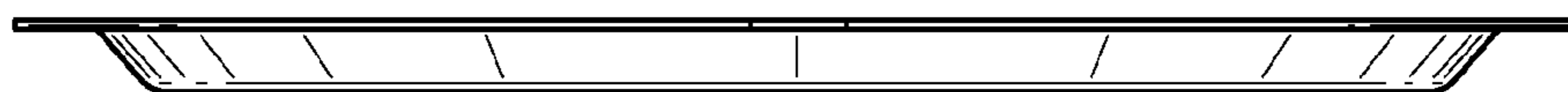


FIG. 9

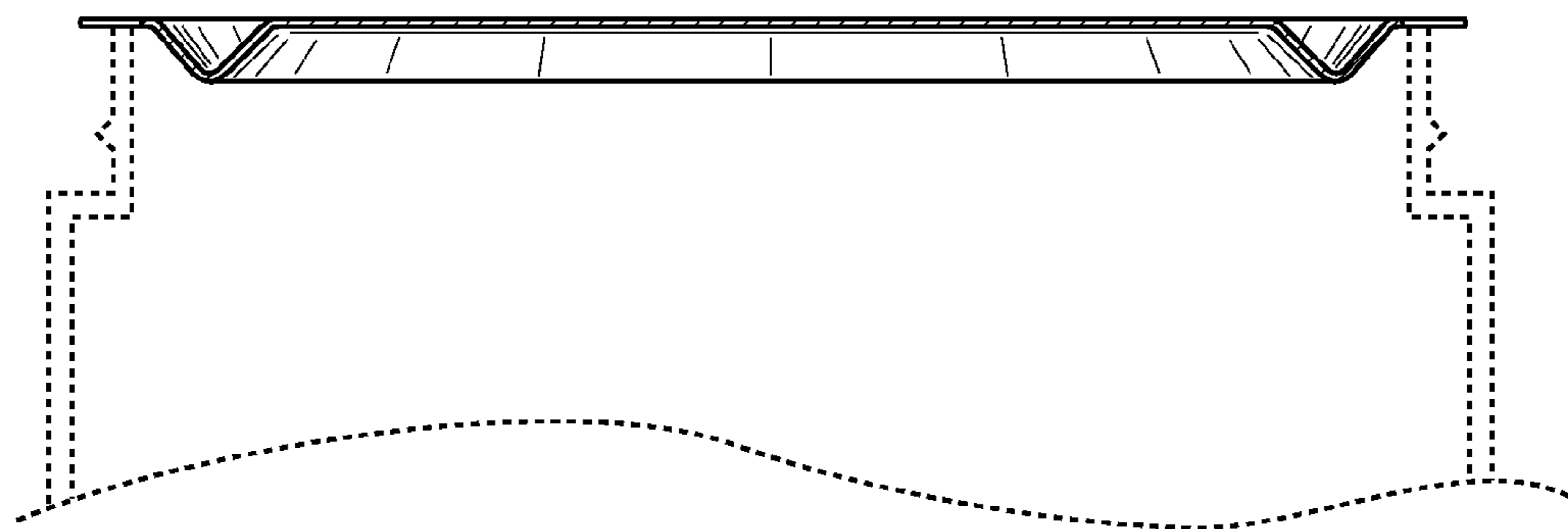


FIG. 10

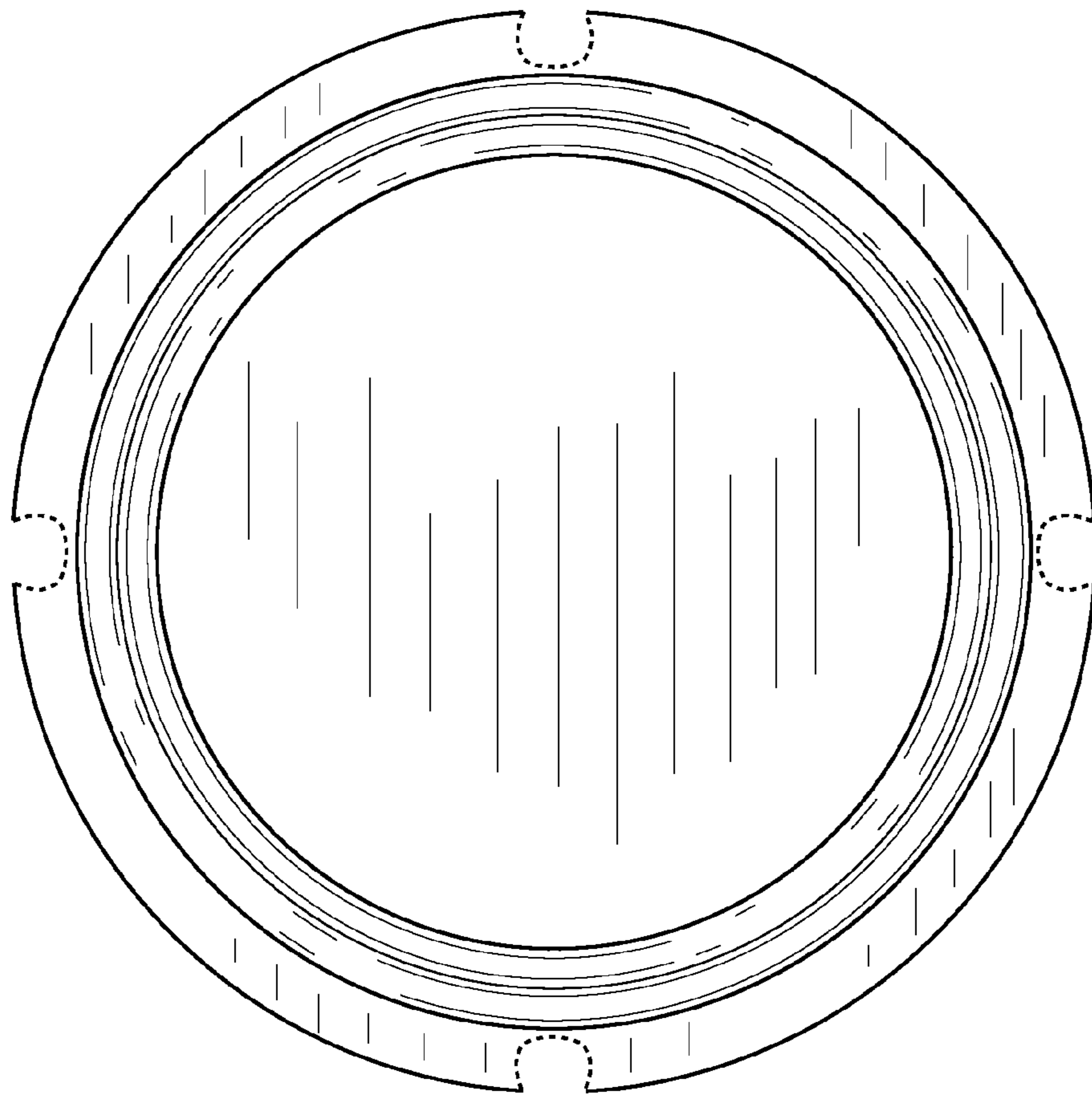


FIG. 11

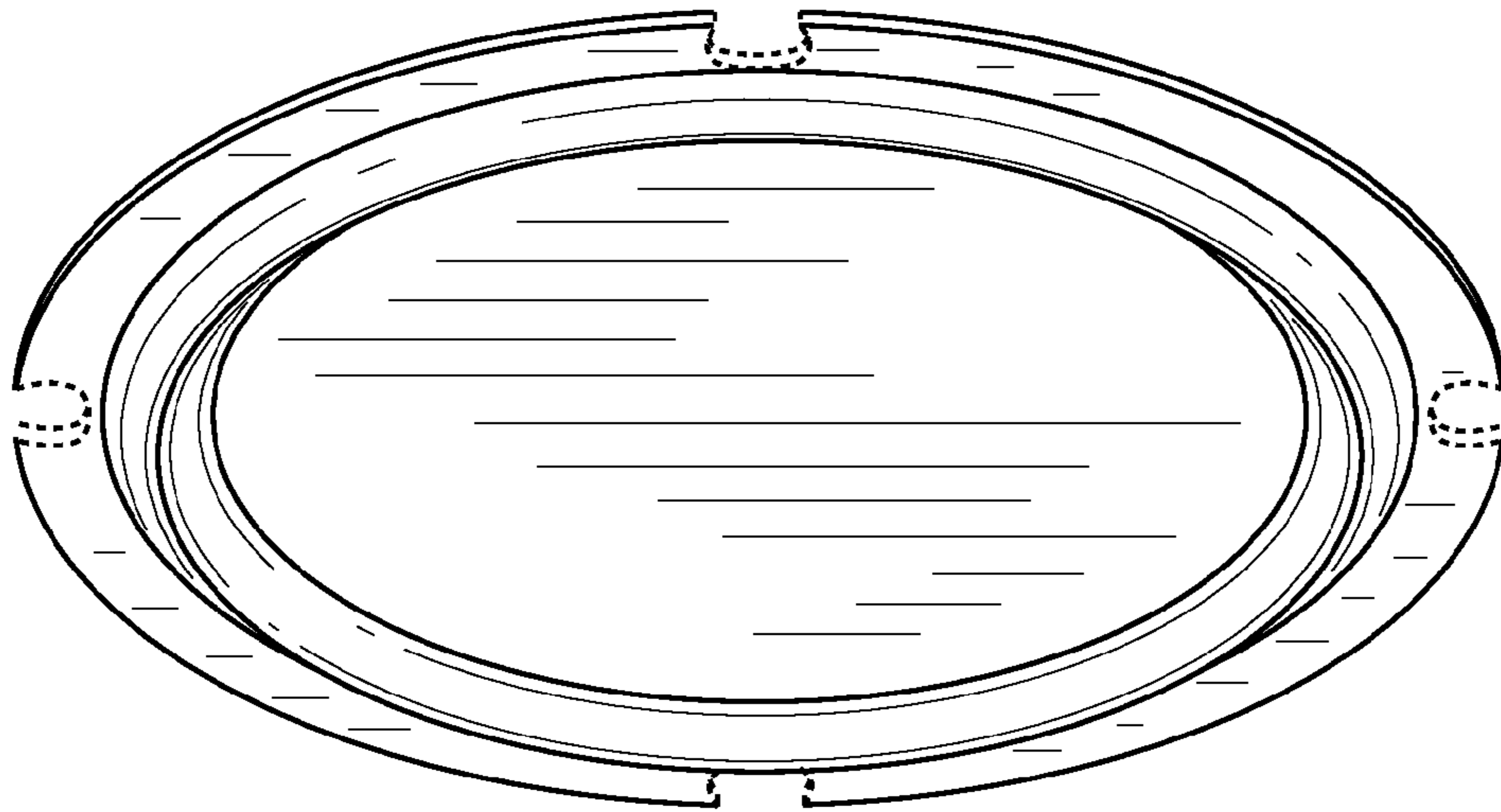


FIG. 12