



US00D623517S

(12) **United States Design Patent**
Péchinot

(10) **Patent No.:** **US D623,517 S**

(45) **Date of Patent:** **** Sep. 14, 2010**

(54) **CLOSURE**

(75) Inventor: **Laurent Péchinot**, Mont les Seurre (FR)

(73) Assignee: **BERICAP**, Longvic (FR)

(**) Term: **14 Years**

(21) Appl. No.: **29/322,229**

(22) Filed: **Jul. 31, 2008**

(30) **Foreign Application Priority Data**

Jan. 31, 2008 (EM) 000870233-0001

(51) **LOC (9) Cl.** **09-07**

(52) **U.S. Cl.** **D9/449; D9/453**

(58) **Field of Classification Search** D9/454,
D9/450, 449, 447, 446, 443, 438, 436, 435,
D9/434; D7/510, 396.2, 391; 222/565, 556,
222/109, 498, 153.01-153.14; 221/63; 220/847,
220/838, 375, 367.1, 258.2, 257.1, 254.1-254.4;
215/306, 256, 249, 243, 237, 235, 230; 16/257
See application file for complete search history.

(56) **References Cited**

U.S. PATENT DOCUMENTS

D319,981 S * 9/1991 Sledge D9/447

D374,821 S * 10/1996 Johnson D9/447

D385,491 S * 10/1997 Mueller et al. D9/446

5,762,228 A * 6/1998 Morgan et al. 220/367.1

D399,744 S * 10/1998 Gross D9/447

D512,634 S * 12/2005 Illenberger et al. D9/447

* cited by examiner

Primary Examiner—Susan Bennett Hattan

(74) *Attorney, Agent, or Firm*—Blank Rome LLP

(57) **CLAIM**

The design for a closure, as shown and described.

DESCRIPTION

FIG. 1 is a first side view of the closure;

FIG. 2 is another side view of the closure;

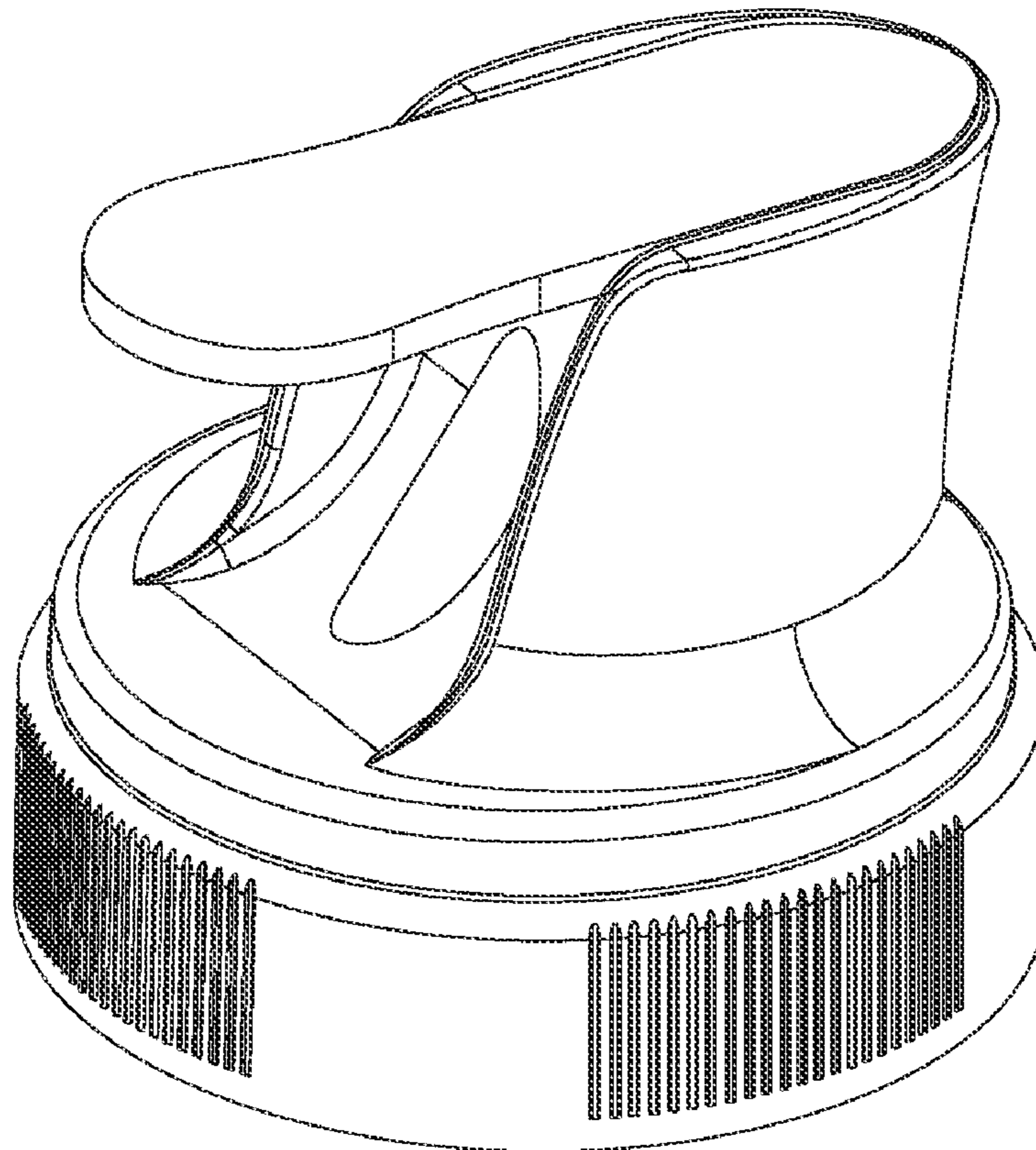
FIG. 3 is still another side view of the closure;

FIG. 4 is a top view of the closure;

FIG. 5 is a perspective view of the closure in a first position;
and,

FIG. 6 is the perspective view of the closure of FIG. 5 but in
a second position.

1 Claim, 6 Drawing Sheets



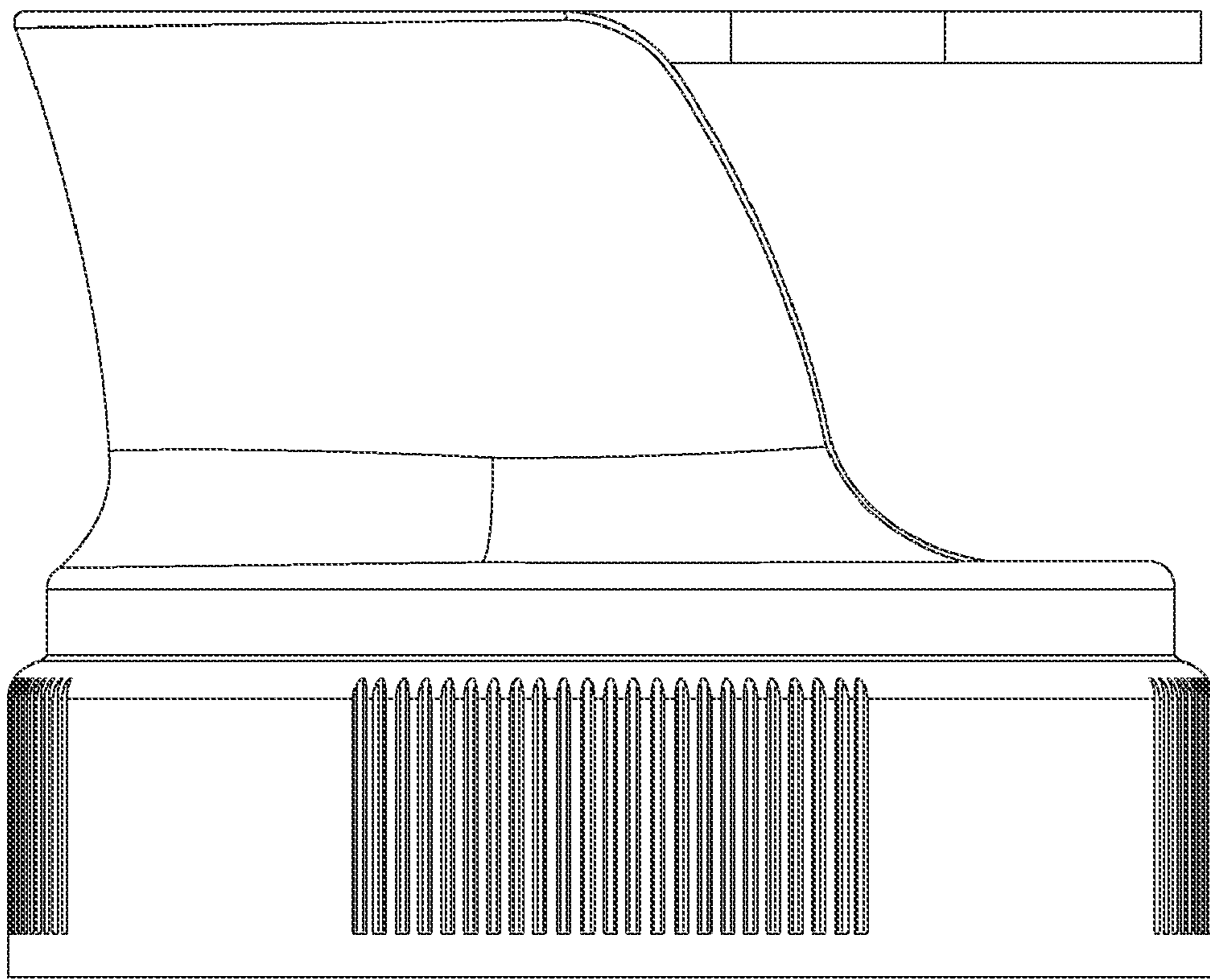


FIG. 1

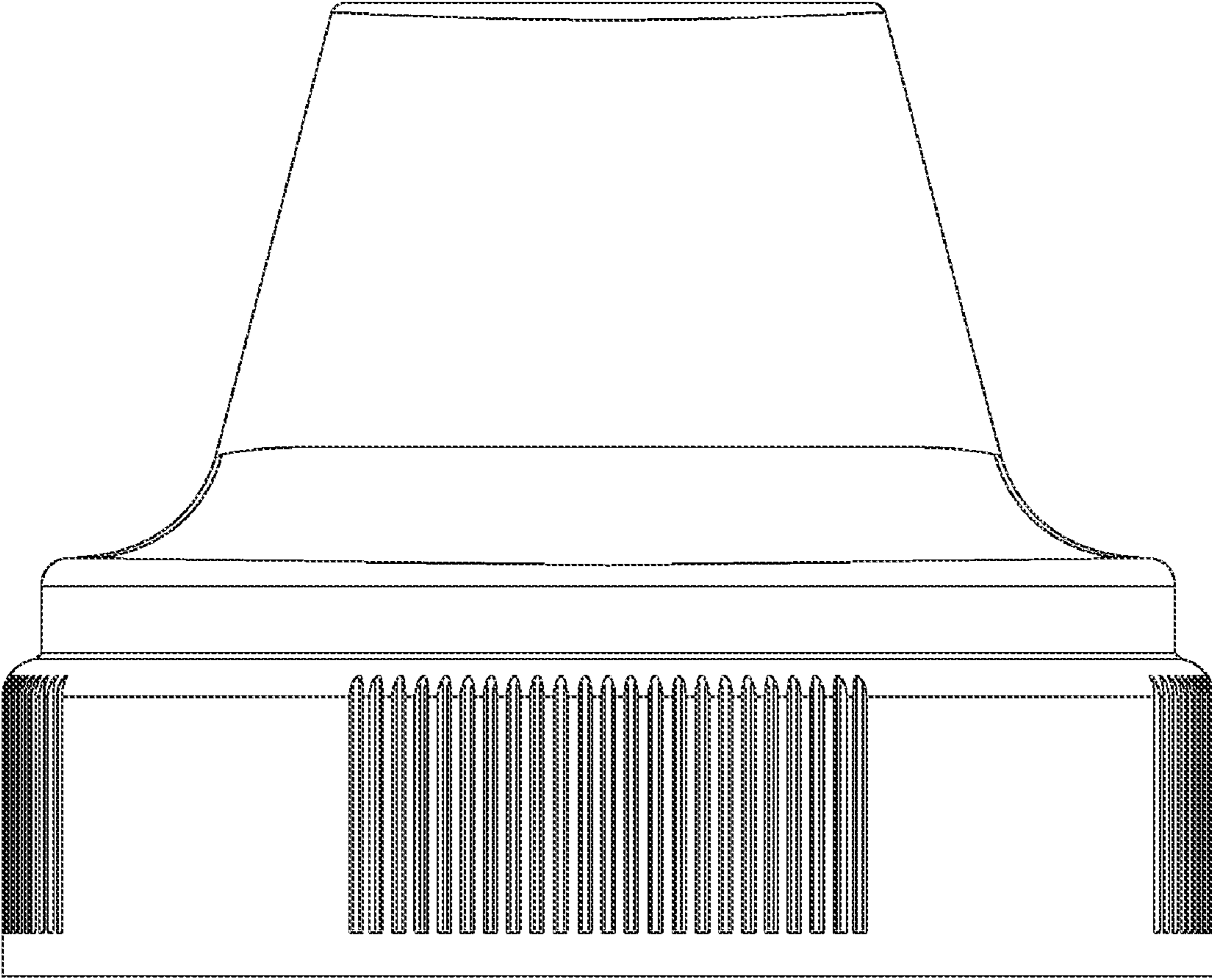


FIG. 2

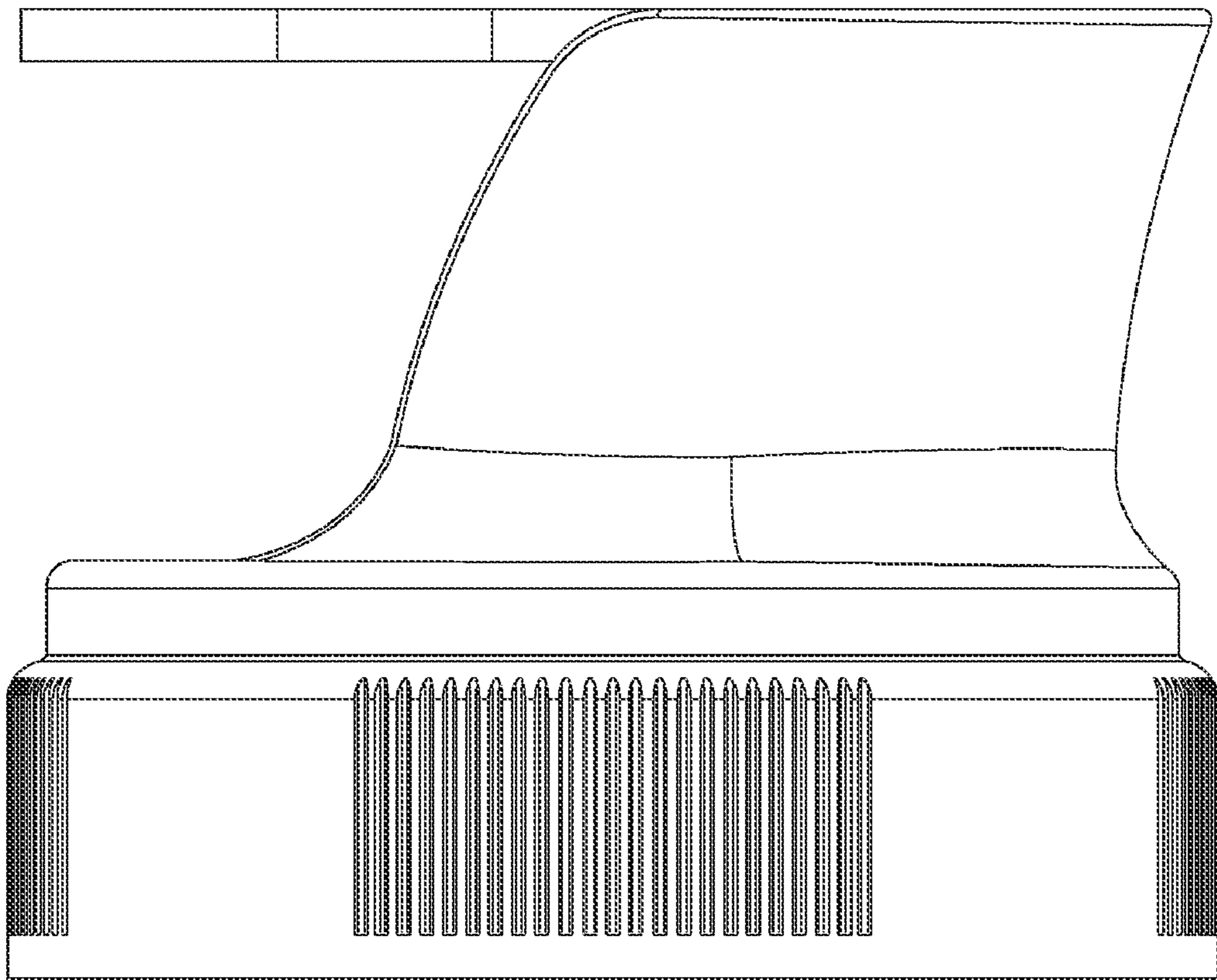


FIG. 3

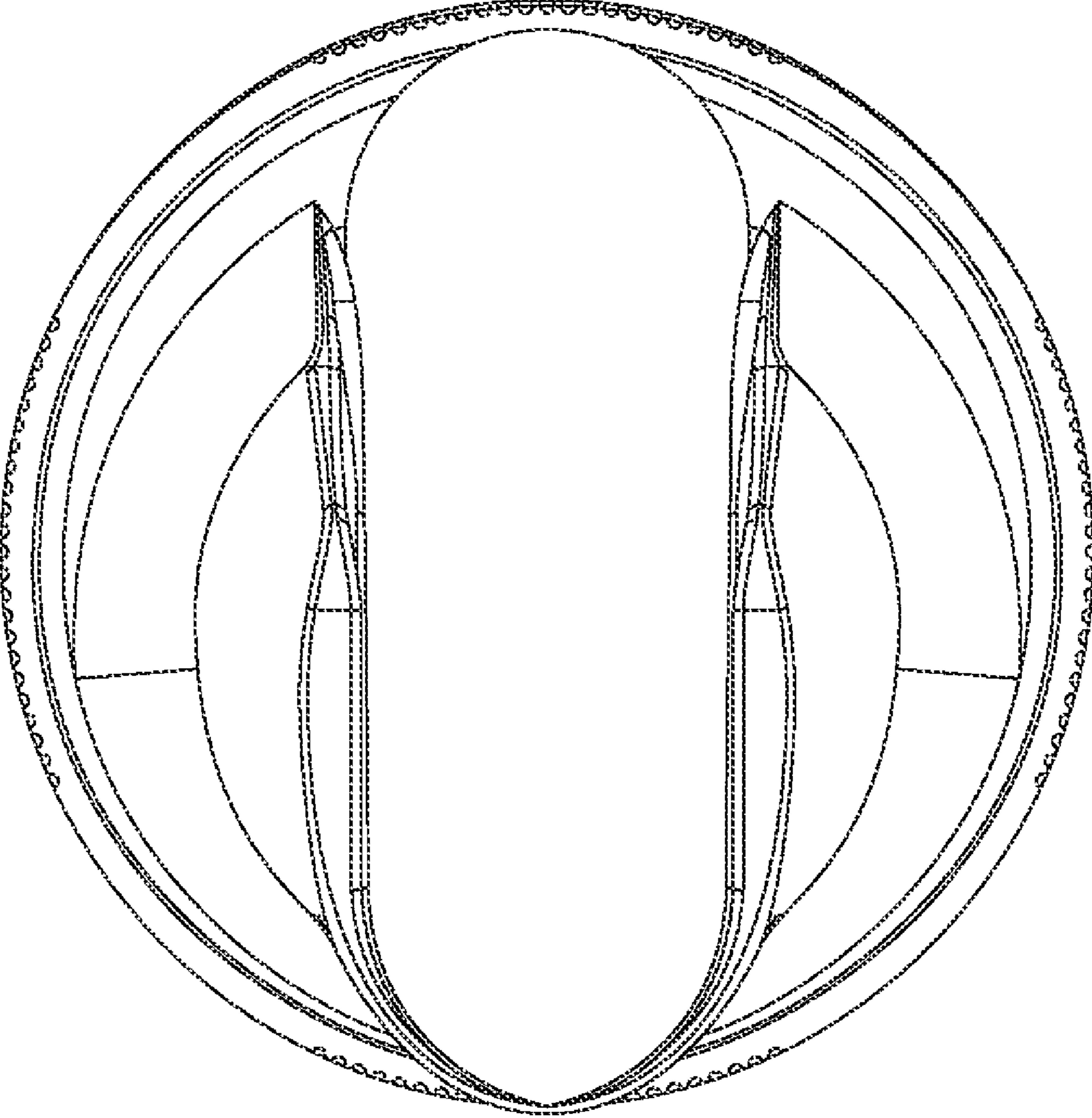


FIG. 4

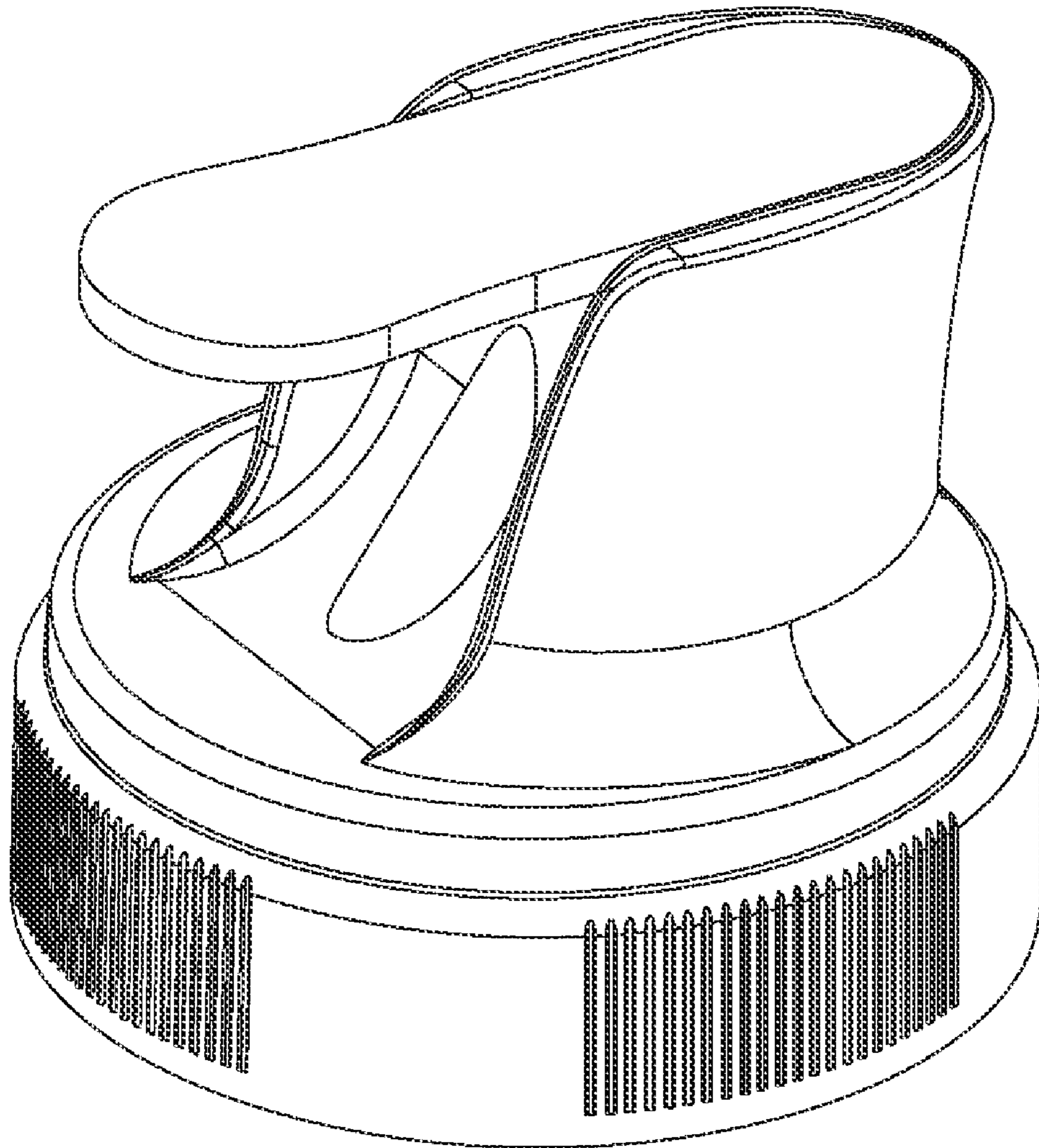


FIG. 5

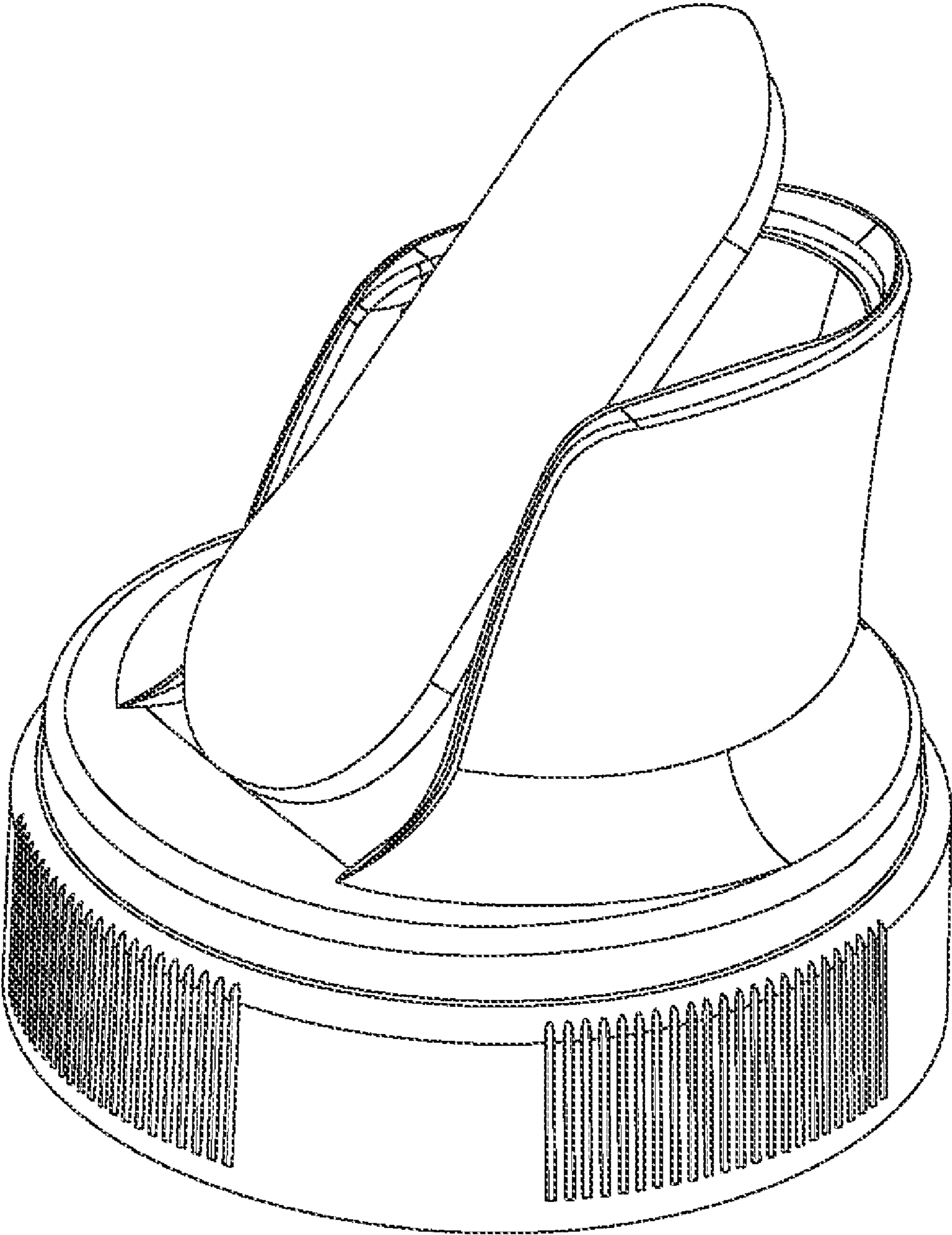


FIG. 6