



US00D623515S

(12) **United States Design Patent**
Gordon et al.

(10) **Patent No.:** **US D623,515 S**
(45) **Date of Patent:** **** Sep. 14, 2010**

(54) **CONTAINER WITH BASKETBALL GAME FEATURE**

(75) Inventors: **Andrew Gordon**, Cincinnati, OH (US);
Dennis Heydorn, Jr., Cincinnati, OH (US); **John W. Stevie**, Taylor Mill, KY (US)

(73) Assignee: **Elk Creek Vineyards, LLC**, Owenton, KY (US)

(**) Term: **14 Years**

(21) Appl. No.: **29/353,074**

(22) Filed: **Dec. 31, 2009**

(51) **LOC (9) Cl.** **09-03**

(52) **U.S. Cl.** **D9/432**

(58) **Field of Classification Search** D9/430-433,
D9/414, 418, 420-424; D3/272; 206/267,
206/269, 270, 273, 299, 737, 740, 822; 229/100,
229/101, 101.3, 106, 108-112, 114-117,
229/117.05-117.09, 117.24-117.26, 221,
229/222, 227, 902, 939, 941, 942
See application file for complete search history.

(56) **References Cited**

U.S. PATENT DOCUMENTS

- 1,632,412 A * 6/1927 McCrystal 229/221
- 2,178,967 A * 11/1939 Markert 206/418
- 2,238,821 A * 4/1941 Peppers 220/269
- D129,731 S * 9/1941 Luttrell D9/418
- 2,583,211 A * 1/1952 Fleming 229/123.3
- 2,820,585 A * 1/1958 Nerenberg et al. 229/221
- 3,246,825 A * 4/1966 Zastrow 220/592.19
- 3,262,631 A * 7/1966 Belsinger 229/122
- 3,690,543 A * 9/1972 Zeitter 229/117
- 3,843,037 A * 10/1974 Susuki et al. 229/221
- 4,548,318 A * 10/1985 Boyle 229/221
- 4,809,853 A * 3/1989 Weber 229/122
- D305,101 S * 12/1989 Winterling D9/416
- 4,921,105 A * 5/1990 Culbreth 229/117.16

- D321,647 S * 11/1991 Oldorf D9/734
- D328,375 S * 7/1992 Levine D34/7
- D339,438 S * 9/1993 Moran D34/7
- 5,281,185 A * 1/1994 Lee 446/488
- D379,586 S * 6/1997 Hale D9/418

(Continued)

Primary Examiner—Robert M Spear

Assistant Examiner—Karen Acker

(74) *Attorney, Agent, or Firm*—Wood, Herron & Evans LLP

(57) **CLAIM**

The ornamental design for a container with basketball game feature, as shown and described.

DESCRIPTION

FIG. 1 is an isometric view of a container with basketball game feature illustrated in a collapsed state;

FIG. 2 is an isometric view of the container with basketball game feature illustrated in an erected state;

FIG. 3 is a front elevational view of the design of FIG. 2;

FIG. 4 is a left-side elevational view of the design of FIG. 2;

FIG. 5 is a rear elevational view of the design of FIG. 2;

FIG. 6 is a right-side elevational view of the design of FIG. 2;

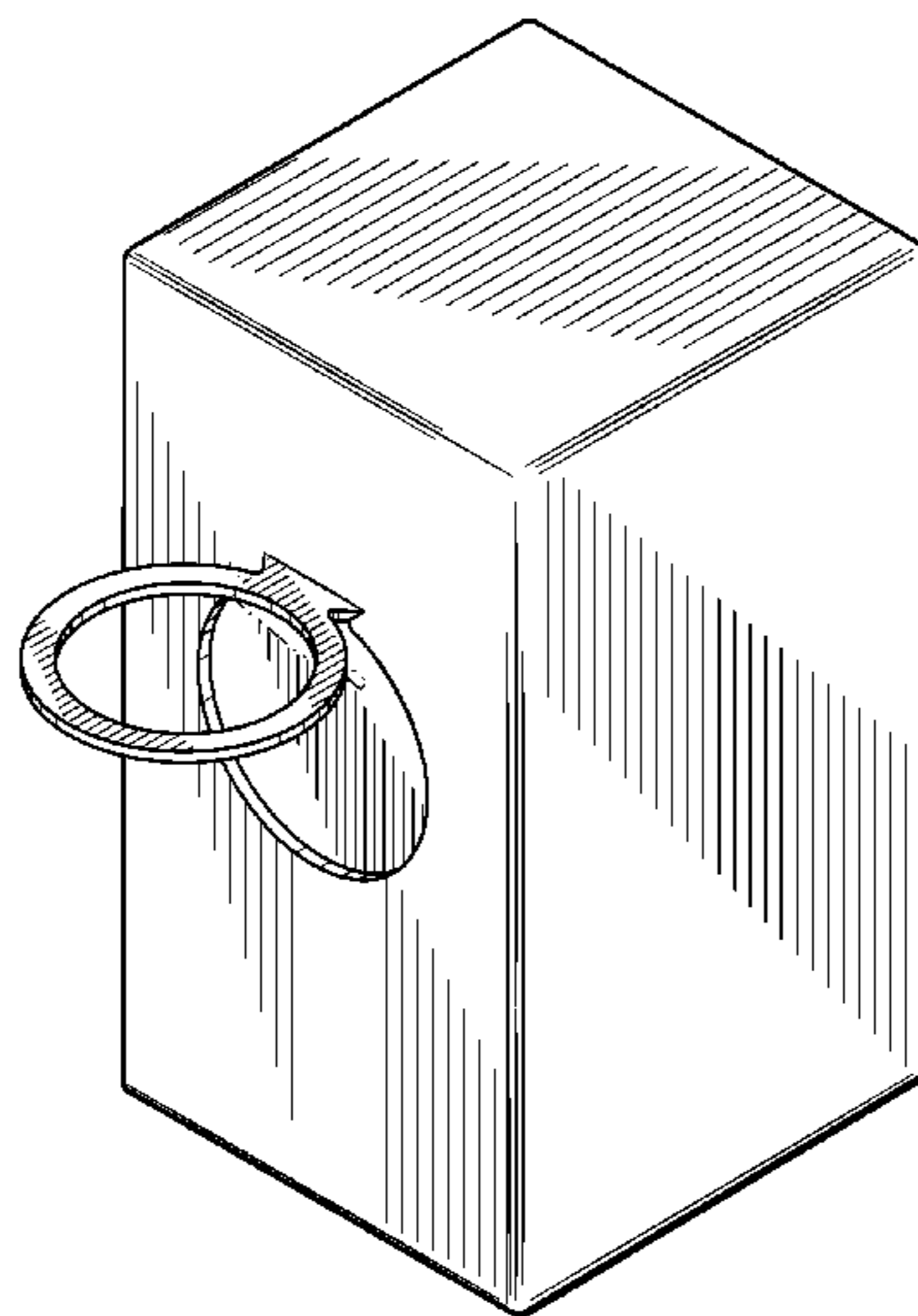
FIG. 7 is a top plan view of the design of FIG. 2; and,

FIG. 8 is a bottom plan view of the design of FIG. 2.

The equally spaced broken lines in FIG. 1 represent claimed perforation lines.

The long and short dashed lines in the drawings represent unclaimed environmental subject matter and form no part of the claimed design.

1 Claim, 4 Drawing Sheets



US D623,515 S

Page 2

U.S. PATENT DOCUMENTS			
D479,685	S *	9/2003	Zanchetta et al. D9/433
D495,953	S *	9/2004	Miller D9/432
D508,399	S *	8/2005	Nanda D9/418
D553,011	S *	10/2007	Nouvel D9/761
D604,602	S *	11/2009	Kohno D9/418
7,617,930	B2 *	11/2009	Jones et al. 206/256
2004/0094437	A1 *	5/2004	Dailey, III 206/205
* cited by examiner			

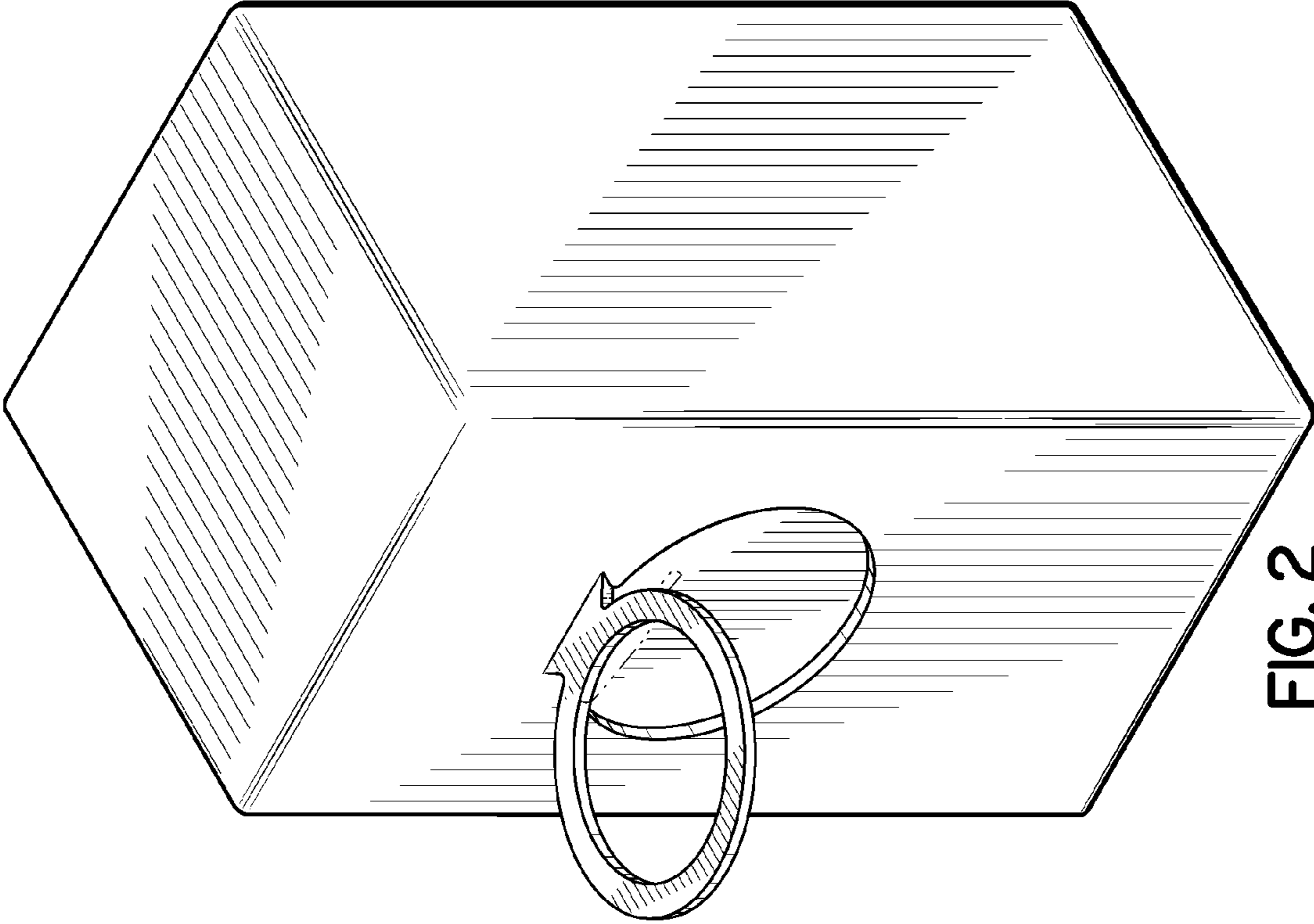


FIG. 1

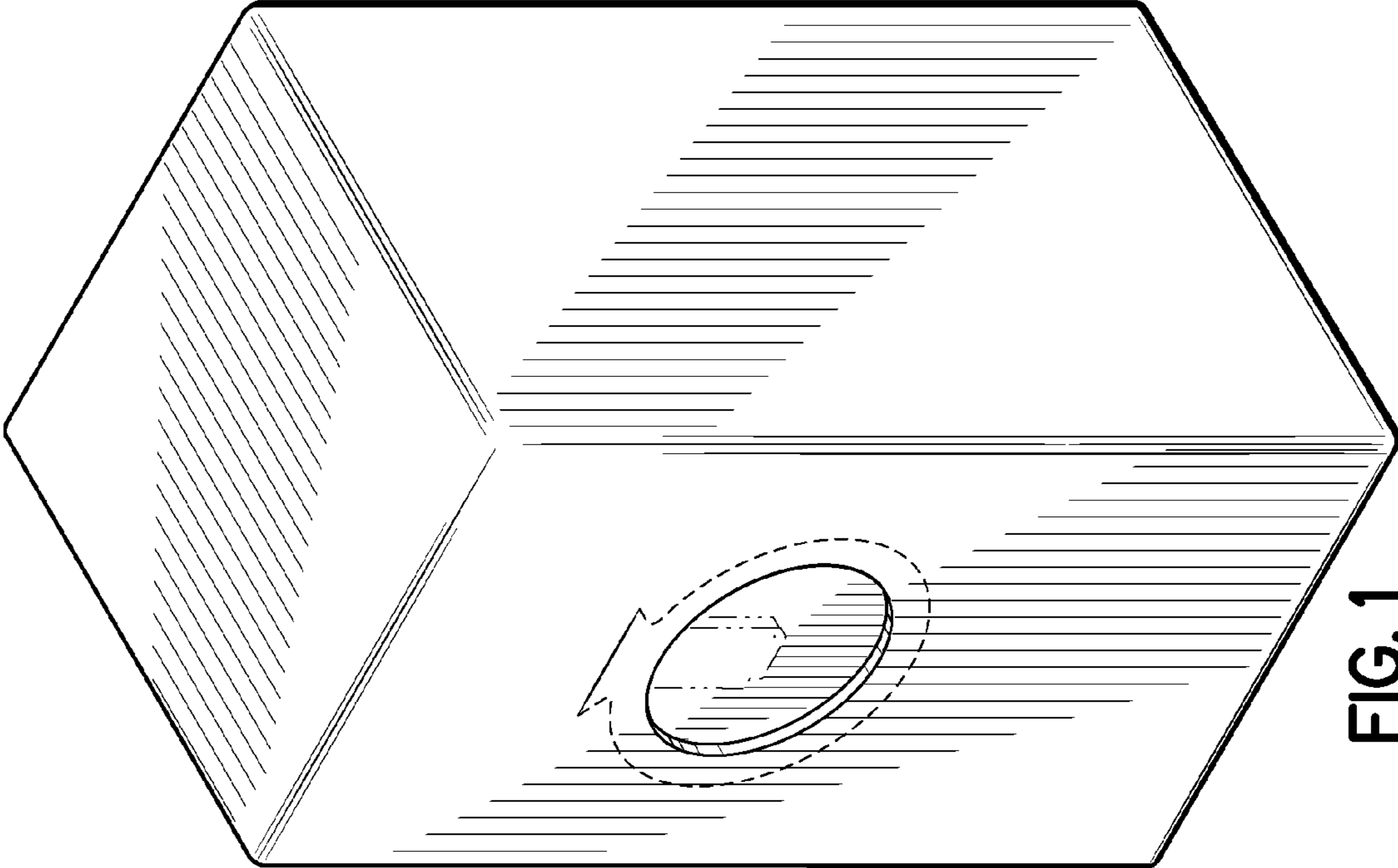


FIG. 2

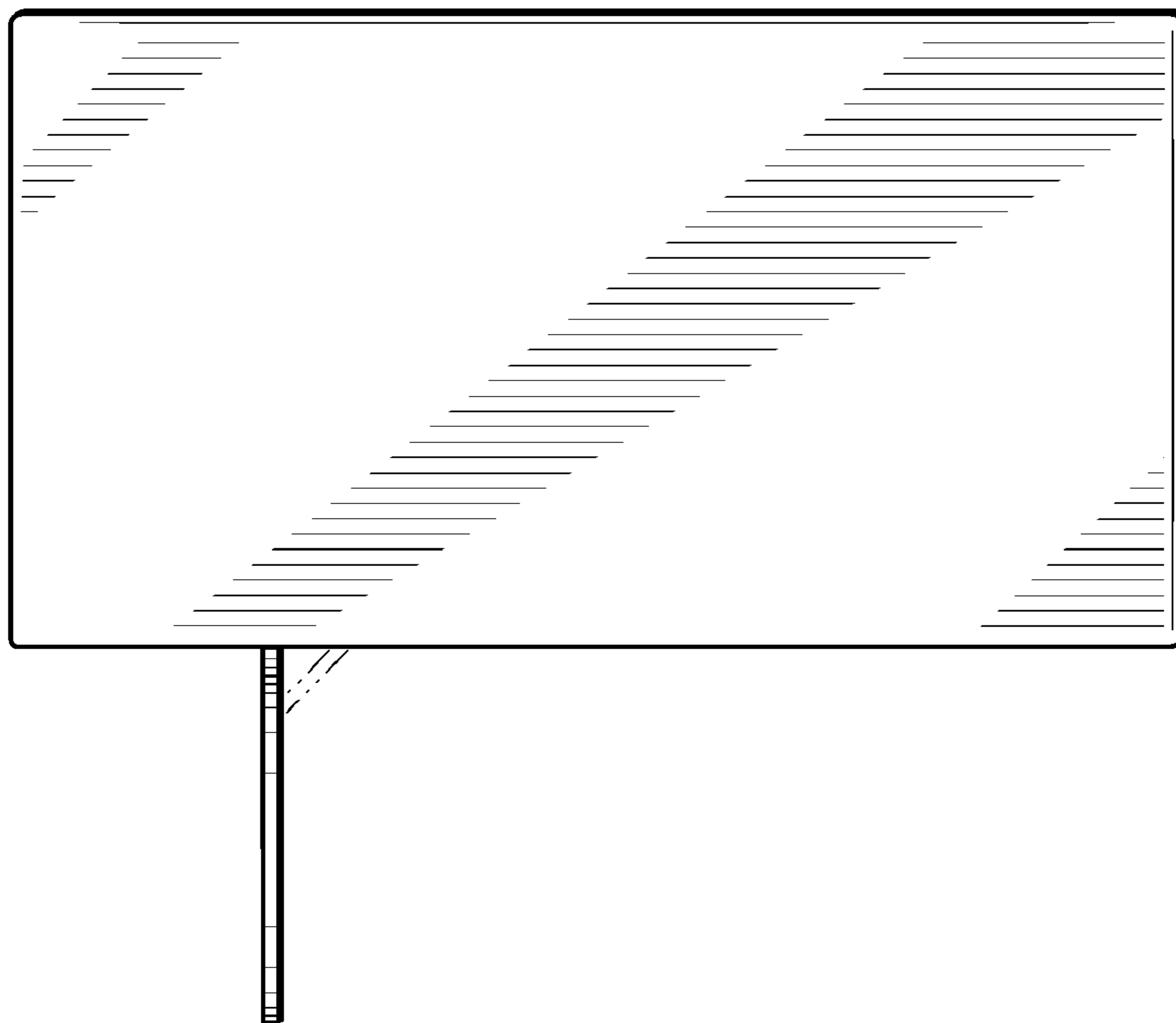


FIG. 4

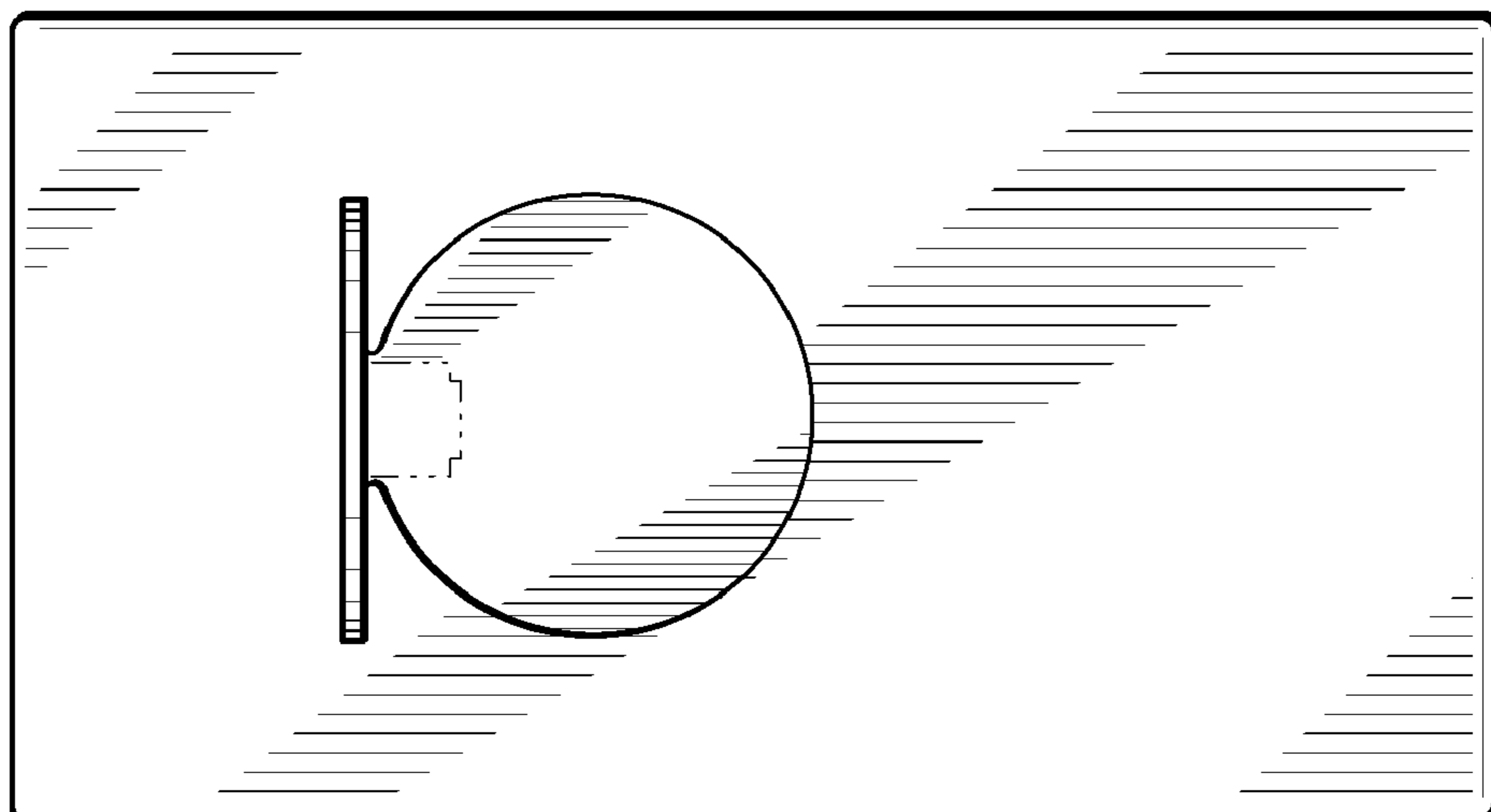


FIG. 3

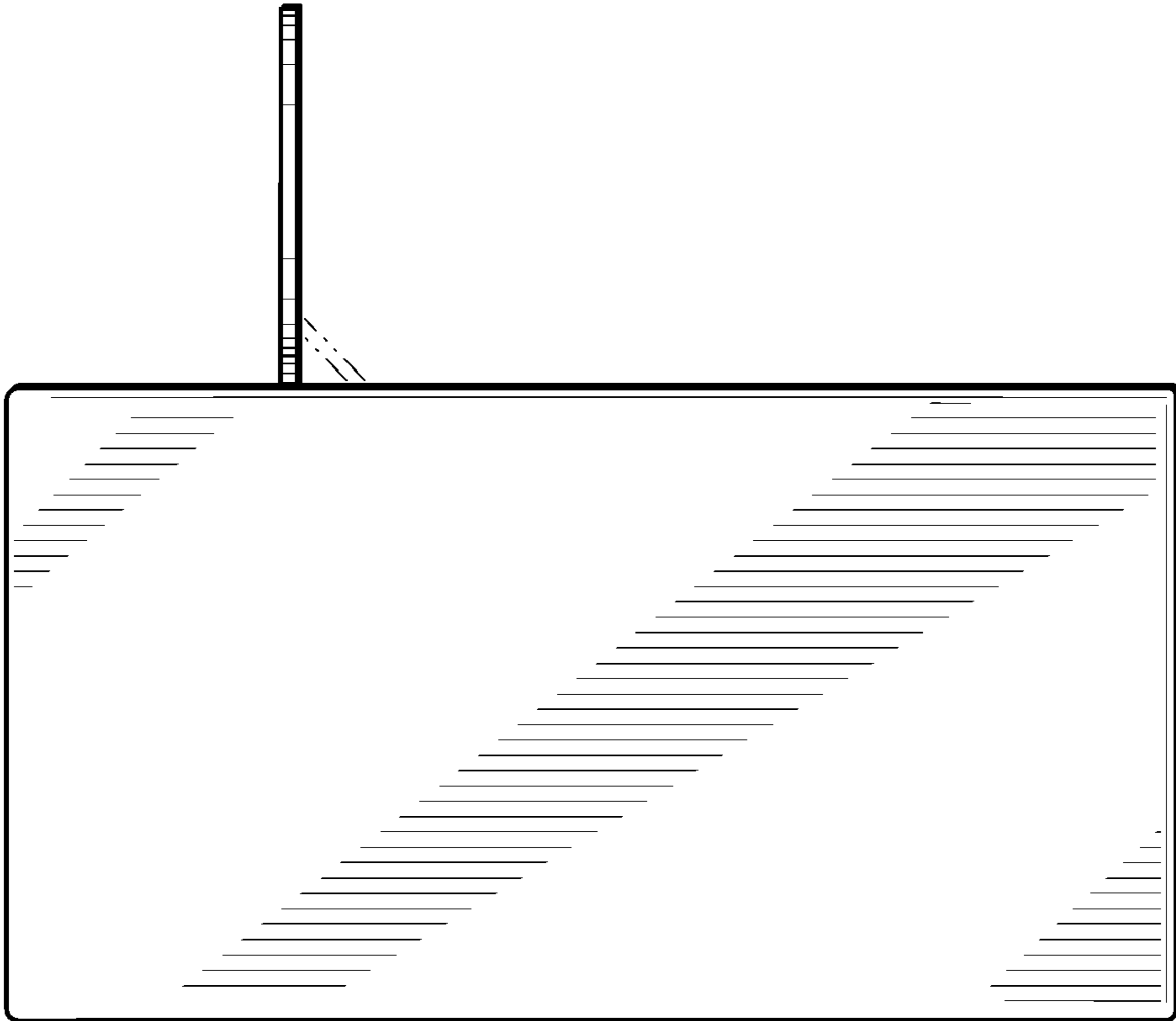


FIG. 6

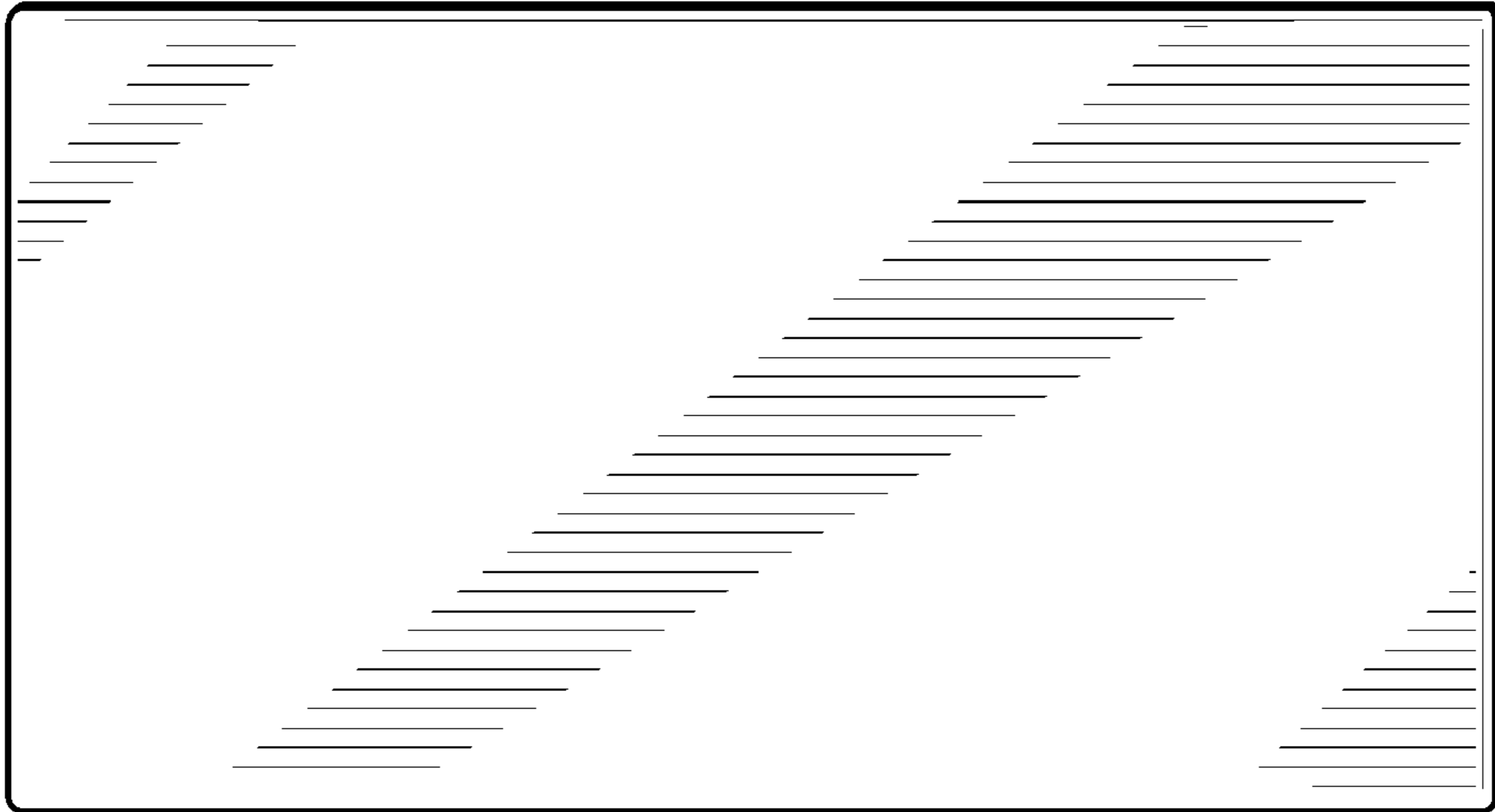


FIG. 5

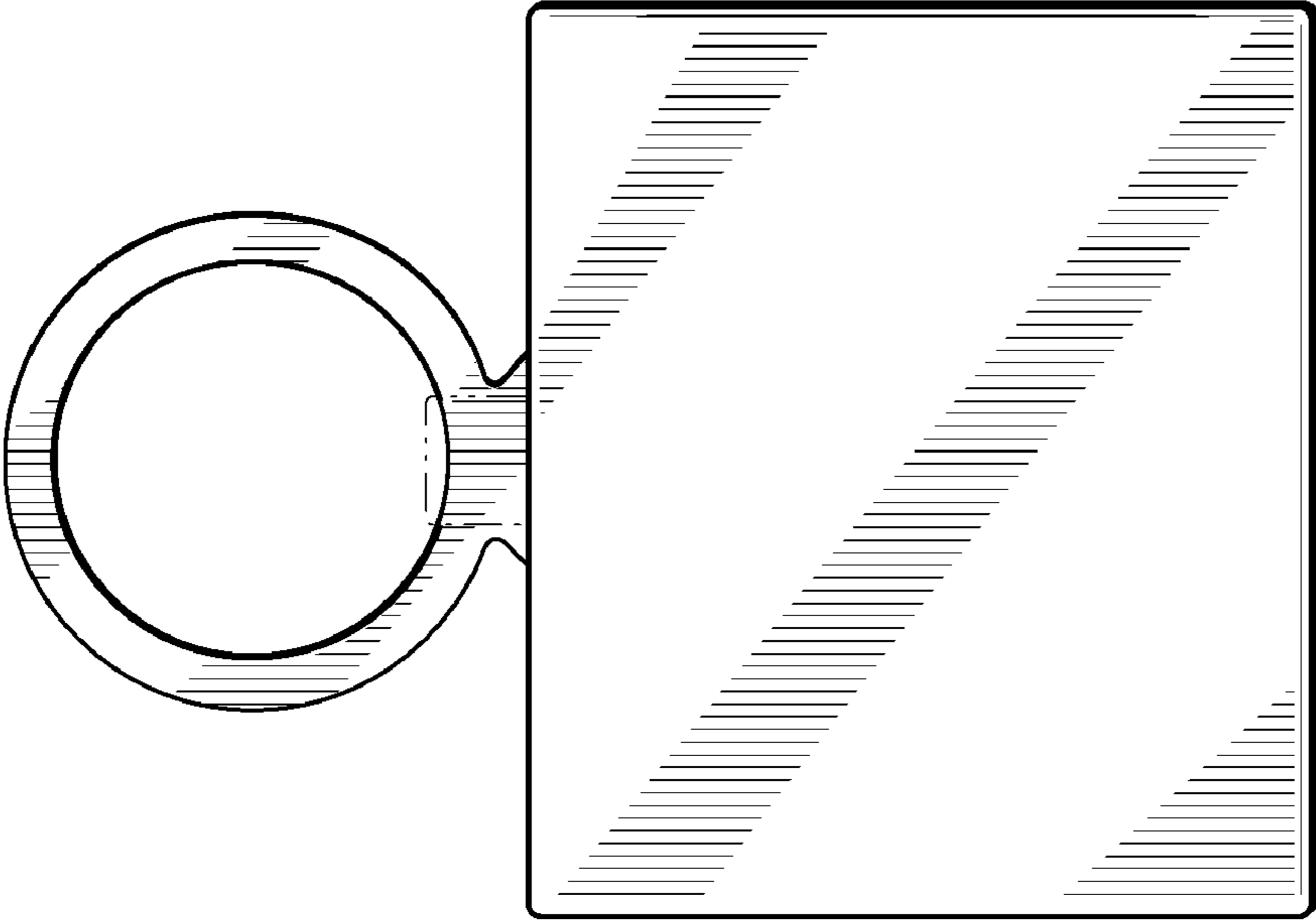


FIG. 8

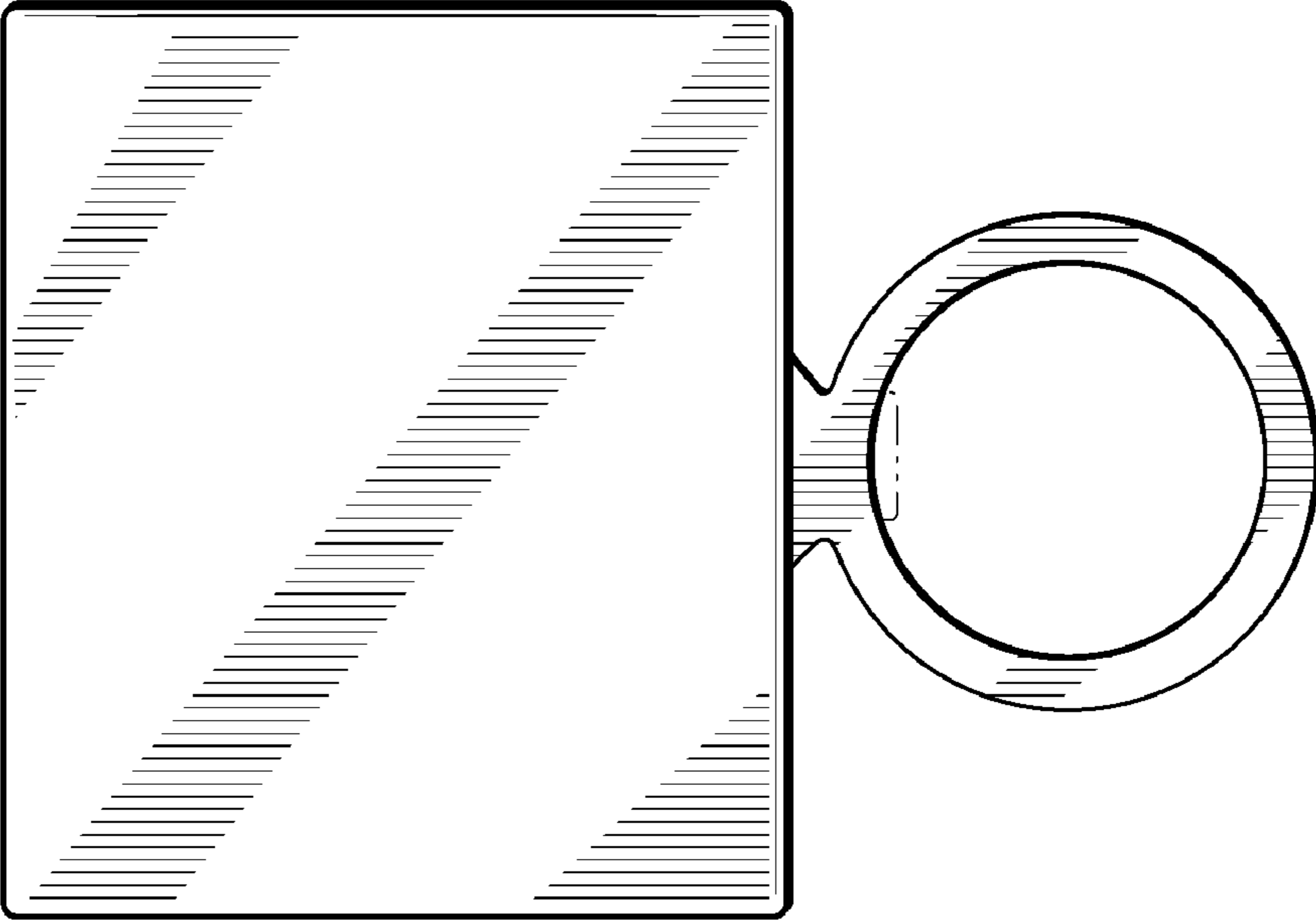


FIG. 7