



US00D623512S

(12) **United States Design Patent**  
**Stewart**

(10) **Patent No.:** **US D623,512 S**

(45) **Date of Patent:** **\*\* Sep. 14, 2010**

(54) **WAVE RING BOX**

(75) Inventor: **Glenn Stewart**, Dallas, TX (US)

(73) Assignee: **Spirit Merchandise Group, Inc.**,  
Carrollton, TX (US)

(\*\*) Term: **14 Years**

(21) Appl. No.: **29/334,024**

(22) Filed: **Mar. 19, 2009**

(51) **LOC (9) Cl.** ..... **09-03**

(52) **U.S. Cl.** ..... **D9/423**

(58) **Field of Classification Search** ..... D9/414,  
D9/415, 420, 421, 423, 425, 430, 432; D3/273-294;  
206/472, 387.13, 308.7; D6/632, 634; D24/121  
See application file for complete search history.

(56) **References Cited**

**U.S. PATENT DOCUMENTS**

D396,004 S	*	7/1998	Srinual	.....	D9/423
D417,843 S	*	12/1999	Srinual	.....	D9/423
D509,425 S	*	9/2005	Learey	.....	D9/432
D510,700 S	*	10/2005	Au	.....	D9/420
D606,394 S	*	12/2009	Stewart	.....	D9/423
D606,857 S	*	12/2009	Stewart	.....	D9/432
D606,859 S	*	12/2009	Stewart	.....	D9/432

\* cited by examiner

*Primary Examiner*—Daniel D Bui

*Assistant Examiner*—Thomas J Johannes

(74) *Attorney, Agent, or Firm*—David W. Carstens;  
Carstens & Cahoon, LLP

(57) **CLAIM**

The ornamental design for a wave ring box, as shown and described.

**DESCRIPTION**

FIG. 1 is a perspective view of the wave ring box of the present invention with the lid closed;

FIG. 2 is a perspective view of the wave ring box of the present invention with the lid opened at 90°;

FIG. 3 is a perspective view of the wave ring box of the present invention with the lid opened at 180°;

FIG. 4 is a perspective view of the wave ring box of the present invention with the lid opened at 270°;

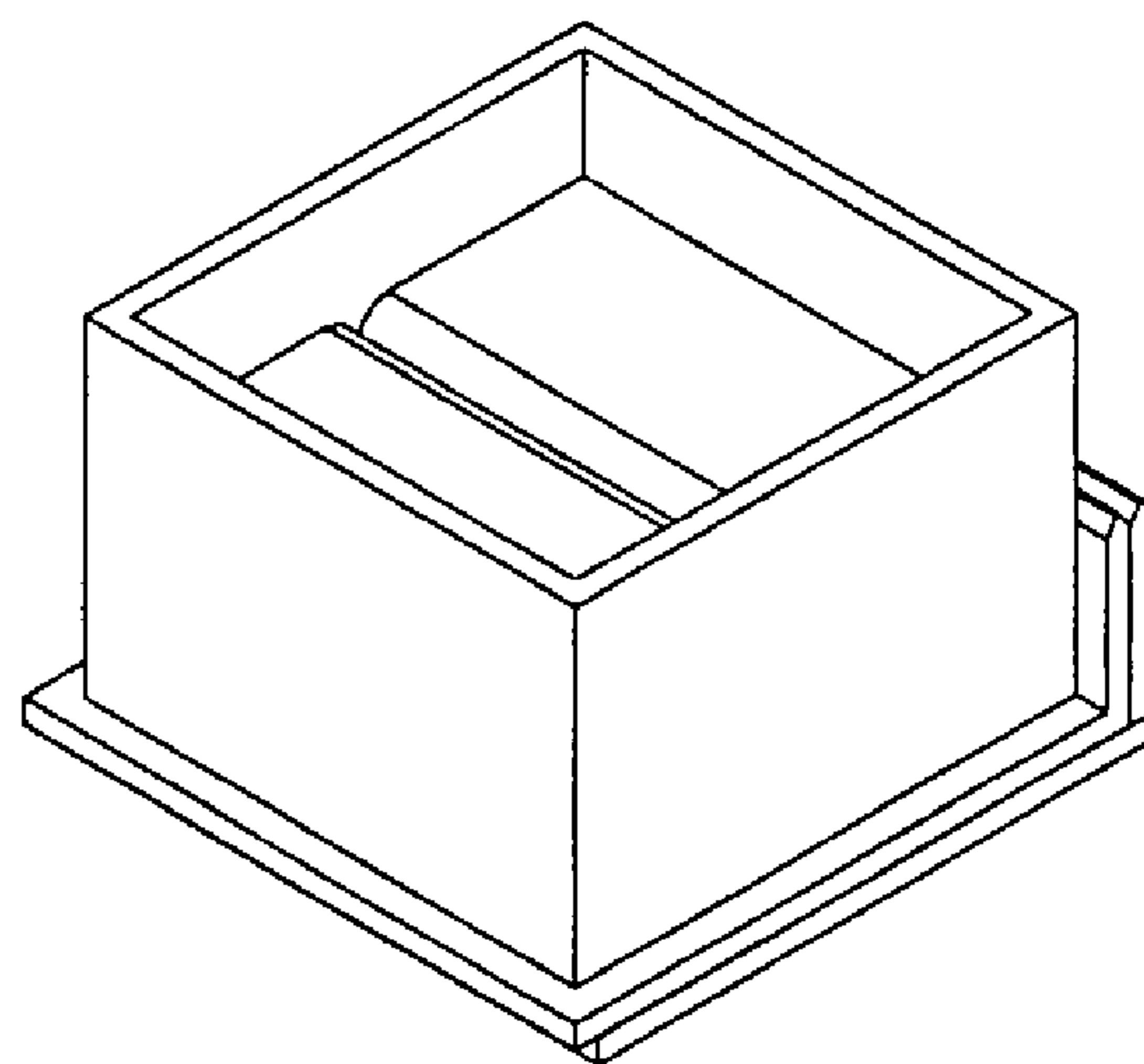
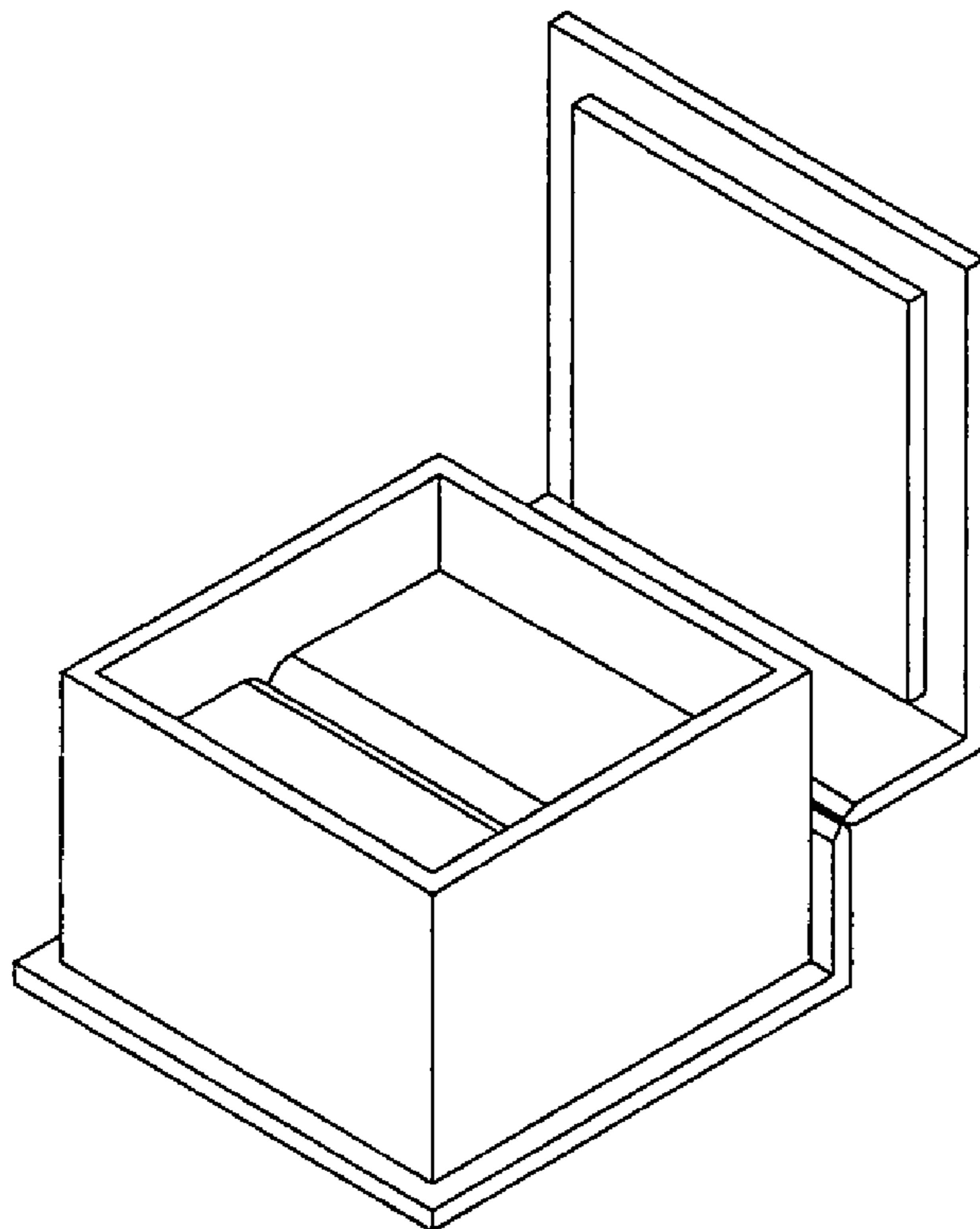
FIG. 5 is a perspective view of the wave ring box of the present invention with the lid folded under the box;

FIG. 6 is a top view thereof.

FIG. 7 is a front elevation view thereof; and,

FIG. 8 is a side elevation view.

**1 Claim, 2 Drawing Sheets**



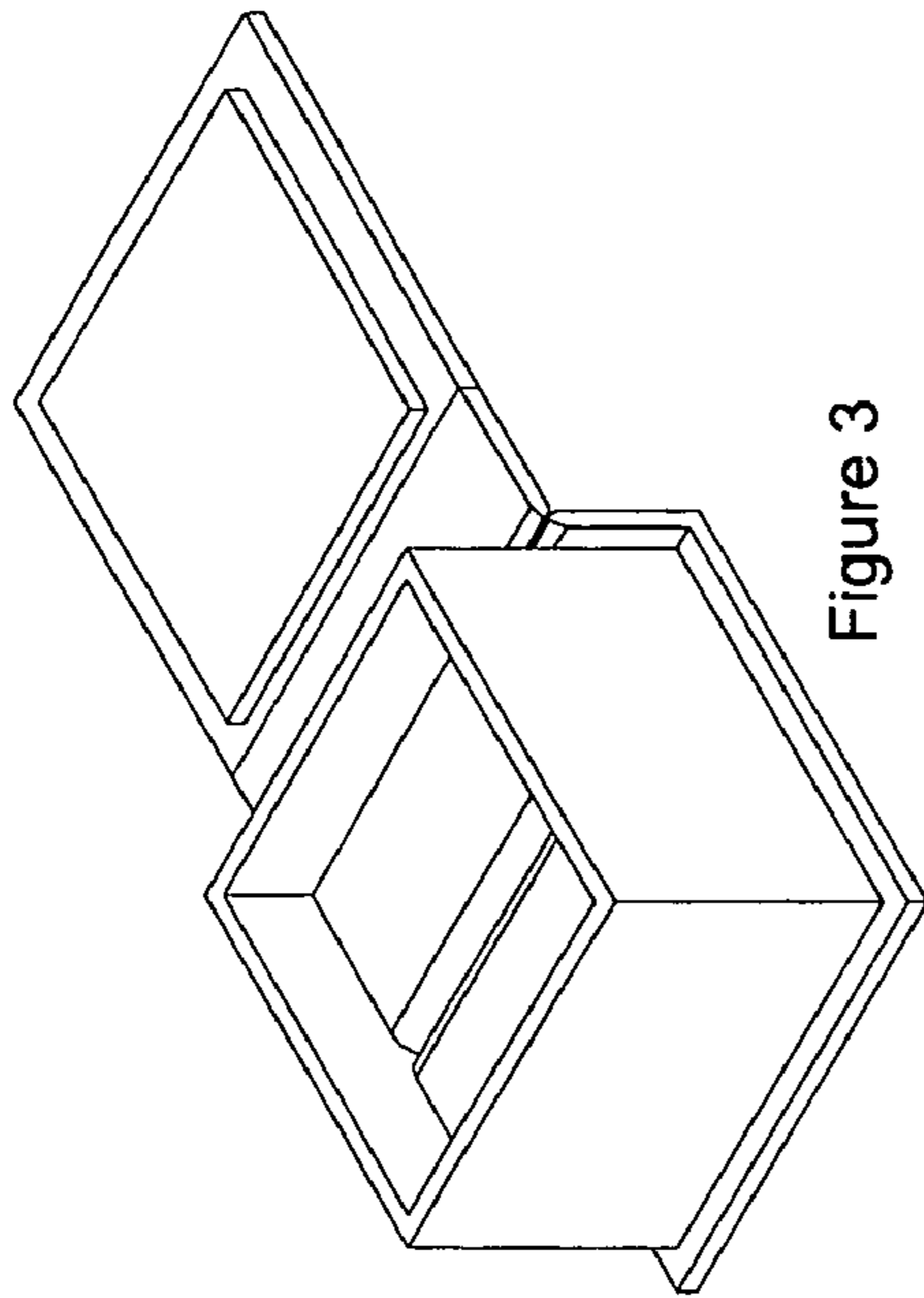


Figure 3

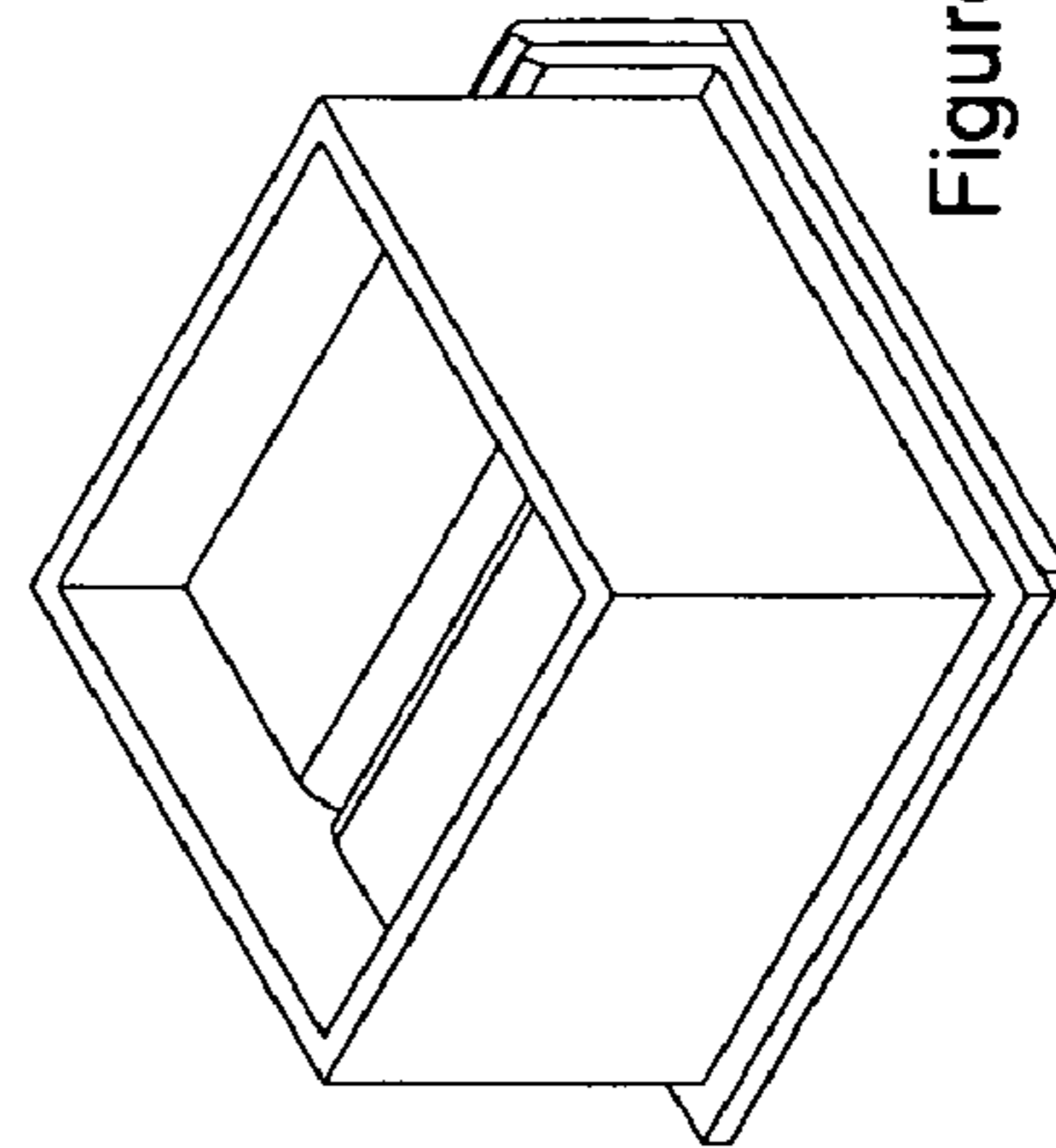


Figure 5

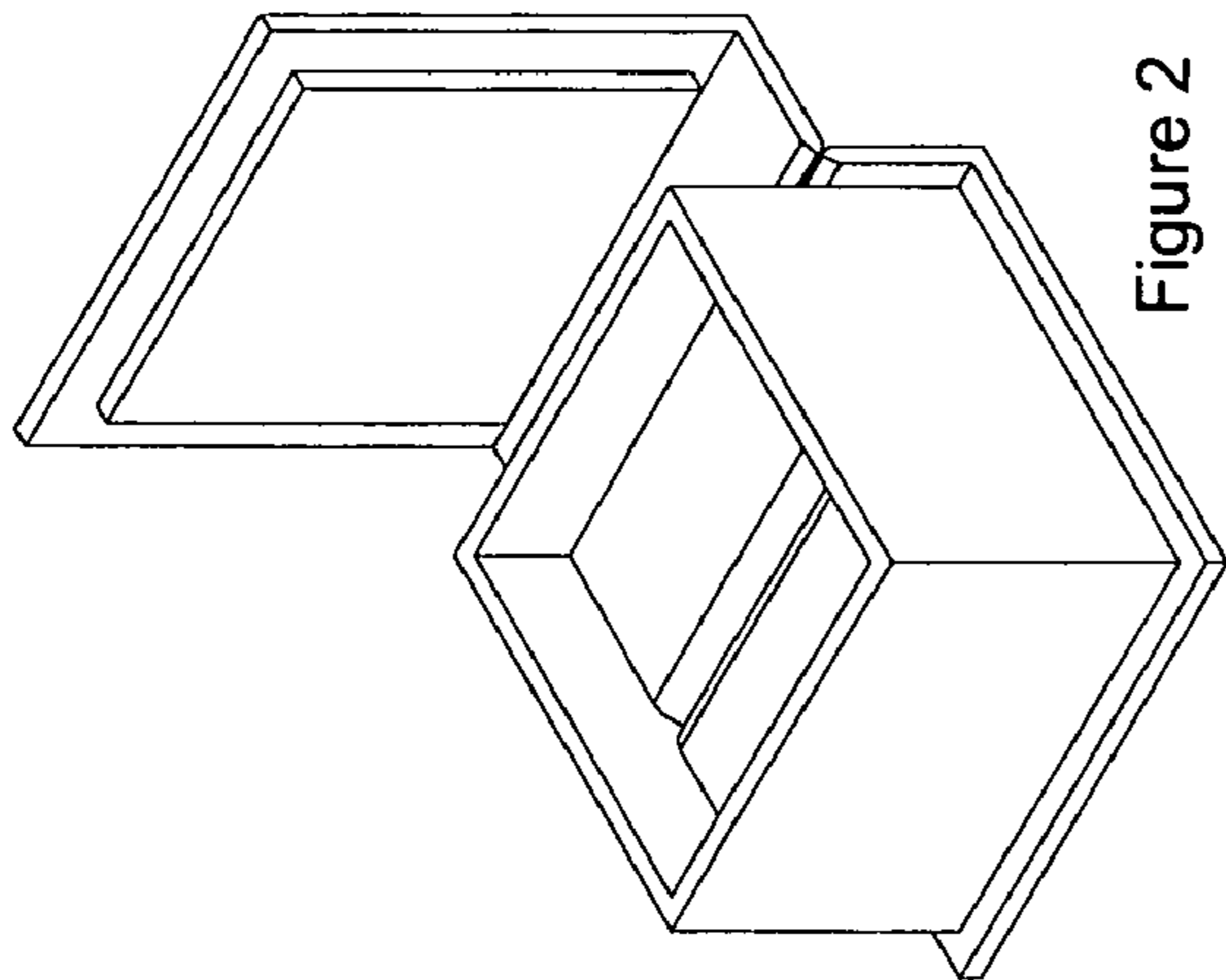


Figure 2

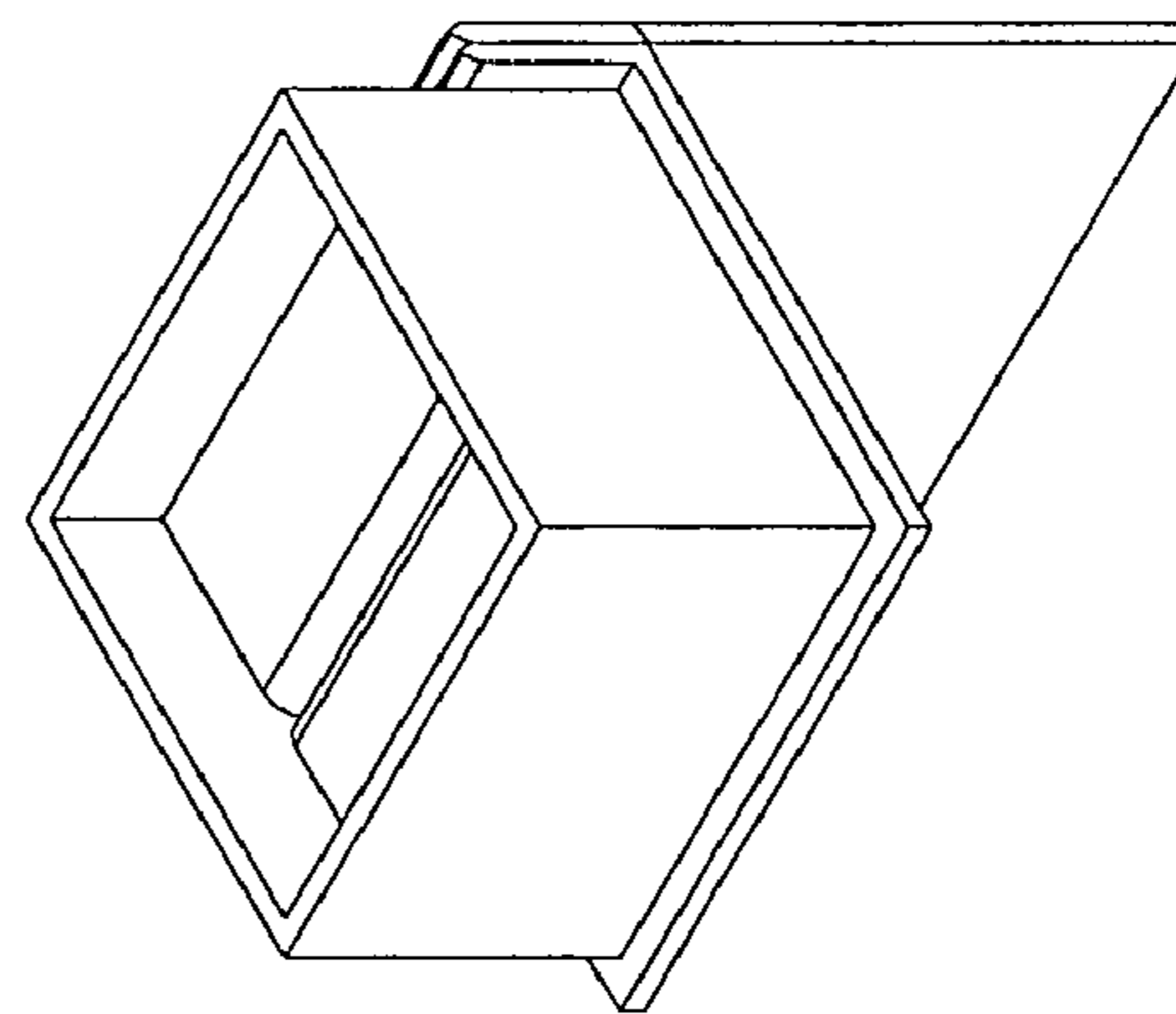


Figure 4

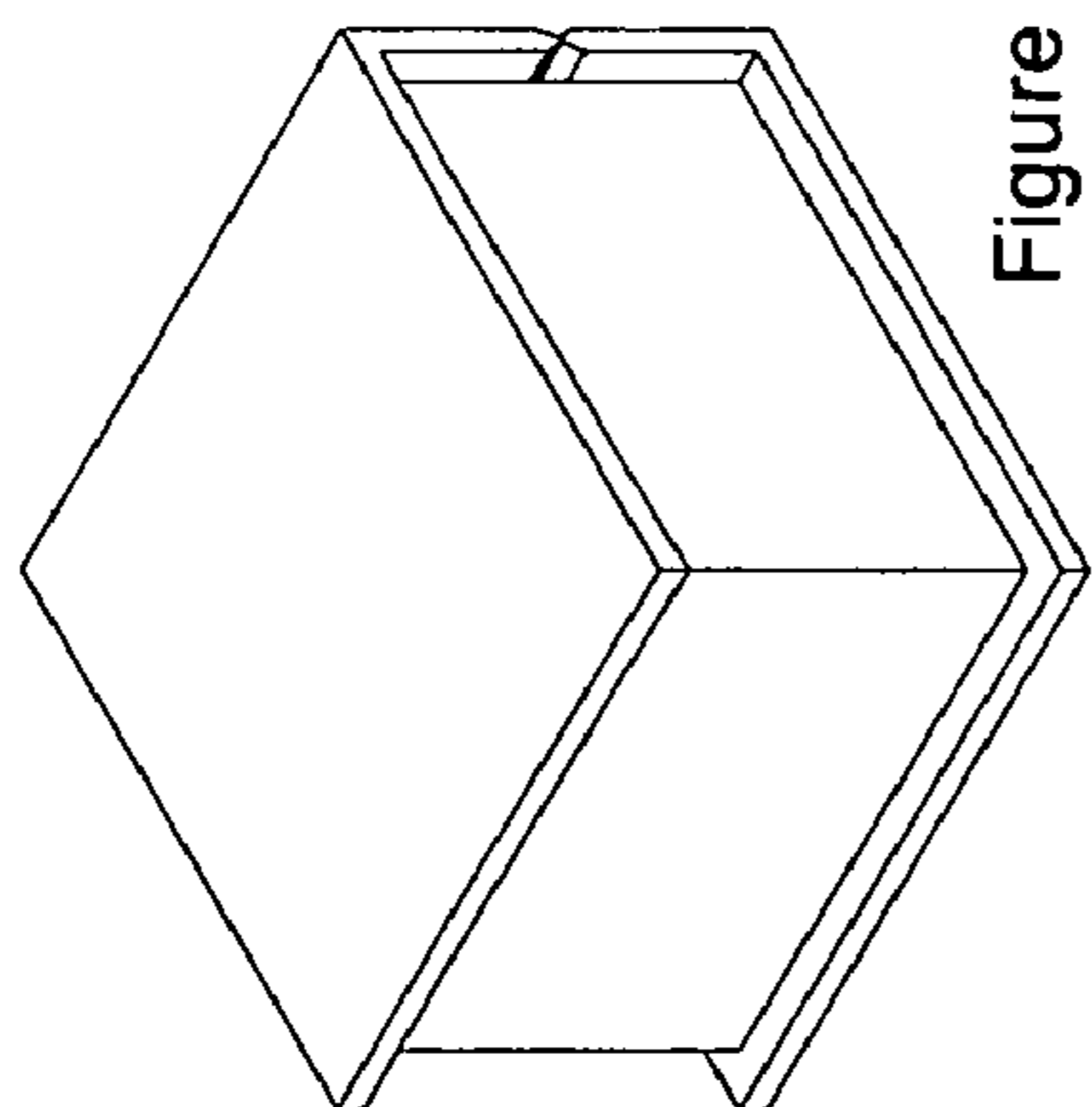


Figure 1

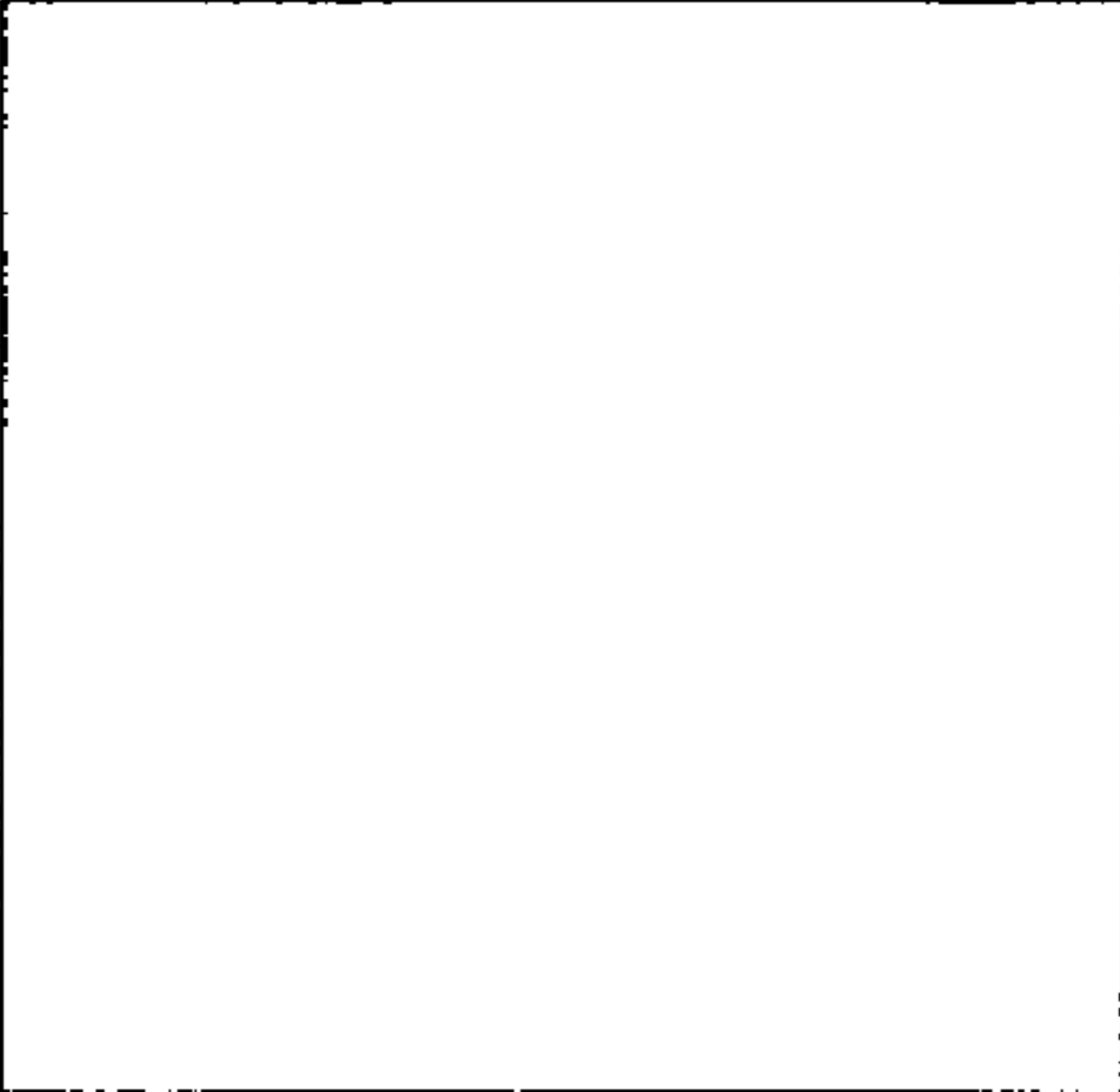


Figure 6

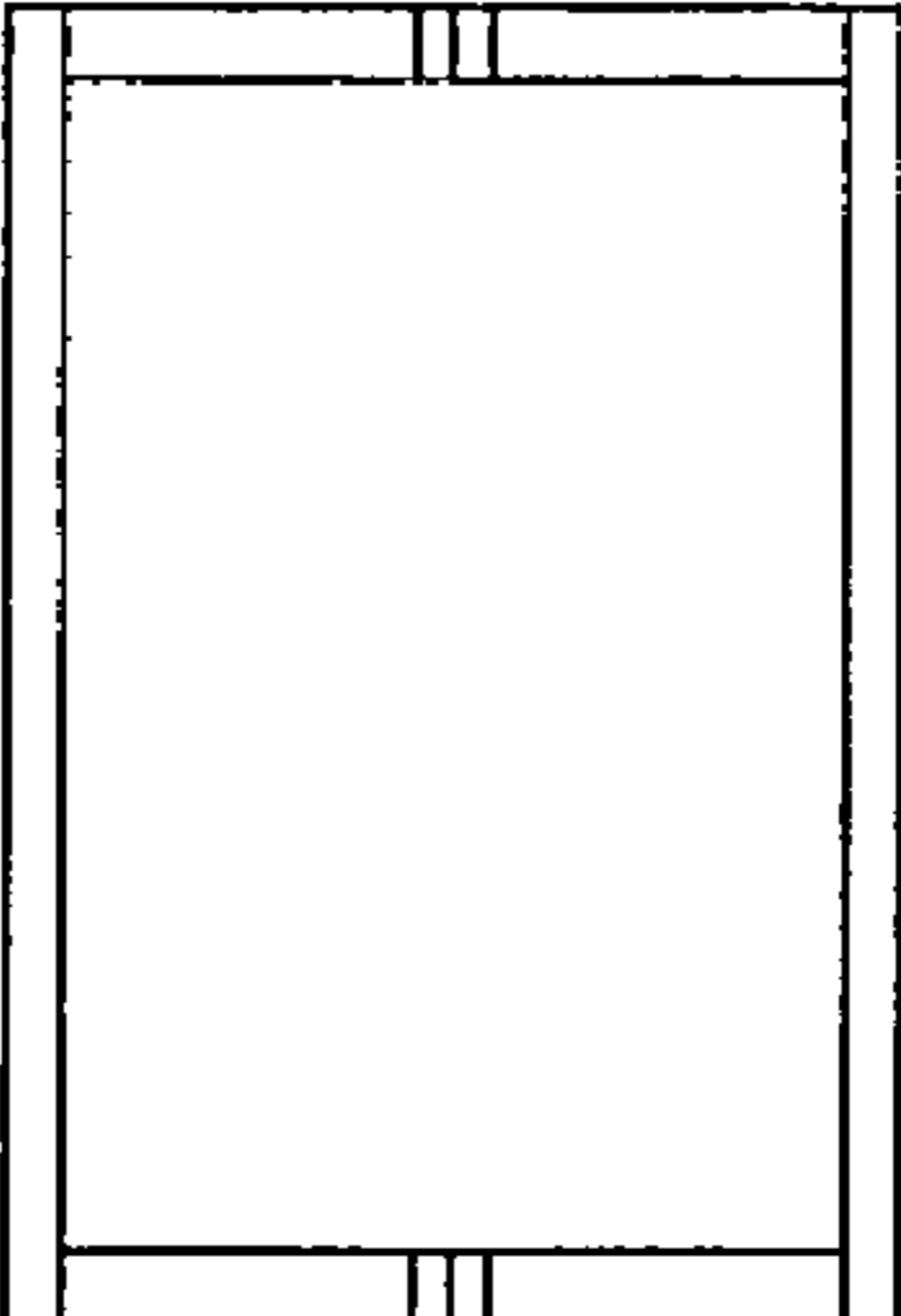


Figure 7

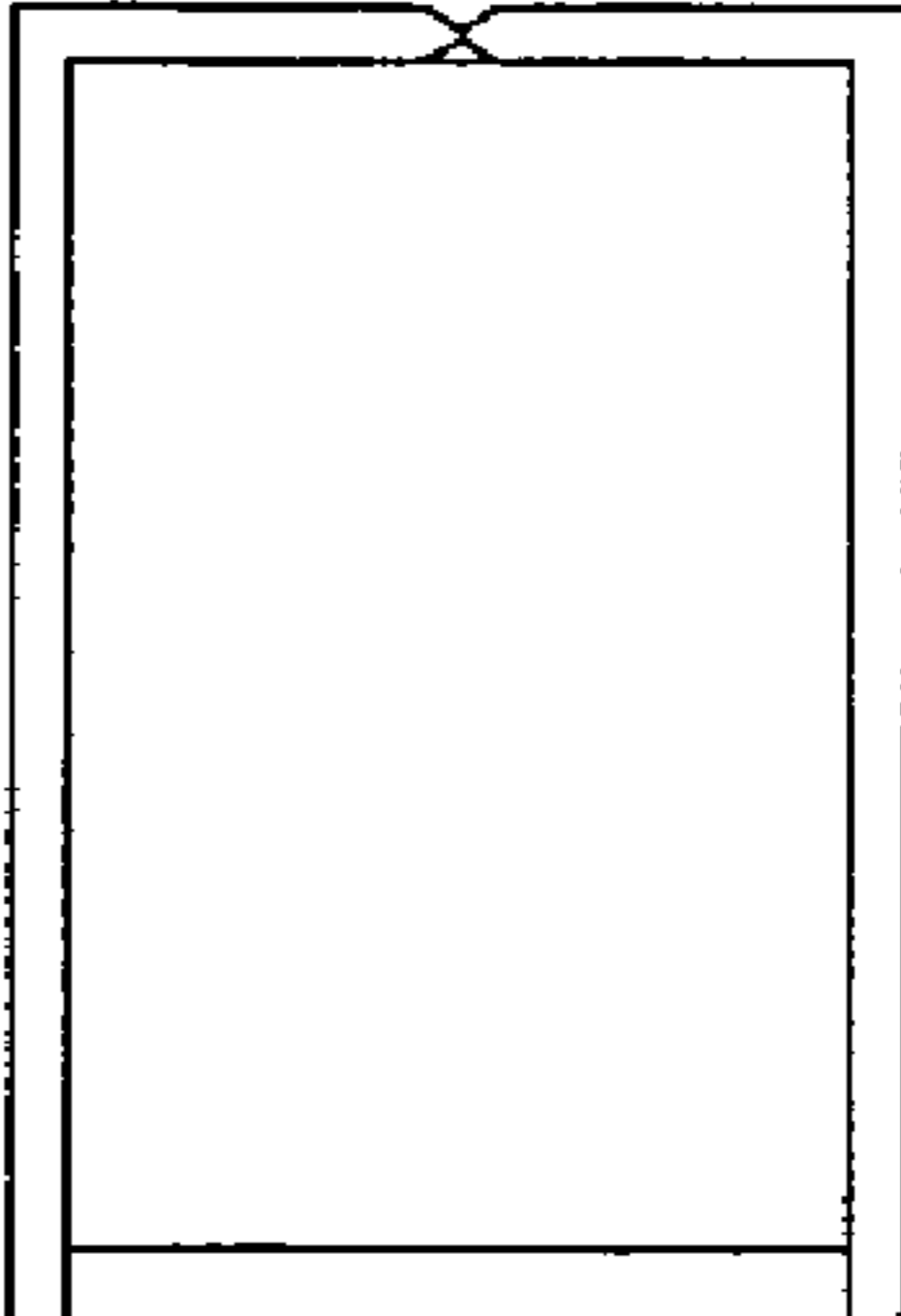


Figure 8