



US00D623509S

(12) **United States Design Patent**
Schloss

(10) **Patent No.:** **US D623,509 S**

(45) **Date of Patent:** **** *Sep. 14, 2010**

(54) **CORNER GUARD**

(76) Inventor: **Ben Schloss**, c/o SF Enterprises, 1201
Old County Rd., Unit #4, Belmont, CA
(US) 94002

(**) Term: **14 Years**

(21) Appl. No.: **29/314,462**

(22) Filed: **Apr. 2, 2009**

(51) **LOC (9) Cl.** **08-09**

(52) **U.S. Cl.** **D8/403**

(58) **Field of Classification Search** D8/400-499;
D9/456; D34/19; D6/491, 439, 445; D3/318-319,
D3/294-298, 321, 323, 905; 52/287.1; 312/215,
312/271, 289, 290, 301, 328, 330.1, 332,
312/334.1, 348.4, 400, 334.7, 350, 351, 332.1,
312/334.44; 40/666, 661.03

See application file for complete search history.

(56) **References Cited**

U.S. PATENT DOCUMENTS

2,668,745	A *	2/1954	Metcalf	312/334.32
3,186,364	A *	6/1965	Angelus et al.	108/146
4,725,084	A *	2/1988	Catricola	292/81
D336,033	S *	6/1993	Welsh	D8/403
D394,198	S *	5/1998	Siler	D8/346
D407,011	S *	3/1999	Boije	D8/381
D410,381	S *	6/1999	Johnson, III	D8/403
D462,259	S *	9/2002	Williams	D8/403
D501,341	S *	2/2005	Cassidy et al.	D6/509
D542,645	S *	5/2007	Kovace	D8/403
D587,939	S *	3/2009	Schloss	D6/491
2005/0055914	A1 *	3/2005	Gilstrap	52/272
2008/0141496	A1 *	6/2008	Peng et al.	16/94 R

* cited by examiner

OTHER PUBLICATIONS

Declaration of Attorney with Regard to Prior Art.

Primary Examiner—Cathron C Brooks

Assistant Examiner—Barbara Fox

(74) *Attorney, Agent, or Firm*—James R. Cypher; Charles R. Cypher

(57) **CLAIM**

The ornamental design for a corner guard, as shown and described.

DESCRIPTION

FIG. 1 is an upper right, front perspective view of a corner guard showing my new design, mounted on a tool box.

FIG. 2 is an upper right, front perspective view of a corner guard showing my new design.

FIG. 3 is a front elevation view of the corner guard of FIG. 1.

FIG. 4 is a right side elevation view of the corner guard of FIG. 1.

FIG. 5 is a rear side elevation view of the corner guard of FIG. 1.

FIG. 6 is a left side elevation view of the corner guard of FIG. 1.

FIG. 7 is a top plan view of the corner guard of FIG. 1.

FIG. 8 is a bottom plan view of the corner guard of FIG. 1; and,

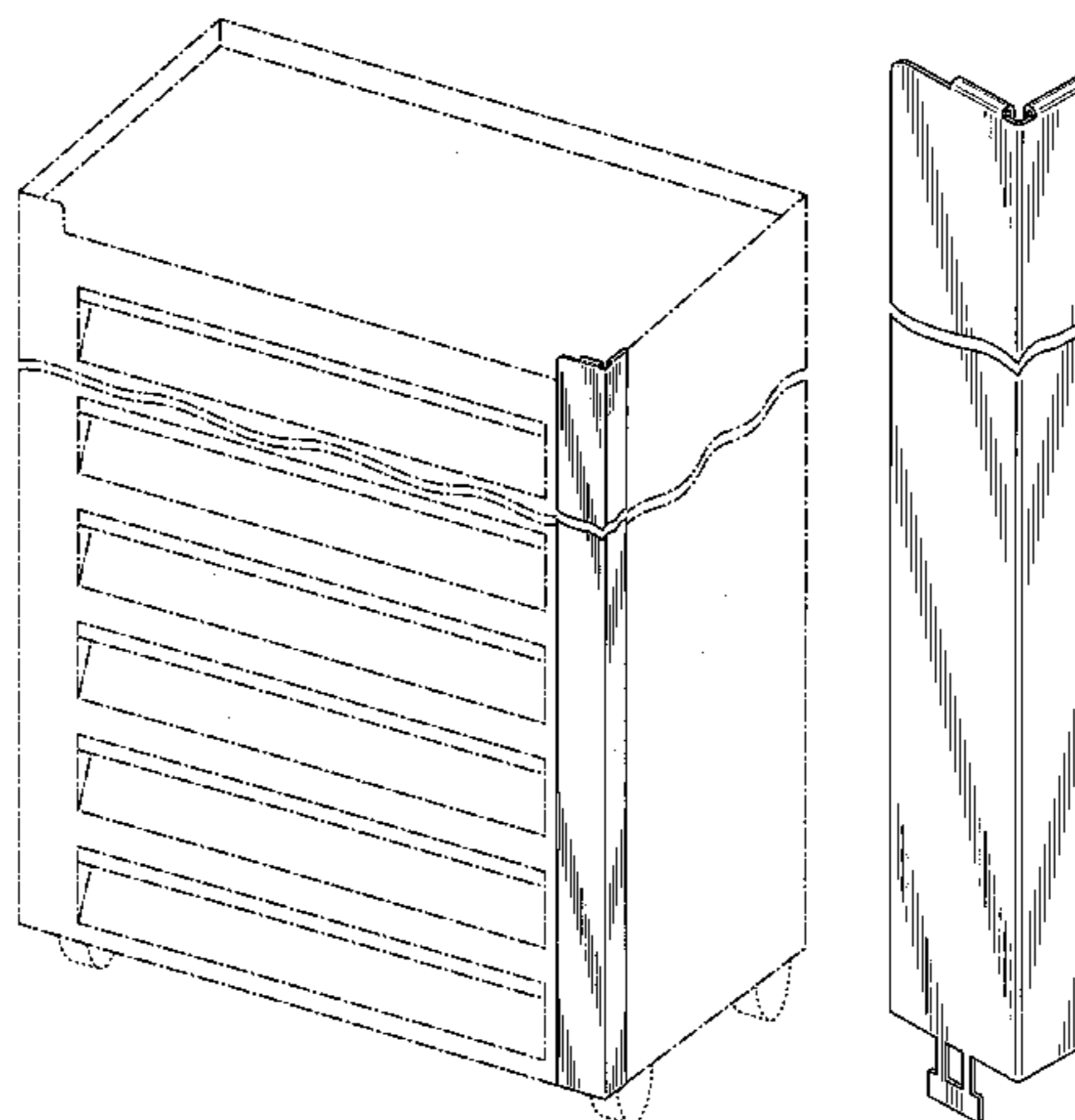
FIG. 9 is a partial lower left rear perspective view of the corner guard of FIG. 1, shown mounted on a drawer, and enlarged for clarity of illustration.

The drawings are broken away to indicate that no particular length is claimed.

The toolbox shown in broken lines is for environmental purposes only and forms no part of the claimed design.

The embodiment shown in the drawings is for a corner guard to be mounted on the right side, front corner of a tool box. The embodiment of the present invention to be mounted on the left side, front corner of a tool box has not been shown as it would be the mirror image of the embodiment shown, and its shape and appearance are evident from the embodiment shown.

1 Claim, 4 Drawing Sheets



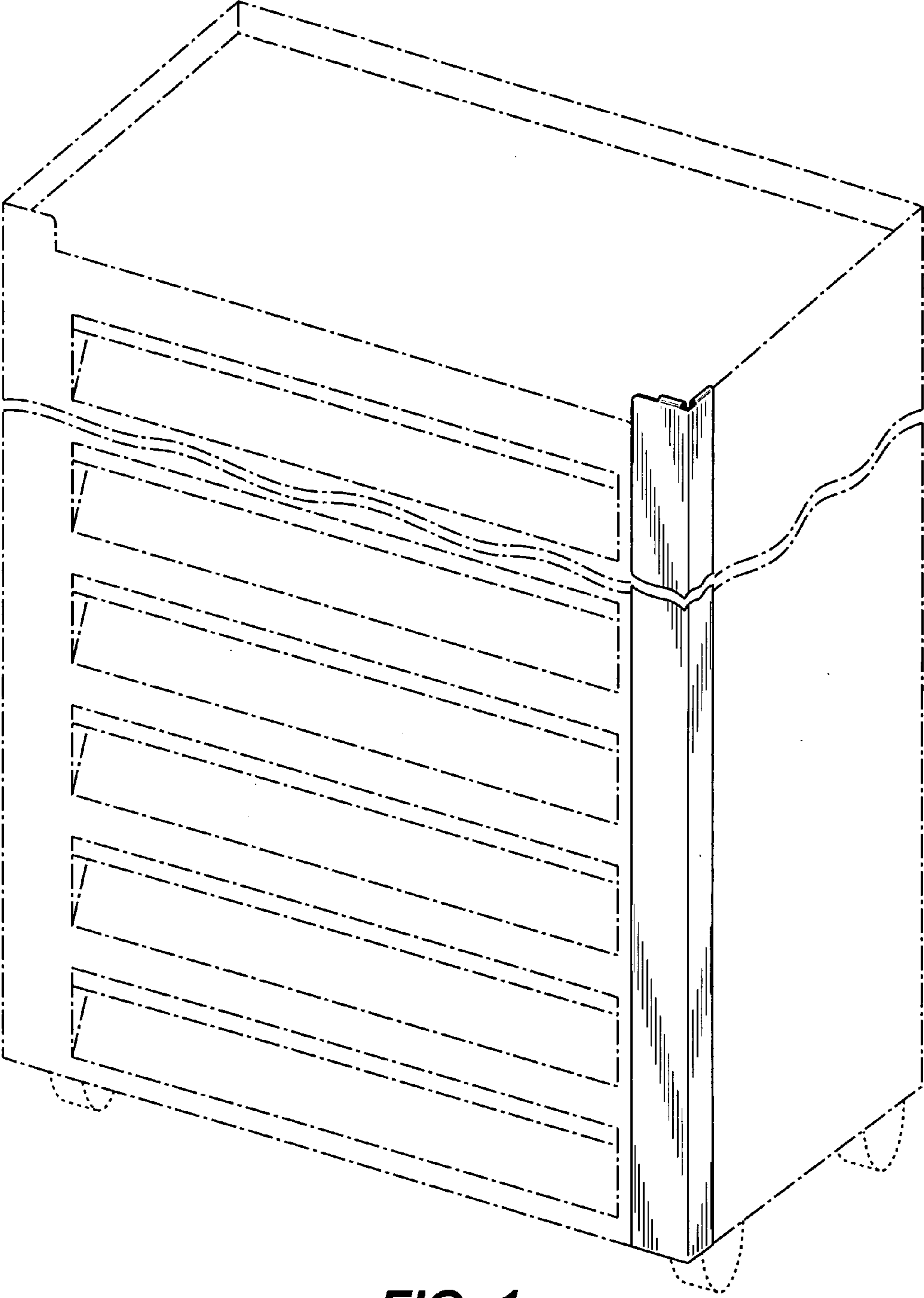


FIG. 1

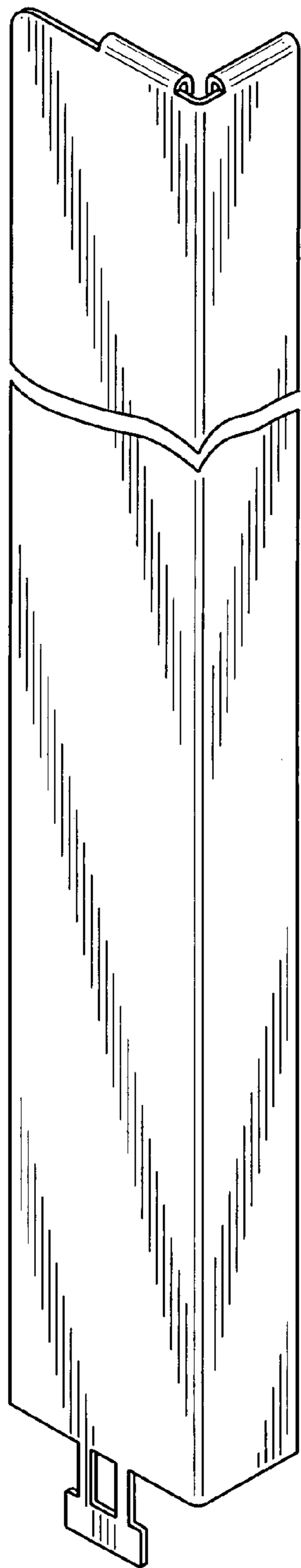


FIG. 2

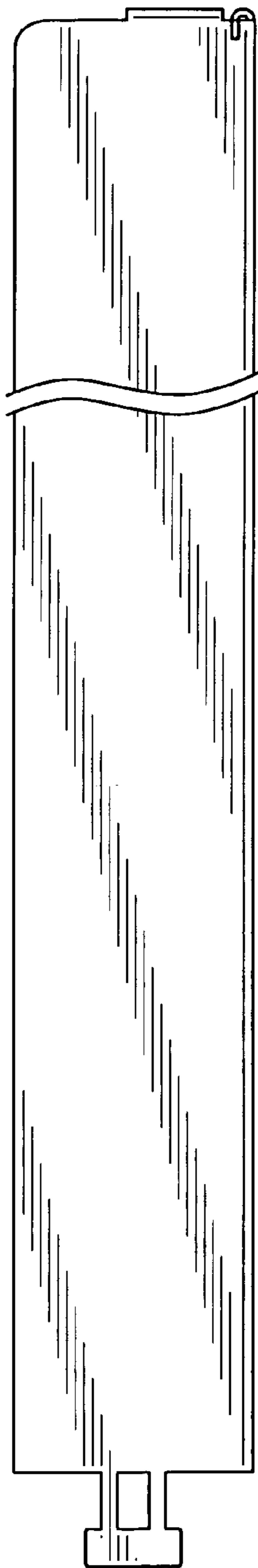


FIG. 3

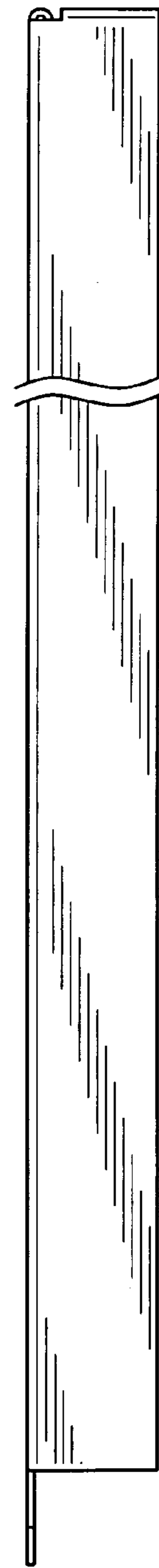


FIG. 4

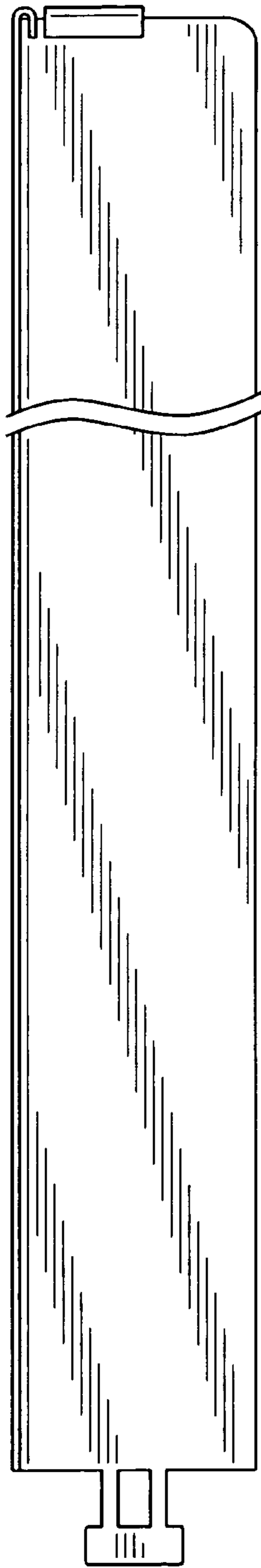


FIG. 5

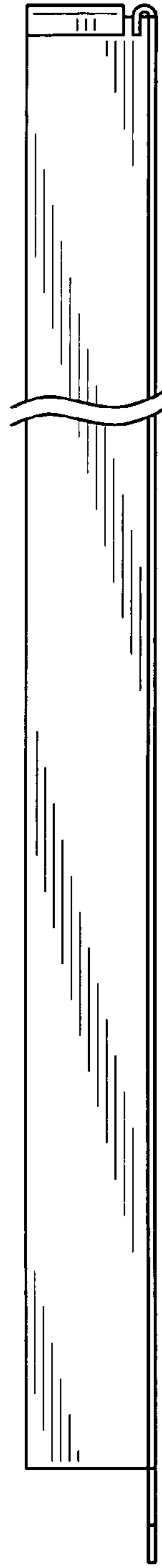


FIG. 6

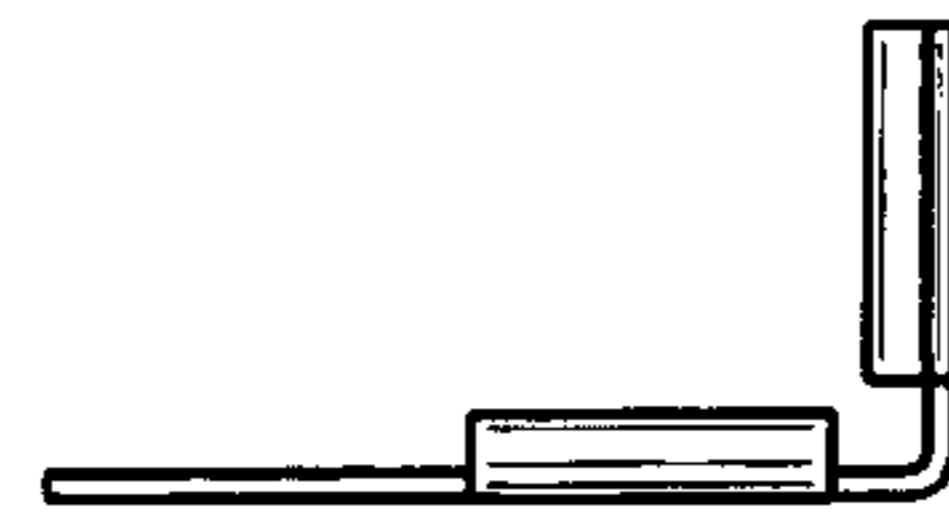


FIG. 7

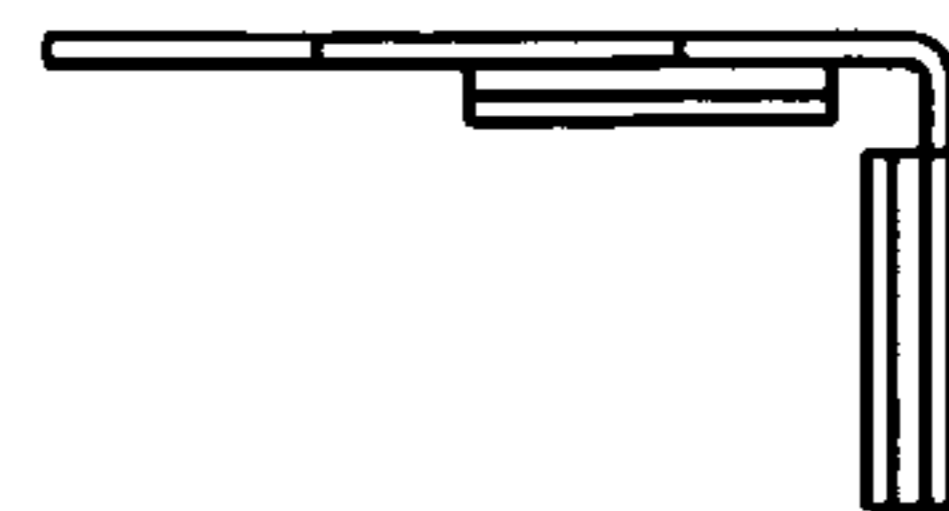


FIG. 8

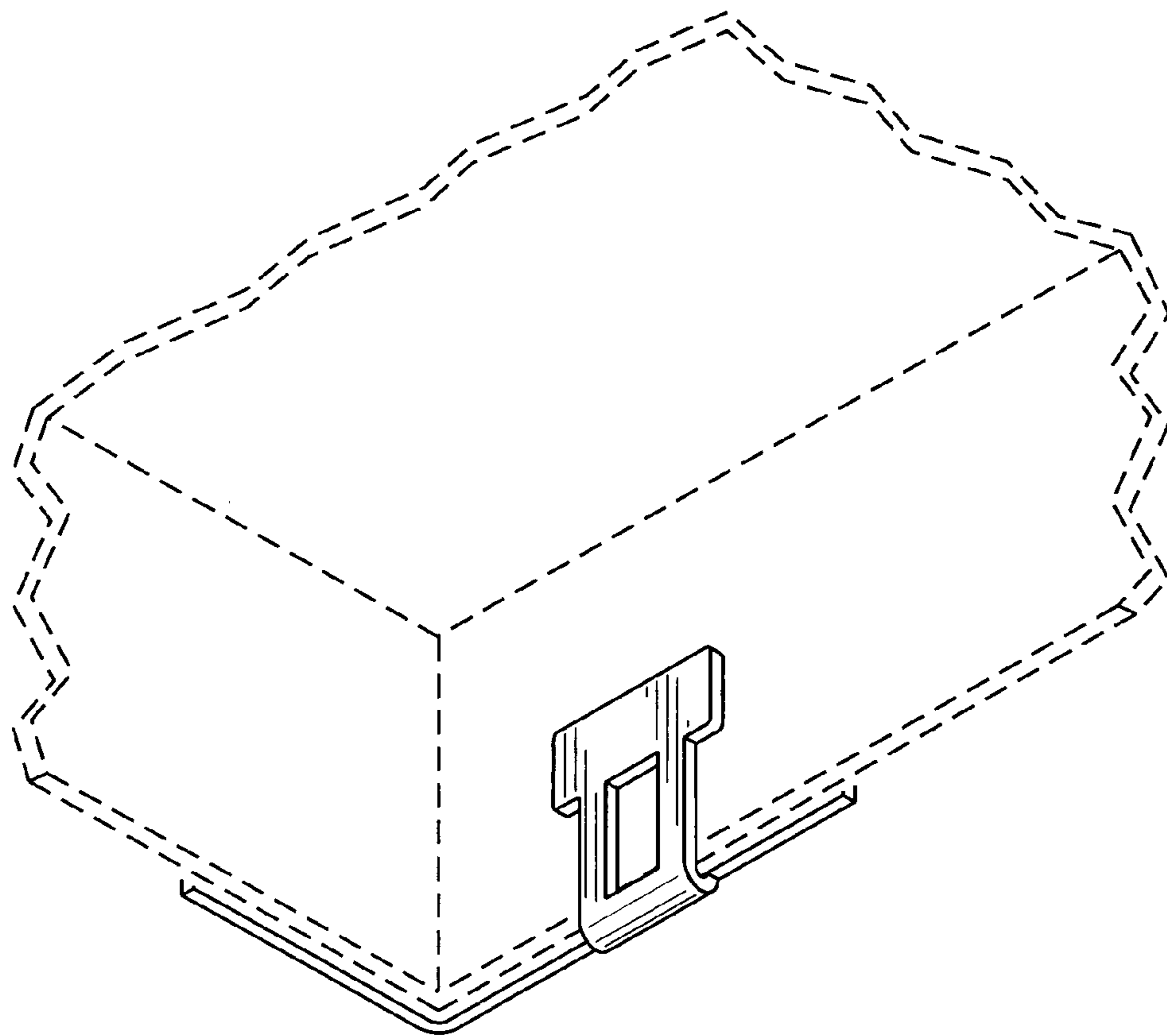


FIG. 9