

US00D623506S

(12) **United States Design Patent**
Ghatikar et al.

(10) **Patent No.:** **US D623,506 S**
(45) **Date of Patent:** **** Sep. 14, 2010**

(54) **TWO-PIECE CAP ASSEMBLY FOR
MODULAR PANEL MOUNTING SYSTEMS**

(75) Inventors: **Venugopal R. Ghatikar**, Salt Lake City, UT (US); **William Gatti**, Sandy, UT (US); **Michael Damen**, Rochetoirin (FR); **Guillaume Martin**, Rochetoirin (FR)

(73) Assignee: **3form, Inc.**, Salt Lake City, UT (US)

(**) Term: **14 Years**

(21) Appl. No.: **29/339,988**

(22) Filed: **Jul. 10, 2009**

Related U.S. Application Data

(63) Continuation-in-part of application No. 12/028,584, filed on Feb. 8, 2008.

(51) **LOC (9) Cl.** **08-08**

(52) **U.S. Cl.** **D8/382**

(58) **Field of Classification Search** D8/382,
D8/387, 354, 349; 52/786.1, 204.7, 208,
52/786.13; 411/402, 403
See application file for complete search history.

(56) **References Cited**

U.S. PATENT DOCUMENTS

D58,666	S	*	8/1921	Eustis	D8/387
2,180,633	A		11/1939	Holt		
4,187,892	A		2/1980	Simmons		
D347,382	S	*	5/1994	Carruthers	D8/382
5,540,514	A		7/1996	Demars et al.		
D426,146	S	*	6/2000	Bruns et al.	D8/387
6,254,397	B1		7/2001	Elmer		
D563,216	S	*	3/2008	Suehiro et al.	D8/387
D590,703	S	*	4/2009	Suehiro et al.	D8/387
D592,043	S	*	5/2009	Suehiro et al.	D8/387
D593,850	S	*	6/2009	Kullman	D8/387
D611,800	S	*	3/2010	Ghatikar	D8/354
D612,713	S	*	3/2010	Konecnik	D8/387

OTHER PUBLICATIONS

Fluowall Online Brochure, Author Unknown, Guardamiglio, Italy [online] [retrieved on Mar. 25, 2008], 12 pgs. Retrieved from the Internet URL: <http://www.fluowall.it/fluowall.html>.

(Continued)

Primary Examiner—Holly H Baynham

Assistant Examiner—Sheryl Lane

(74) *Attorney, Agent, or Firm*—Workman Nydegger

(57) **CLAIM**

The ornamental design for a two-piece cap assembly for modular panel mounting systems design, as shown and described.

DESCRIPTION

FIG. 1 is an exploded environmental perspective view of a two-piece cap assembly for modular panel mounting systems in an exemplary environment;

FIG. 2 is an assembled environmental right elevation view thereof in an exemplary environment;

FIG. 3 is a top environmental perspective assembled view thereof;

FIG. 4 is an exploded environmental perspective view thereof in an exemplary environment;

FIG. 5 is a top environmental perspective assembled view thereof in an exemplary environment;

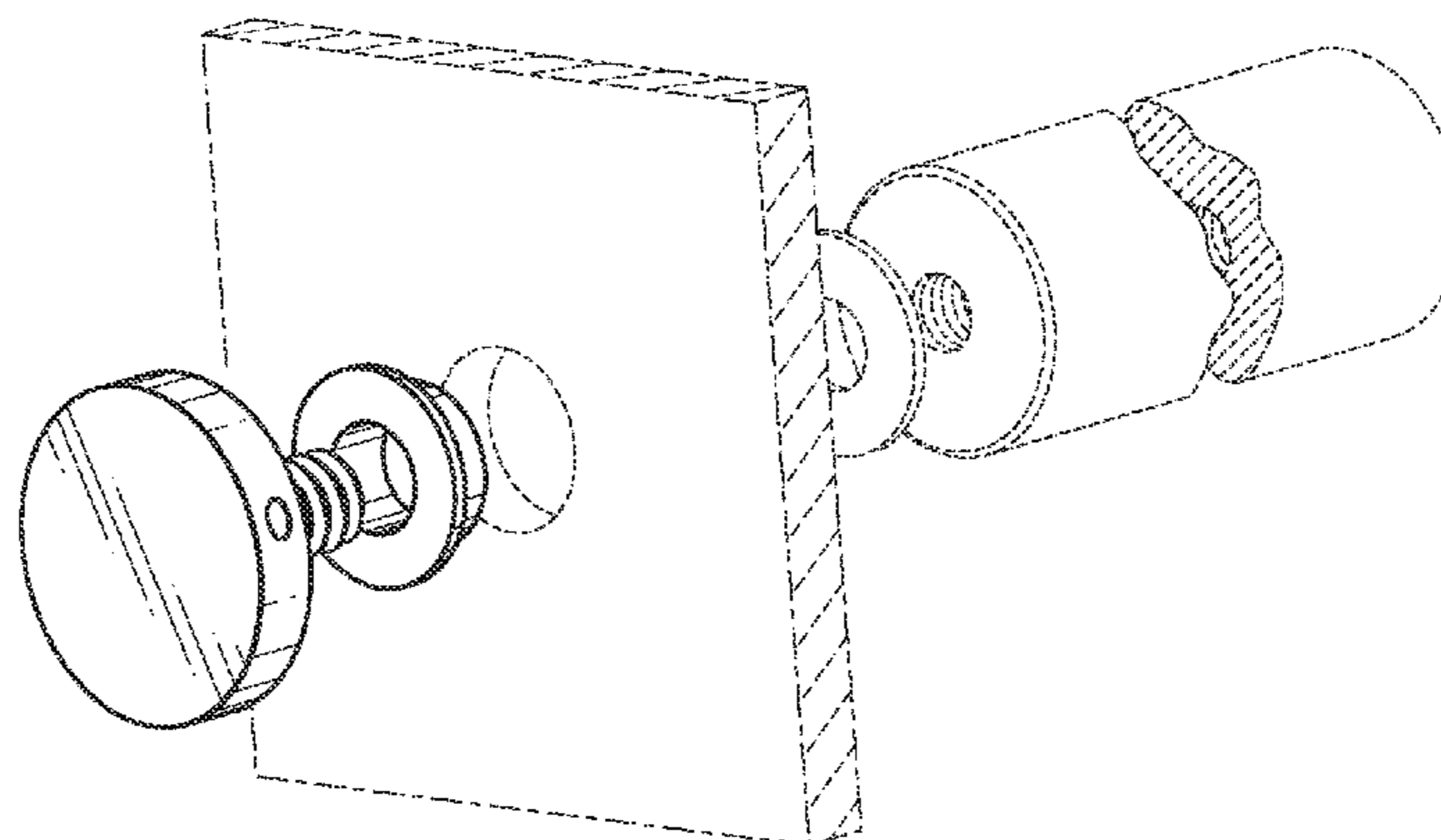
FIG. 6 is a frontal elevation view thereof;

FIG. 7 is a rear elevation view thereof; and,

FIG. 8 is a right elevation view thereof.

The broken lines showings of the figures is for the purpose of illustrating environment and forms no part of the claimed design.

1 Claim, 3 Drawing Sheets

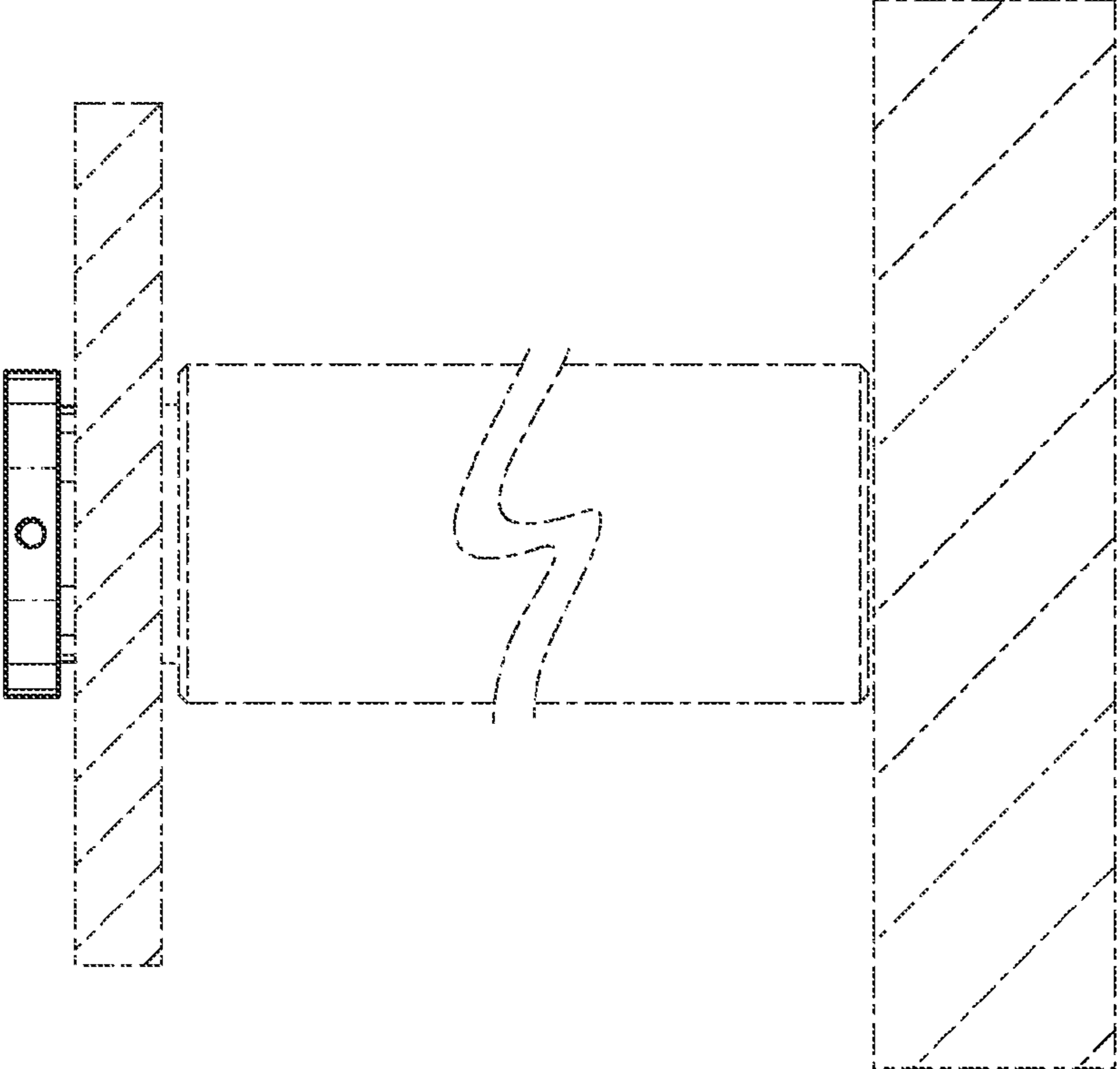
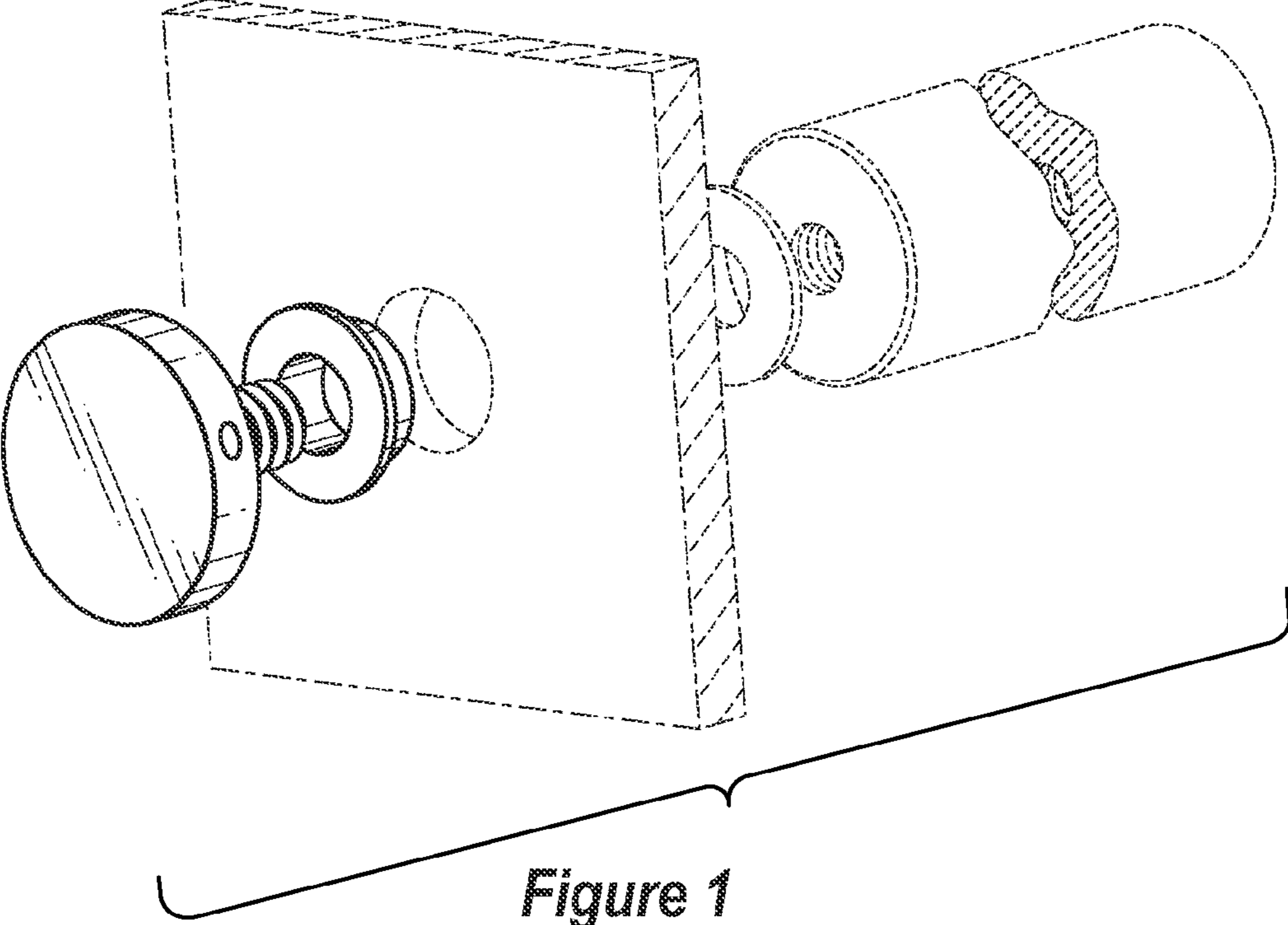


OTHER PUBLICATIONS

Sorbetti Online Display Brochure, Author Unknown, [online] [retrieved on Mar. 25, 2008], 45 pgs. Retrieved from the Internet URL: <http://www.bnind.com/sorbetti.asp>.

Sorbetti Online Tech Specs, Author Unknown, [online] [retrieved on Mar. 25, 2008], 12 pgs. Retrieved from the Internet URL: http://www.bnind.com/downloads/pdfs/BN_Sorbetti_TechSpecs.pdf.

* cited by examiner



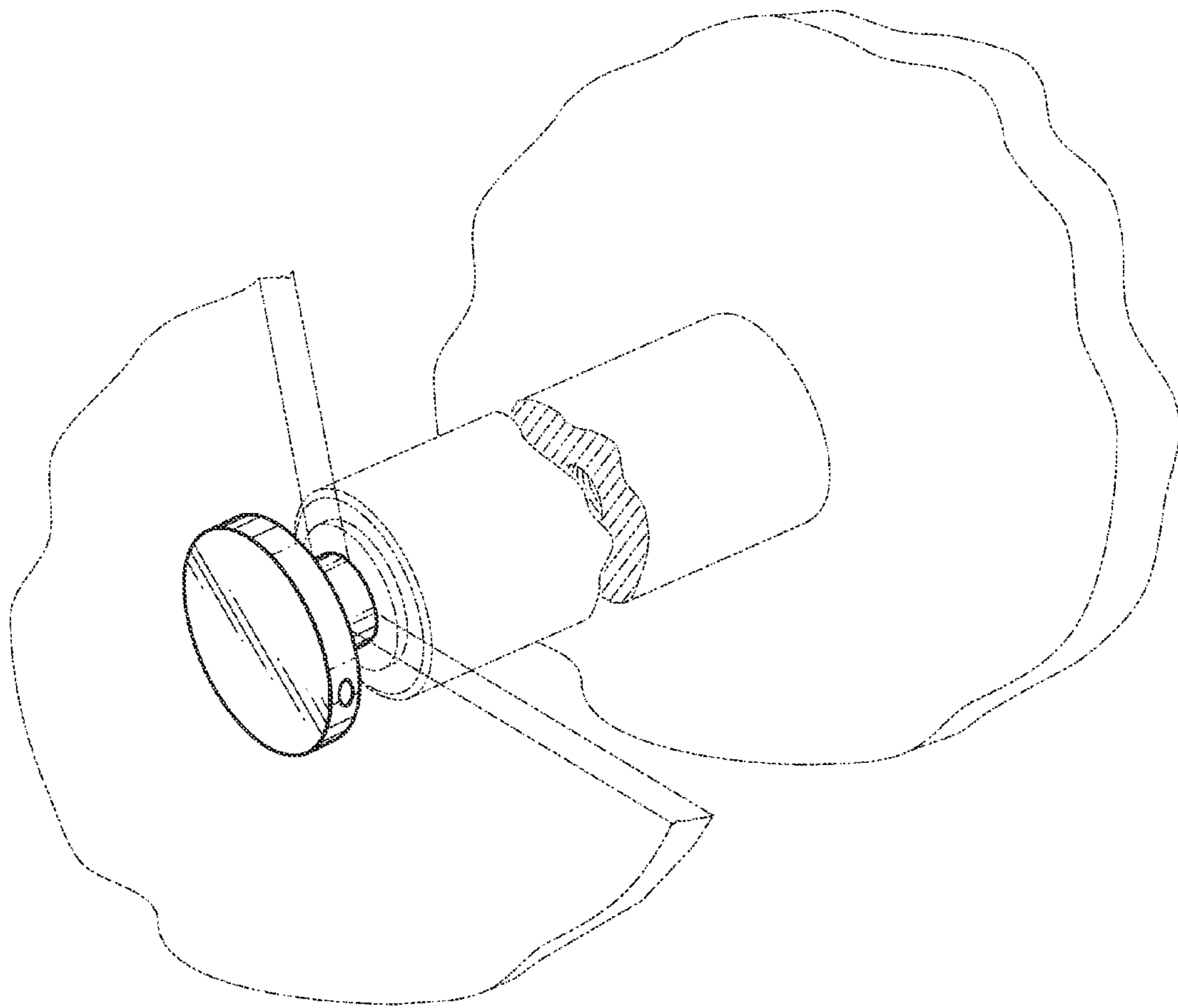


Figure 3

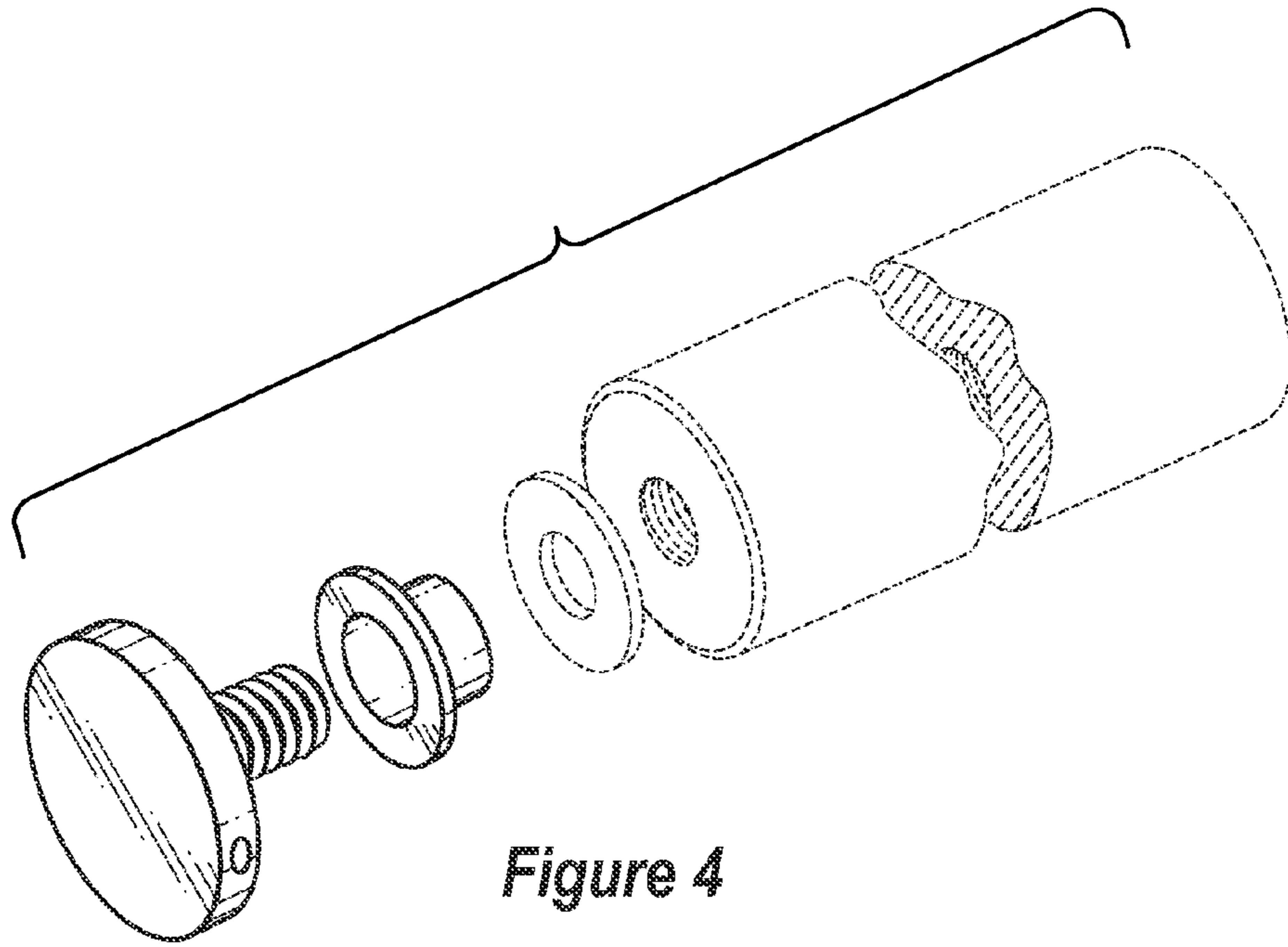


Figure 4

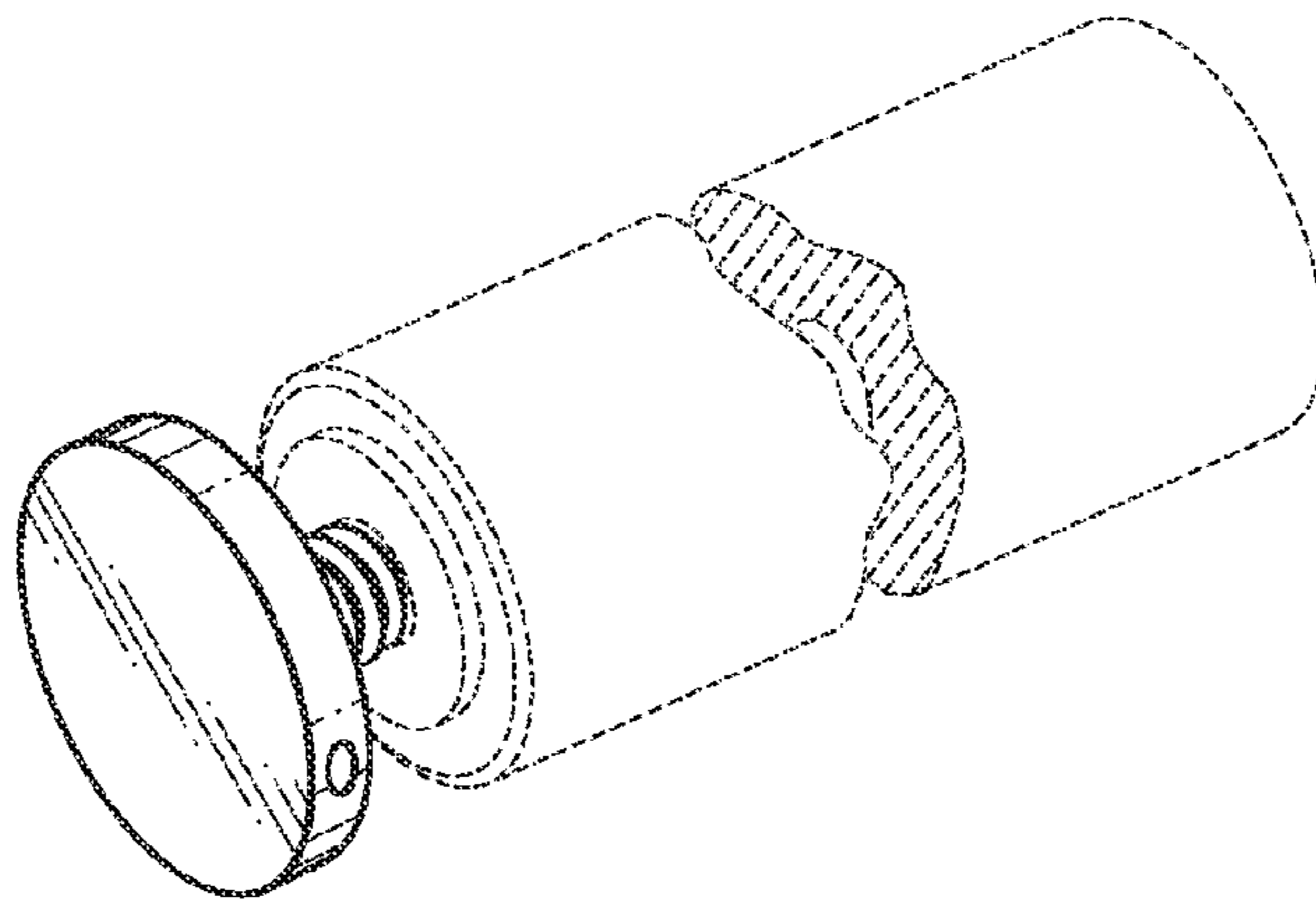


Figure 5

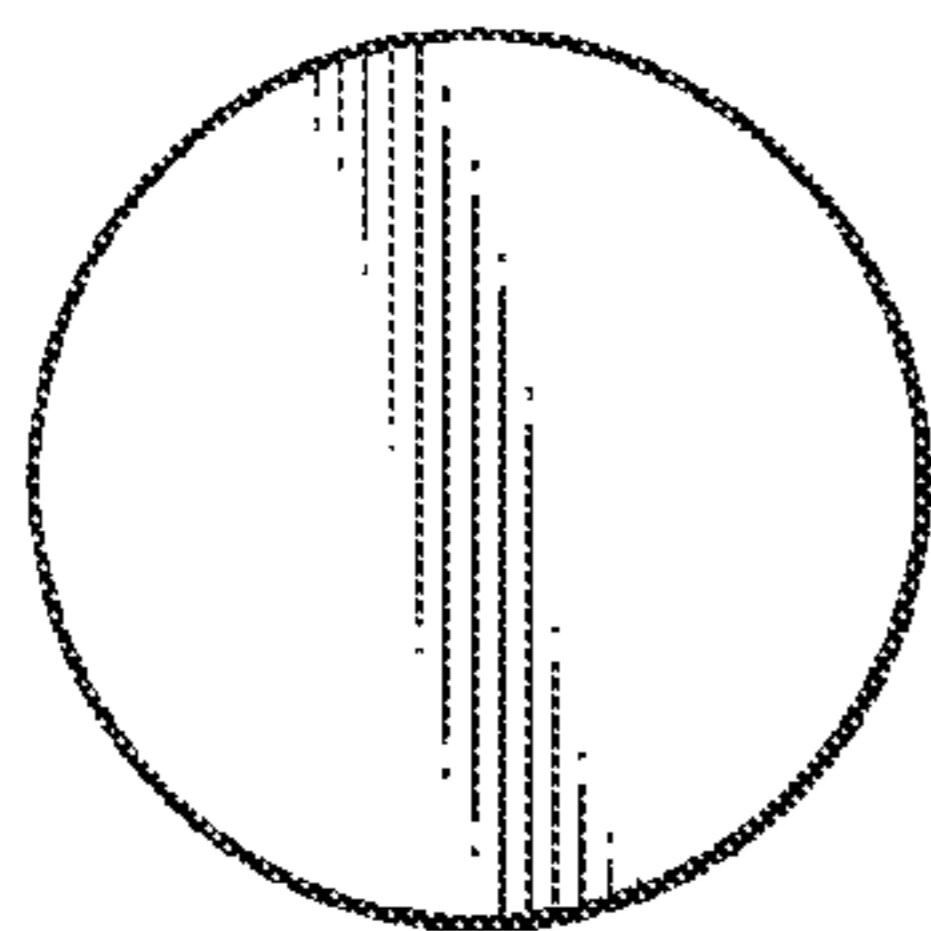


Figure 6

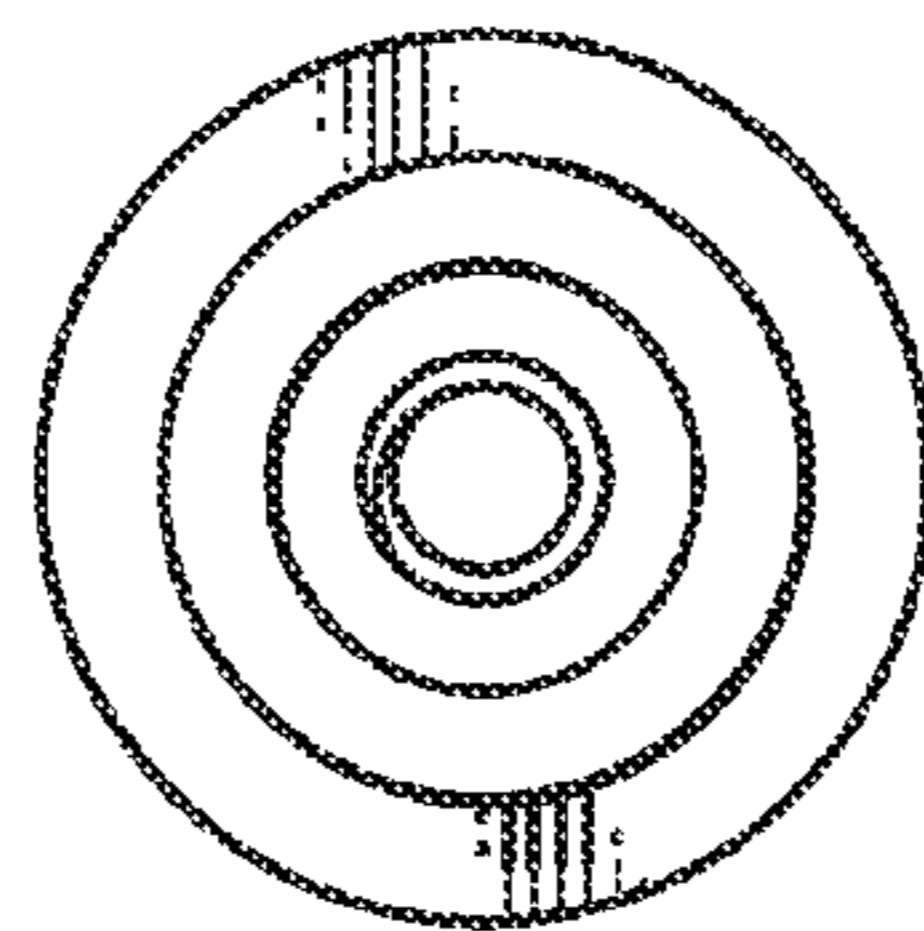


Figure 7

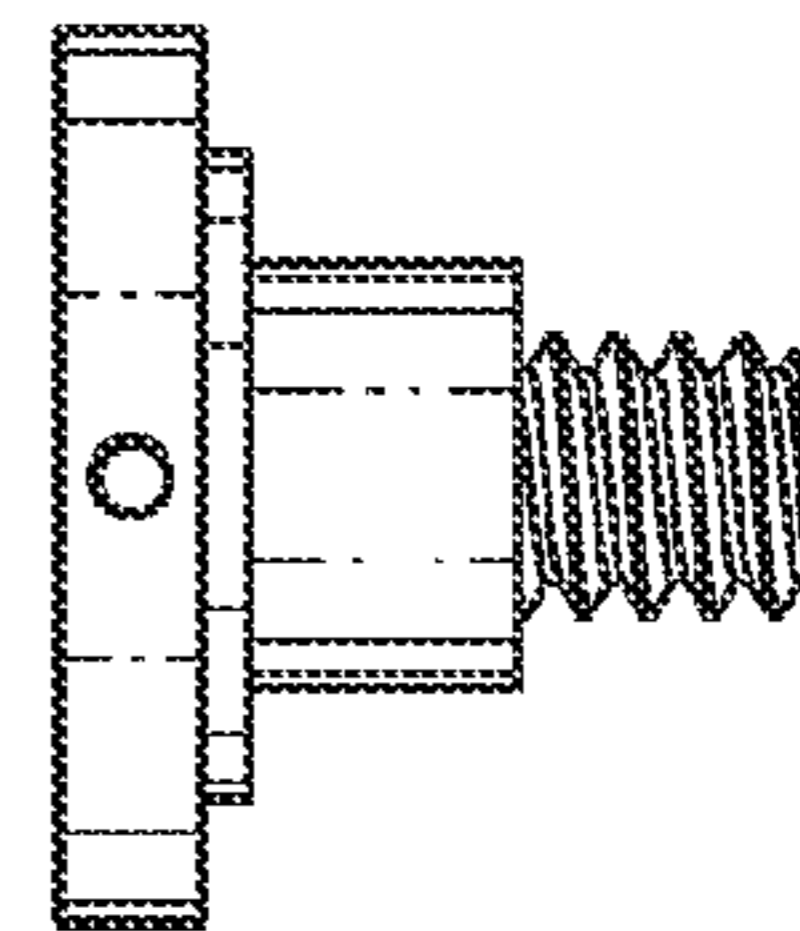


Figure 8