



US00D623505S

(12) **United States Design Patent**
Tu

(10) **Patent No.:** **US D623,505 S**

(45) **Date of Patent:** **** Sep. 14, 2010**

(54) **HOOK**

D500,244 S * 12/2004 Yoshiguchi D8/367
D583,654 S * 12/2008 Uehara D8/367

(75) Inventor: **Wen-Chih Tu**, Gueiren Township,
Tainan County (TW)

* cited by examiner

Primary Examiner—Holly H Baynham

(73) Assignee: **Bei Yu Industrial Co.**, Tainan Hsien
(TW)

(74) *Attorney, Agent, or Firm*—Rosenberg, Klein & Lee

(**) Term: **14 Years**

(57) **CLAIM**

The ornamental design for a hook, as shown and described.

(21) Appl. No.: **29/347,160**

DESCRIPTION

(22) Filed: **Oct. 8, 2009**

FIG. 1 is a perspective view of a hook showing my new design;

(51) **LOC (9) Cl.** **08-05**

FIG. 2 is a front elevational view thereof;

(52) **U.S. Cl.** **D8/367**

FIG. 3 is a rear elevational view thereof;

(58) **Field of Classification Search** D8/367,
D8/373; 248/301, 304, 214–215

FIG. 4 is a left side elevational view thereof;

See application file for complete search history.

FIG. 5 is a right side elevational view thereof;

(56) **References Cited**

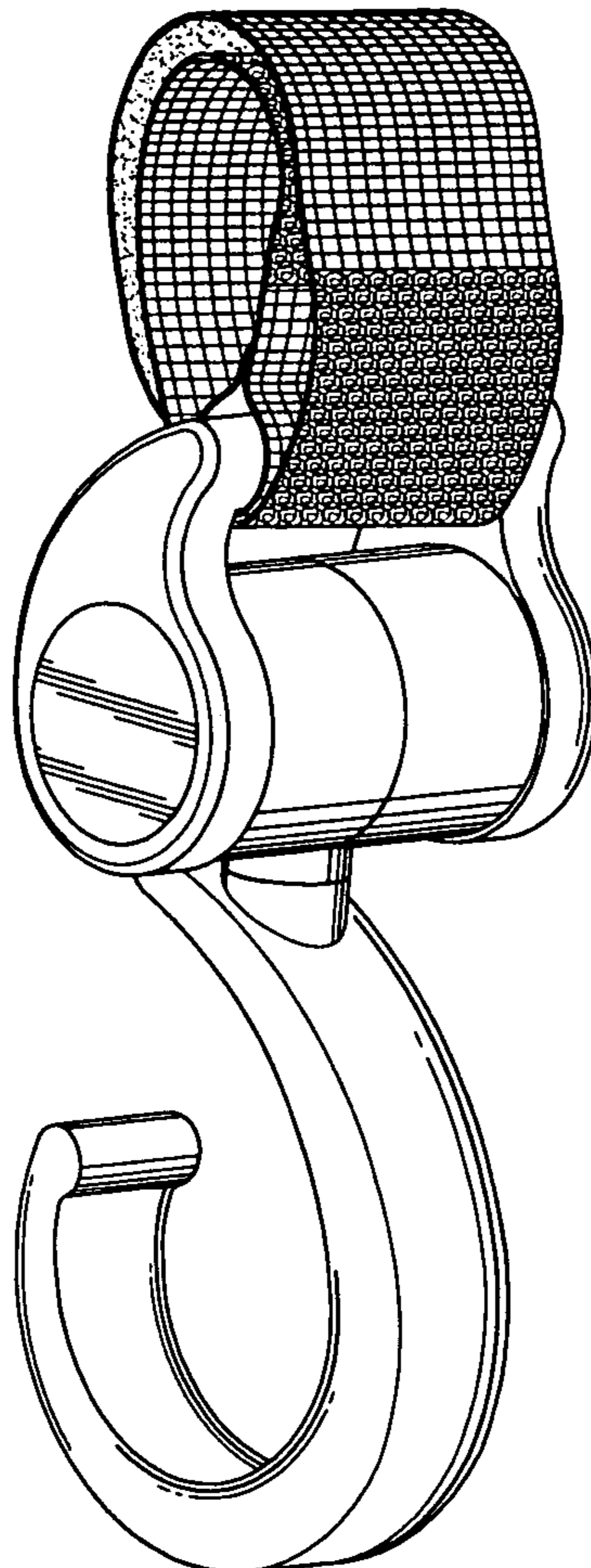
FIG. 6 is a top plan view thereof; and,

FIG. 7 is a bottom plan view thereof.

U.S. PATENT DOCUMENTS

D355,585 S * 2/1995 Terada et al. D8/367

1 Claim, 7 Drawing Sheets



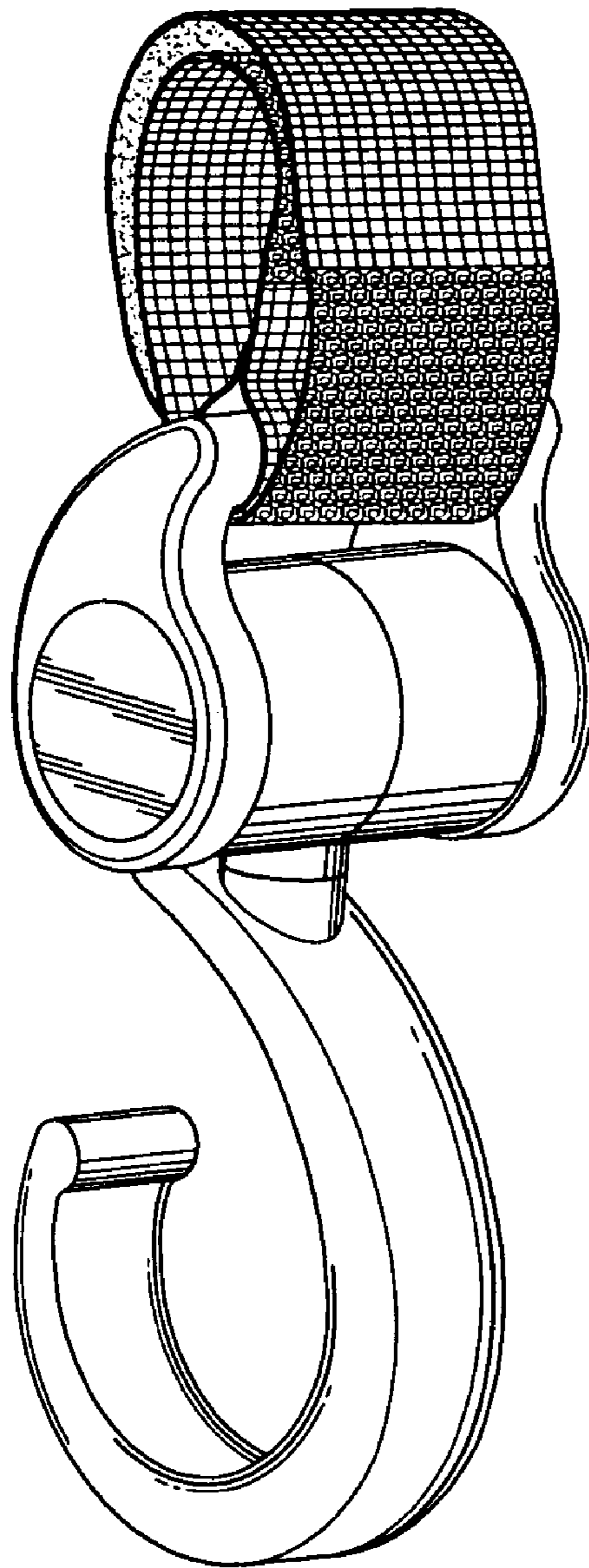


FIG. 1

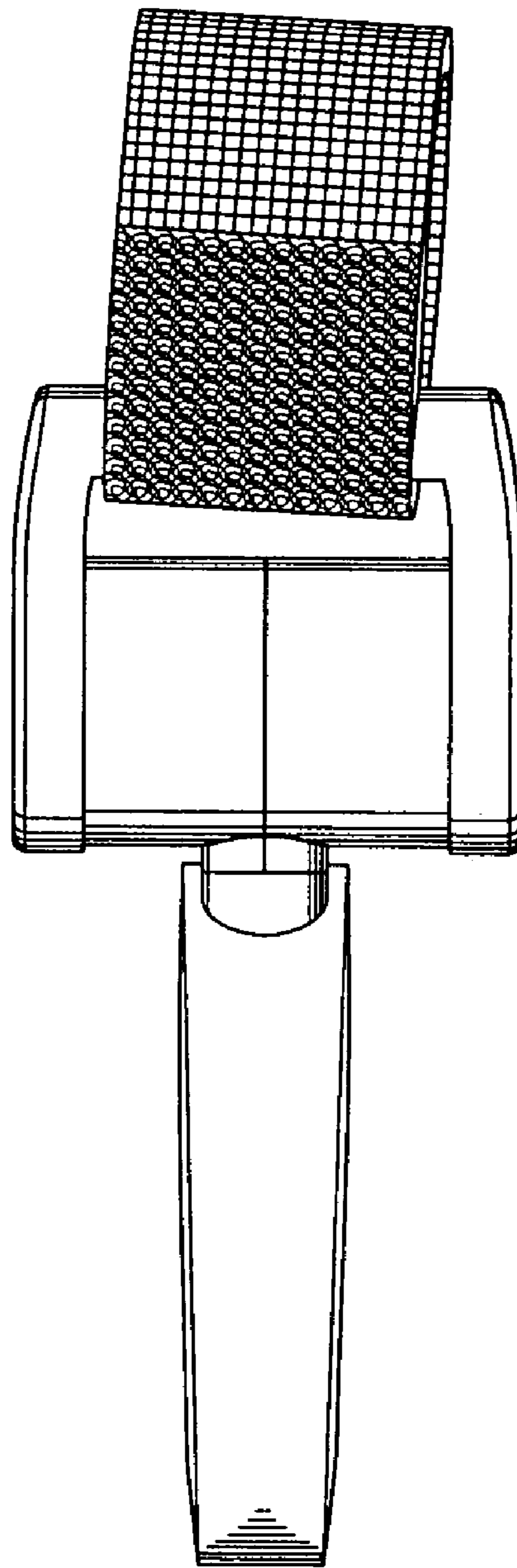


FIG. 2

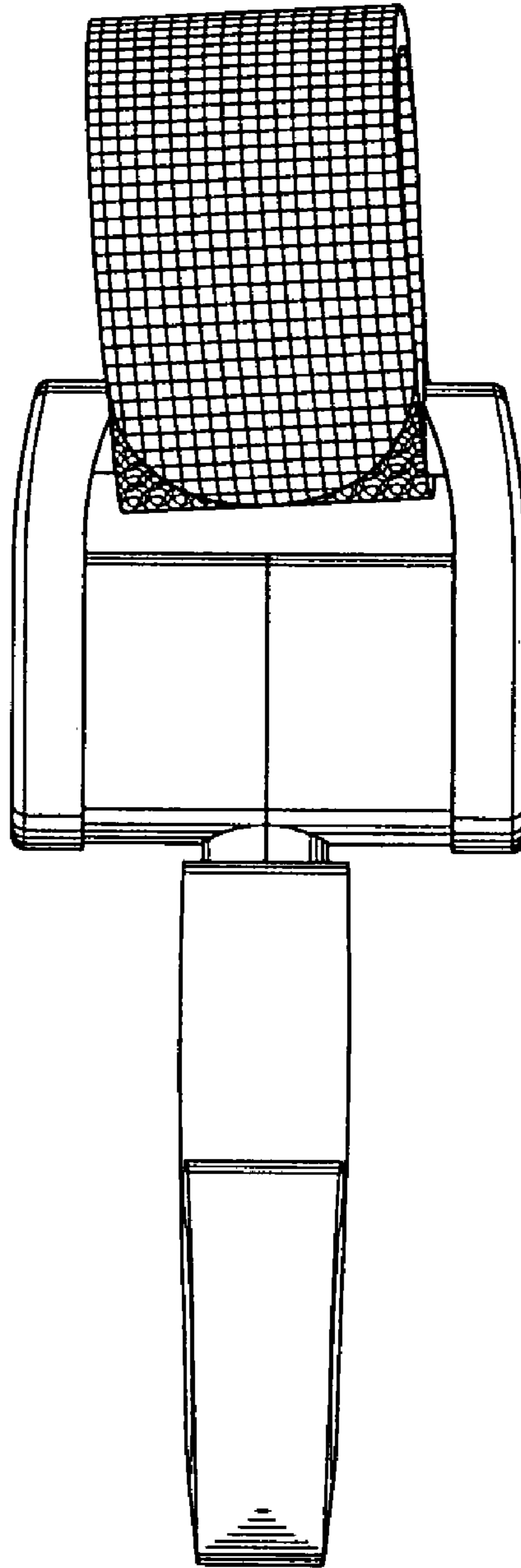


FIG. 3

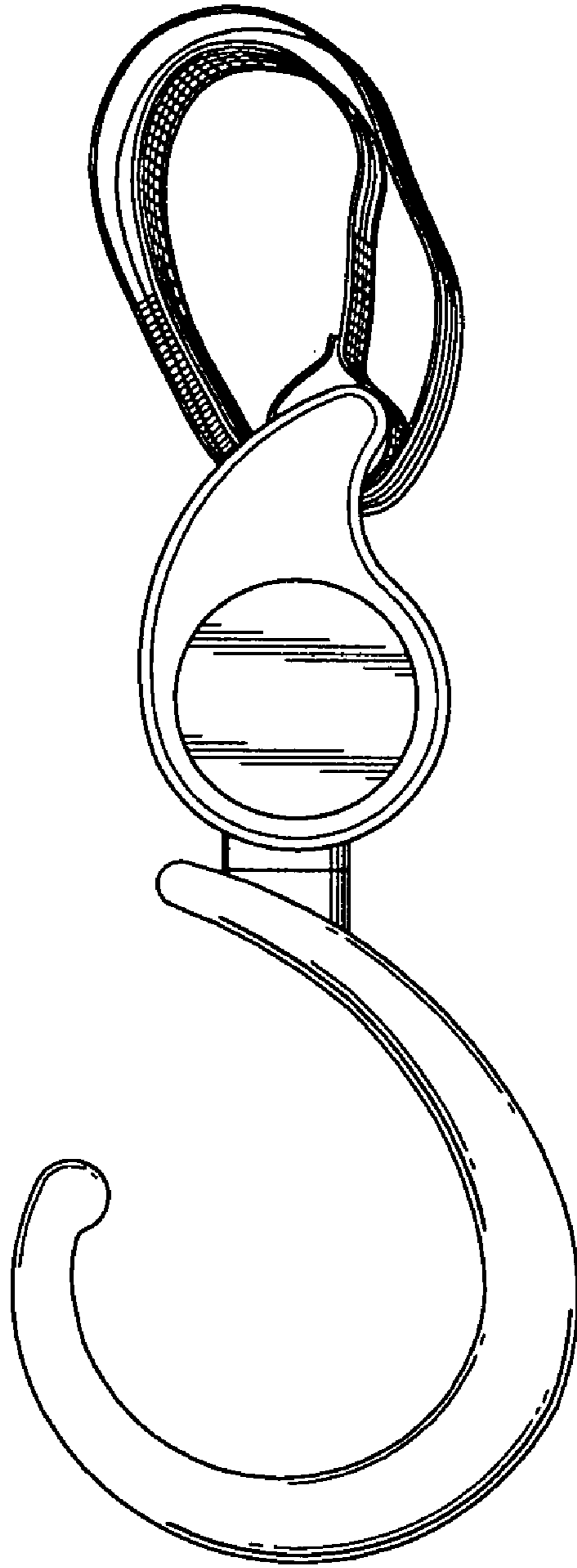


FIG. 4

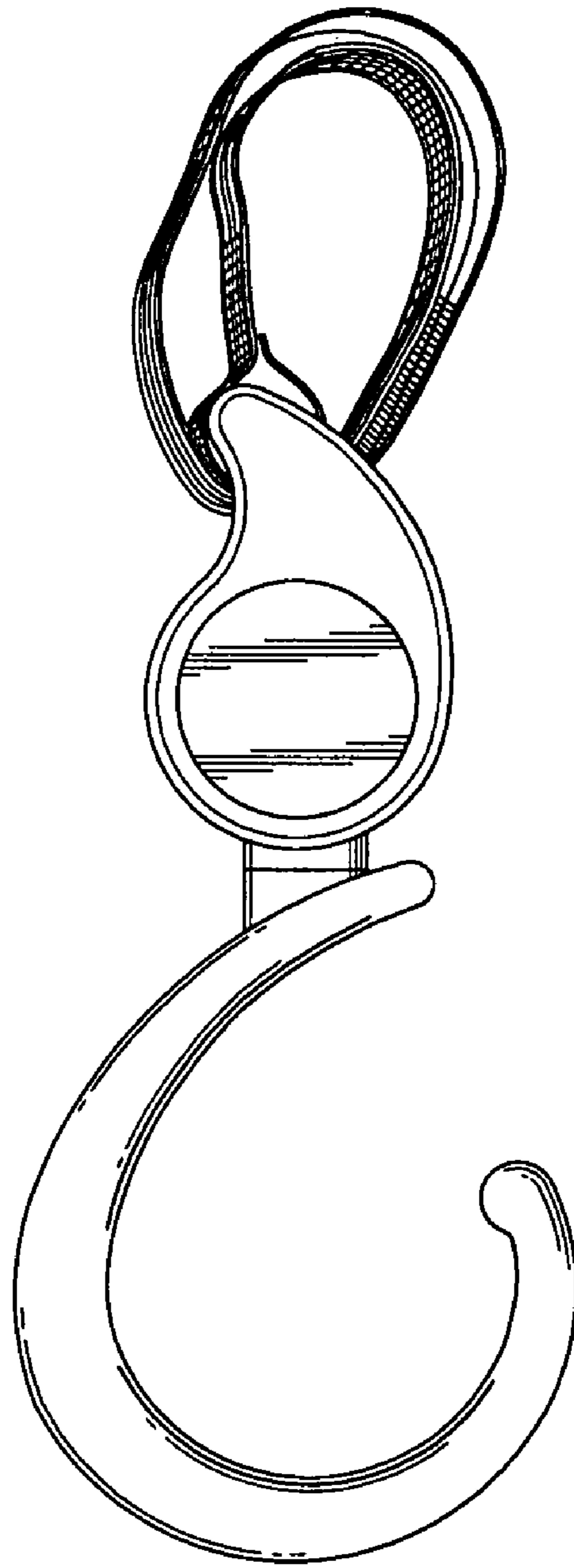


FIG. 5

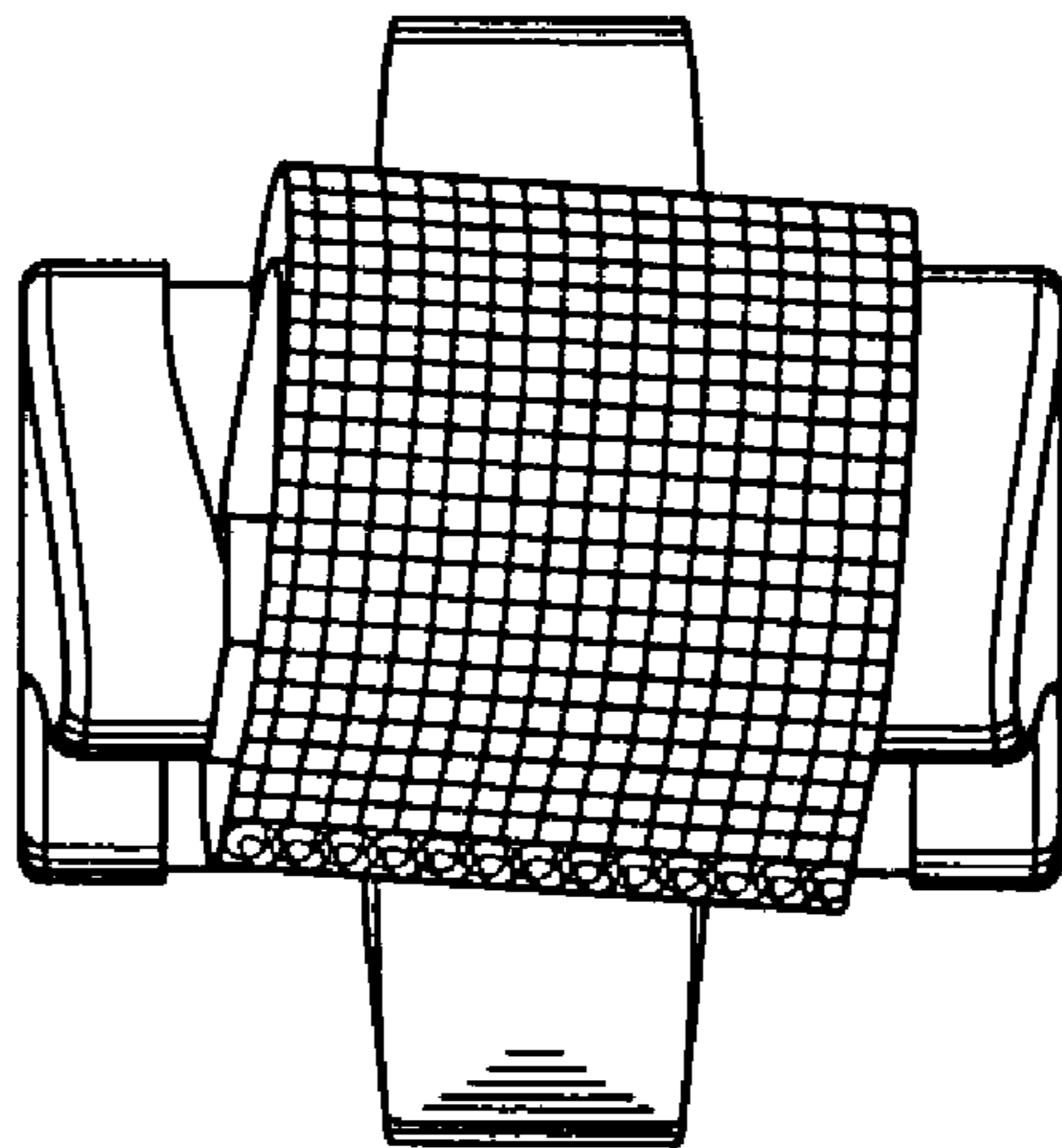


FIG. 6

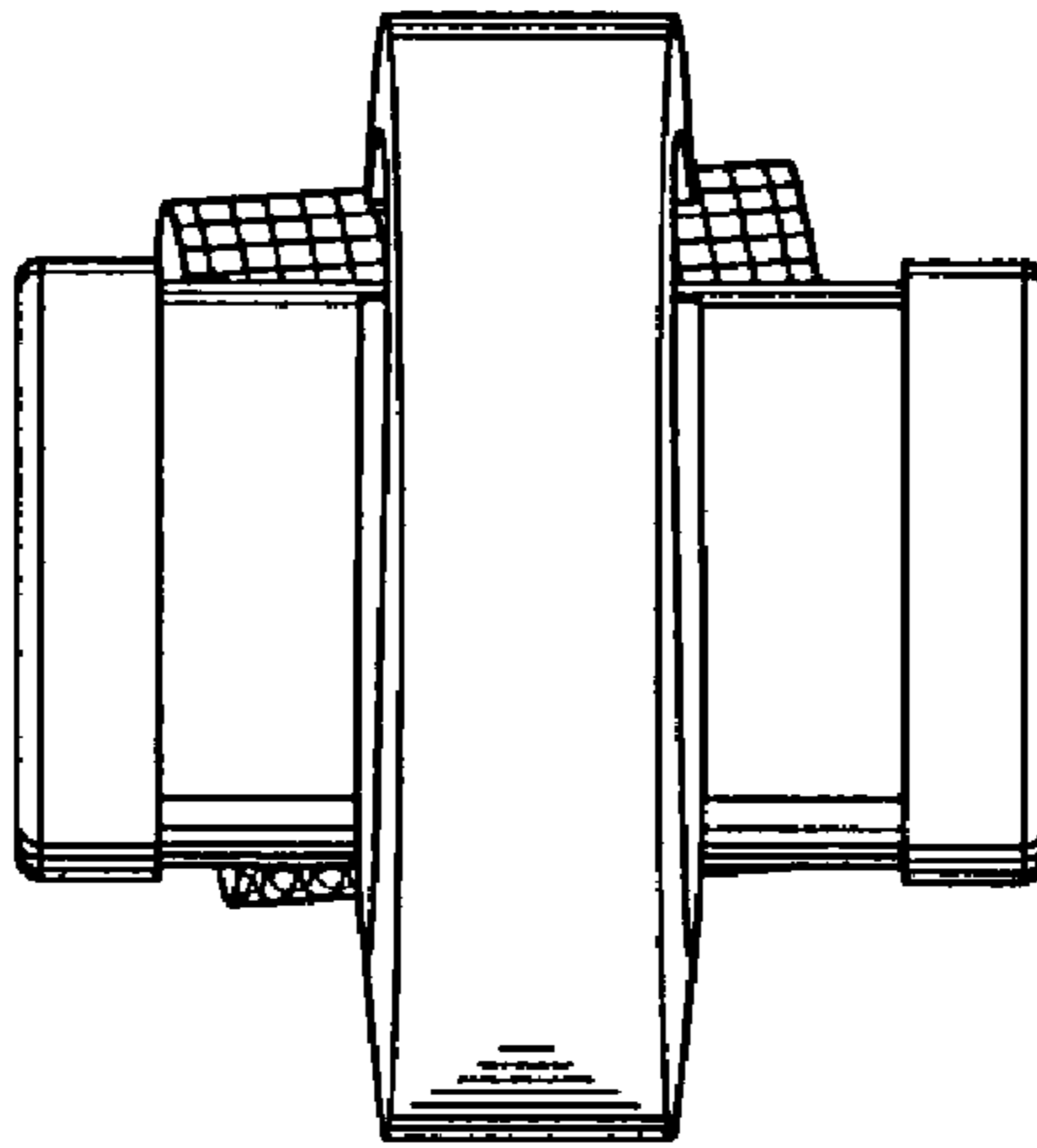


FIG. 7