



US00D623503S

(12) **United States Design Patent**
Hatcher et al.

(10) **Patent No.:** **US D623,503 S**

(45) **Date of Patent:** **** Sep. 14, 2010**

(54) **WALL MOUNTED SWIVELING HOSE REEL**

(75) Inventors: **Stephen Douglas Hatcher**, Camp Hill, PA (US); **Robert James Stein**, Mechanicsburg, PA (US)

(73) Assignee: **Ames True Temper, Inc.**, Camp Hill, PA (US)

(**) Term: **14 Years**

(21) Appl. No.: **29/341,602**

(22) Filed: **Aug. 10, 2009**

(51) **LOC (9) Cl.** **08-05**

(52) **U.S. Cl.** **D8/358**

(58) **Field of Classification Search** D8/360, D8/359, 358; D3/24; D15/5, 199, 147, 138; 474/7, 66, 47-53, 29, 198, 196, 161; 248/638, 248/639; 242/532.6, 530.3, 476.6, 118.6; 160/315; 137/355.26, 355.2, 355.16; 102/407, 102/406

See application file for complete search history.

(56) **References Cited**

U.S. PATENT DOCUMENTS

D554,480 S * 11/2007 Richwine et al. D8/359

* cited by examiner

Primary Examiner—Susan Bennett Hattan

(74) *Attorney, Agent, or Firm*—Eckert Seamans Cherin & Mellot, LLC; David C. Jenkins, Esq.

(57) **CLAIM**

The ornamental design for a wall mounted swiveling hose reel, as shown and described.

DESCRIPTION

FIG. 1 is an isometric view of the wall mounted swiveling hose reel;

FIG. 2 is a left side view of the wall mounted swiveling hose reel;

FIG. 3 is a right side view of the wall mounted swiveling hose reel;

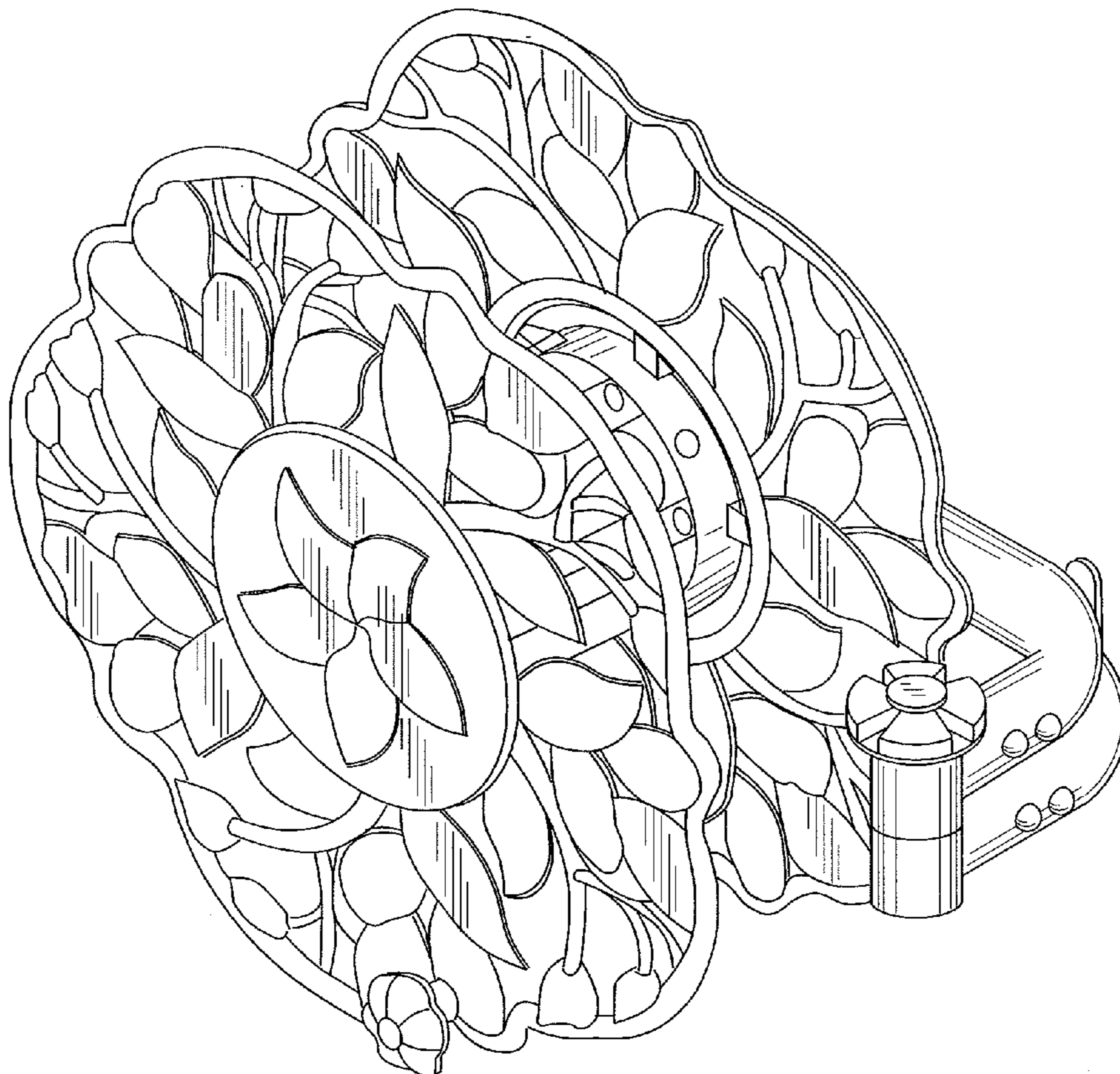
FIG. 4 is a top view of the wall mounted swiveling hose reel;

FIG. 5 is a bottom view of the wall mounted swiveling hose reel;

FIG. 6 is a back view of the wall mounted swiveling hose reel; and,

FIG. 7 is a front view of the wall mounted swiveling hose reel.

1 Claim, 6 Drawing Sheets



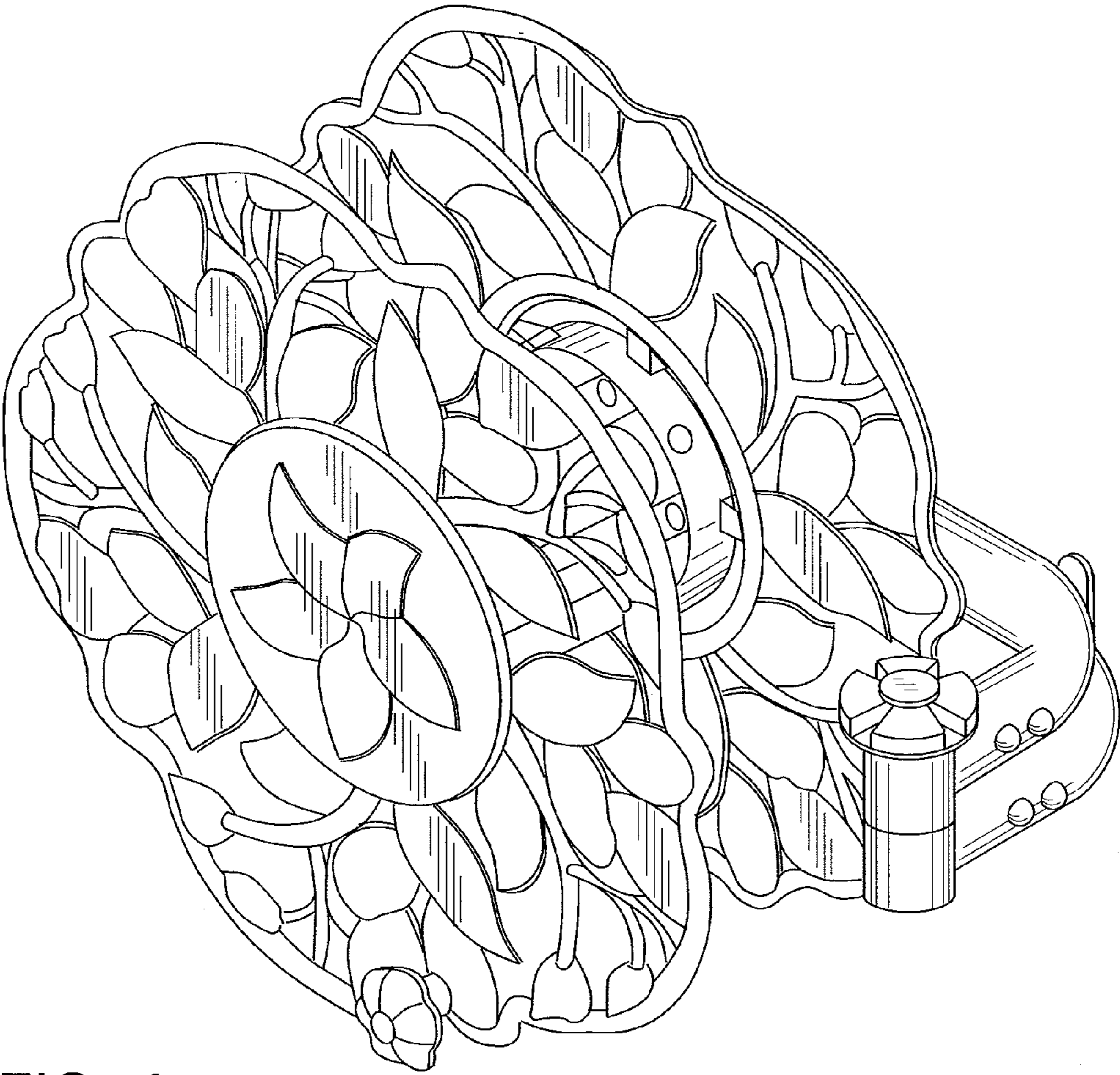


FIG. 1

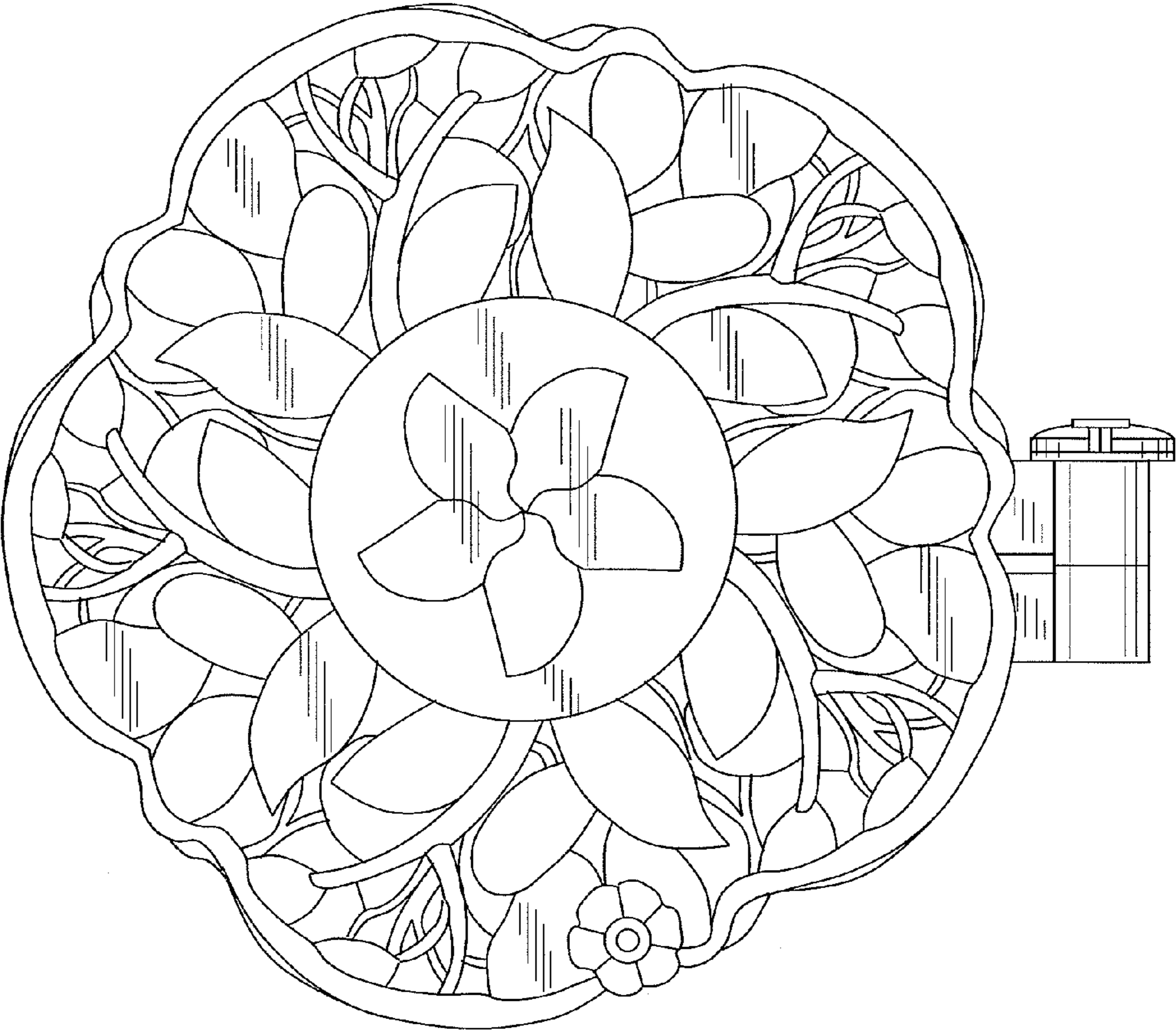


FIG. 2

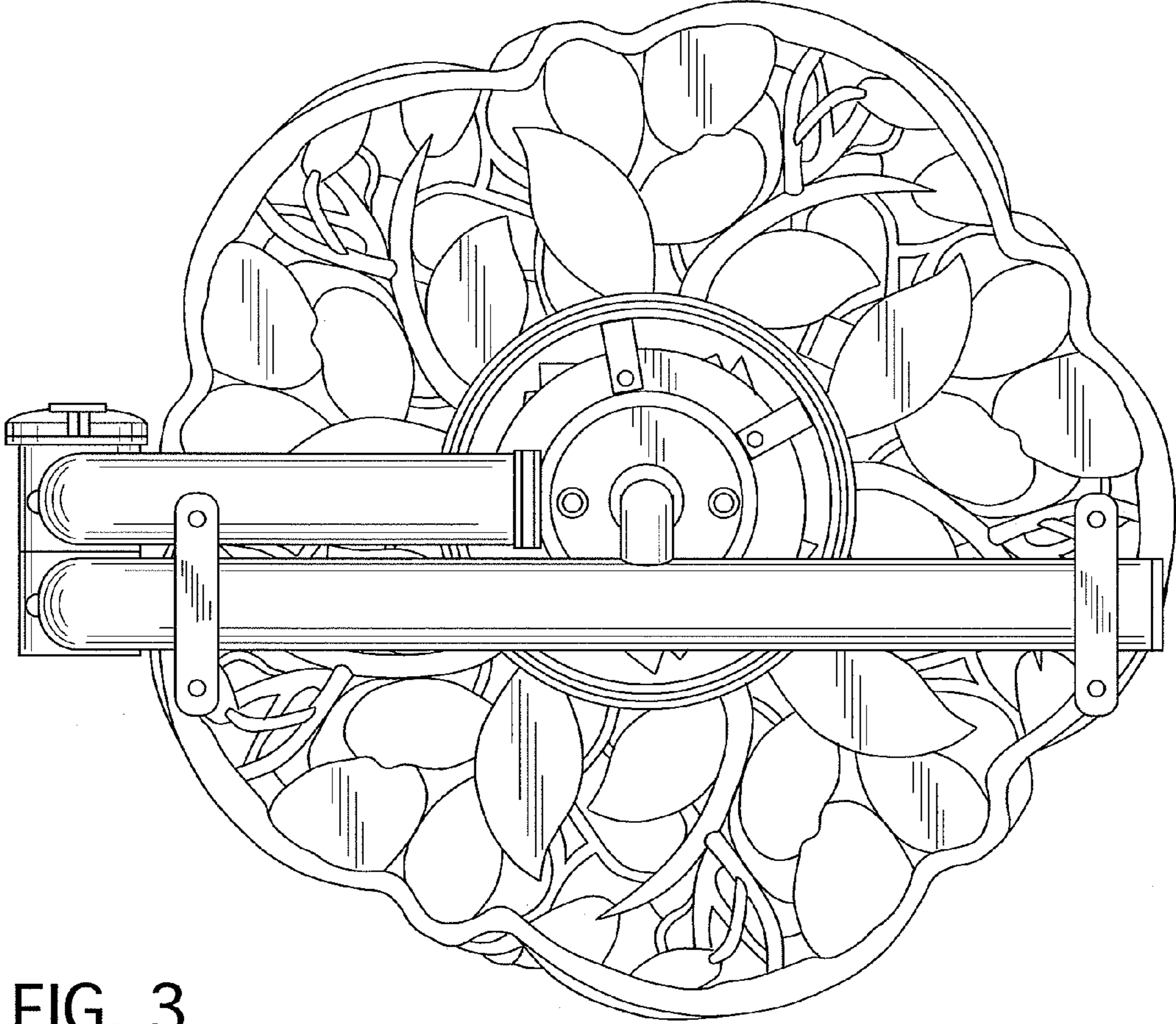


FIG. 3

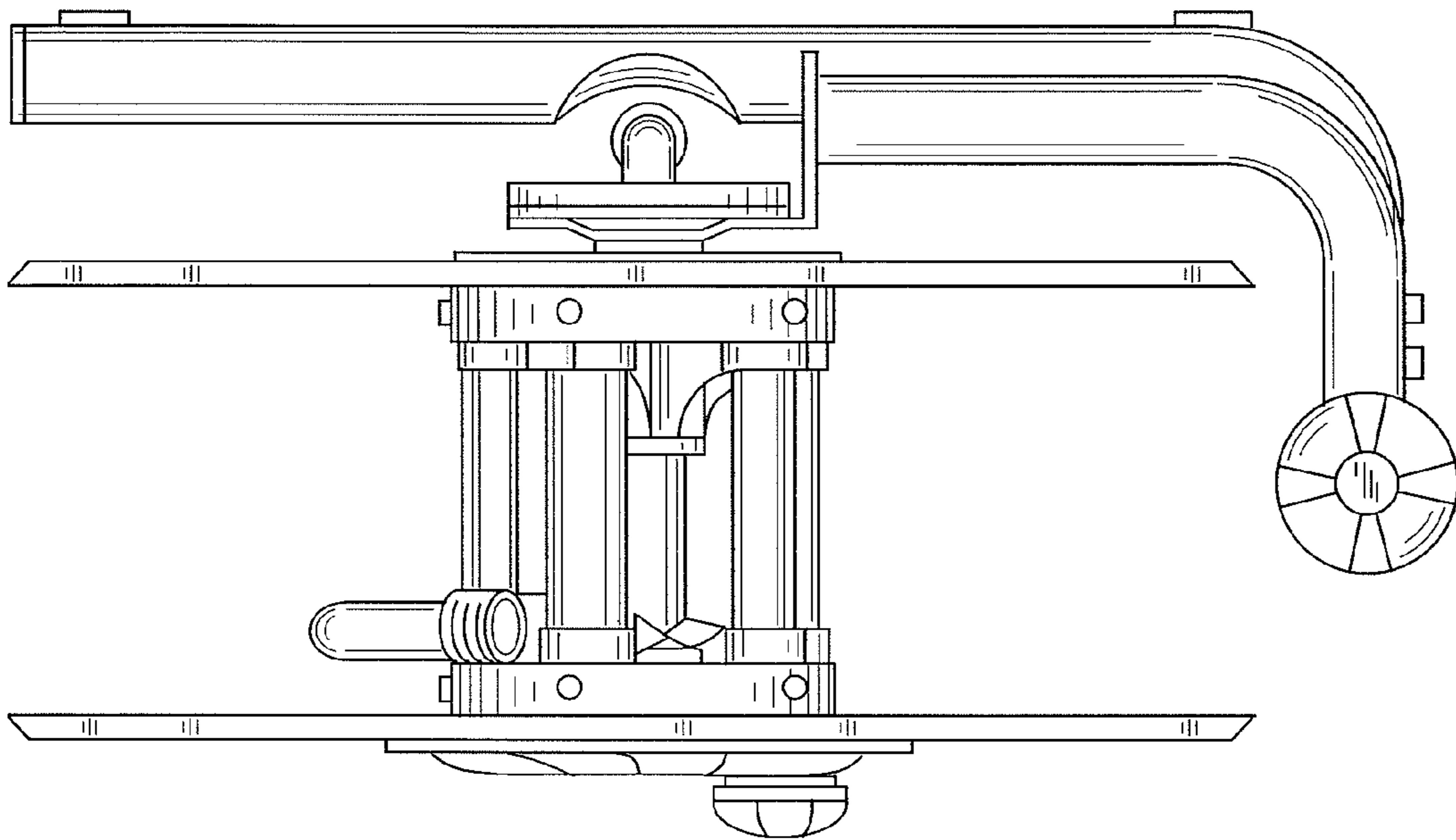


FIG. 4

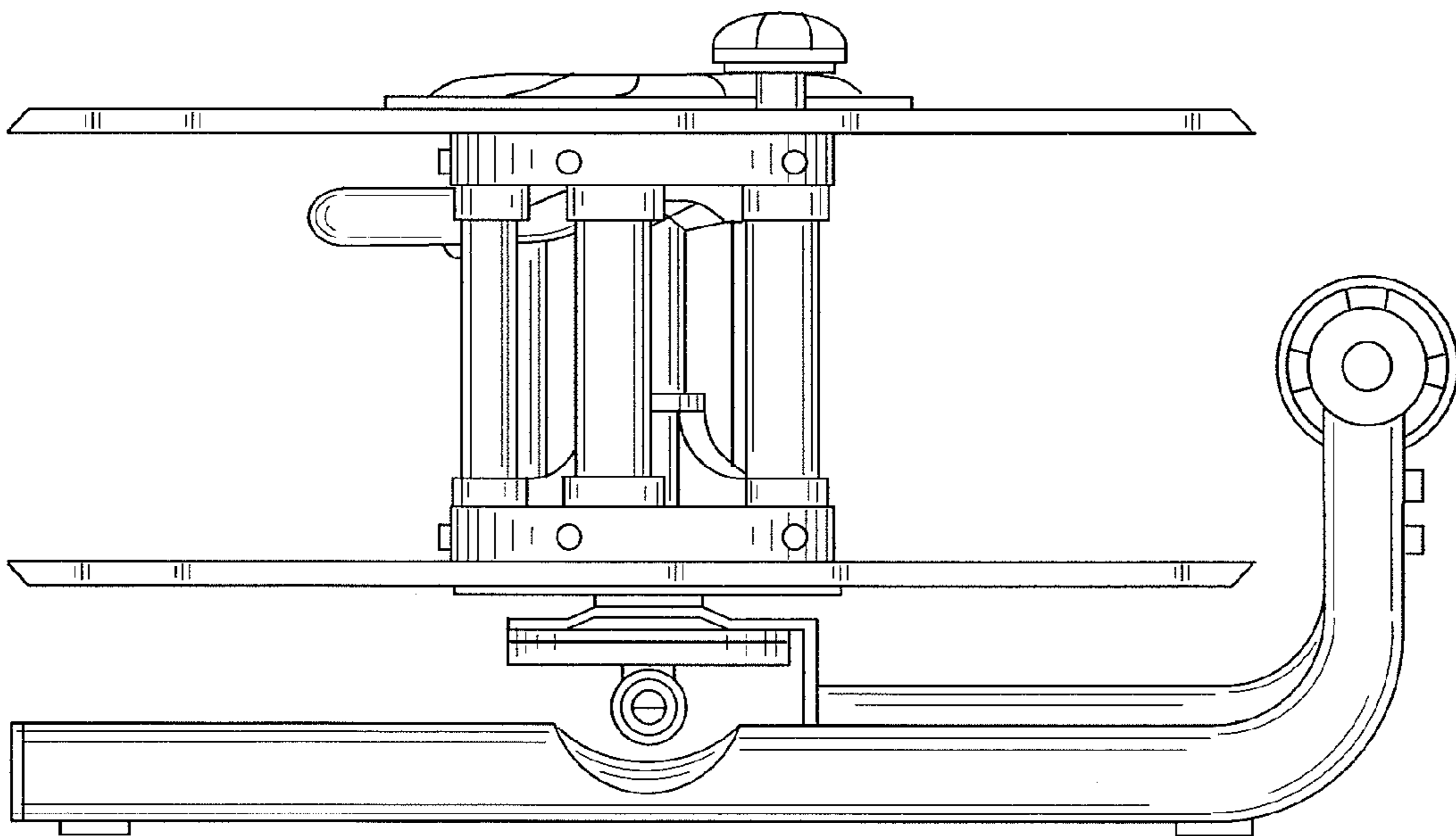


FIG. 5

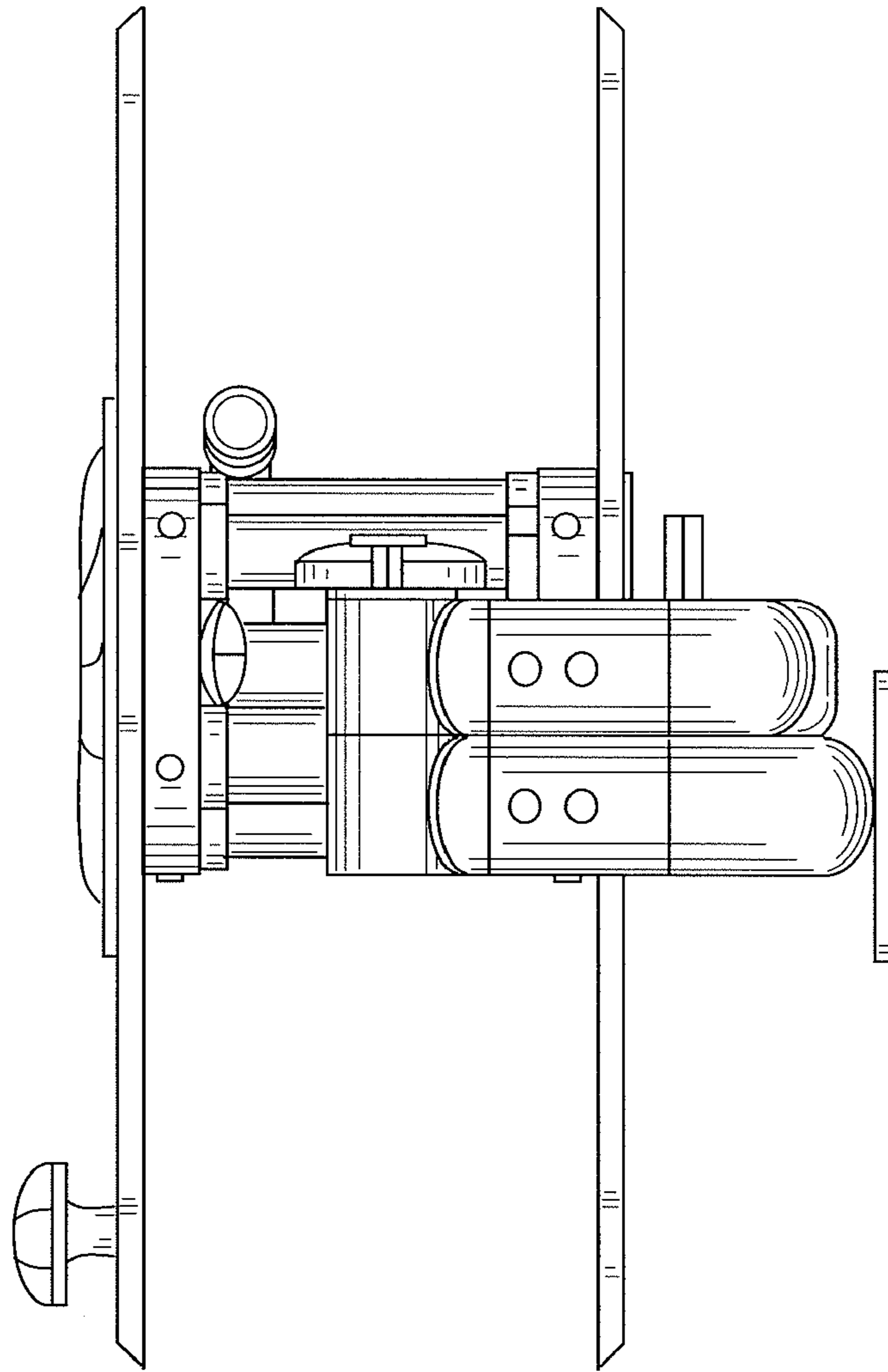


FIG. 6

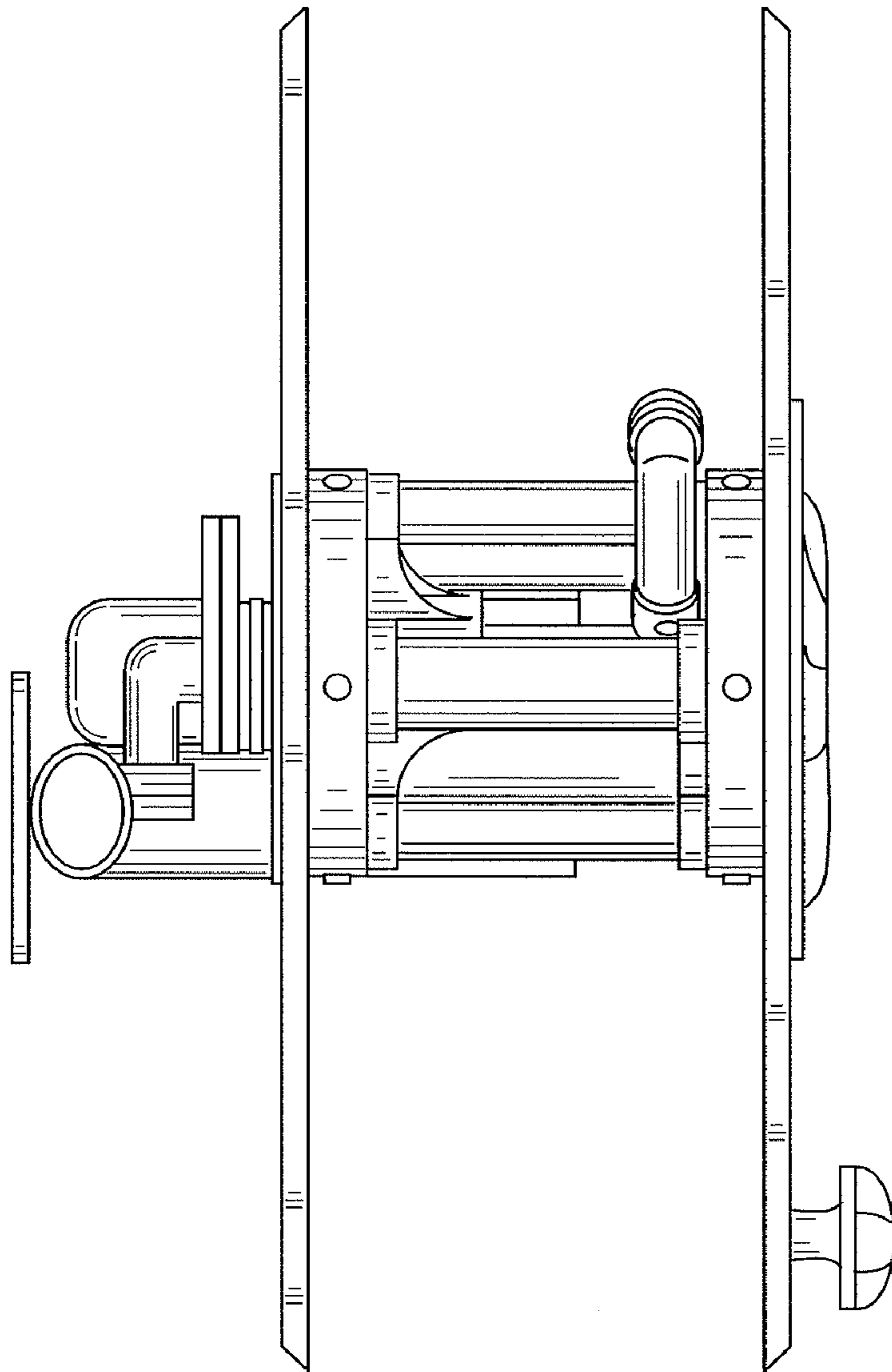


FIG. 7