



US00D623501S

(12) **United States Design Patent**
Blonder

(10) **Patent No.:** **US D623,501 S**

(45) **Date of Patent:** **** Sep. 14, 2010**

(54) **HEADPHONE HOLDER**

(75) Inventor: **Greg E. Blonder**, 120 Woodland Ave.,
Summit, NJ (US) 07901

(73) Assignee: **Greg E. Blonder**, Summit, NJ (US)

(**) Term: **14 Years**

(21) Appl. No.: **29/338,786**

(22) Filed: **Jun. 18, 2009**

(51) **LOC (9) Cl.** **08-05**

(52) **U.S. Cl.** **D8/356; D14/224**

(58) **Field of Classification Search** D8/105,
D8/107, 333, 349, 354, 356, 358, 360, 360.1,
D8/367, 372, 373, 382, 383, 394–396, 400;
D13/133, 139.4, 153, 155; 24/18, 20 W,
24/23 W, 115 R, 129 C, 130, 131 R, 197,
24/561; 52/220.7; 174/135, 153 G, 650,
174/656; 211/86.01, 87.01, 94.01; 242/400.1,
242/405.1, 405.2, 600, 603; 248/65, 74.1–74.4,
248/201, 214, 215, 229.26

See application file for complete search history.

(56) **References Cited**

U.S. PATENT DOCUMENTS

100,019	A *	2/1870	Eldridge	114/114
1,697,833	A *	1/1929	Lane	24/197
1,751,309	A *	3/1930	De Mone	24/115 R
2,509,083	A *	5/1950	Bodendieck	439/822
2,719,345	A *	10/1955	Riker	24/277
2,931,607	A *	4/1960	McFarland	248/74.1
D208,815	S *	10/1967	Hubbard	D8/349
3,715,708	A *	2/1973	Lloyd et al.	439/675
4,231,156	A *	11/1980	Cooper	33/1 LE
D260,363	S *	8/1981	Gipson	D8/333
D265,170	S *	6/1982	Zukaitis	D8/44
4,365,391	A *	12/1982	Chapalain	24/197
4,729,532	A *	3/1988	Moss	248/74.1
4,953,900	A *	9/1990	Pickett	292/307 R
5,028,020	A *	7/1991	Sundholm	248/74.4
5,215,281	A *	6/1993	Sherman	248/74.1
D352,876	S *	11/1994	Munson	D8/21

D367,601	S *	3/1996	Brendel	D8/333
D389,615	S *	1/1998	Leslie	D30/153
D398,830	S *	9/1998	Winner	D8/333
5,924,642	A	7/1999	Krebs et al.	
D414,675	S *	10/1999	Niswanger	D8/333
5,984,224	A	11/1999	Yang	
6,106,189	A *	8/2000	Seale	403/398
D430,787	S *	9/2000	Liu	D8/333
6,142,405	A	11/2000	Black	
6,146,050	A *	11/2000	Marshall	403/400
6,305,053	B1 *	10/2001	Galbreath	24/129 R
6,431,502	B1 *	8/2002	Goodman	248/74.1
6,480,611	B2	11/2002	Hashimoto et al.	
6,484,349	B1	11/2002	Paterson et al.	
6,698,560	B2	3/2004	Reardon et al.	
6,942,173	B1	9/2005	Abramov	
D523,326	S *	6/2006	Naderney et al.	D8/354

(Continued)

Primary Examiner—Robert M Spear

Assistant Examiner—Karen Acker

(74) *Attorney, Agent, or Firm*—Lowenstein Sandler PC

(57)

CLAIM

The ornamental design for a headphone holder, as shown and described.

DESCRIPTION

FIG. 1 is a perspective view of the headphone holder in accordance with the new design;

FIG. 2 is a front view thereof;

FIG. 3 is a back view thereof;

FIG. 4 is a right side view thereof;

FIG. 5 is a left side view thereof;

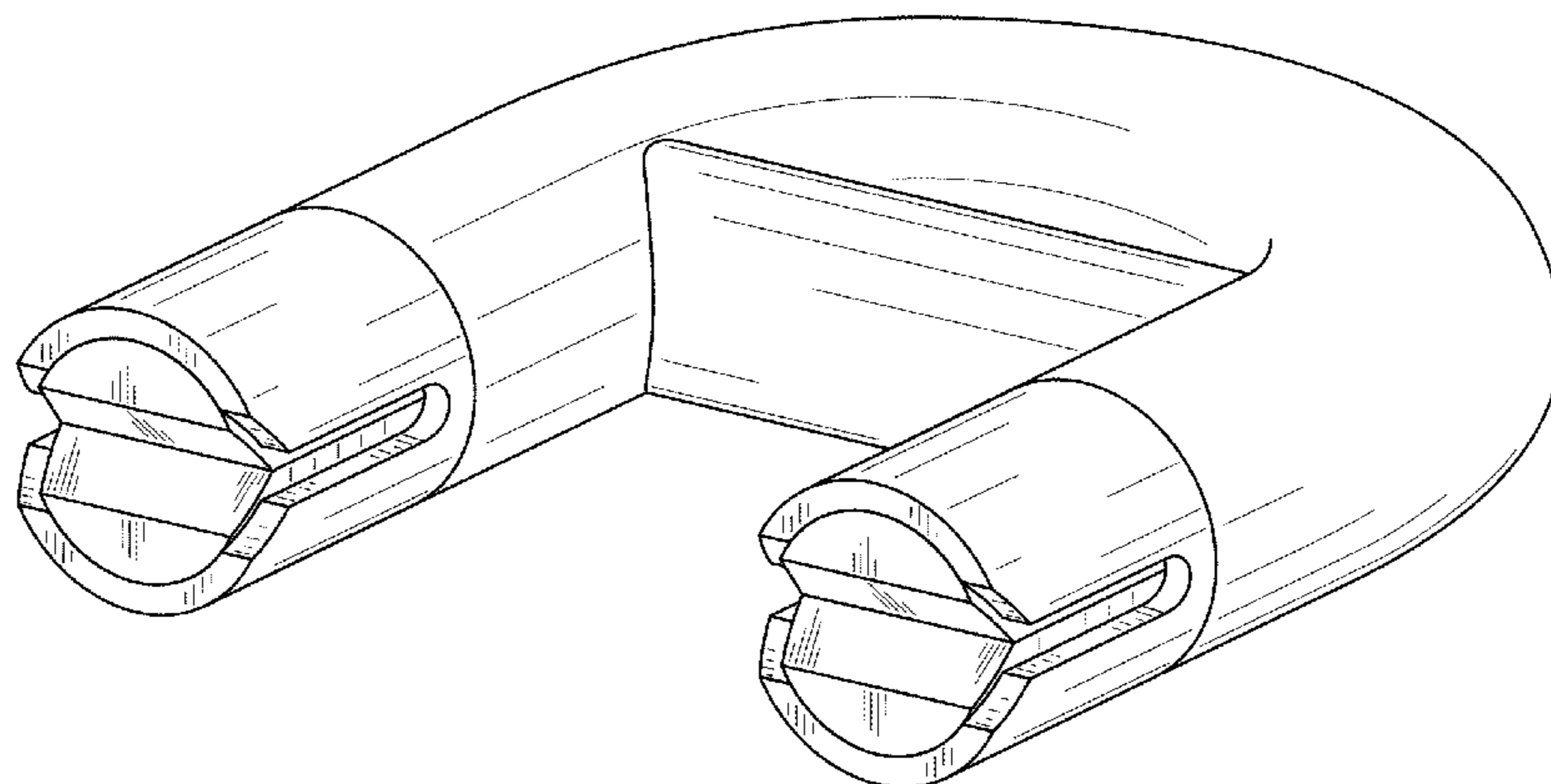
FIG. 6 is a top view thereof;

FIG. 7 is a bottom view thereof; and,

FIG. 8 is an alternative perspective view of the headphone holder.

It is understood that the broken lines are for illustrative purposes only and form no part of the claimed design.

1 Claim, 6 Drawing Sheets



US D623,501 S

Page 2

U.S. PATENT DOCUMENTS							
7,226,162	B2	6/2007	Mah	D572,568	S *	7/2008	Tamura et al. D8/333
D548,058	S *	8/2007	Joachim et al. D8/356	D573,874	S *	7/2008	Thoma et al. D8/356
D556,019	S	11/2007	Symons	7,469,854	B2 *	12/2008	Richardson 242/402
7,350,755	B1 *	4/2008	Harrison 248/230.6	2008/0116324	A1 *	5/2008	Holder 248/65
				2008/0142647	A1 *	6/2008	Connelly et al. 248/74.1
							* cited by examiner

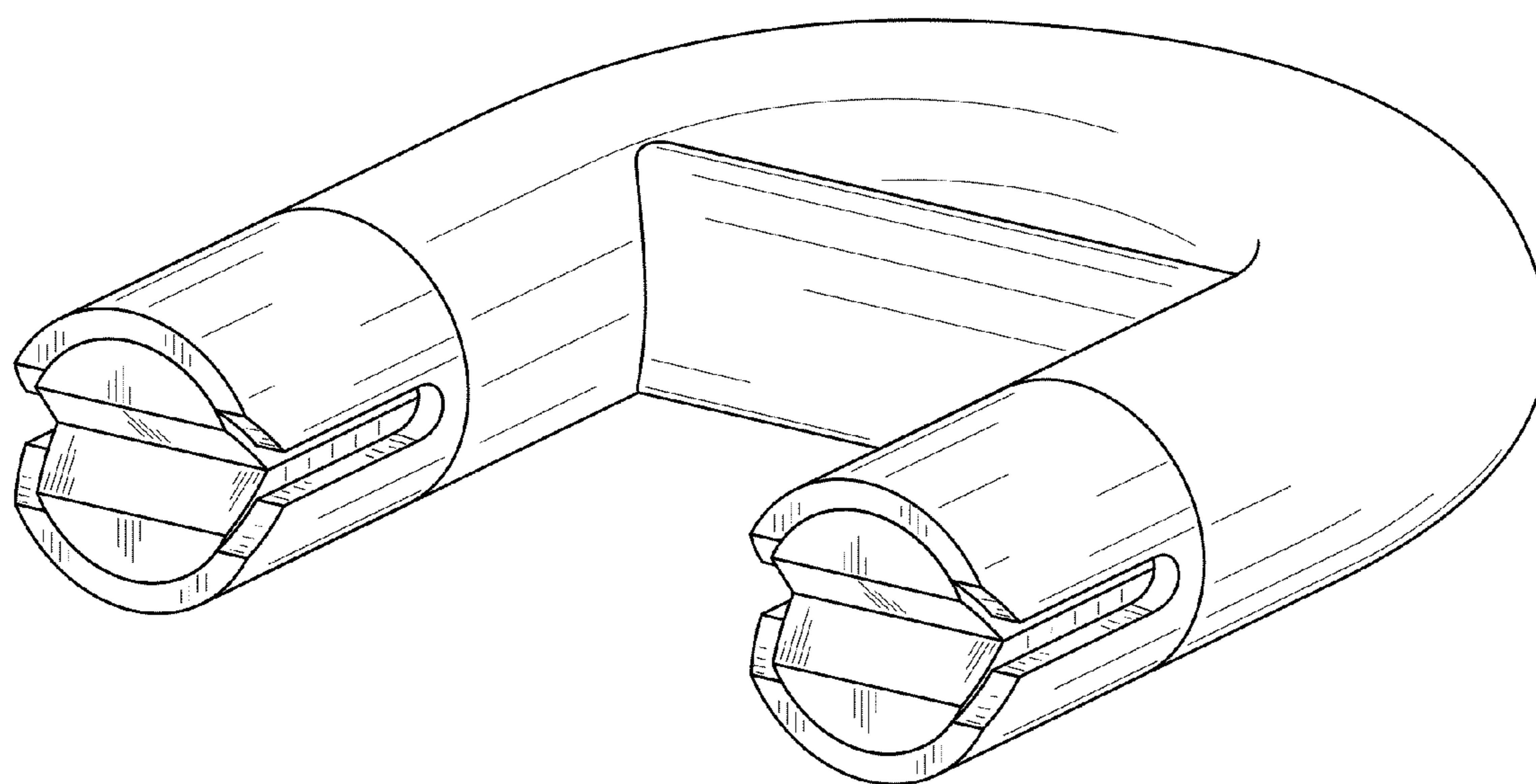


FIG. 1

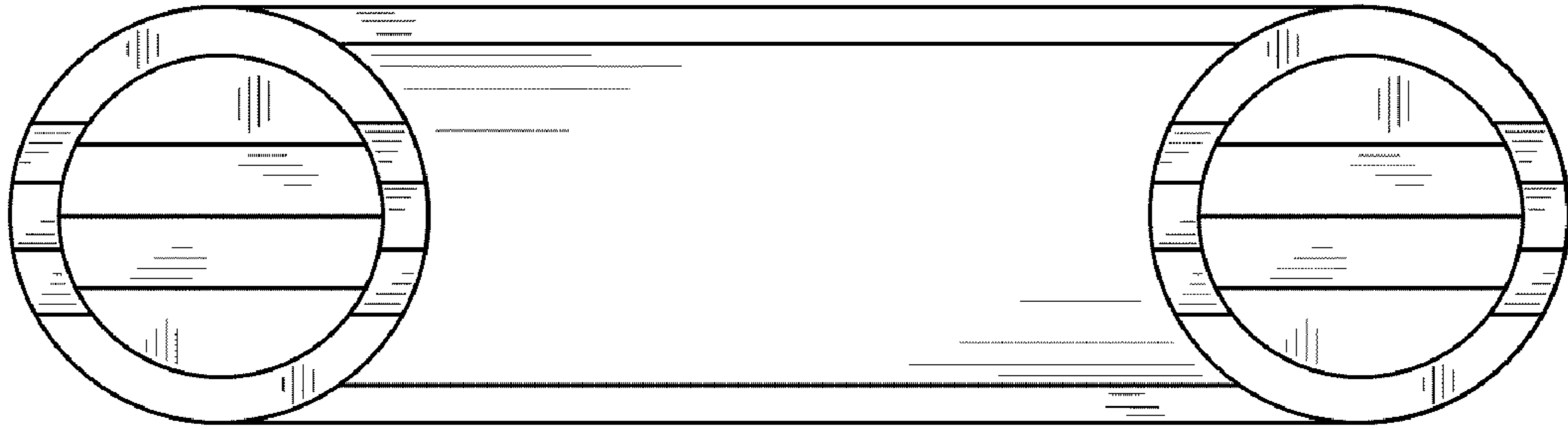


FIG. 2

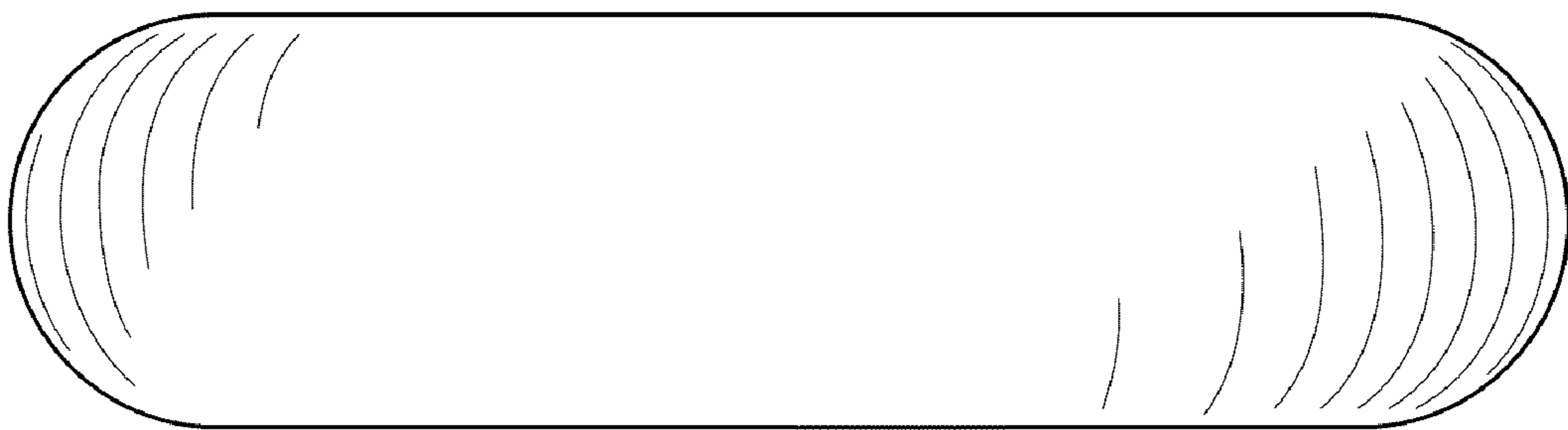


FIG. 3

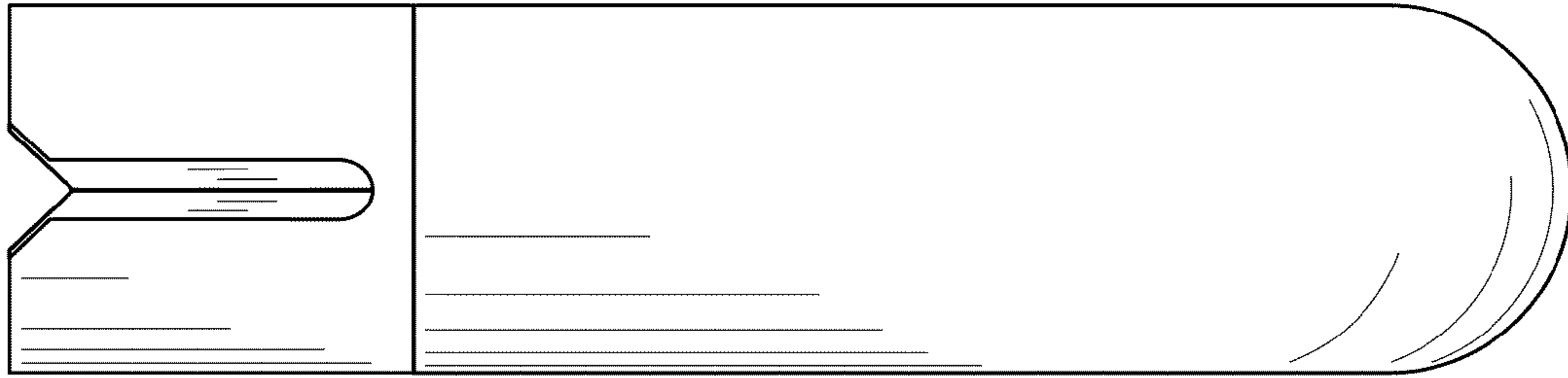


FIG. 4

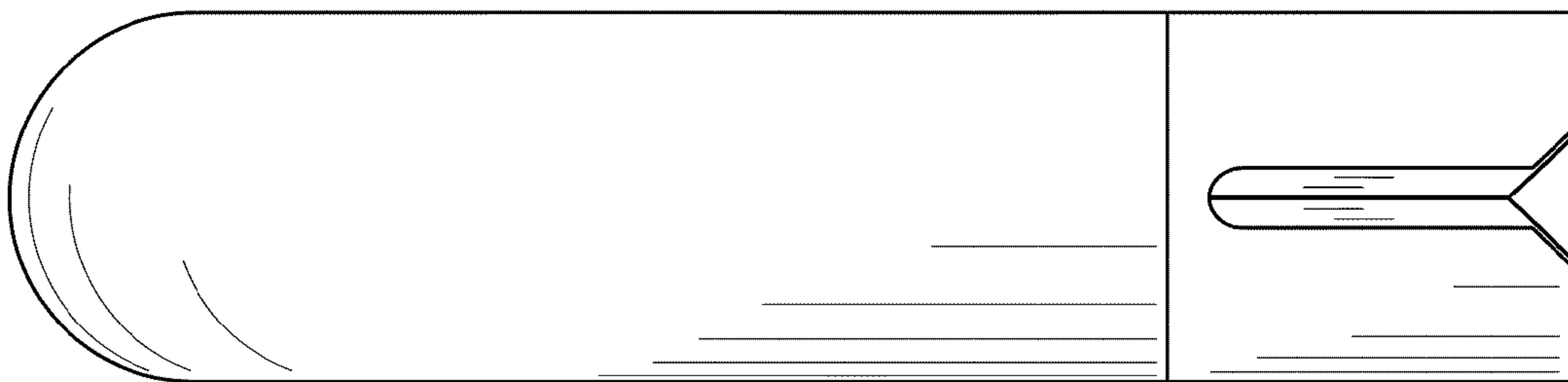


FIG. 5

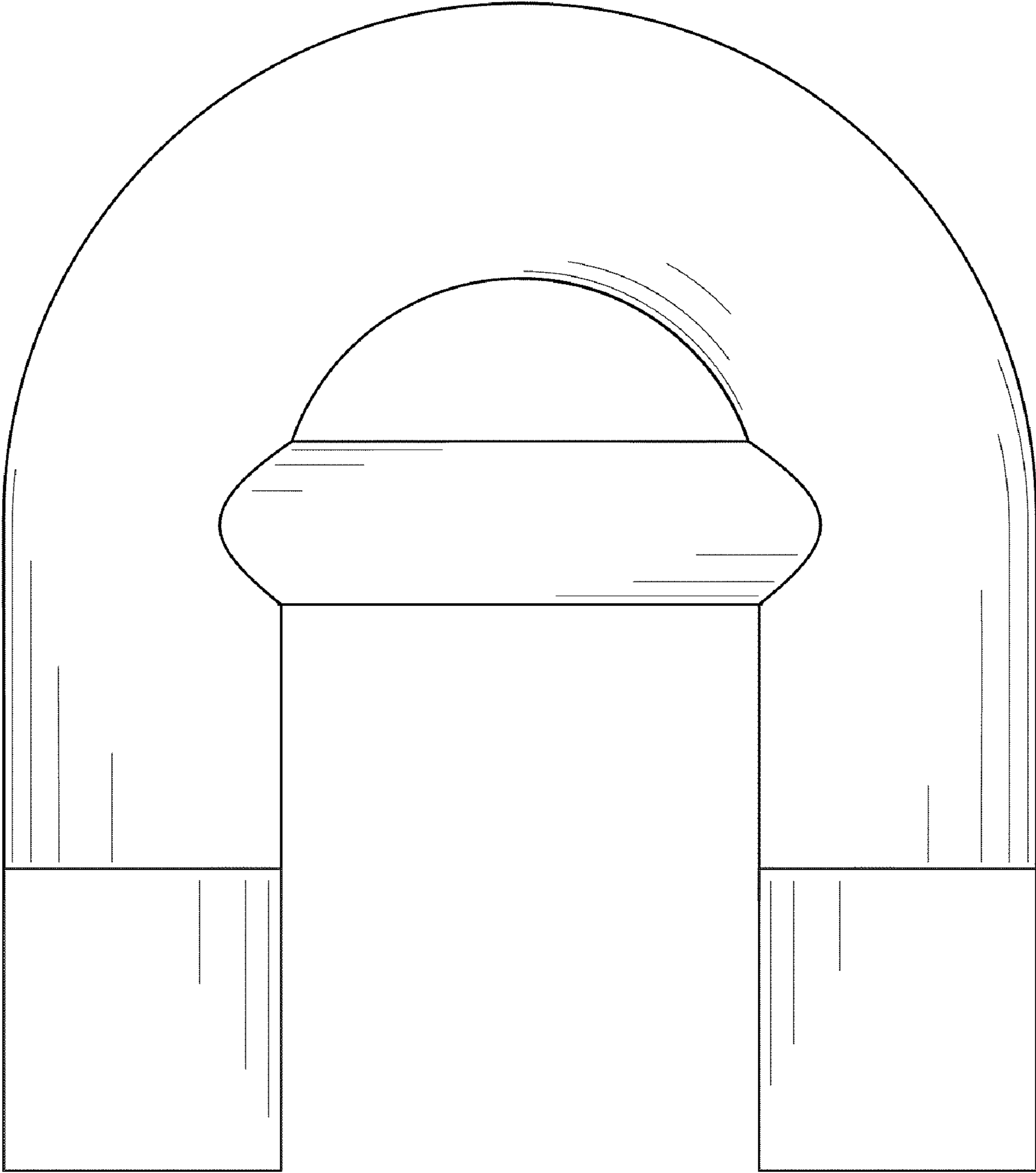


FIG. 6

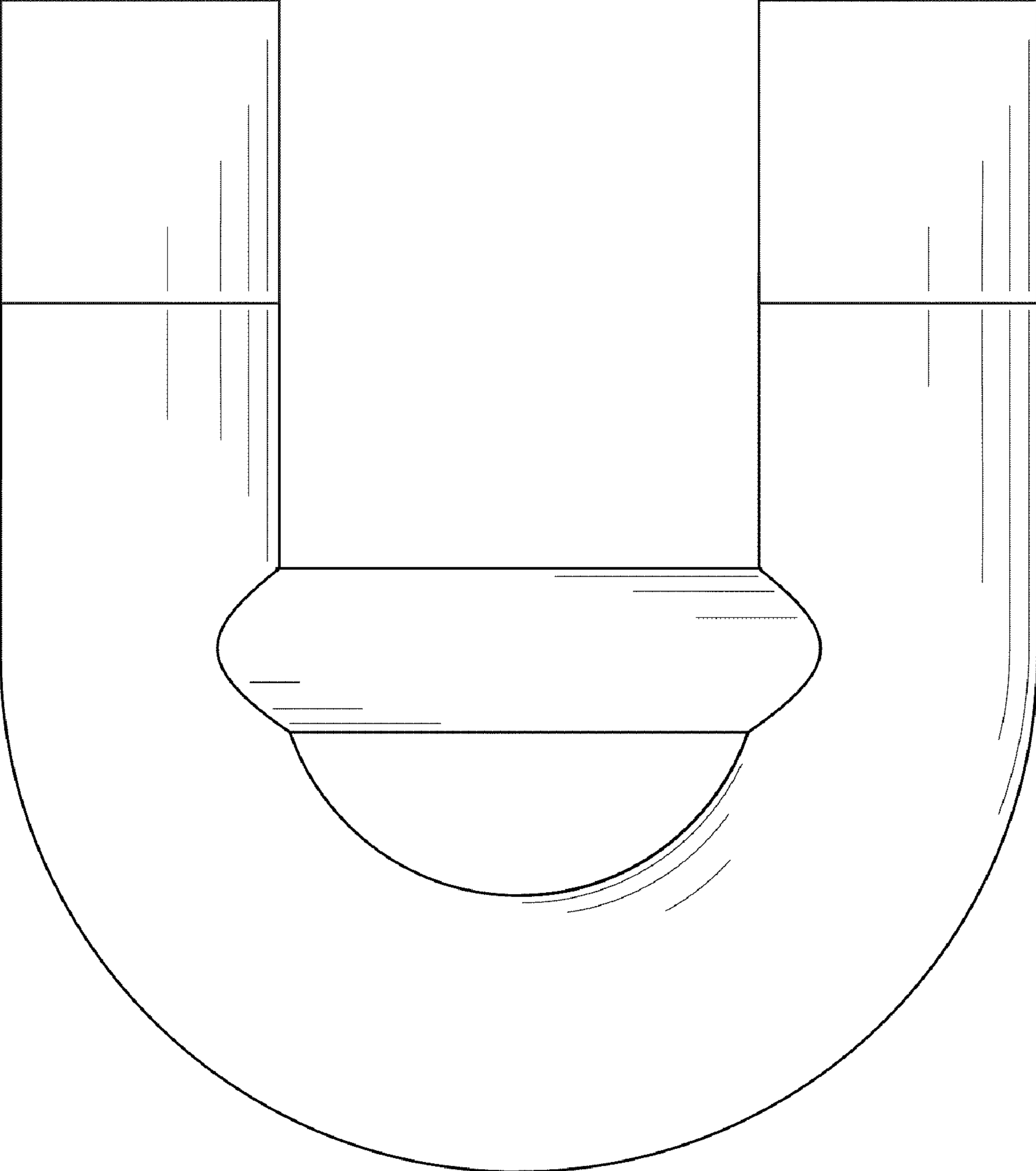


FIG. 7

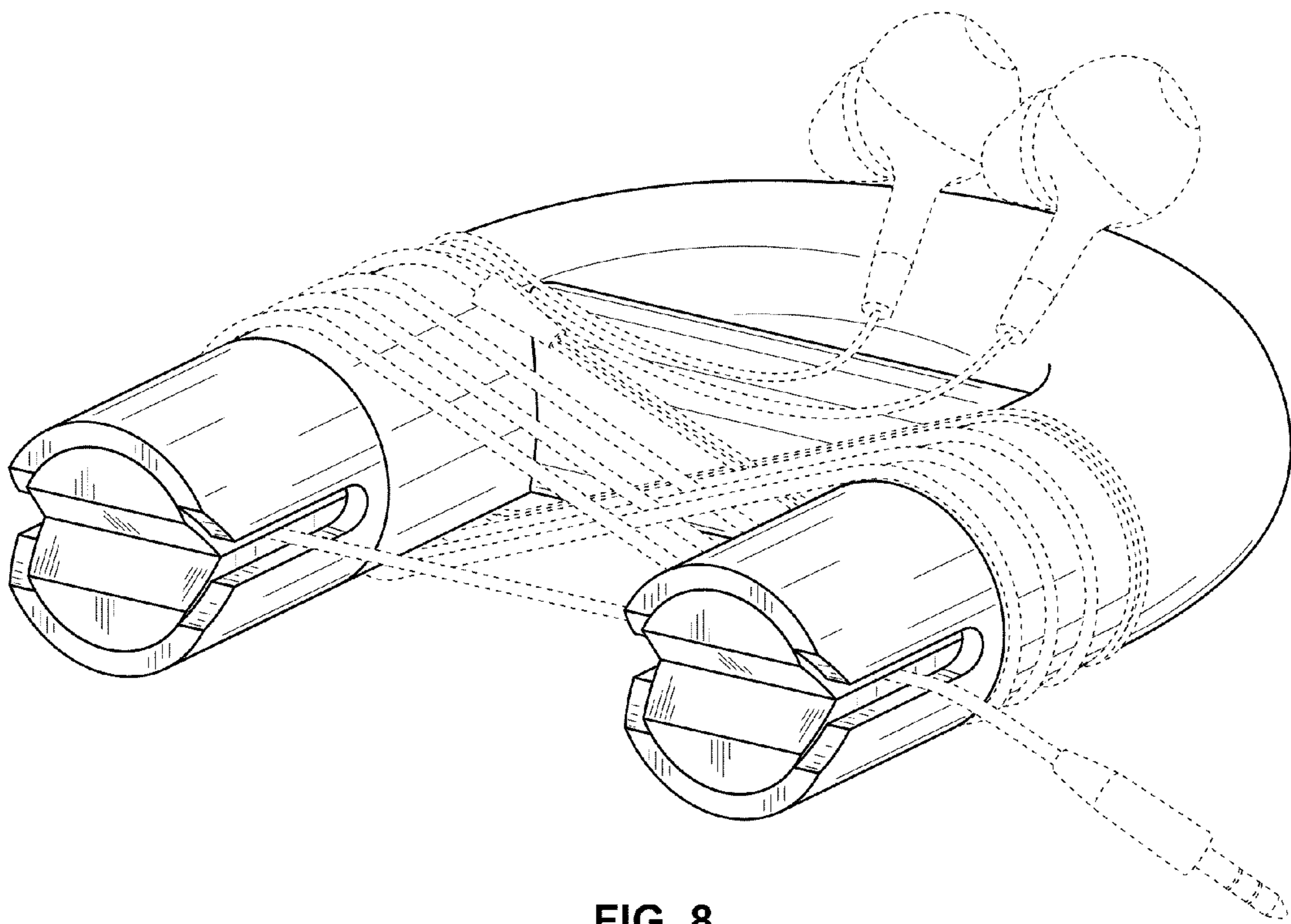


FIG. 8