



US00D623500S

(12) **United States Design Patent**
Langner et al.

(10) **Patent No.:** **US D623,500 S**

(45) **Date of Patent:** **** Sep. 14, 2010**

(54) **TIE-DOWN BASE PLATE**

(75) Inventors: **Richard F. Langner**, Scottsdale, AZ
(US); **Rockne Hewes Carter**, Phoenix,
AZ (US)

(73) Assignee: **Armorworks Enterprises, LLC**,
Chandler, AZ (US)

(**) Term: **14 Years**

(21) Appl. No.: **29/314,693**

(22) Filed: **Apr. 20, 2009**

(51) **LOC (9) Cl.** **08-05**

(52) **U.S. Cl.** **D8/349**

(58) **Field of Classification Search** D8/349,
D8/354, 355, 356, 363, 373, 380, 382, 383;
248/127, 146, 346.01, 346.03, 346.5, 499,
248/500, 503, 519, 530, 544, 545; 410/96,
410/100-110, 116, 119

See application file for complete search history.

(56) **References Cited**

U.S. PATENT DOCUMENTS

2,715,008	A *	8/1955	Huber	410/103
4,607,991	A *	8/1986	Porter	410/110
4,907,921	A *	3/1990	Akright	410/111
5,035,558	A *	7/1991	Prosen	410/96
D373,070	S *	8/1996	Kriegstein	D8/354
5,774,948	A *	7/1998	Petschke et al.	410/101

D415,407	S *	10/1999	Ducker	D8/354
6,065,917	A *	5/2000	Shambeau et al.	410/107
6,138,975	A *	10/2000	McDaid	248/499
D437,770	S *	2/2001	Garske et al.	D8/349
6,183,178	B1 *	2/2001	Bateman	410/116
D465,988	S *	11/2002	Green	D8/349
D475,995	S *	6/2003	Hsieh	D14/229
D485,743	S *	1/2004	Wilson, Sr.	D8/354
D497,536	S *	10/2004	Fujiwara	D8/354
7,134,819	B2 *	11/2006	Bullock et al.	410/102
D539,117	S *	3/2007	Sealey et al.	D8/349
D551,943	S *	10/2007	Hodjat et al.	D8/349
D573,874	S *	7/2008	Thoma et al.	D8/356
7,481,610	B1 *	1/2009	Egigian	410/106
2006/0133907	A1 *	6/2006	Bullock et al.	410/107

* cited by examiner

Primary Examiner—Cynthia M Chin

(74) *Attorney, Agent, or Firm*—Schwartz Law Firm, P.C.

(57) **CLAIM**

We claim the ornamental design for a tie-down base plate, as shown and described.

DESCRIPTION

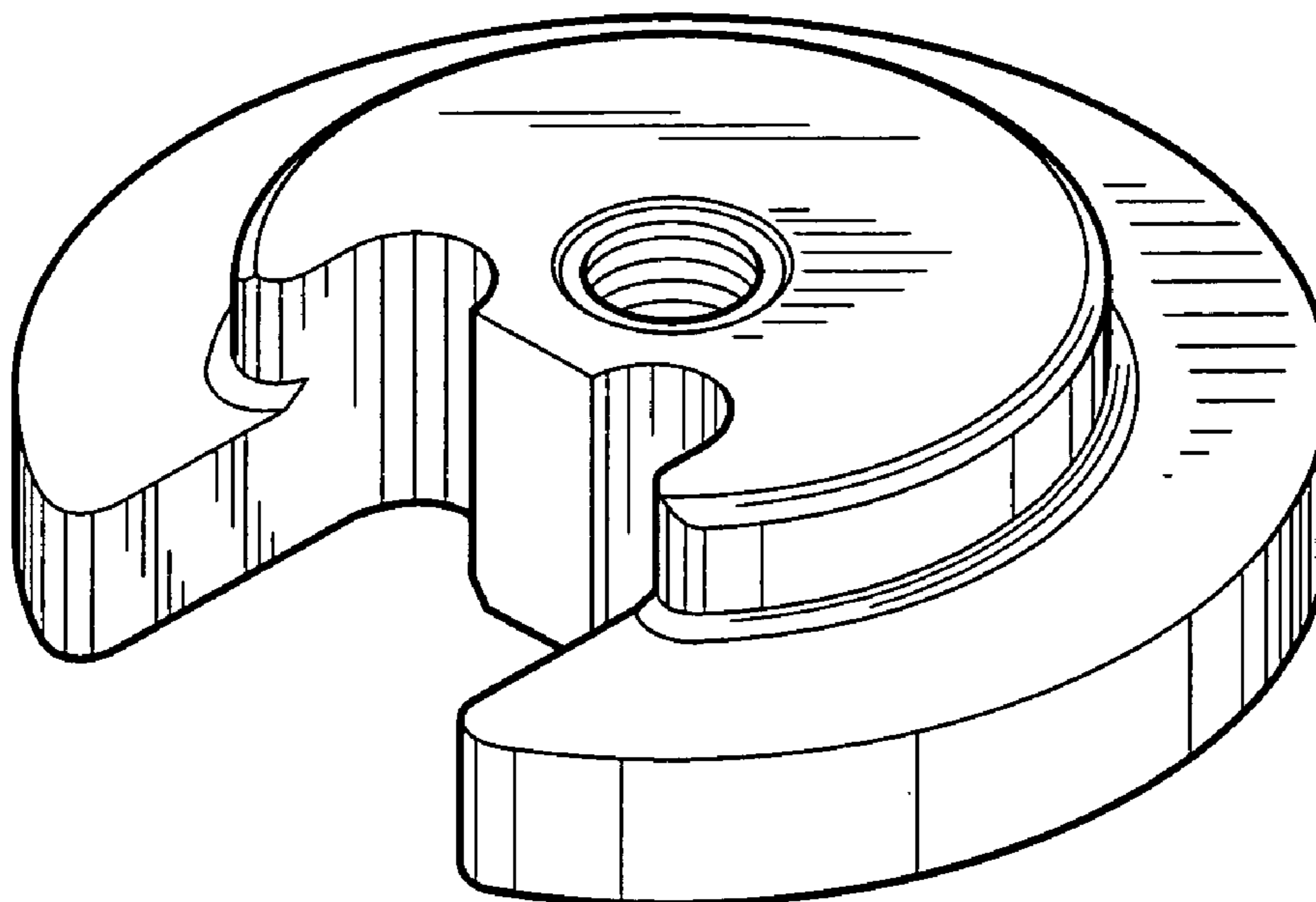
FIG. 1 is a perspective view of the tie-down base plate;

FIG. 2 is a bottom view thereof;

FIG. 3 is a top view thereof; and,

FIG. 4 is a front view thereof.

1 Claim, 2 Drawing Sheets



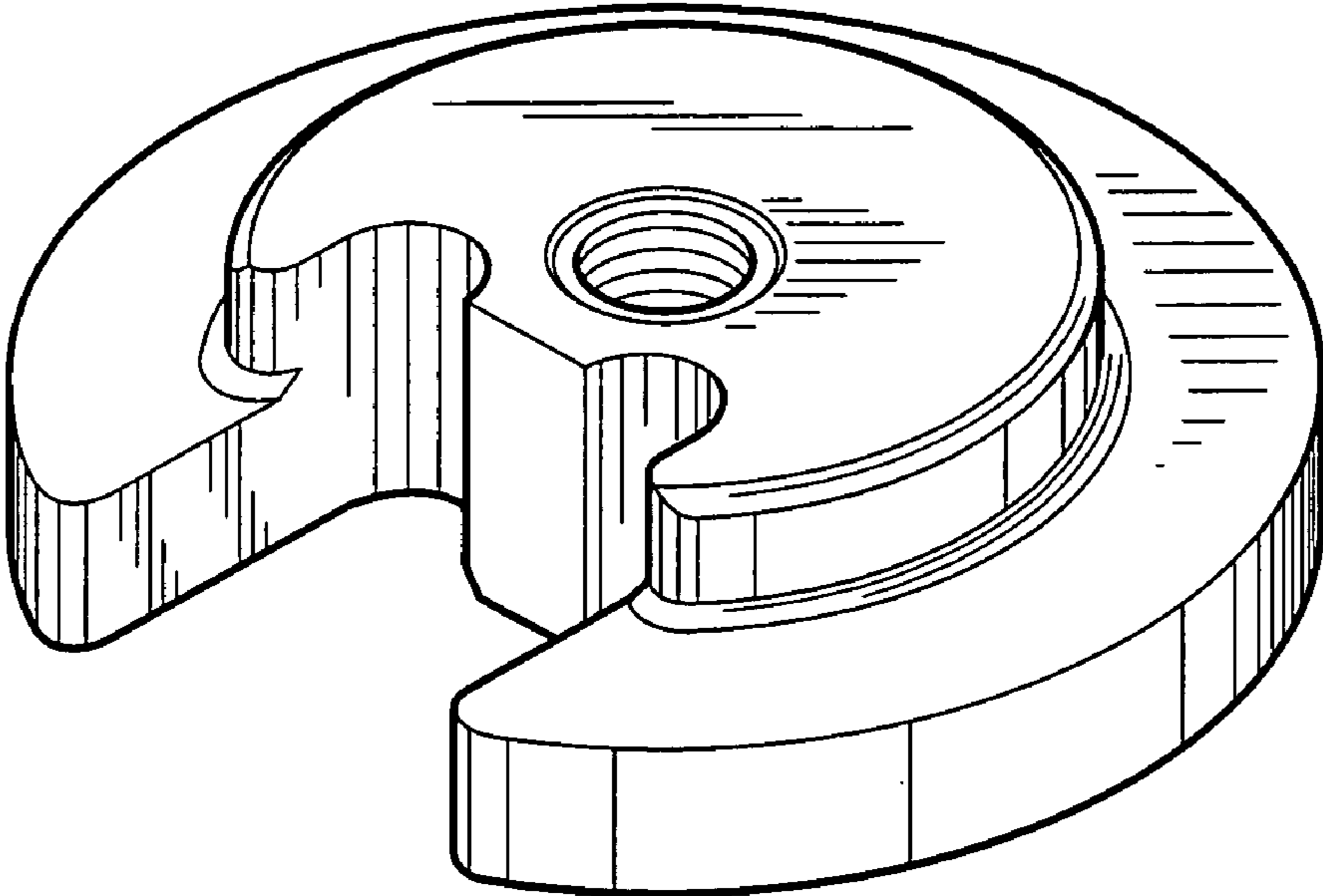


Fig. 1

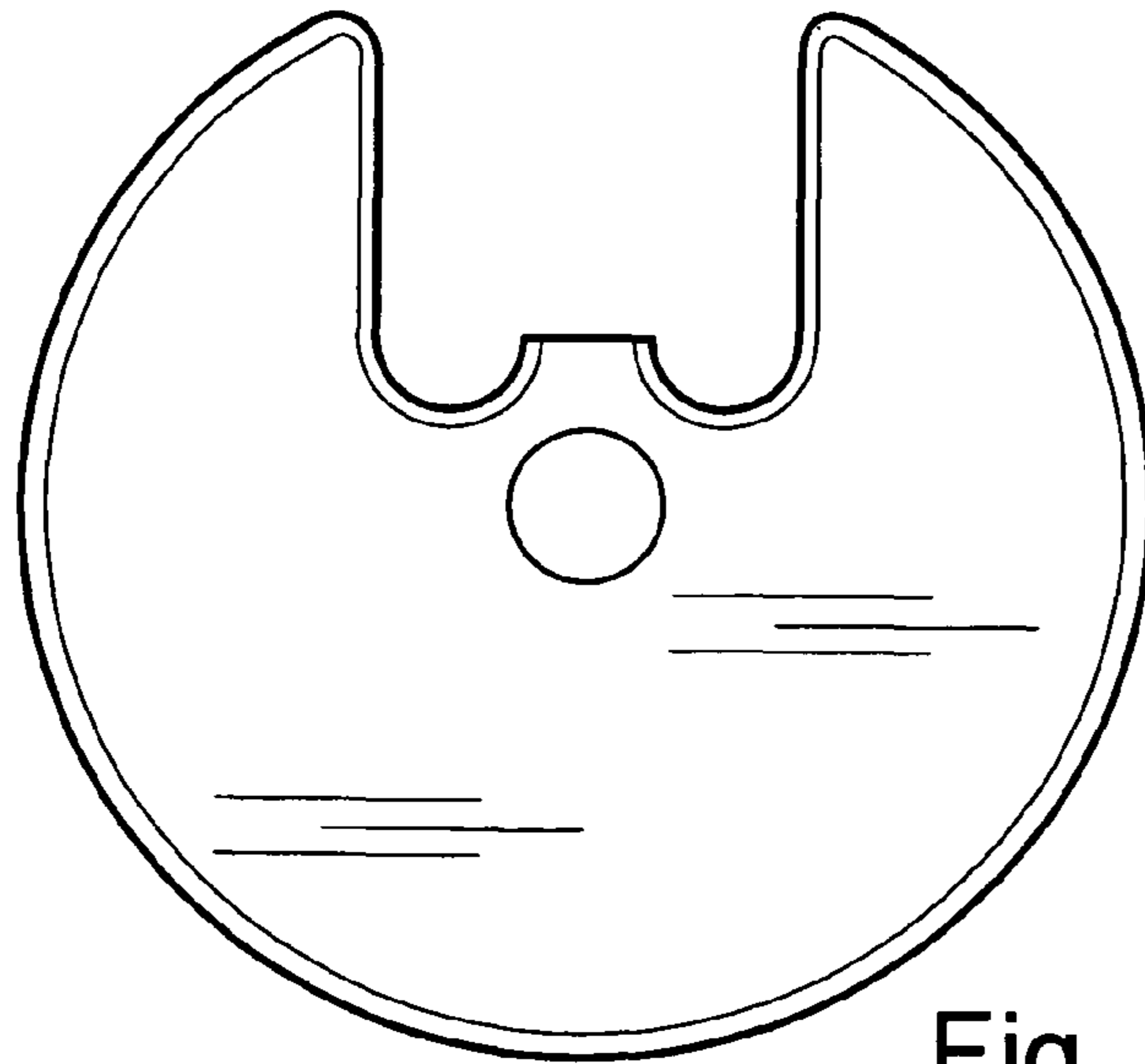


Fig. 2

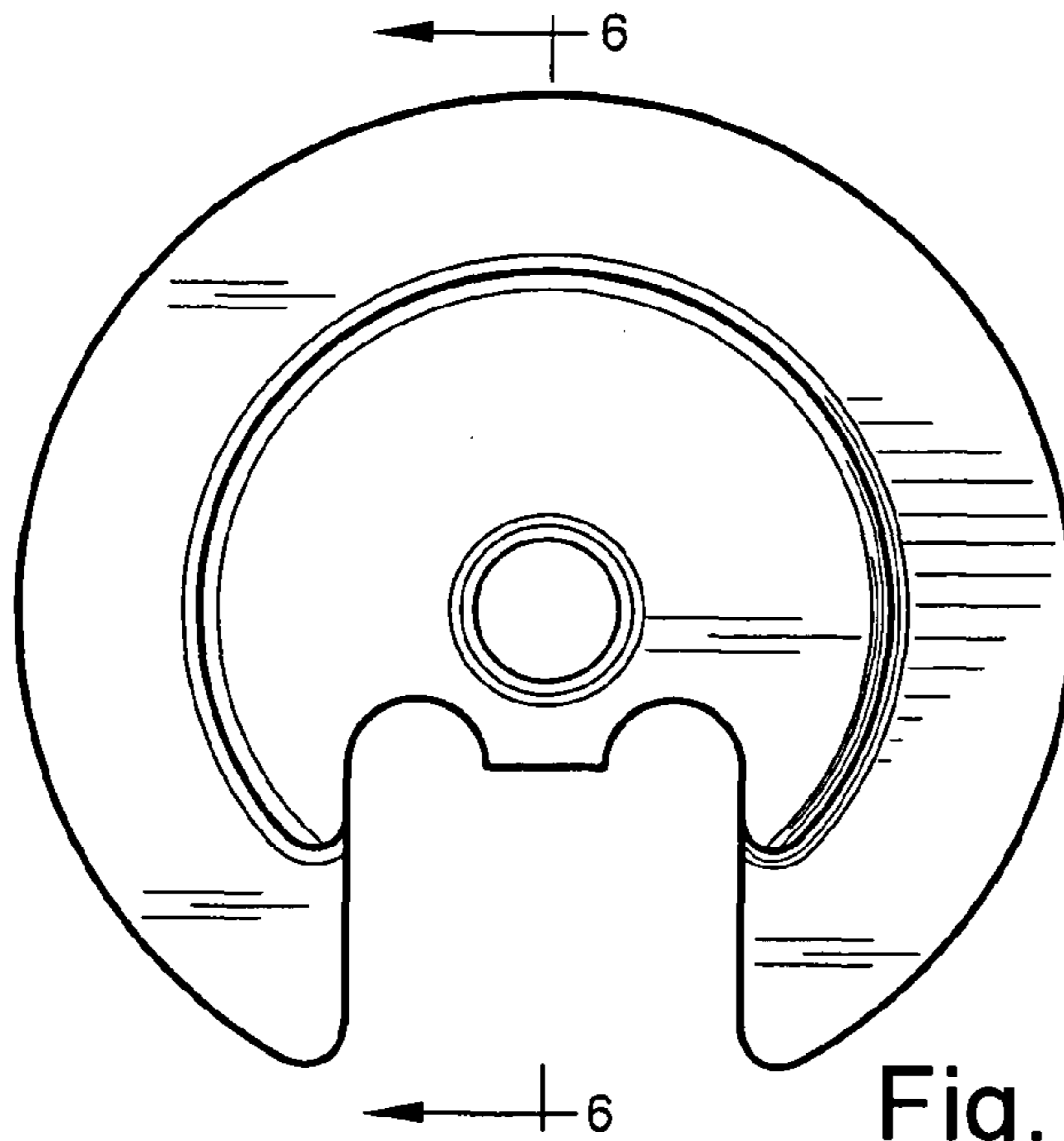


Fig. 3

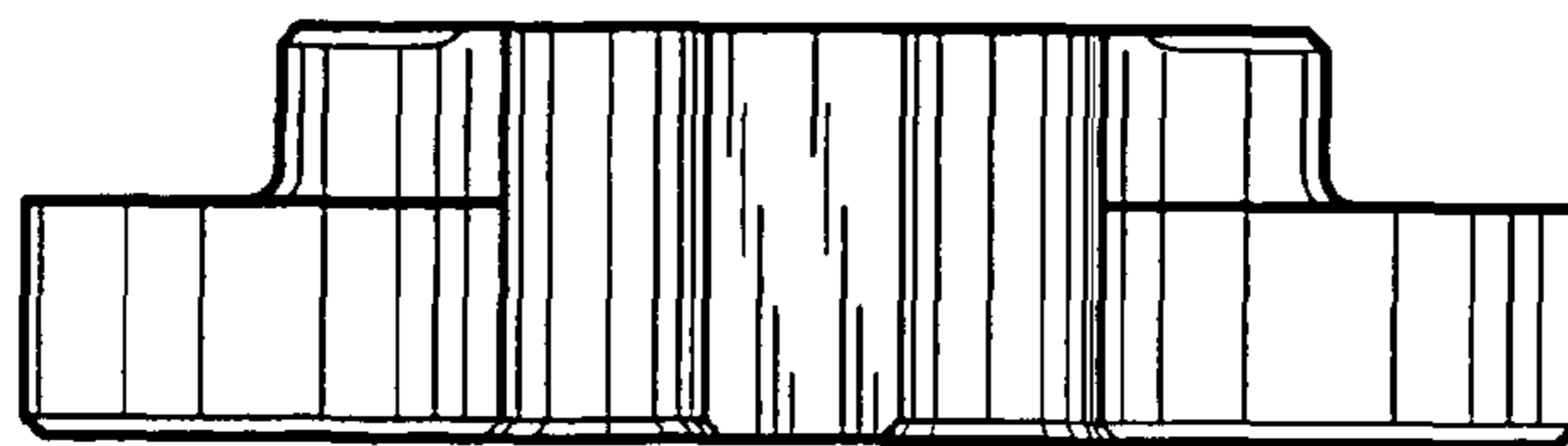


Fig. 4