



US00D623499S

(12) **United States Design Patent**
Tien

(10) **Patent No.:** **US D623,499 S**

(45) **Date of Patent:** **** Sep. 14, 2010**

(54) **COVER FOR A FIREPROOF DOOR LOCK**

(75) Inventor: **Hung-Jen Tien**, Tainan (TW)

(73) Assignee: **I-TEK Metal Mfg. Co., Ltd.**, Tainan (TW)

(**) Term: **14 Years**

(21) Appl. No.: **29/355,691**

(22) Filed: **Feb. 12, 2010**

(51) **LOC (9) Cl.** **08-07**

(52) **U.S. Cl.** **D8/346**

(58) **Field of Classification Search** D8/330-348;
70/13, 20, 51, 54, 66, 92, DIG. 56, DIG. 43;
292/340-343, 256, 277, 346, 92; 16/49,
16/52, 71

See application file for complete search history.

(56) **References Cited**

U.S. PATENT DOCUMENTS

4,305,612	A *	12/1981	Hunt et al.	292/336.3
D337,715	S *	7/1993	Rutherford	D8/346
5,412,961	A *	5/1995	Cain et al.	70/92
5,555,752	A *	9/1996	Fitzpatrick	70/159
D390,444	S *	2/1998	Wintrone	D8/337
D416,779	S *	11/1999	Trumpinski et al.	D8/330
D430,786	S *	9/2000	Hickman et al.	D8/321

D434,339	S *	11/2000	Siller et al.	D10/106
6,578,393	B2 *	6/2003	Yarborough	70/56
D526,557	S *	8/2006	Falconer et al.	D8/346
D527,614	S *	9/2006	St. James	D8/346
D541,633	S *	5/2007	Austin et al.	D8/346
D542,626	S *	5/2007	Toloday et al.	D8/346

* cited by examiner

Primary Examiner—Prabhakar Deshmukh

(74) *Attorney, Agent, or Firm*—Alan Kamrath; Kamrath & Associates PA

(57) **CLAIM**

The ornamental design for a cover for a fireproof door lock, as shown and described.

DESCRIPTION

FIG. 1 is a perspective view of a cover for a fireproof door lock showing my design;

FIG. 2 is a front elevational view thereof;

FIG. 3 is a rear elevational view thereof;

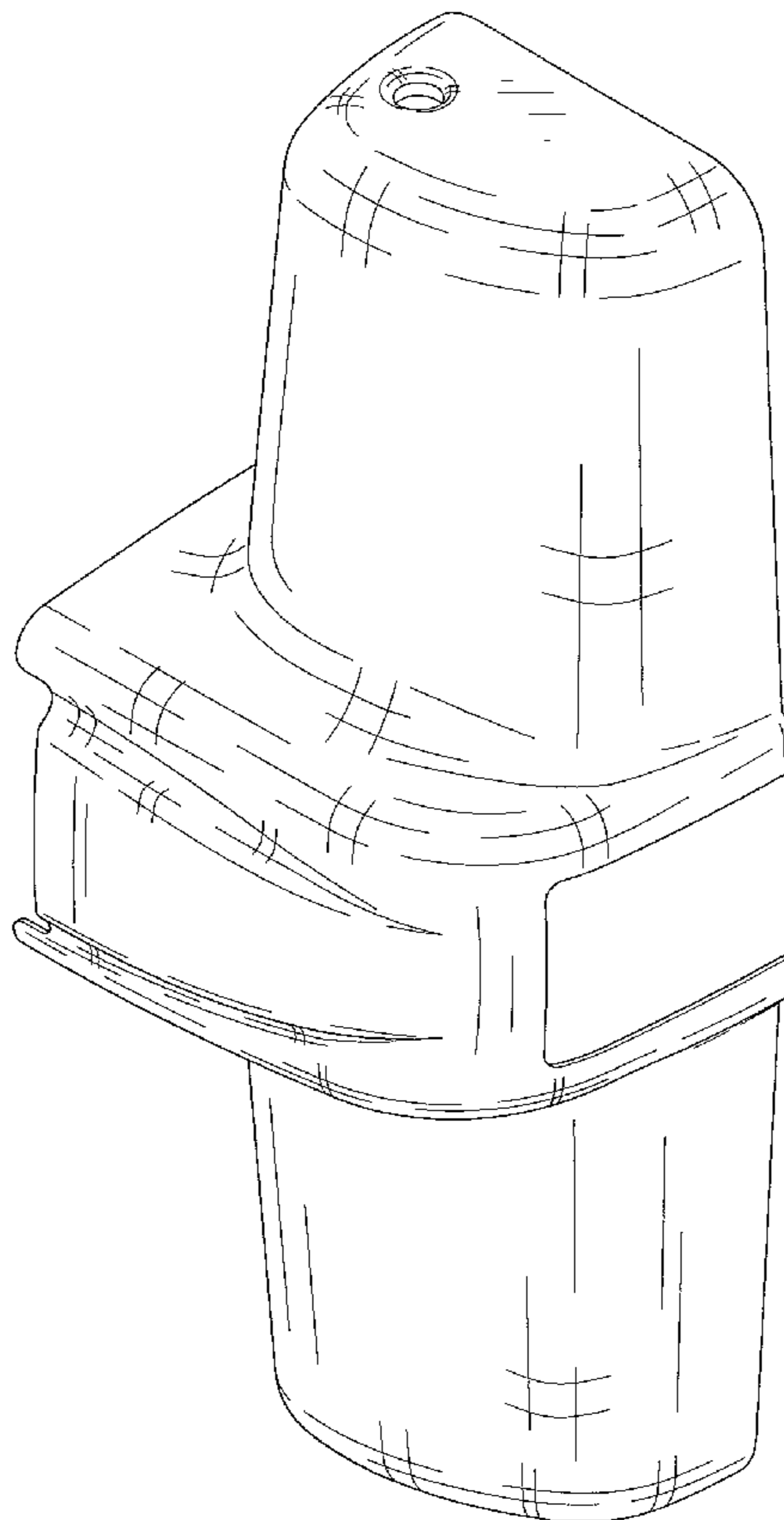
FIG. 4 is a left elevational view thereof;

FIG. 5 is a right elevational view thereof;

FIG. 6 is a top plan view thereof; and,

FIG. 7 is a bottom plan view thereof.

1 Claim, 7 Drawing Sheets



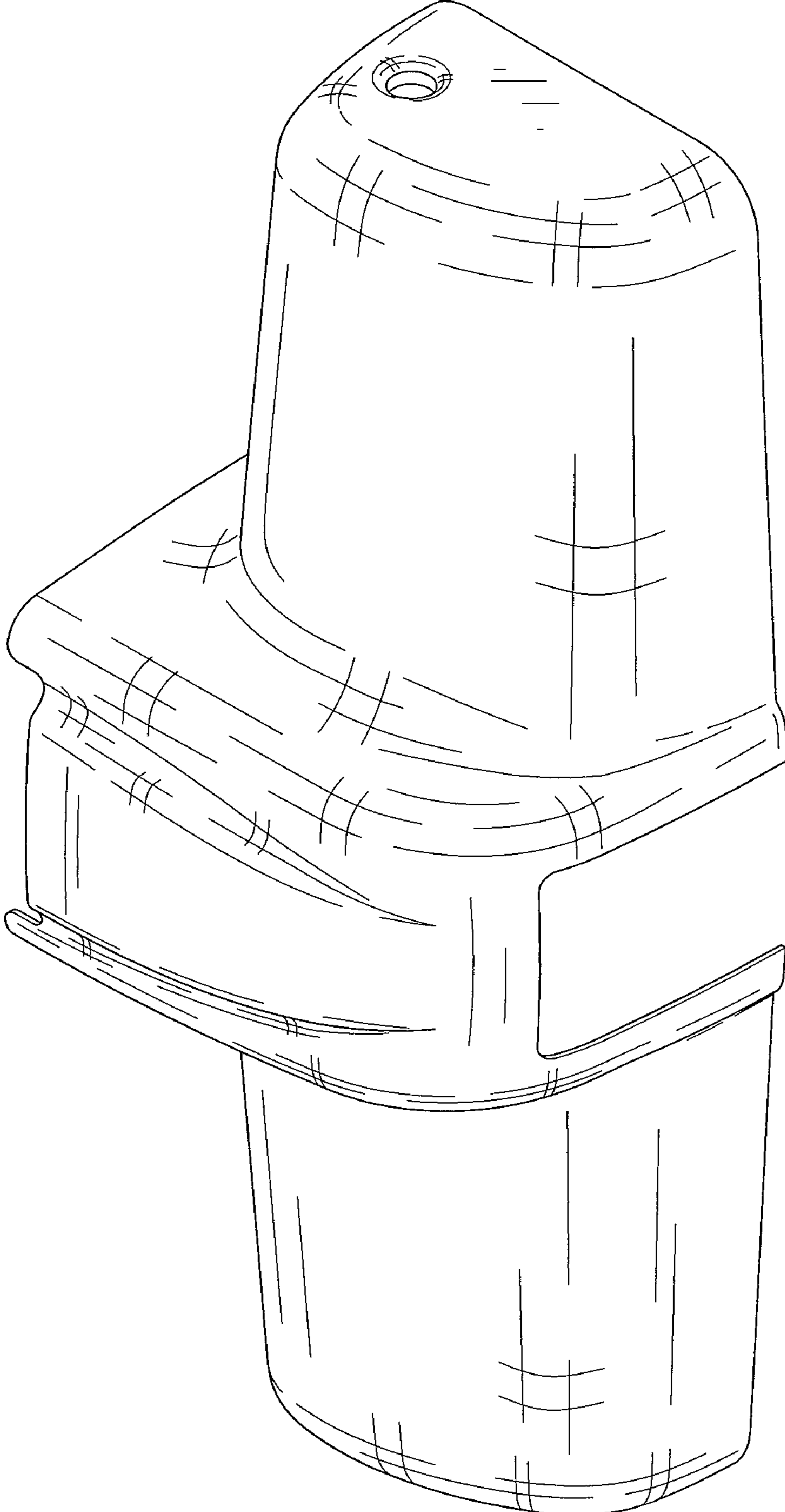


FIG.1

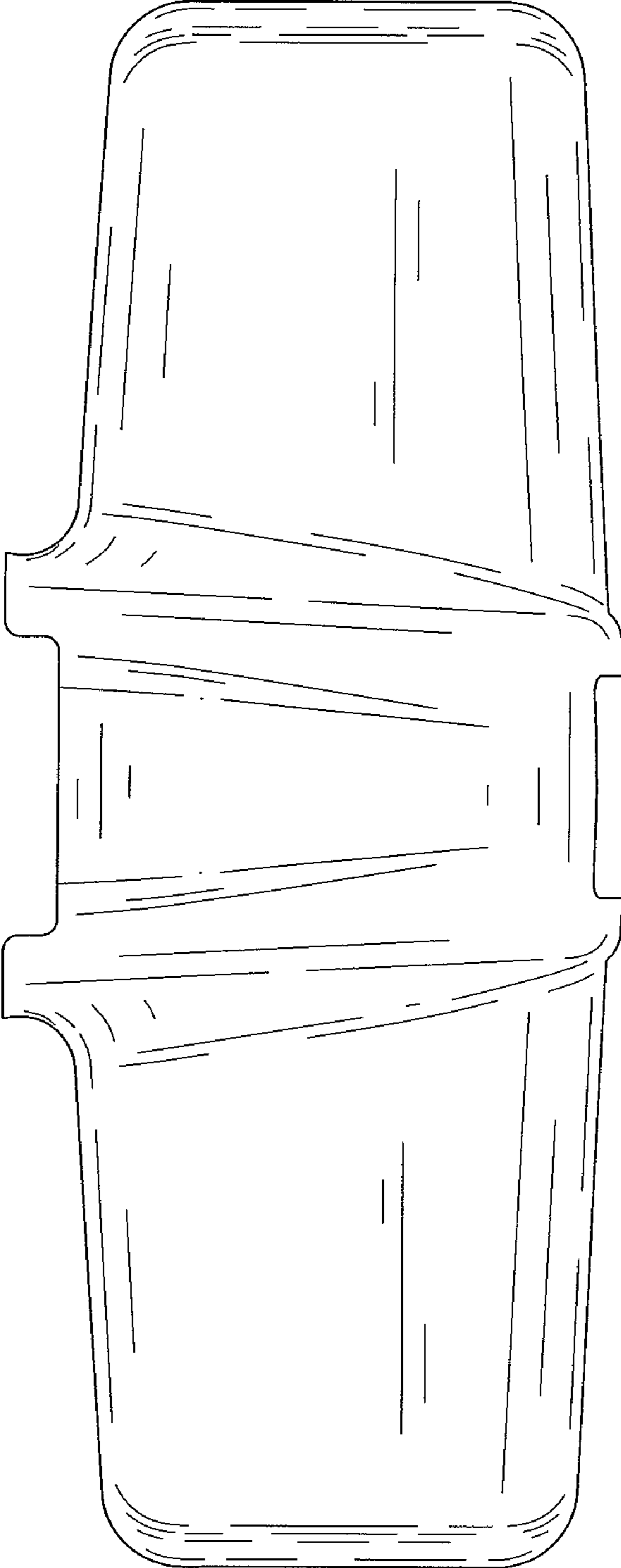


FIG.2

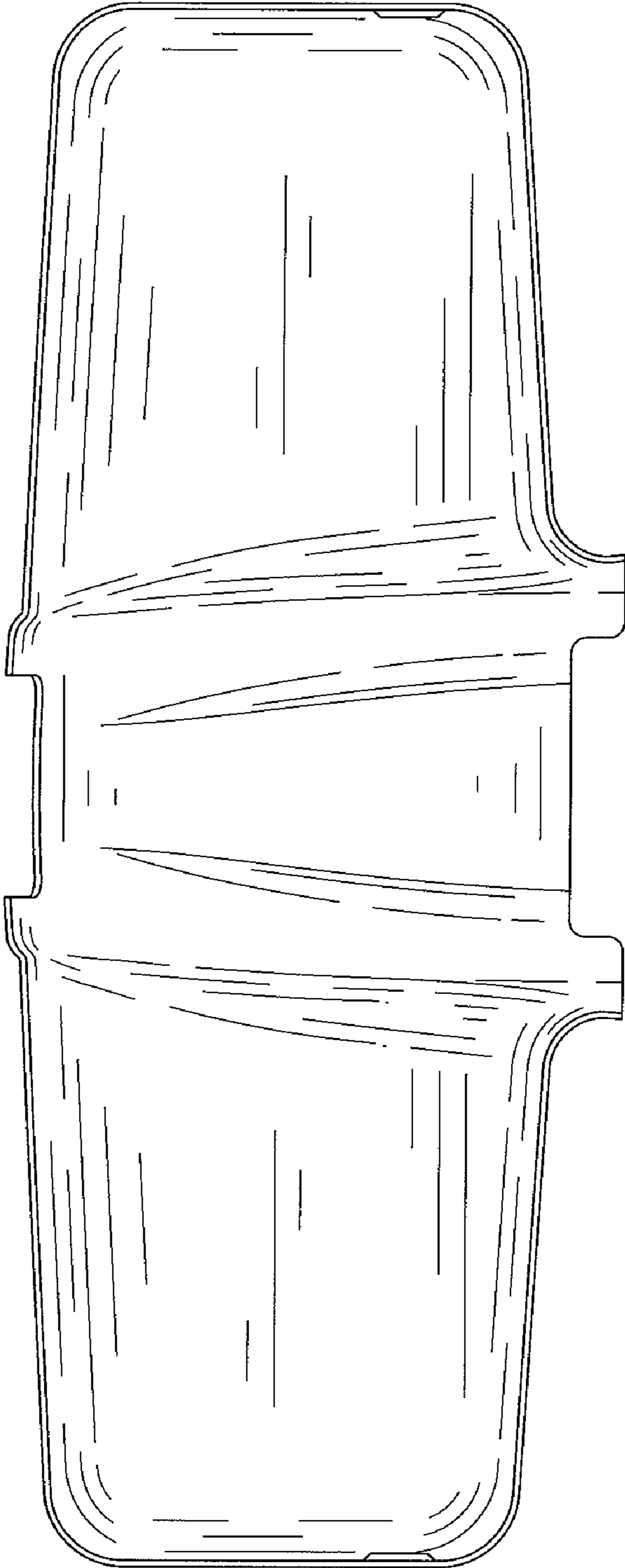


FIG.3

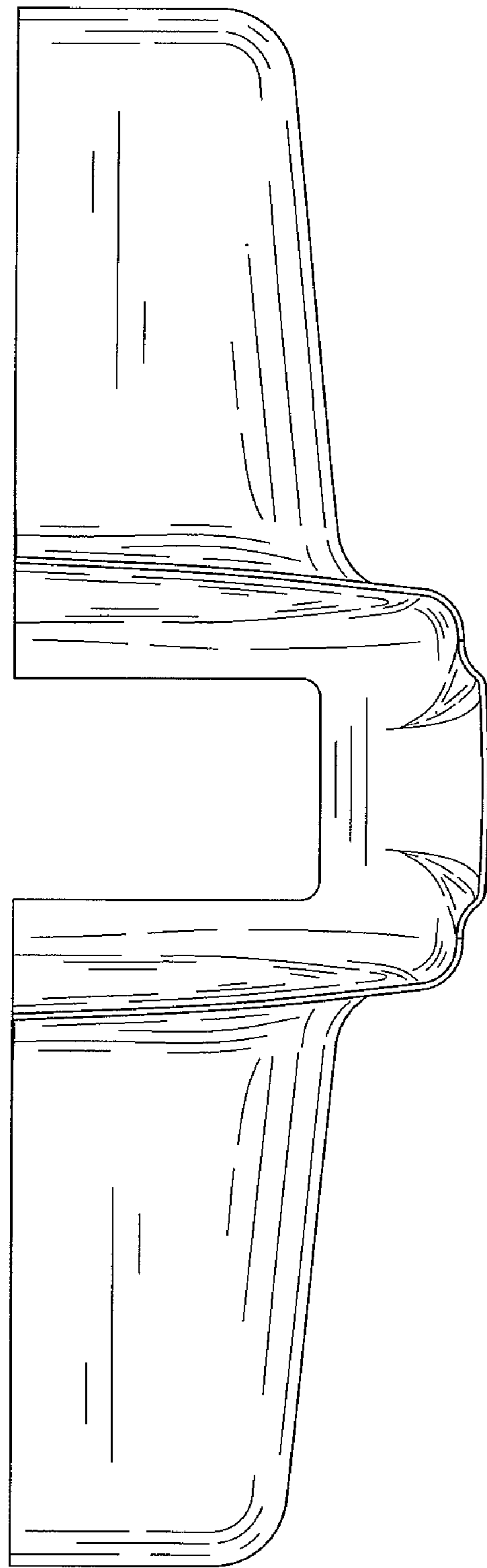


FIG.4

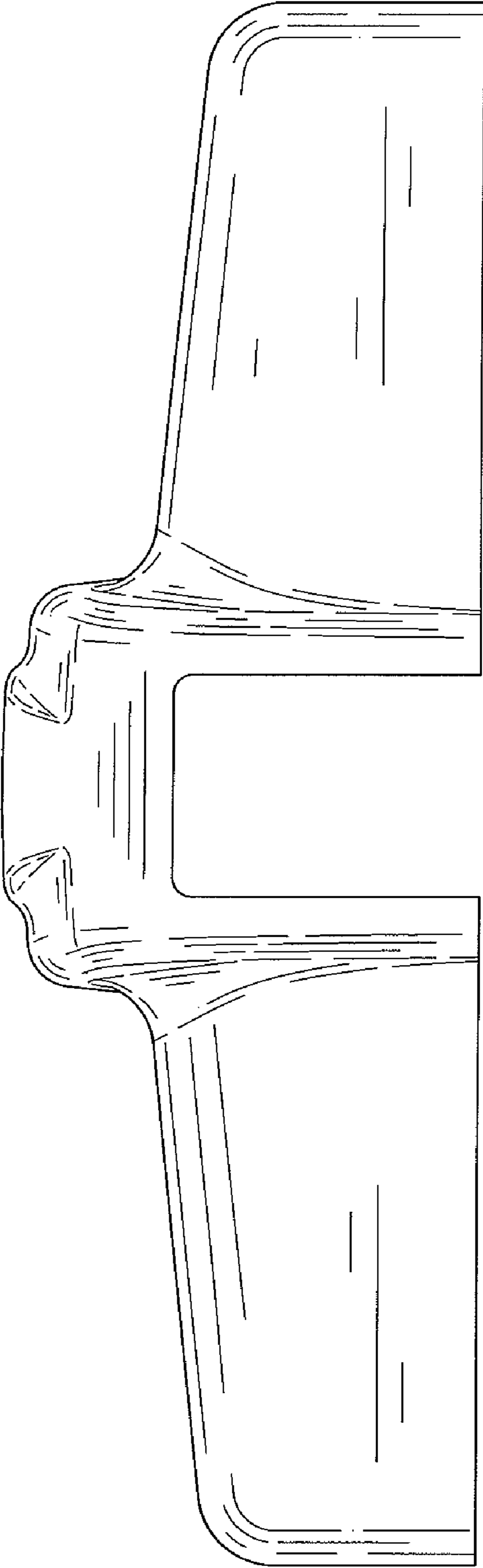


FIG.5

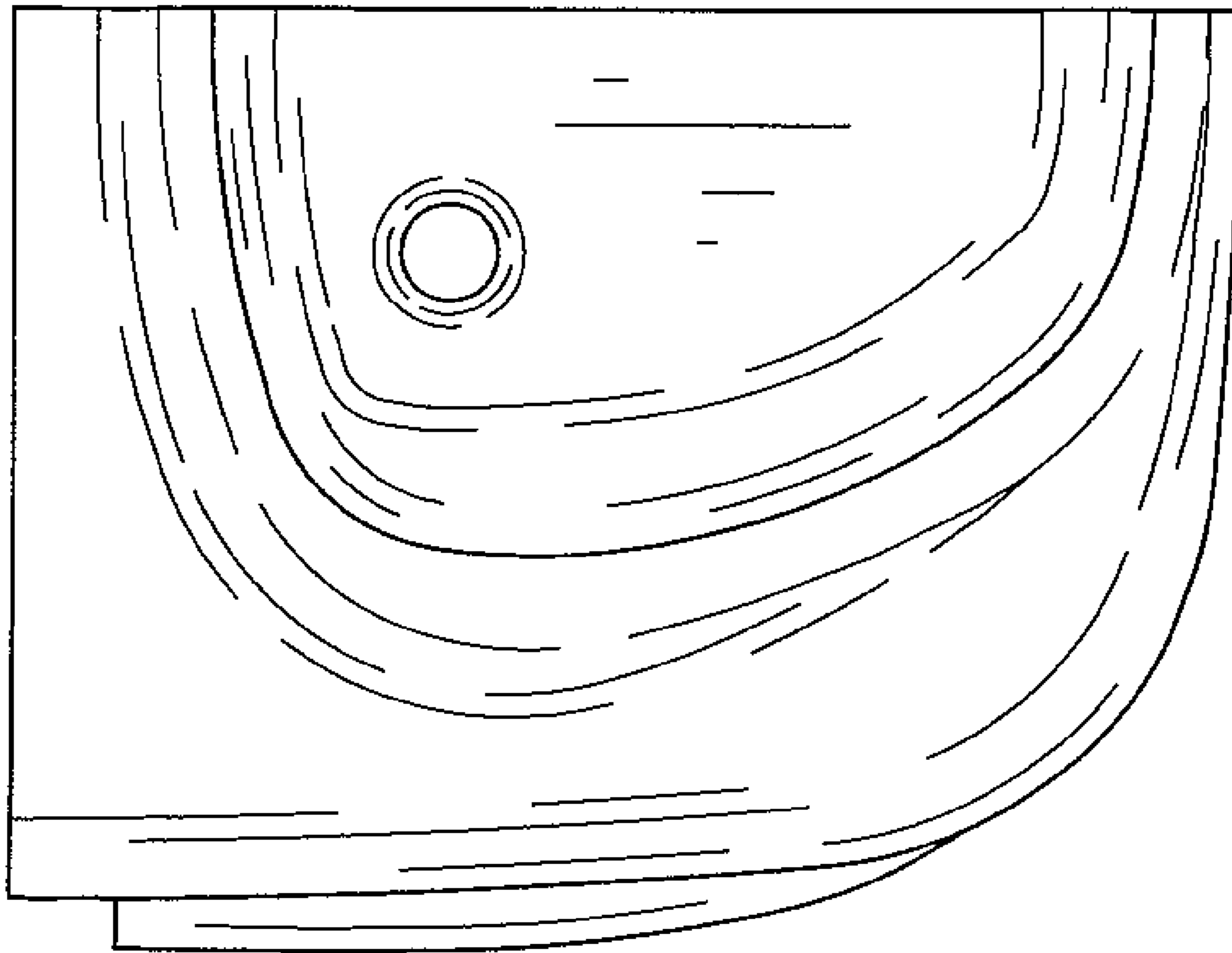


FIG.6

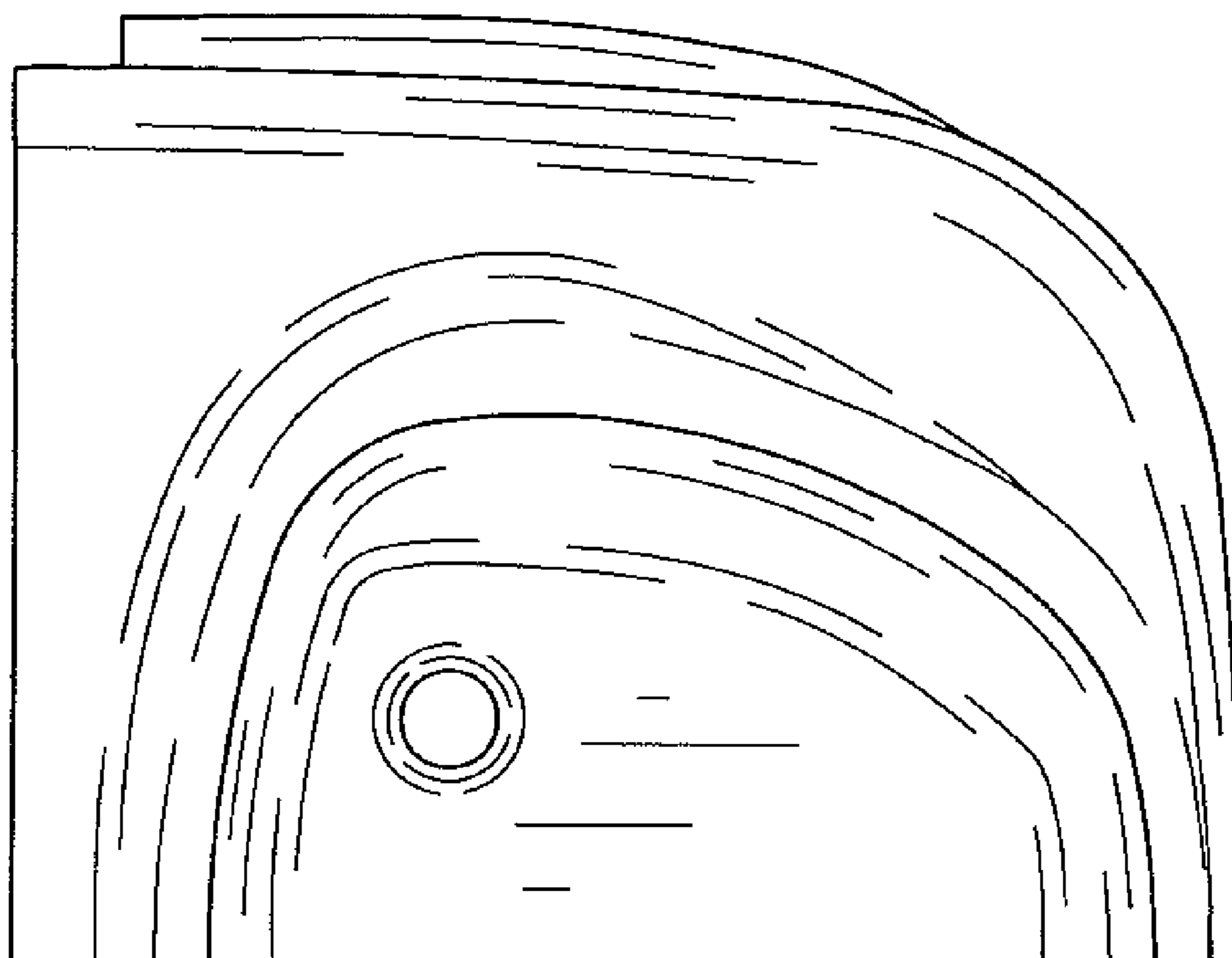


FIG.7