



US00D623493S

(12) **United States Design Patent**  
**Anderson**

(10) **Patent No.:** **US D623,493 S**

(45) **Date of Patent:** **\*\* Sep. 14, 2010**

(54) **PLIERS**

(75) Inventor: **Alan D. Anderson**, Willow Spring, NC  
(US)

(73) Assignee: **Cooper Brands, Inc.**, Houston, TX (US)

(\*\*) Term: **14 Years**

(21) Appl. No.: **29/291,091**

(22) Filed: **Aug. 13, 2007**

(51) **LOC (9) Cl.** ..... **08-05**

(52) **U.S. Cl.** ..... **D8/52**

(58) **Field of Classification Search** ..... D8/1,  
D8/4, 14, 51-58, 60, 105-107; 81/300, 318,  
81/324, 326, 385, 393, 407, 415-418, 420,  
81/424.5, 426, 426.5, 427, 427.5, 9.4, 9.41,  
81/9.42, 9.43

See application file for complete search history.

(56) **References Cited**

**U.S. PATENT DOCUMENTS**

- 2,563,267 A \* 8/1951 Petersen ..... 81/424.5
- 2,574,676 A \* 11/1951 Waterbury ..... 81/369
- 3,375,693 A \* 4/1968 Hougen ..... 72/325
- 3,600,986 A \* 8/1971 Baldwin ..... 81/370
- 4,044,413 A \* 8/1977 Tucker ..... 7/125
- D260,476 S \* 9/1981 Knaus ..... D8/55
- 4,289,050 A \* 9/1981 Scafaro ..... 81/311
- D261,096 S \* 10/1981 Petersen ..... D8/22
- 4,373,373 A \* 2/1983 Schaefer ..... 72/413
- 4,505,011 A \* 3/1985 Dupuy ..... 24/540
- 4,541,312 A \* 9/1985 Petersen ..... 81/367
- 4,709,601 A \* 12/1987 Petersen ..... 81/367
- 4,730,524 A \* 3/1988 Petersen ..... 81/367
- D297,103 S \* 8/1988 Parish, Sr. .... D8/52
- 4,982,631 A \* 1/1991 Lowther ..... 81/426
- D355,825 S \* 2/1995 Moyer ..... D8/52
- D358,746 S \* 5/1995 Neff ..... D8/52
- D377,588 S 1/1997 Birkholz
- 5,964,130 A \* 10/1999 Wang ..... 81/424
- 6,012,362 A \* 1/2000 Wang ..... 81/368
- D426,440 S \* 6/2000 Torres ..... D8/52

- D434,955 S \* 12/2000 Ronan ..... D8/5
- D437,756 S \* 2/2001 Lin ..... D8/52
- 6,212,979 B1 \* 4/2001 Wang ..... 81/427.5

(Continued)

**FOREIGN PATENT DOCUMENTS**

TW 370445 9/1999

(Continued)

**OTHER PUBLICATIONS**

Japanese magazine cited in corresponding Taiwan Design Application, issued Feb. 21, 2003, cover and p. 71.

(Continued)

*Primary Examiner*—Cathron C Brooks  
*Assistant Examiner*—Deanna Fluegeman  
(74) *Attorney, Agent, or Firm*—SAIDMAN DesignLaw Group

(57) **CLAIM**

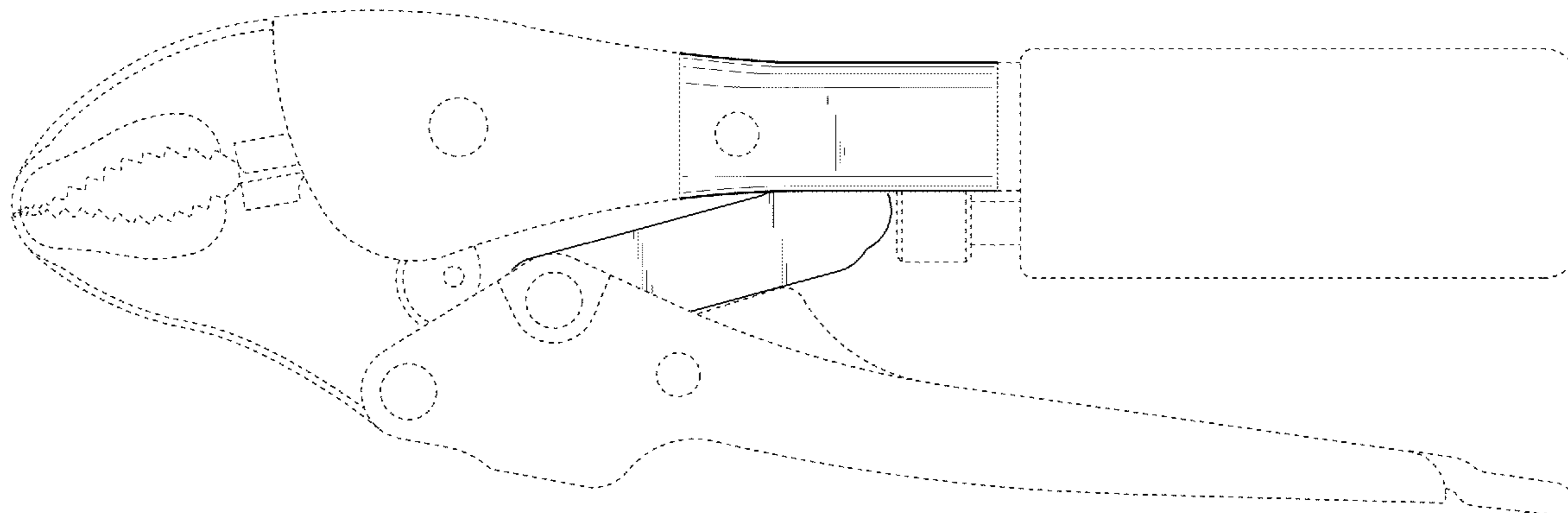
The ornamental design for a pliers, as shown and described.

**DESCRIPTION**

FIG. 1 is a front perspective view of an embodiment of a pliers showing my new design;  
FIG. 2 is a front view thereof;  
FIG. 3 is a rear view thereof;  
FIG. 4 is a left side view thereof, the right side view being a mirror image thereof;  
FIG. 5 is a top view thereof;  
FIG. 6 is a bottom view thereof; and,  
FIG. 7 is a rear perspective view thereof.

The dashed broken lines are environmental only and form no part of the claimed design. The dotted broken lines indicate boundaries and form no part of the claimed design.

**1 Claim, 5 Drawing Sheets**



# US D623,493 S

Page 2

---

## U.S. PATENT DOCUMENTS

D447,027 S 8/2001 Lin  
6,408,724 B1 6/2002 Whiteford  
D462,247 S \* 9/2002 Hackman ..... D8/52  
D470,373 S \* 2/2003 Ferreria et al. .... D8/52  
D472,438 S 4/2003 Peperkorn et al.  
6,591,719 B1 7/2003 Poole et al.  
6,776,072 B2 8/2004 Poole et al.  
6,862,961 B2 3/2005 Winkler  
7,024,911 B2 \* 4/2006 Delhumeau et al. .... 72/409.12  
D543,429 S 5/2007 Norin

## FOREIGN PATENT DOCUMENTS

WO WO 97/34738 9/1997

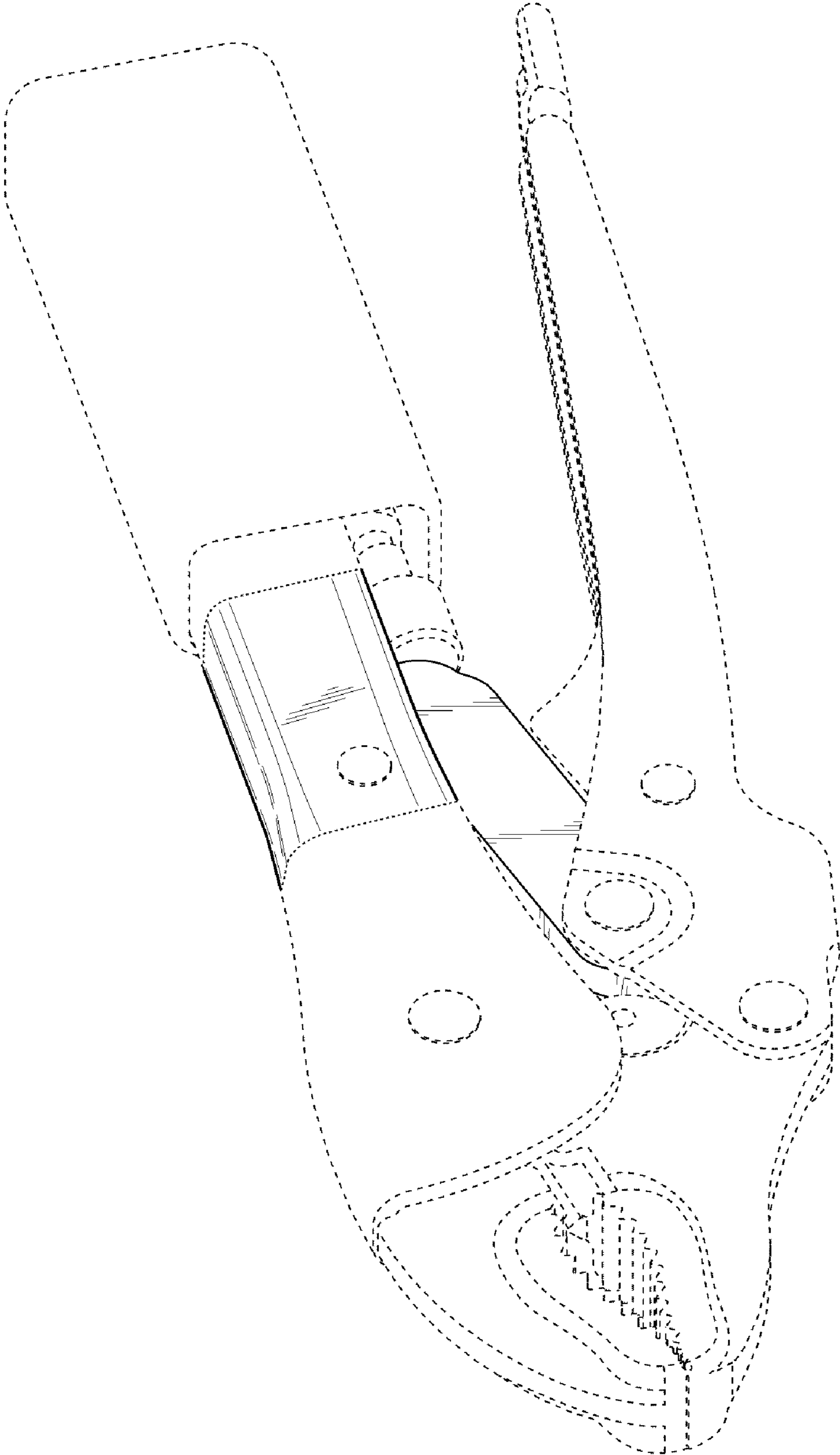
## OTHER PUBLICATIONS

Crescent 10" Curved Jaw Locking Plier With Wire Cutter. Carded; www.cooperhandtools.com, catalog No. C1OCV, offered for sale before Aug. 13, 2007.

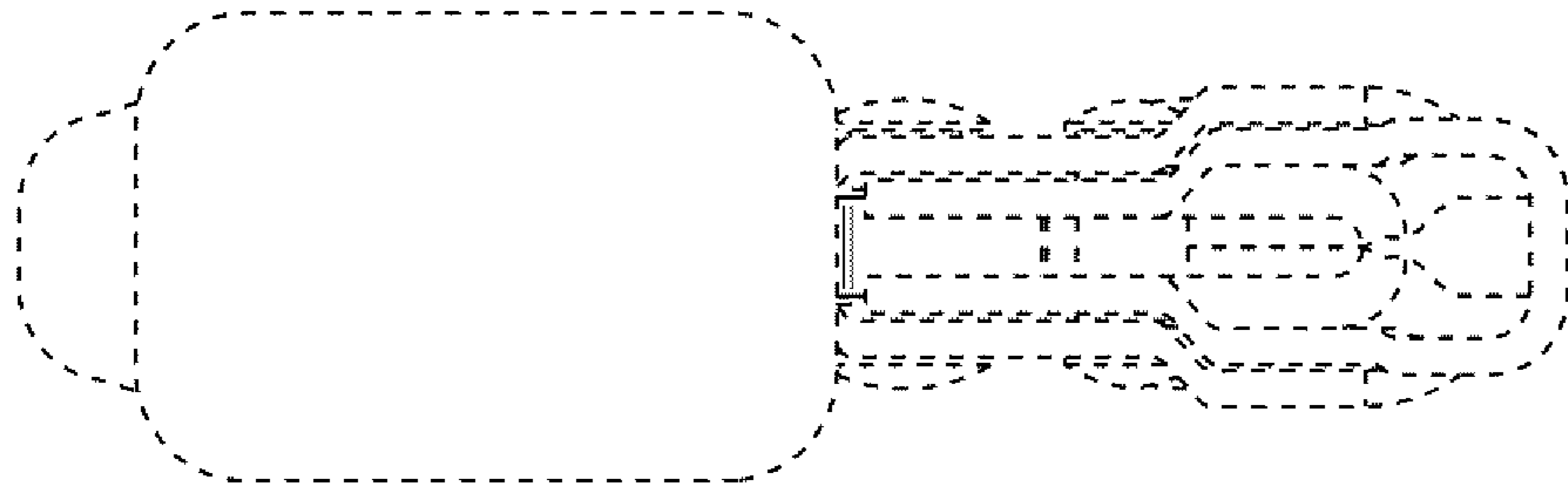
Various photographs of Lockjaw 10" Self-Adjusting Pliers; offered for sale before Aug. 13, 2007.

Various photographs of Craftsman Professional AutoLock; offered for sale before Aug. 13, 2007.

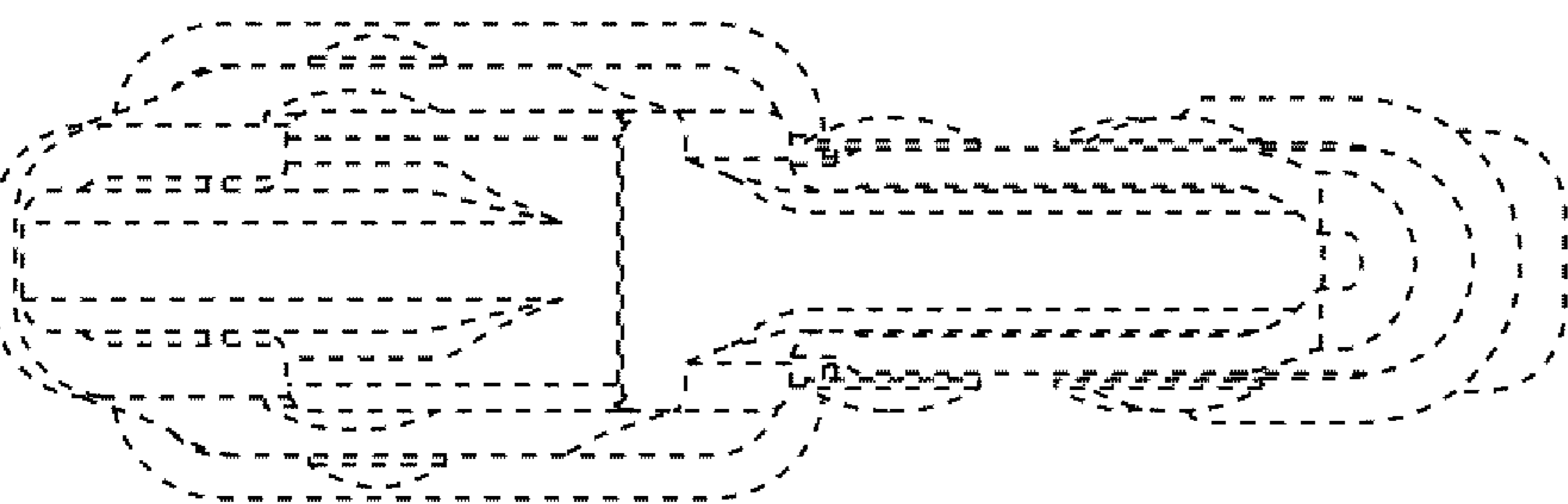
\* cited by examiner



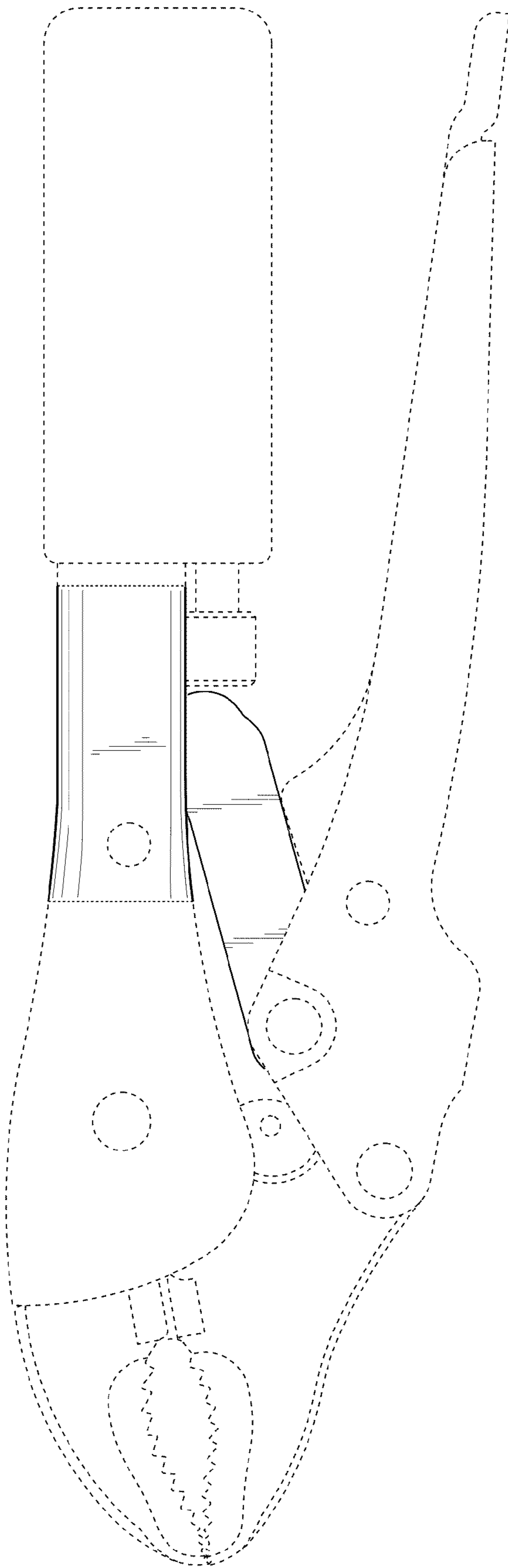
**Fig. 1**



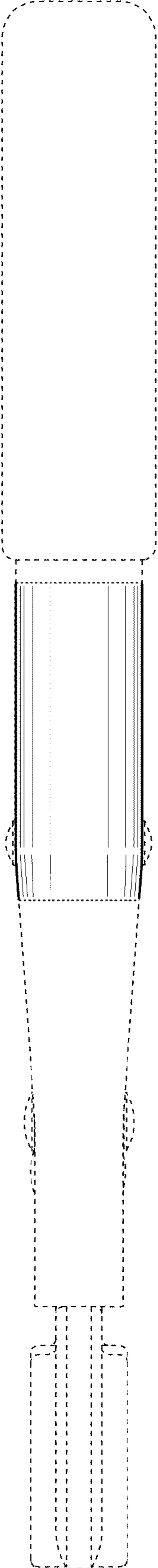
**Fig. 2**



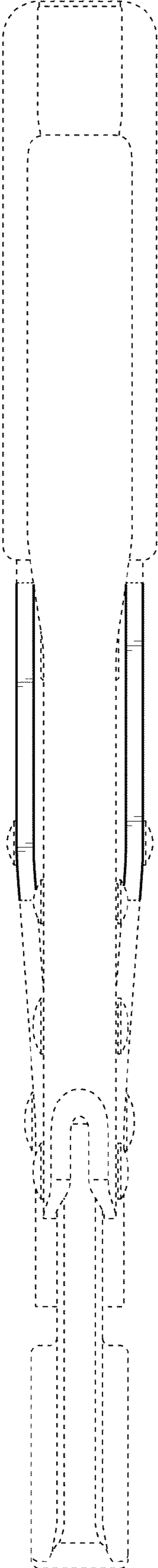
**Fig. 3**



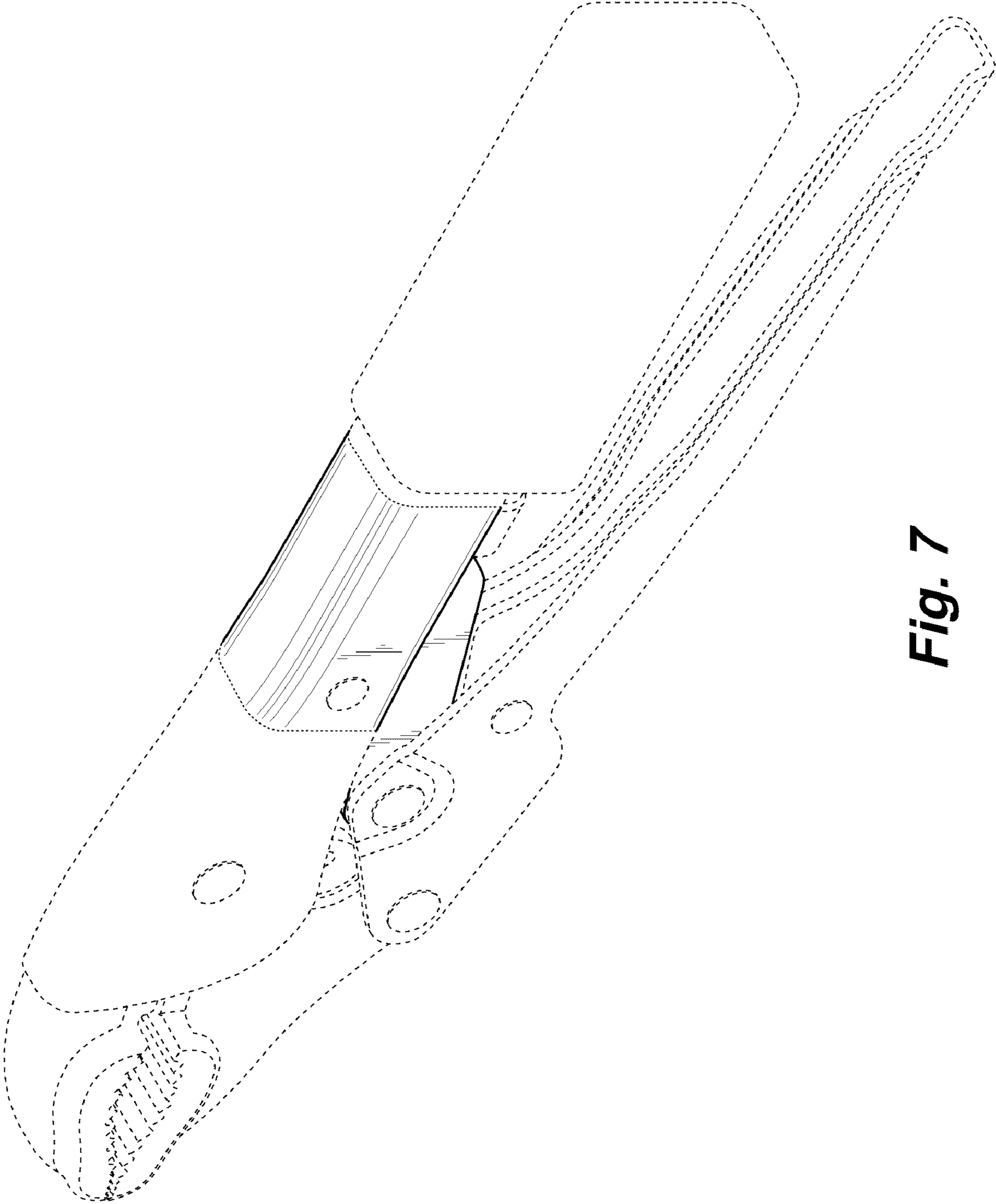
**Fig. 4**



**Fig. 5**



**Fig. 6**



**Fig. 7**