



US00D623491S

(12) **United States Design Patent**
Vossbrinck

(10) **Patent No.:** **US D623,491 S**

(45) **Date of Patent:** **** Sep. 14, 2010**

(54) **TORQUE WRENCH**

(75) Inventor: **Craig Vossbrinck**, Scotts Valley, CA
(US)

(73) Assignee: **AIMCO**, Portland, OR (US)

(**) Term: **14 Years**

(21) Appl. No.: **29/291,999**

(22) Filed: **Sep. 25, 2007**

(51) **LOC (9) Cl.** **08-05**

(52) **U.S. Cl.** **D8/24**

(58) **Field of Classification Search** D8/21-29,
D8/81-87, 102-107, 98, 99, 55, 93, 94; 81/60-63.2,
81/177.1, 177.85, 177.8, 489, 125.1, 121.1,
81/119-120, 176.1, 186, 177.9, 185.1, 176.2,
81/165, 170, 3.35, 58, 3.345, 155; 206/378;
16/429, 441, 124.6; 7/100, 138, 168, 157
See application file for complete search history.

(56) **References Cited**

U.S. PATENT DOCUMENTS

4,070,932 A * 1/1978 Jeannotte 81/177.2
D286,973 S * 12/1986 Grabovac D8/24
6,167,788 B1 * 1/2001 Schonberger et al. 81/467
6,796,190 B2 * 9/2004 Curry 73/862.21
D497,294 S * 10/2004 Becker et al. D8/25
D520,309 S * 5/2006 Hsien D8/25
D525,853 S * 8/2006 Hsieh D8/107
7,107,884 B2 * 9/2006 Cutler et al. 81/479

D530,166 S * 10/2006 Becker et al. D8/24
D533,038 S * 12/2006 Hsu D8/24
D562,093 S * 2/2008 Wu D8/24

* cited by examiner

Primary Examiner—Raphael Barkai

Assistant Examiner—Randall H Gholson

(74) *Attorney, Agent, or Firm*—Peter E. Heuser; Schwabe,
Williamson and Wyatt

(57) **CLAIM**

The ornamental design for a torque wrench, substantially as shown and described.

DESCRIPTION

FIG. 1 is a front view of a torque wrench showing my new design, in which a torque-applying arm portion is visible.

FIG. 2 is a back view thereof, in which a handle portion of the torque wrench is visible.

FIG. 3 is a top, left side isometric view thereof, the torque-applying arm portion of the torque wrench having a first length.

FIG. 4 is a right side view thereof.

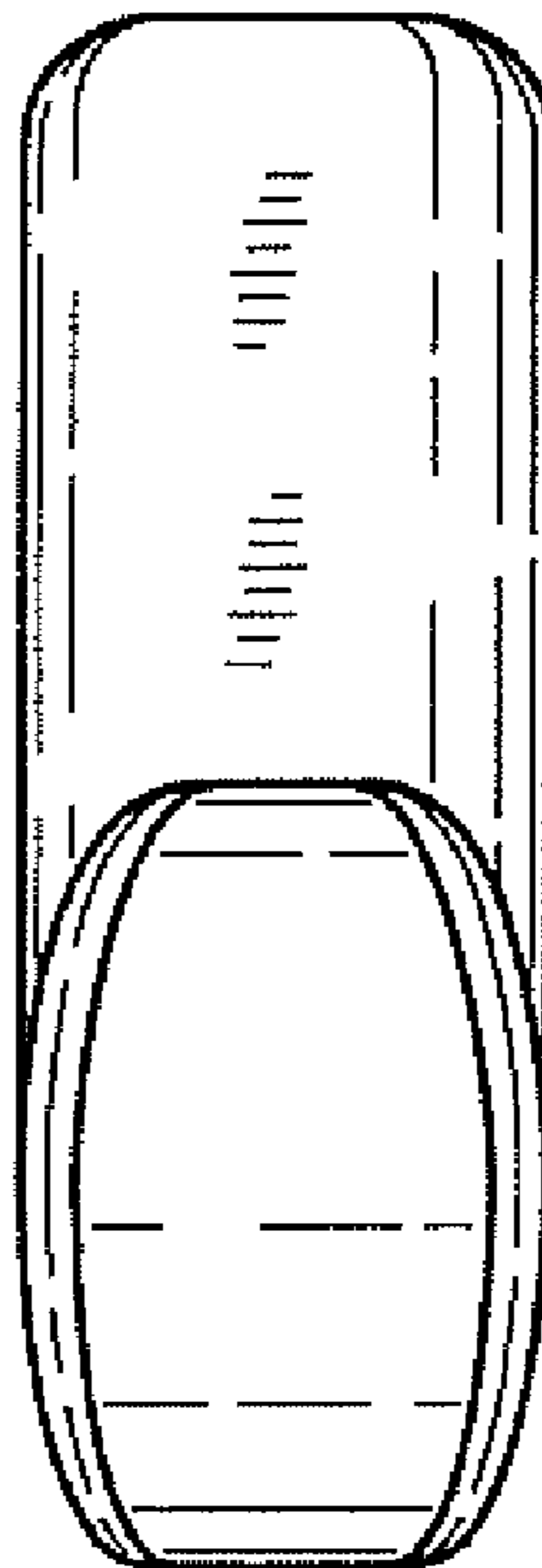
FIG. 5 is a left side view thereof.

FIG. 6 is a top view thereof; and,

FIG. 7 is a bottom view thereof.

The broken lines shown on the torque wrench are directed to features not a part of the claimed design.

1 Claim, 2 Drawing Sheets



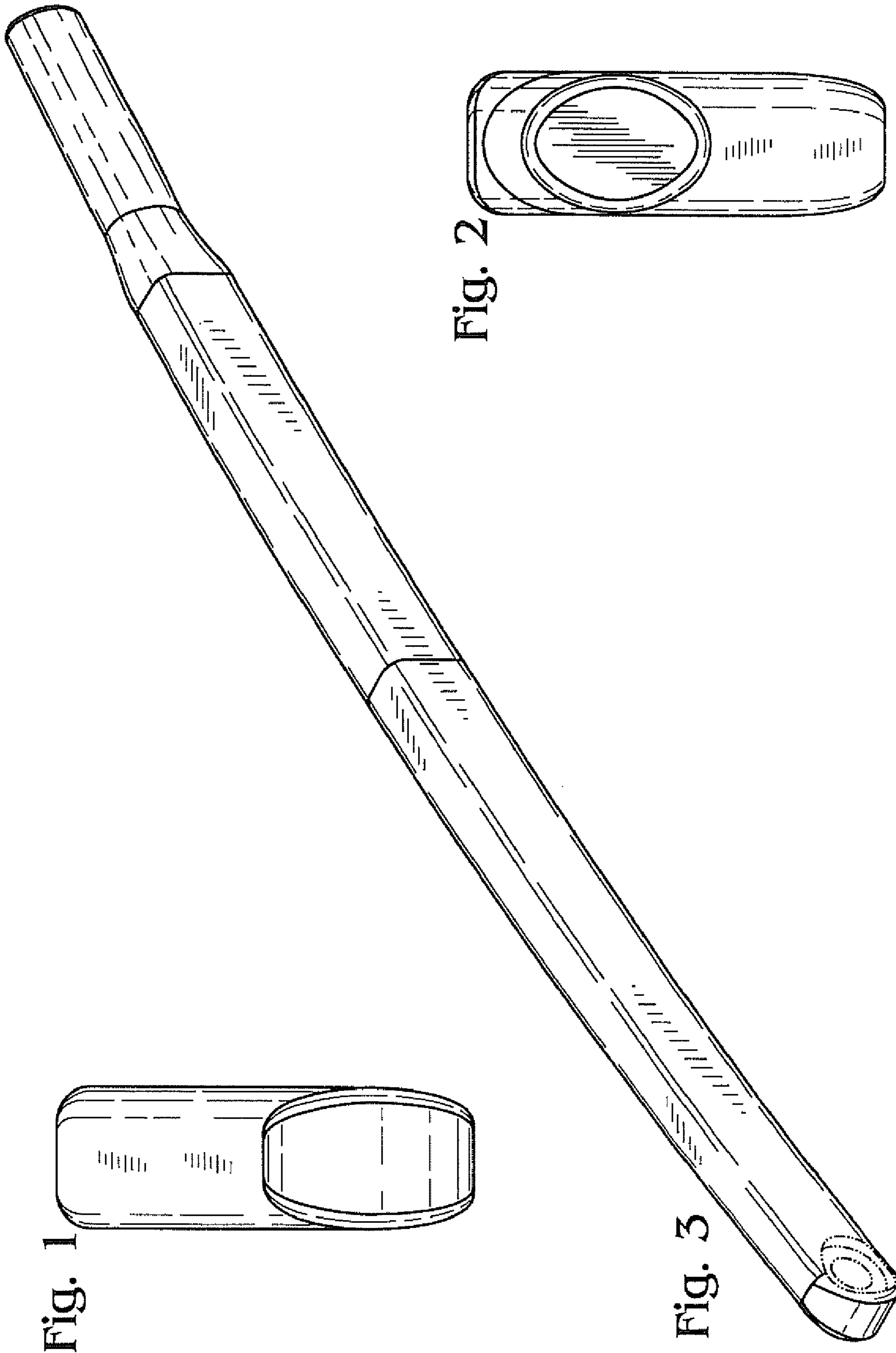


Fig. 4

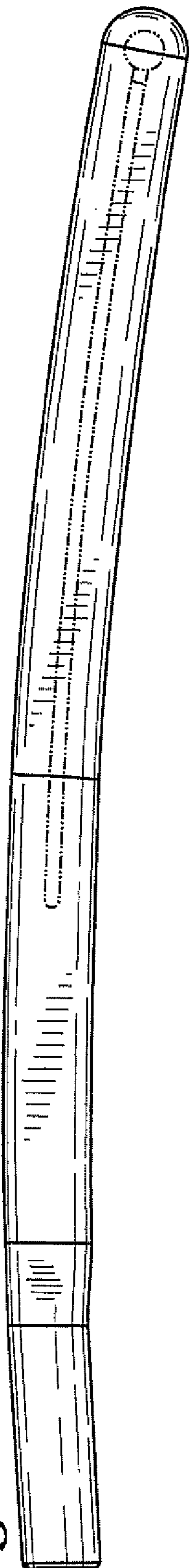


Fig. 5

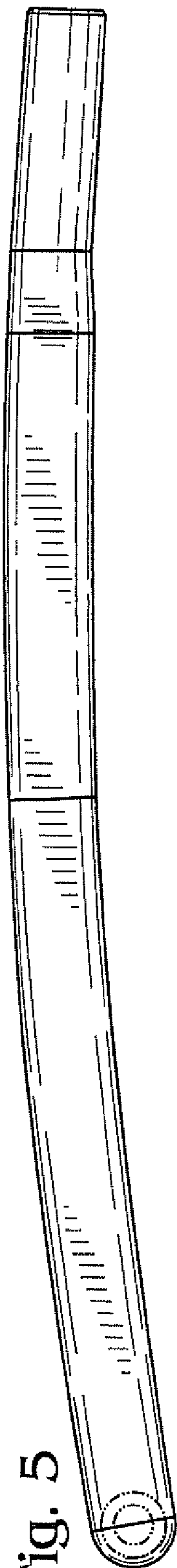


Fig. 6

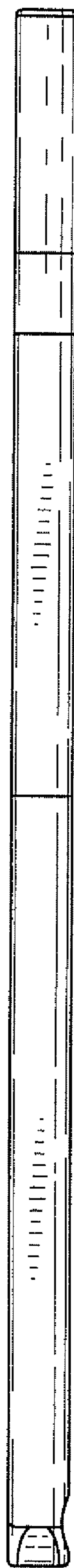


Fig. 7

