

US00D623484S

(12) **United States Design Patent**
Lenge

(10) **Patent No.:** **US D623,484 S**

(45) **Date of Patent:** **** Sep. 14, 2010**

(54) **FORK**

(76) **Inventor:** **Frank L. Lenge**, 814 Laning St.,
Southington, CT (US) 06489

(**) **Term:** **14 Years**

(21) **Appl. No.:** **29/349,119**

(22) **Filed:** **Mar. 10, 2010**

(51) **LOC (9) Cl.** **07-03**

(52) **U.S. Cl.** **D7/653**

(58) **Field of Classification Search** D7/368,
D7/395, 401.2, 642-646, 649-654, 660-669,
D7/675-676, 683, 688-692, 695-696; 30/137,
30/141-143, 147-150, 322-327, 329, 340,
30/342-346; 416/70 R

See application file for complete search history.

(56) **References Cited**

U.S. PATENT DOCUMENTS

- D167,664 S * 9/1952 Wagner D7/662
- D271,267 S * 11/1983 Cassini D7/653
- D334,511 S * 4/1993 Gebhardt D7/662

- D411,412 S * 6/1999 Morrison D7/401.2
- D593,379 S * 6/2009 Thompson D7/653
- D599,175 S * 9/2009 Ito D7/653

* cited by examiner

Primary Examiner—Caron Veynar

Assistant Examiner—Ricky Pham

(74) *Attorney, Agent, or Firm*—Dorothy S. Morse

(57) **CLAIM**

The ornamental design for a fork, as shown and described.

DESCRIPTION

FIG. 1 is a back view of a fork according to my new design;

FIG. 2 is a front view thereof;

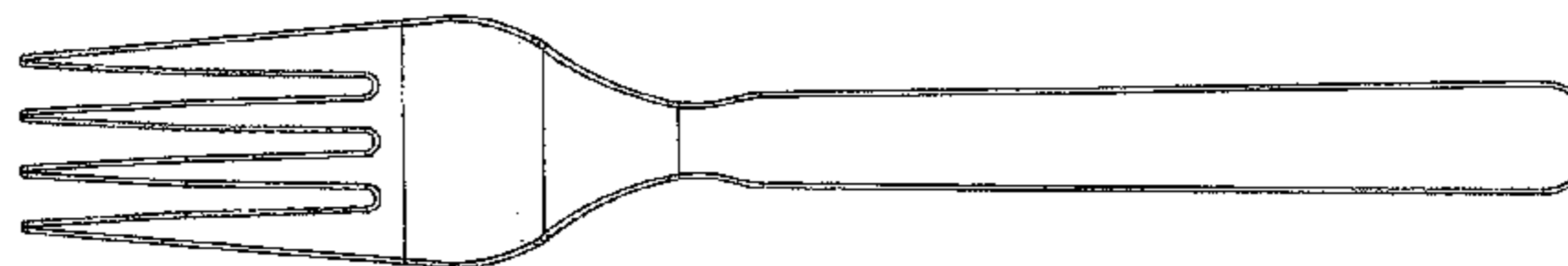
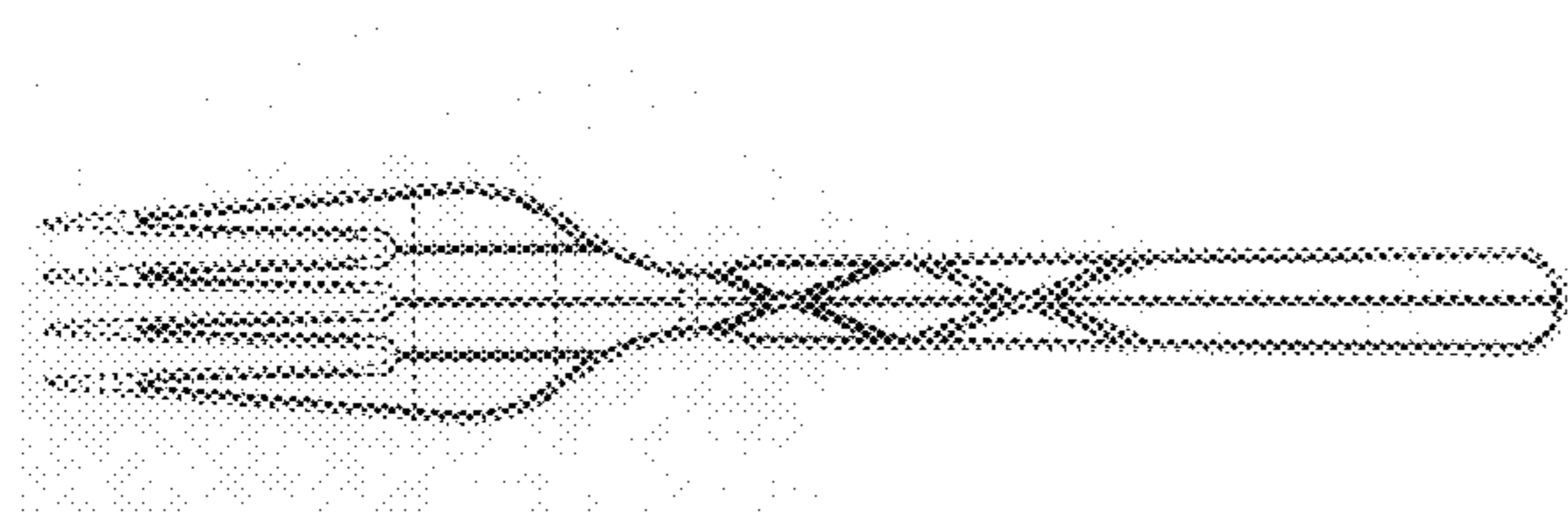
FIG. 3 is a side view thereof, with the opposing side being the mirror image of the side shown in FIG. 3;

FIG. 4 is an enlarged rear view thereof;

FIG. 5 is an enlarged front view thereof; and,

FIG. 6 is a perspective view thereof.

1 Claim, 6 Drawing Sheets



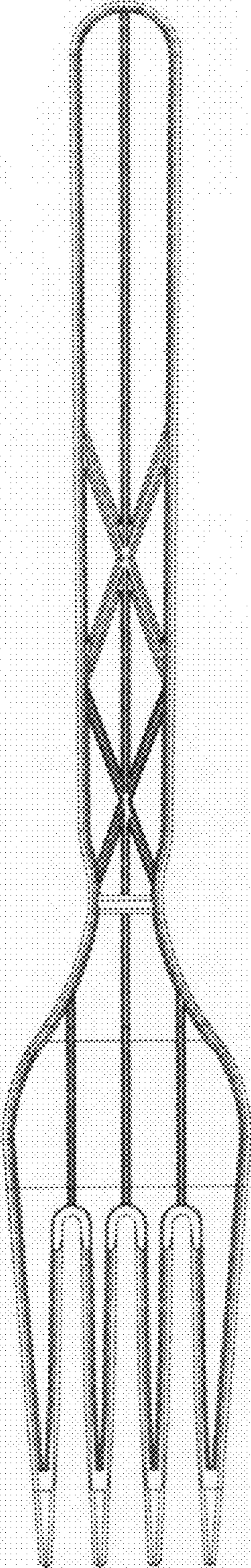


FIGURE 1

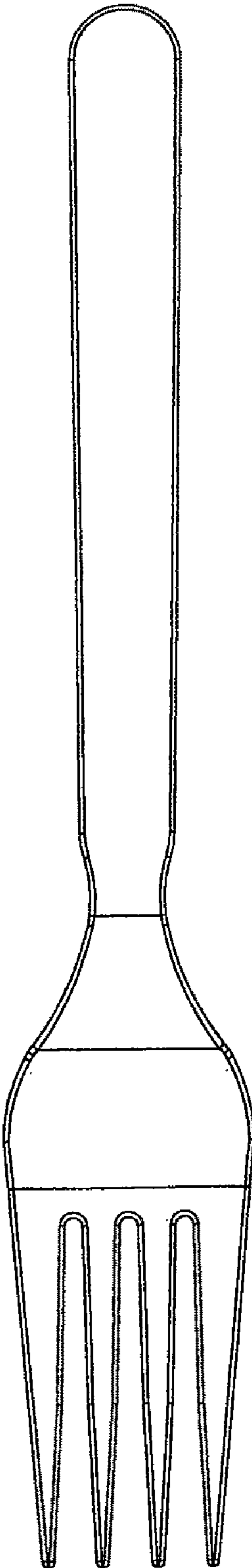


FIGURE 2

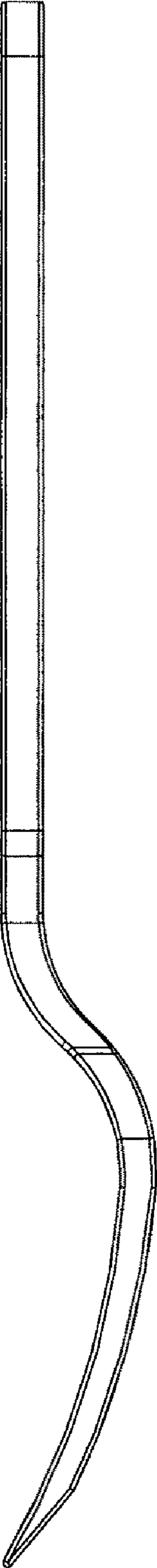


FIGURE 3

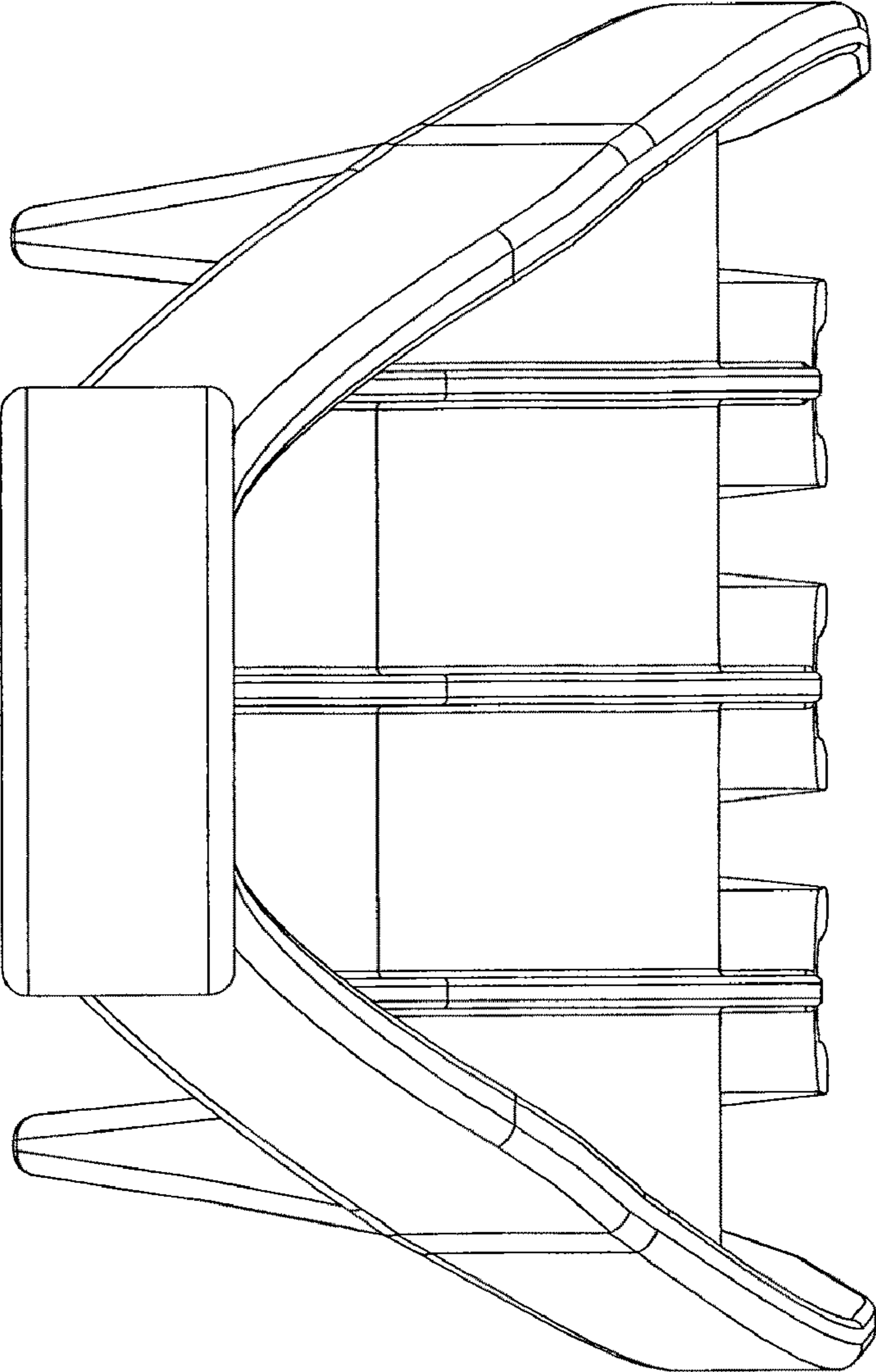


FIGURE 4

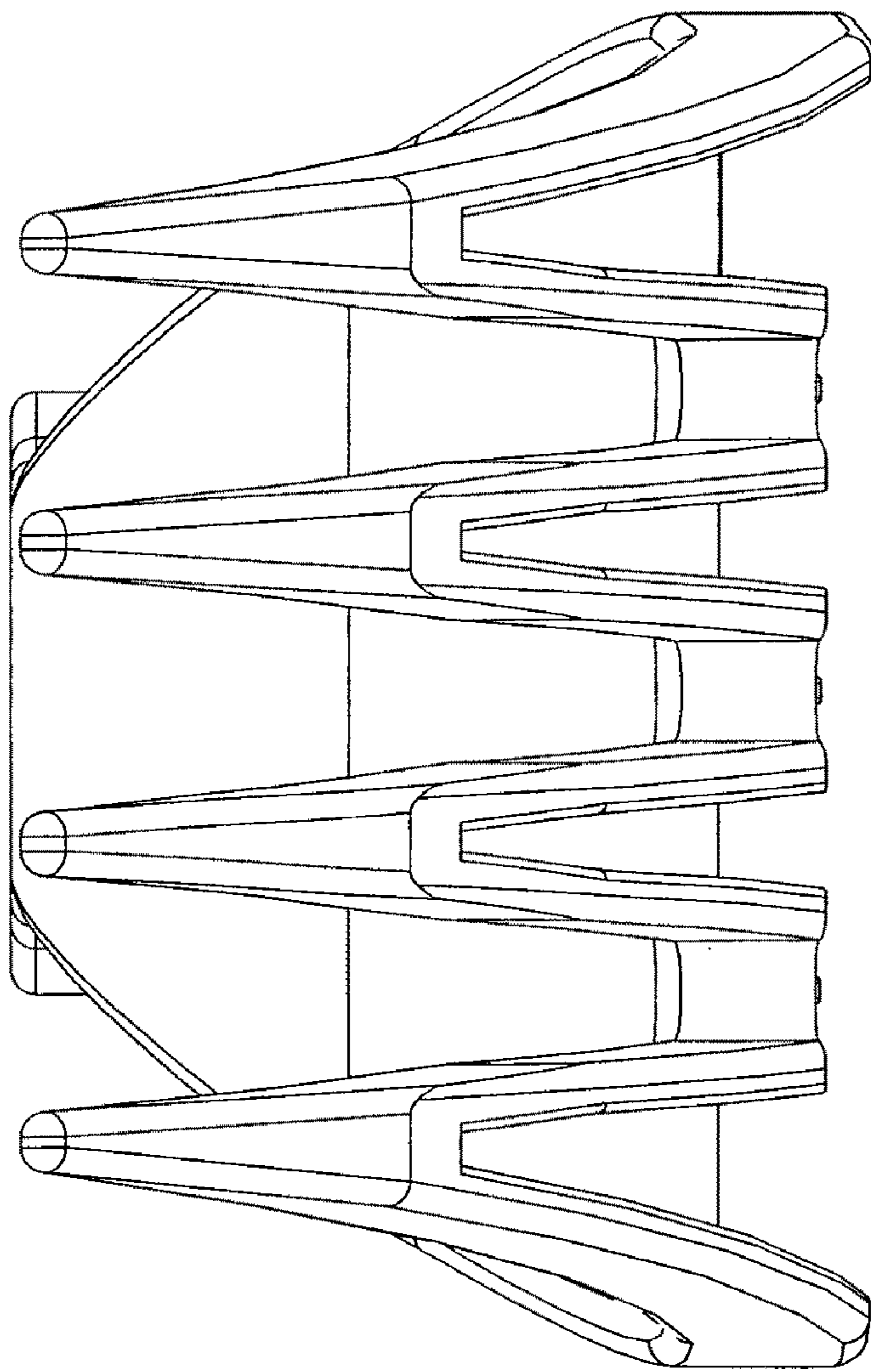


FIGURE 5

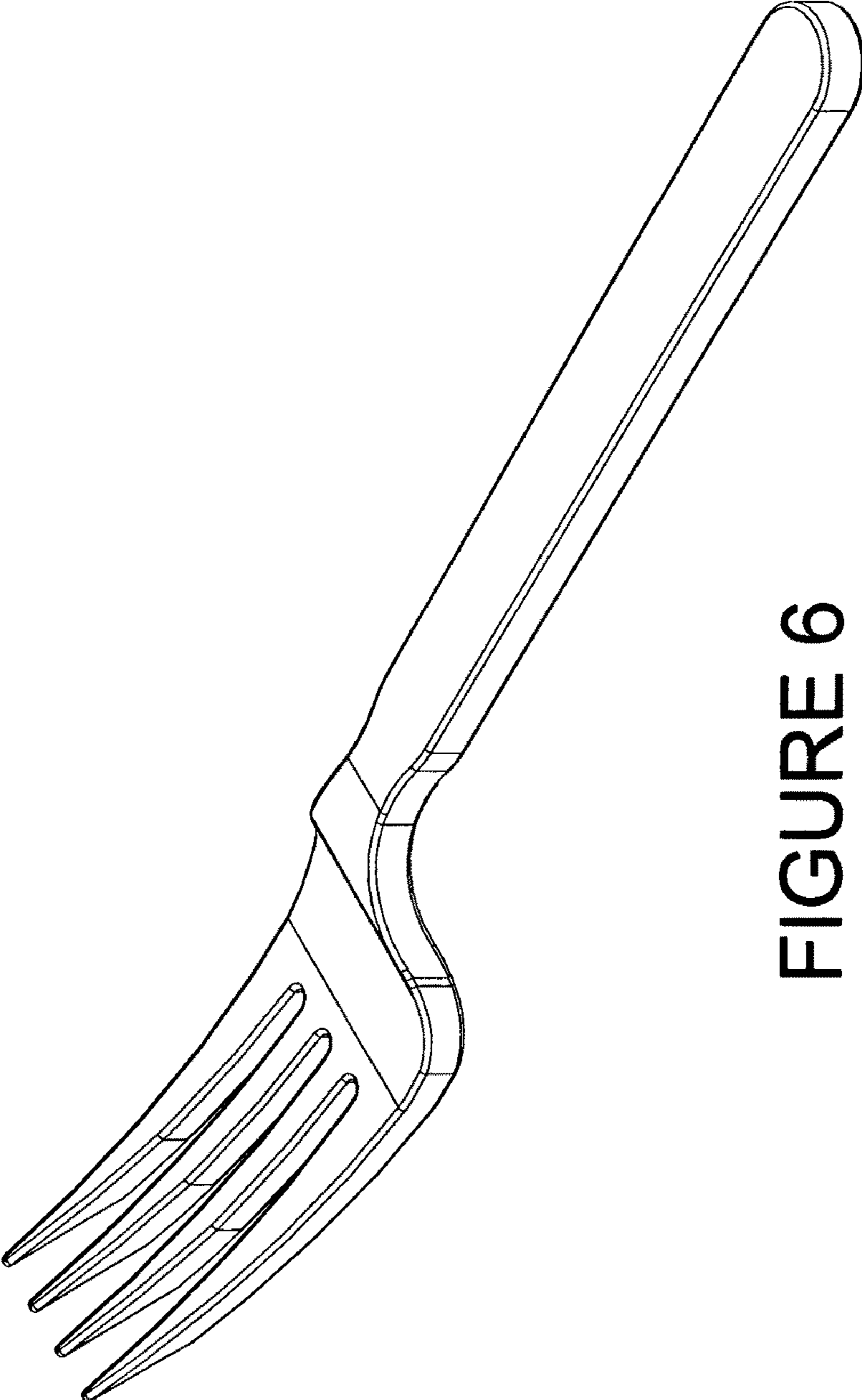


FIGURE 6