



US00D623482S

(12) **United States Design Patent**  
**Lam**

(10) **Patent No.:** **US D623,482 S**

(45) **Date of Patent:** **\*\* Sep. 14, 2010**

(54) **PRODUCE CONTAINER**

6,431,394 B2 \* 8/2002 Frankenberg ..... 220/826  
D580,170 S \* 11/2008 Klotzman et al. .... D3/272

(75) Inventor: **John Lam**, Homebush West (AU)

FOREIGN PATENT DOCUMENTS

(73) Assignee: **Multisteps Pty Ltd.** (AU)

AU 2003234951 6/2004  
AU 2006100311 6/2006  
AU 325245 3/2009  
AU 2009100244 4/2009

(\*\*) Term: **14 Years**

\* cited by examiner

(21) Appl. No.: **29/350,094**

(22) Filed: **Nov. 11, 2009**

*Primary Examiner*—Terry A Wallace

(30) **Foreign Application Priority Data**

(74) *Attorney, Agent, or Firm*—Morriss O'Bryant Compagni

May 11, 2009 (AU) ..... 11693/2009

(57) **CLAIM**

(51) **LOC (9) Cl.** ..... **07-07**

The ornamental design for the produce container, as shown and described herein.

(52) **U.S. Cl.** ..... **D7/629**

(58) **Field of Classification Search** ..... D7/601,  
D7/602, 629, 538-549; D3/272, 288, 302,  
D3/294, 304; 206/503, 506, 508, 512, 518,  
206/203; 220/819, 255, 818, 826, 1.5, 6,  
220/4.29, 4.24, 14, 15, 2, DIG. 12

See application file for complete search history.

**DESCRIPTION**

FIG. 1 shows a three dimensional view of a produce container of the invention with lid closed;

FIG. 2 shows a three dimensional view of the produce container with lid open;

FIG. 3 shows a front view of the produce container with the lid closed;

FIG. 4 shows a side view of the produce container with the lid closed;

FIG. 5 shows a front view of the produce container with the lid open;

FIG. 6 shows a side view of the produce container with the lid open;

FIG. 7 shows a plan view of the produce container with the lid open; and,

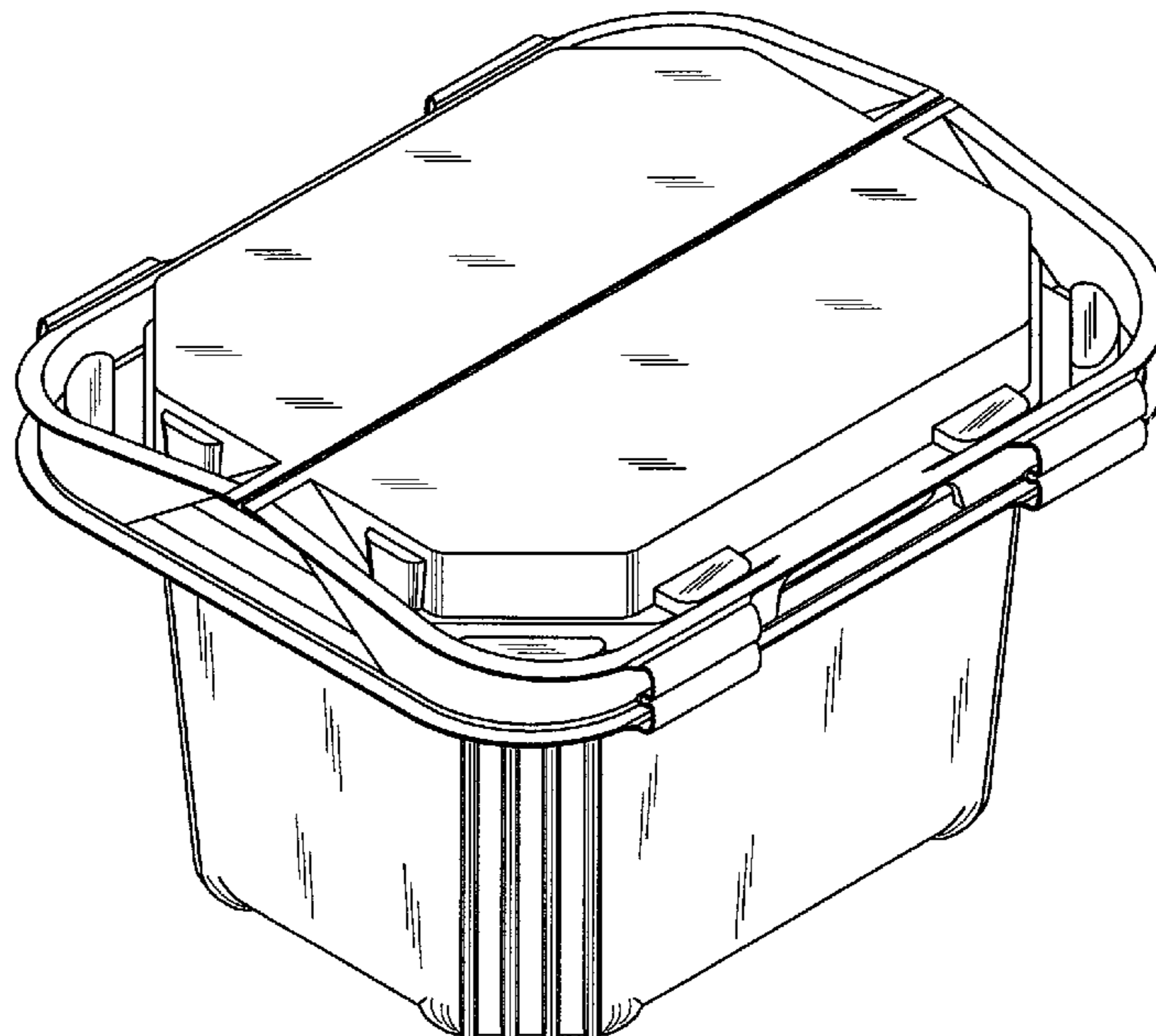
FIG. 8 shows a bottom view of the produce container with the lid open.

(56) **References Cited**

U.S. PATENT DOCUMENTS

3,463,345 A 8/1969 Bockenstette  
3,933,296 A 1/1976 Ruskin et al.  
D258,723 S \* 3/1981 Cornou ..... D7/629  
4,432,467 A 2/1984 Swingley, Jr.  
4,685,567 A 8/1987 Webb  
4,688,675 A 8/1987 Miller et al.  
D348,342 S \* 6/1994 Lang-Ree et al. .... D3/288  
5,555,996 A 9/1996 Lang-Ree et al.  
D374,555 S \* 10/1996 McMath ..... D3/272  
5,860,527 A 1/1999 Frankenberg et al.  
5,992,673 A \* 11/1999 Hwang ..... 220/819  
D429,565 S \* 8/2000 Aiken ..... D3/302  
6,318,586 B1 11/2001 Frankenberg

**1 Claim, 7 Drawing Sheets**



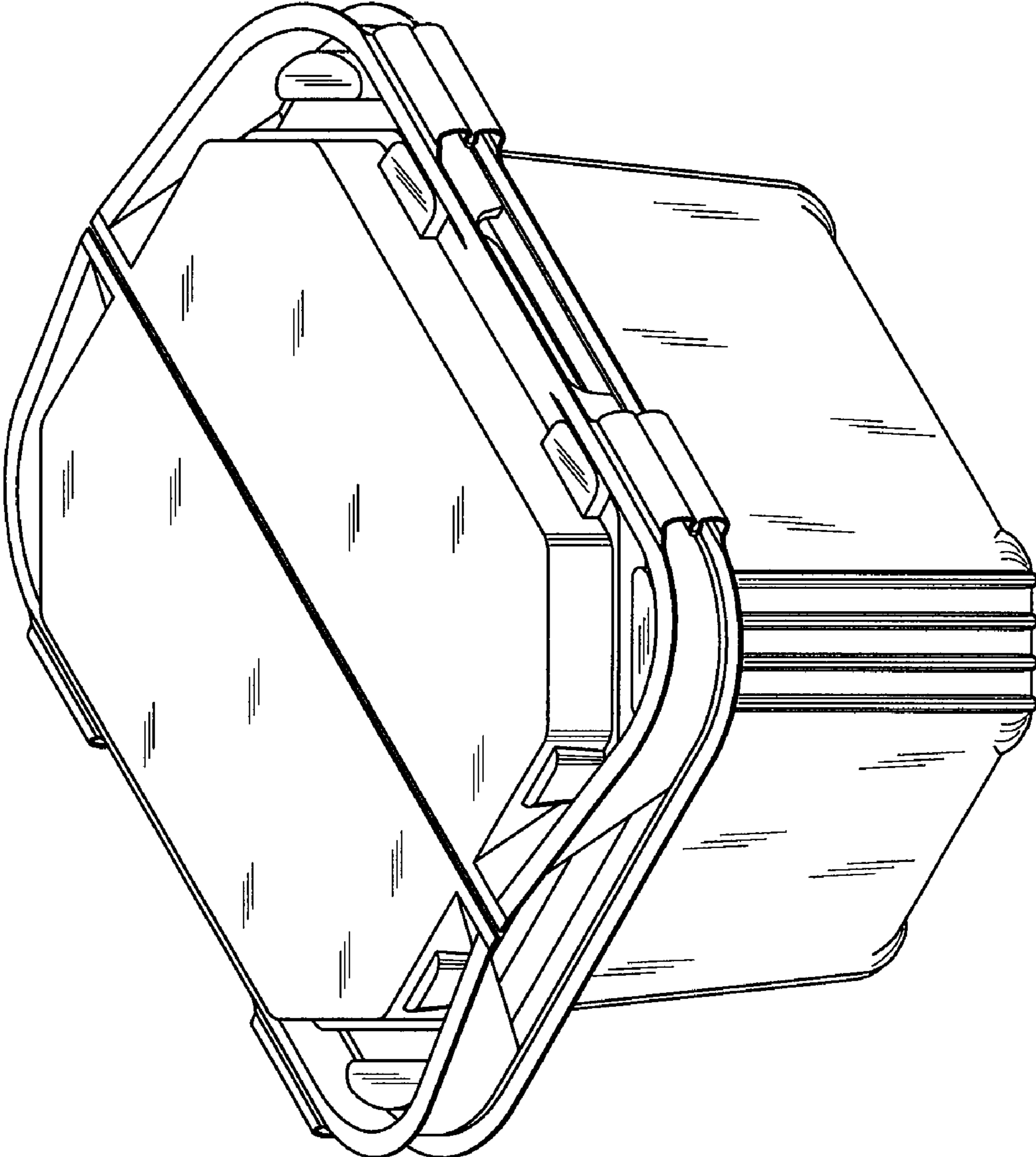


Fig. 1

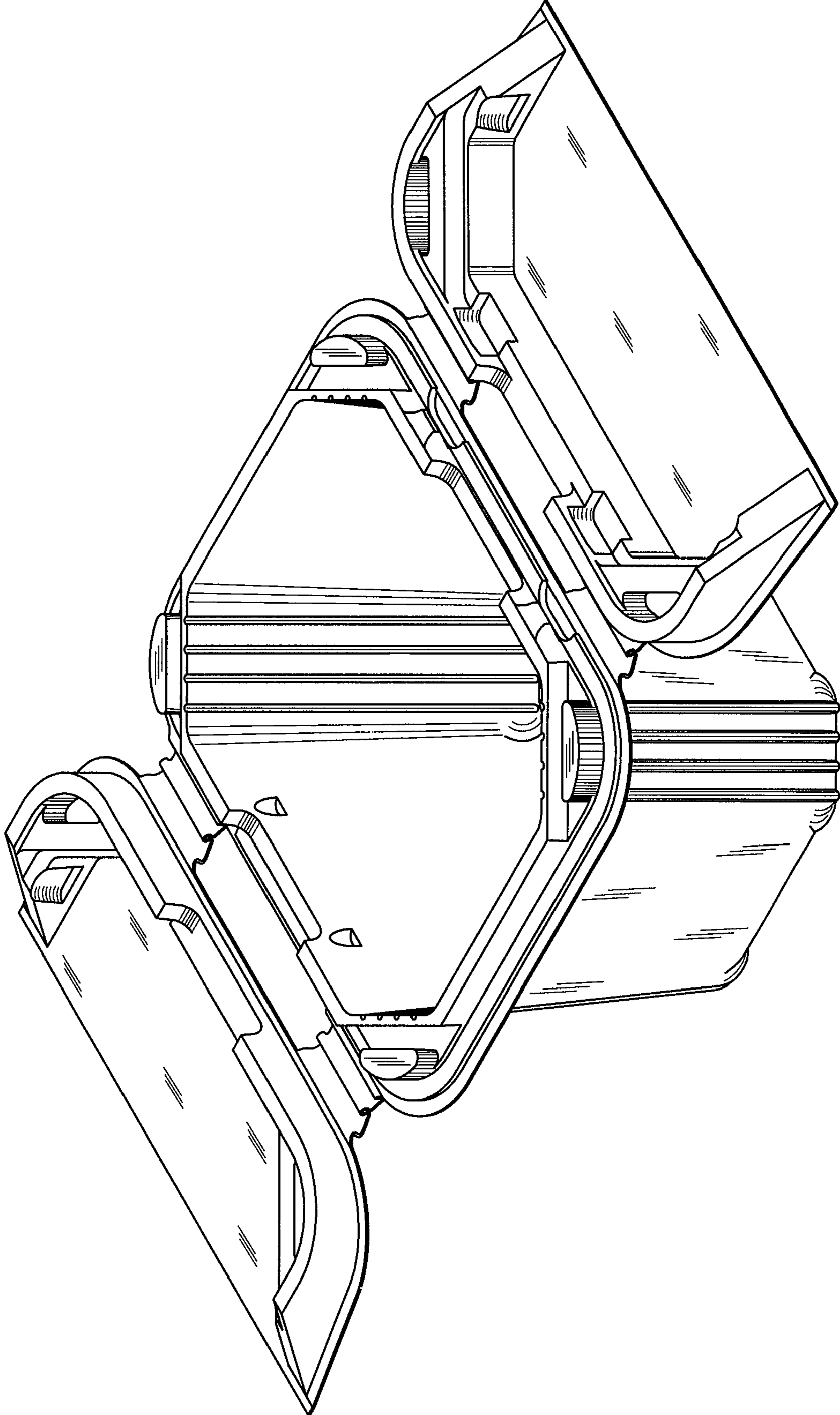


Fig. 2

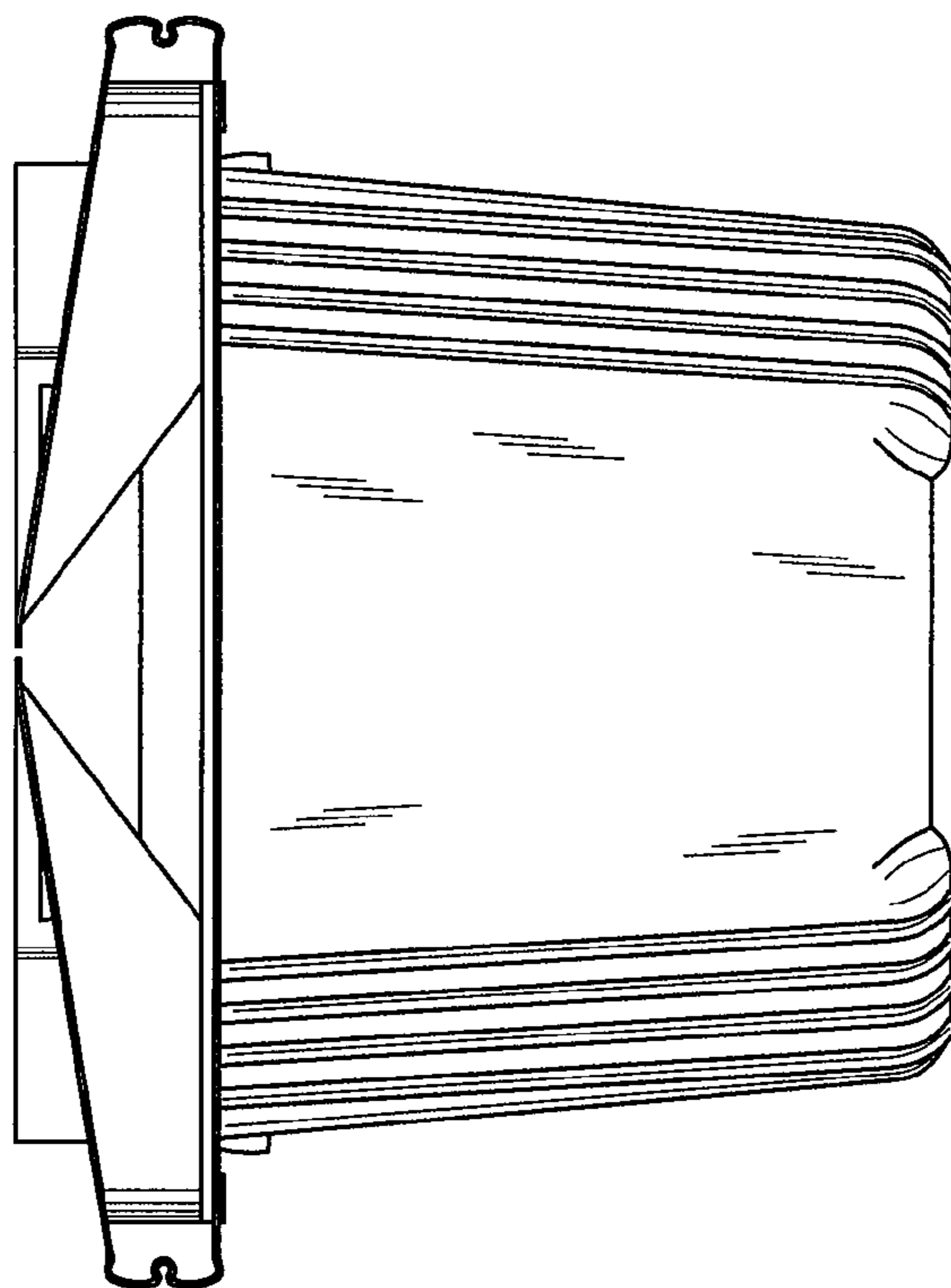


Fig. 4

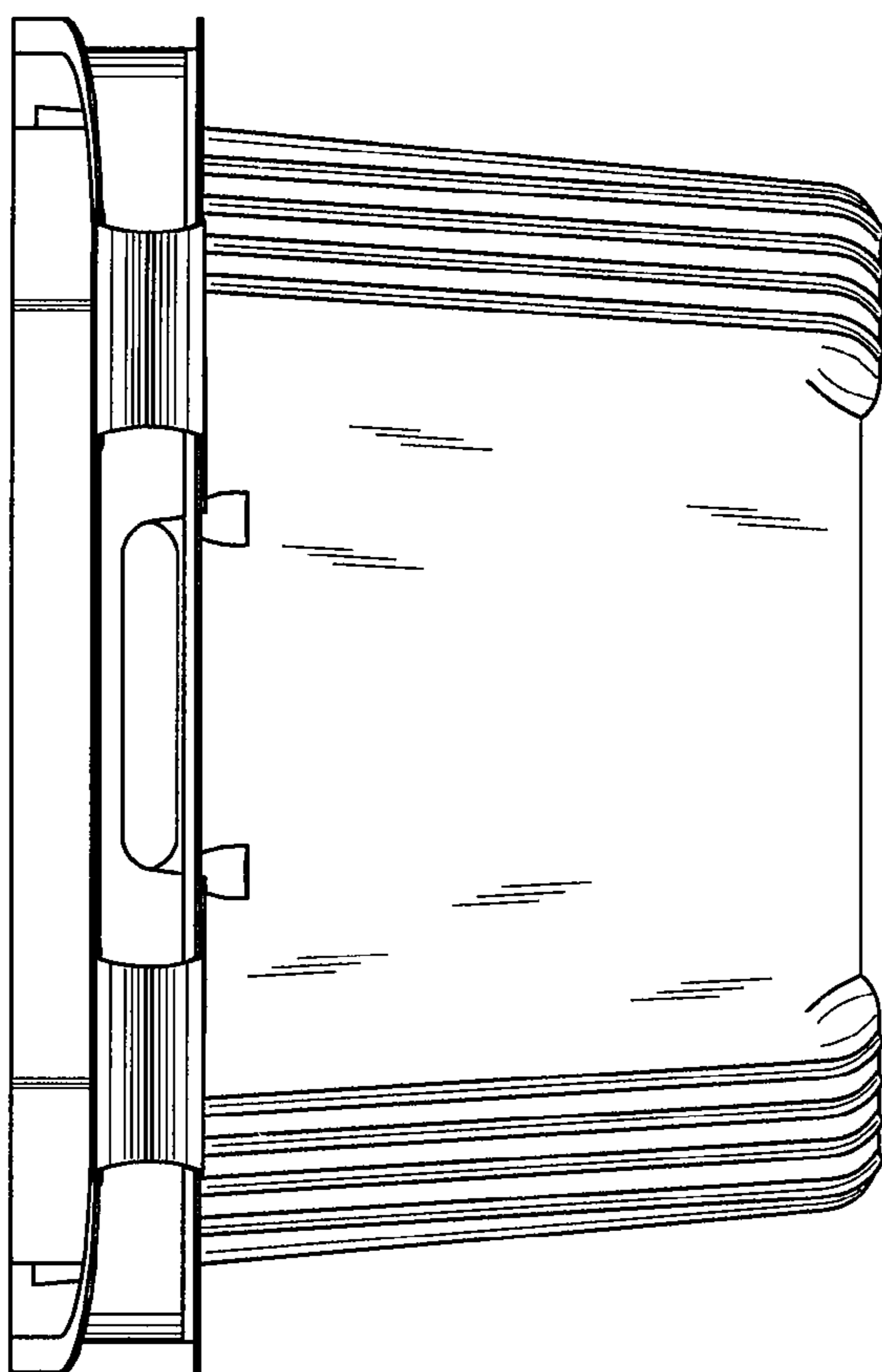


Fig. 3

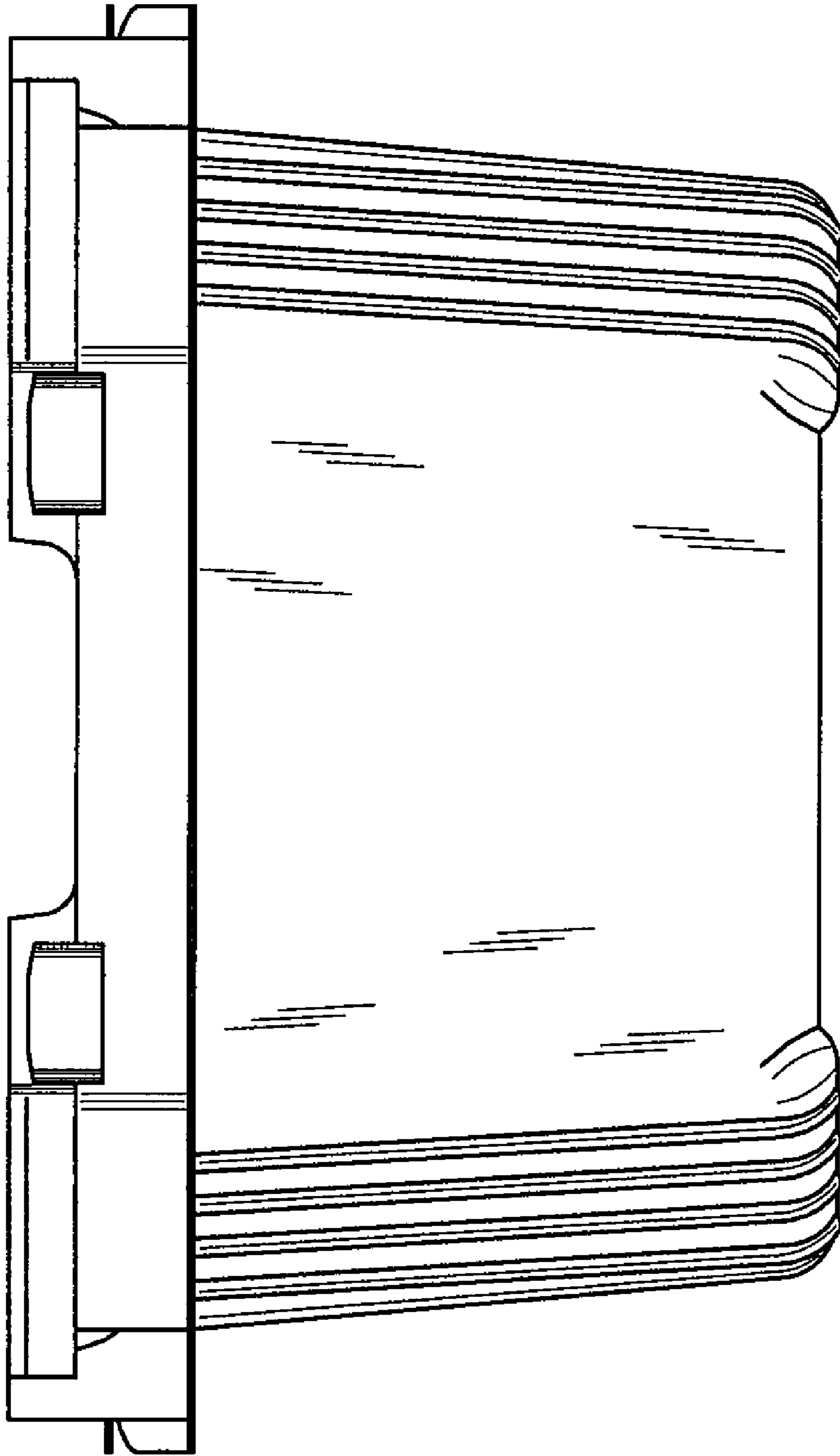


Fig. 5

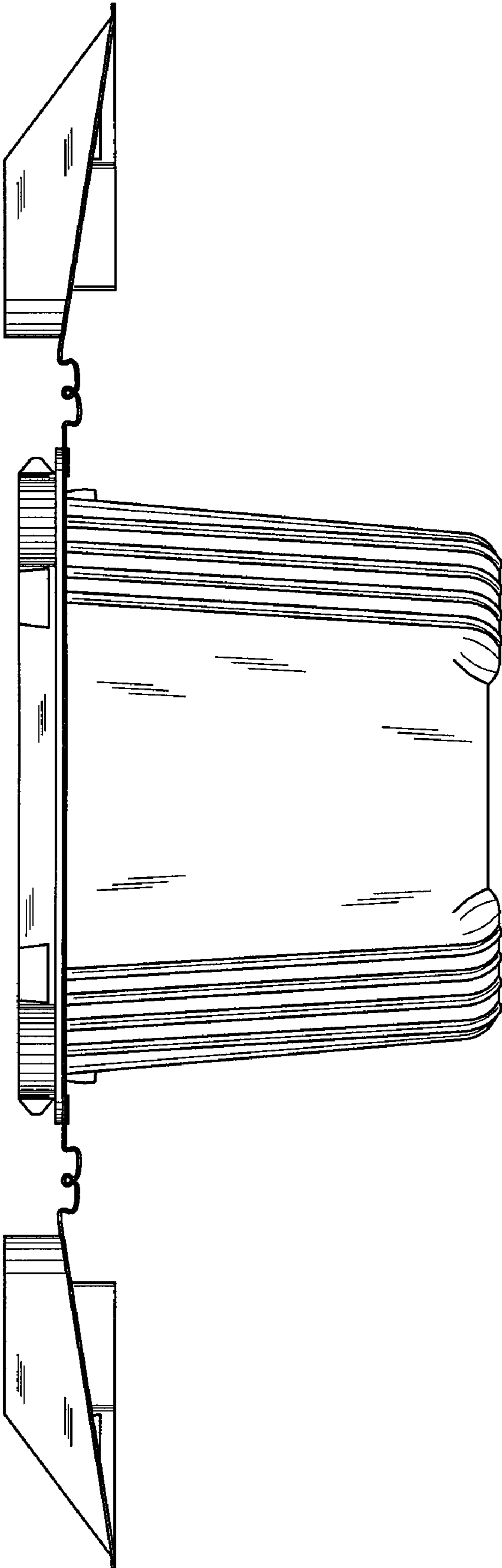


Fig. 6

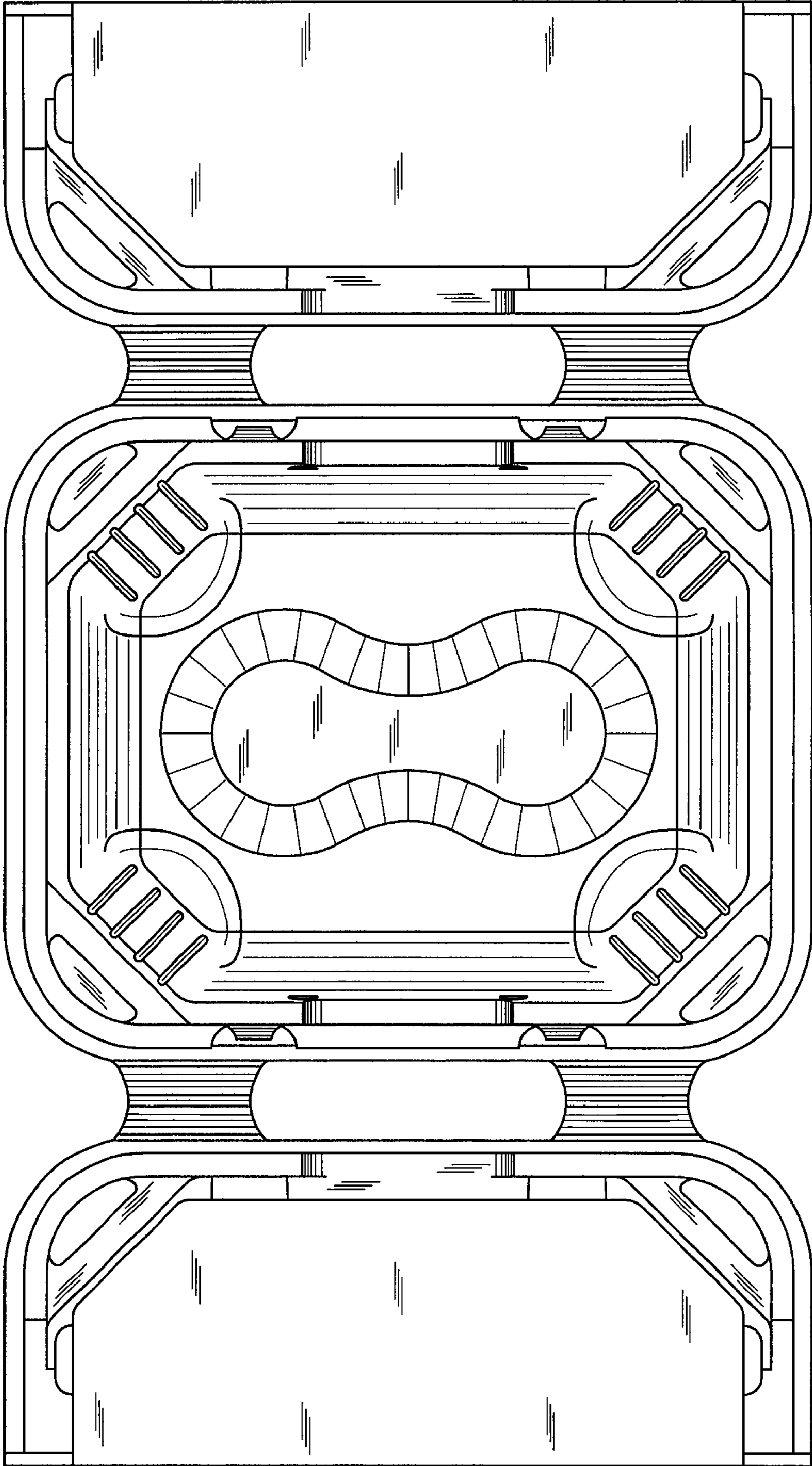


Fig. 7

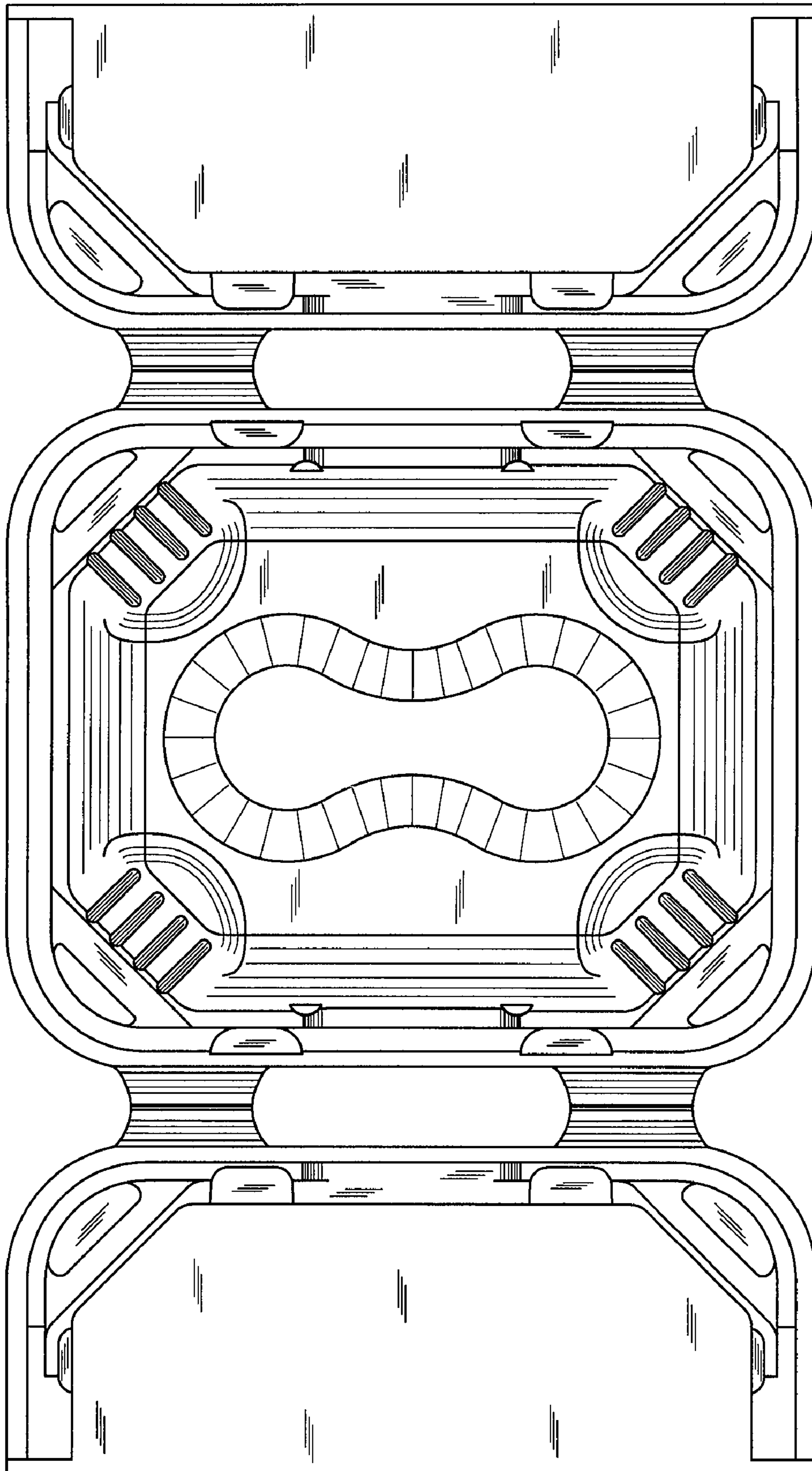


Fig. 8