



US00D623480S

(12) **United States Design Patent**  
**Moran**

(10) **Patent No.:** **US D623,480 S**

(45) **Date of Patent:** **\*\* \*Sep. 14, 2010**

(54) **THERMAL CONTAINER**

**DESCRIPTION**

(75) Inventor: **Jorge Eugene Moran**, Nashville, TN (US)

(73) Assignee: **Megatrade International, Inc.**, Nashville, TN (US)

(\*\*) Term: **14 Years**

(21) Appl. No.: **29/353,096**

(22) Filed: **Dec. 31, 2009**

(51) **LOC (9) Cl.** ..... **07-01**

(52) **U.S. Cl.** ..... **D7/608**

(58) **Field of Classification Search** ..... D7/608,  
D7/510, 511; 215/12.1, 12.2, 13.1, 6; D9/549-559;  
220/592.2, 915.1, 915.2

See application file for complete search history.

(56) **References Cited**

**U.S. PATENT DOCUMENTS**

D239,920 S *	5/1976	Flores	.....	D9/428
D361,714 S *	8/1995	Krupa	.....	D9/645
D395,203 S	6/1998	Moran		
D395,793 S	7/1998	Moran		
D395,794 S	7/1998	Moran		
D406,014 S	2/1999	Moran		
D407,273 S	3/1999	Moran		
D410,175 S	5/1999	Moran		
D411,717 S	6/1999	Moran		
D415,936 S	11/1999	Moran		

(Continued)

**FOREIGN PATENT DOCUMENTS**

FR 2866324 8/2005

*Primary Examiner*—Terry A Wallace

(74) *Attorney, Agent, or Firm*—Hunton & Williams LLP

(57) **CLAIM**

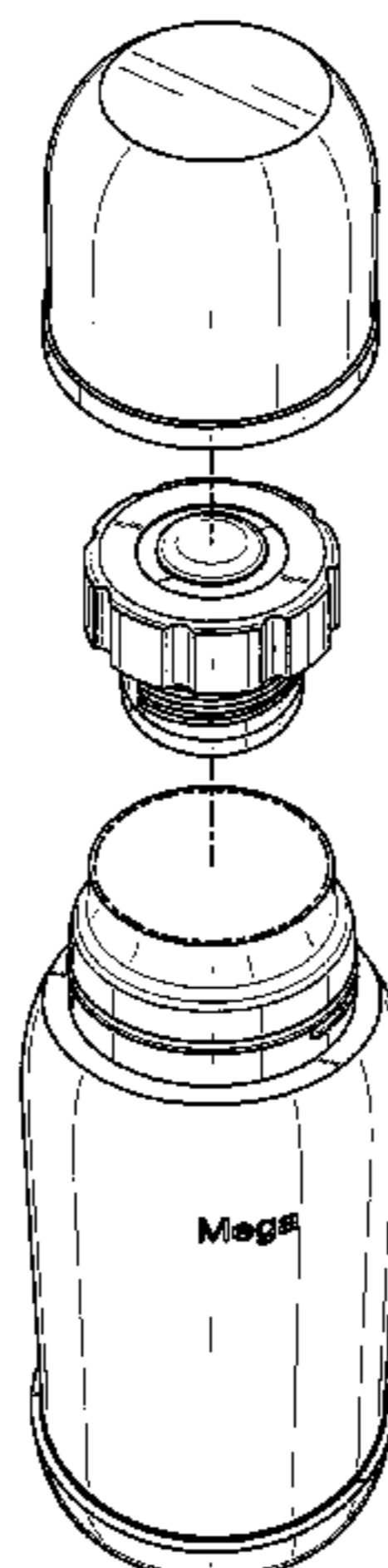
We claim the ornamental design for a thermal container, as shown and described.

FIG. 1 depicts a perspective view of a thermal container.  
 FIG. 2 depicts a front elevation view of a thermal container.  
 FIG. 3 depicts a rear elevation view of a thermal container.  
 FIG. 4 depicts a side elevation view of a thermal container.  
 FIG. 5 depicts an opposite side elevation view of a thermal container.  
 FIG. 6 depicts a top plan view of a thermal container.  
 FIG. 7 depicts a bottom plan view of a thermal container.  
 FIG. 8 depicts a perspective view of a thermal container.  
 FIG. 9 depicts a front elevation view of a thermal container.  
 FIG. 10 depicts a rear elevation view of a thermal container.  
 FIG. 11 depicts a side elevation view of a thermal container.  
 FIG. 12 depicts an opposite side elevation view of a thermal container.  
 FIG. 13 depicts a top plan view of a thermal container.  
 FIG. 14 depicts a bottom plan view of a thermal container.  
 FIG. 15 depicts a perspective view of a thermal container.  
 FIG. 16 depicts a front elevation view of a thermal container.  
 FIG. 17 depicts a rear elevation view of a thermal container.  
 FIG. 18 depicts a side elevation view of a thermal container.  
 FIG. 19 depicts an opposite side elevation view of a thermal container.  
 FIG. 20 depicts a top plan view of a thermal container.  
 FIG. 21 depicts a bottom plan view of a thermal container; and,  
 FIG. 22 depicts an exploded perspective view of a thermal container.

The broken lines in the drawings illustrate environmental structure on the article and form no part of the claimed design.

The cup, closure and container are shown separately in the drawings for clarity of illustration.

**1 Claim, 19 Drawing Sheets**



# US D623,480 S

Page 2

---

## U.S. PATENT DOCUMENTS

D437,528 S *	2/2001	Kitamura et al. ....	D7/608	D497,778 S *	11/2004	Rich .....	D7/608
6,332,557 B1	12/2001	Moran		D500,231 S *	12/2004	Ward et al. ....	D7/608
D452,799 S	1/2002	Moran		D513,688 S	1/2006	Moran	
6,530,496 B2	3/2003	Moran		D517,411 S *	3/2006	Okimoto .....	D9/504
6,536,620 B2	3/2003	Moran		D518,380 S	4/2006	Moran	
D488,961 S	4/2004	Moran		D533,032 S *	12/2006	Liu et al. ....	D7/608
D490,275 S	5/2004	Moran		D553,914 S *	10/2007	Wahl .....	D7/608
6,764,622 B2	7/2004	Moran		D563,733 S *	3/2008	Wang .....	D7/629
				D572,981 S *	7/2008	Carreno .....	D7/608

\* cited by examiner

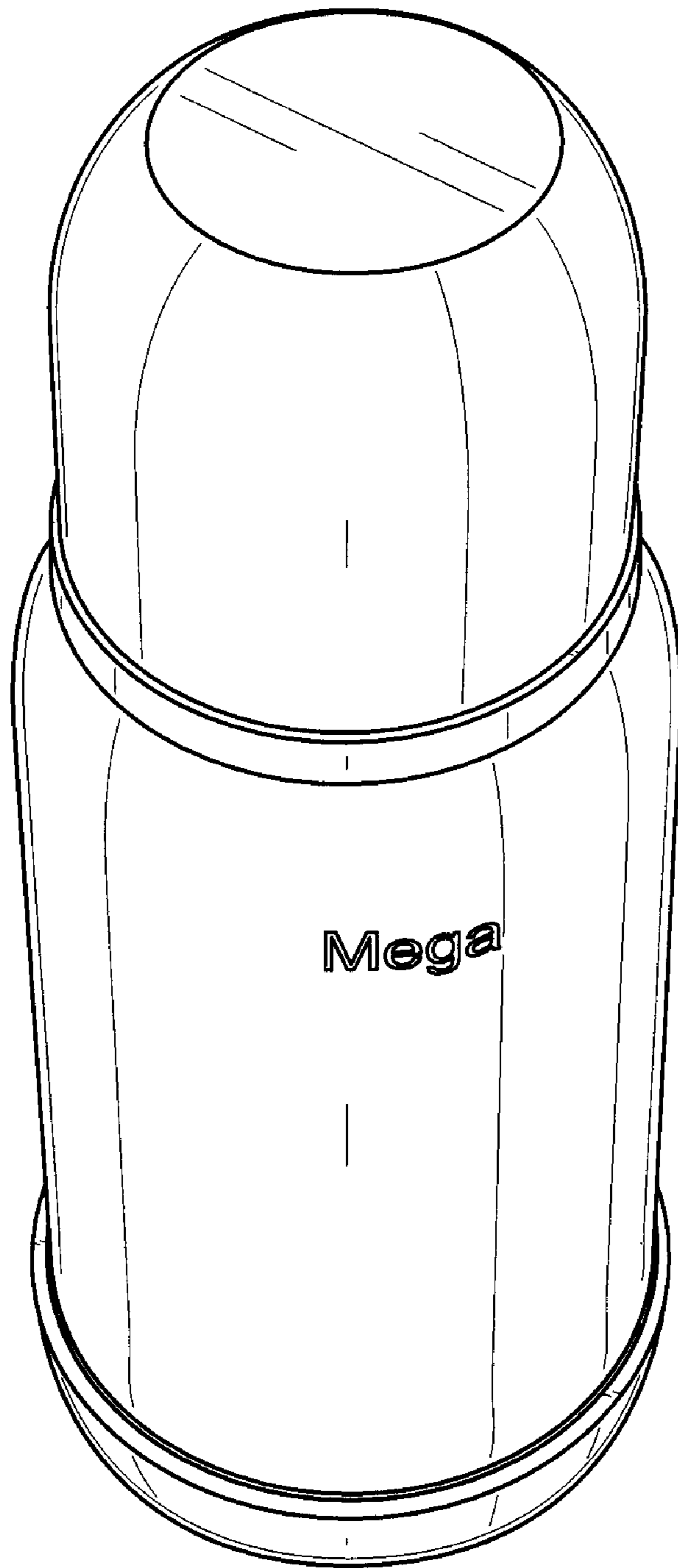


FIG. 1

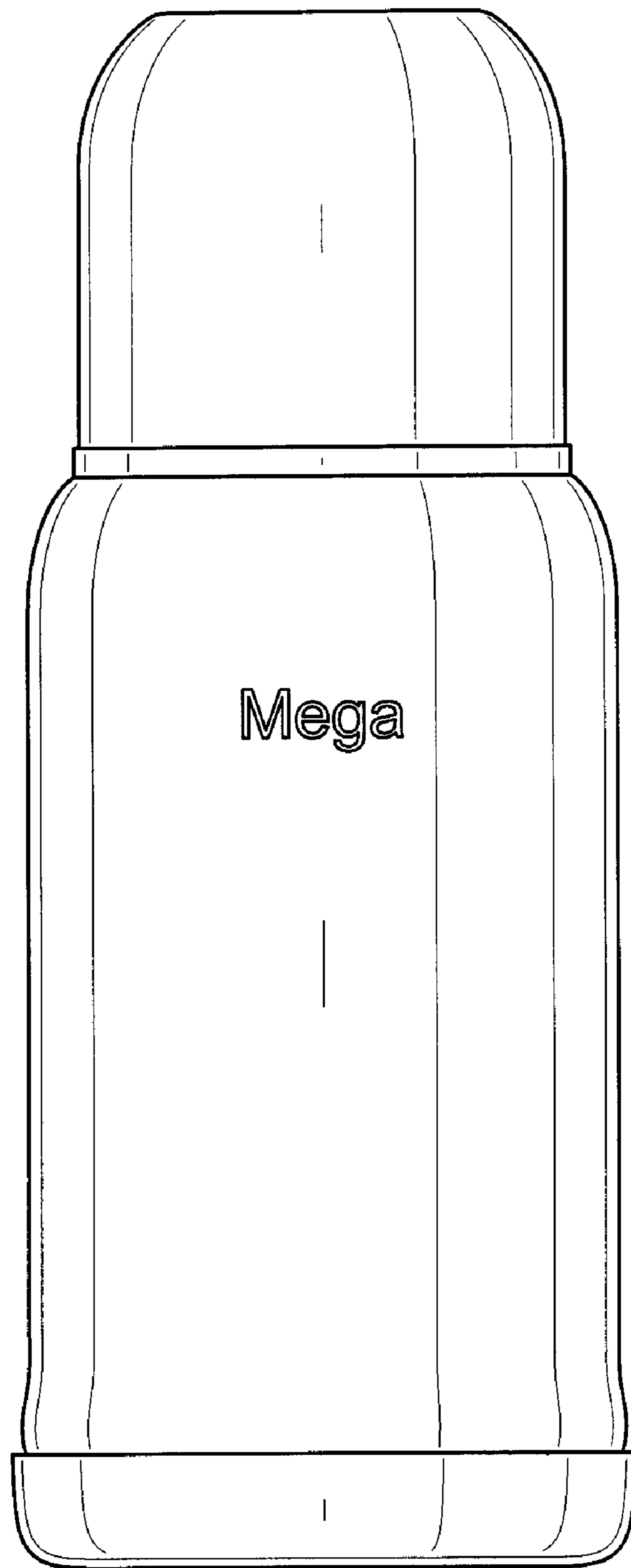


FIG. 2

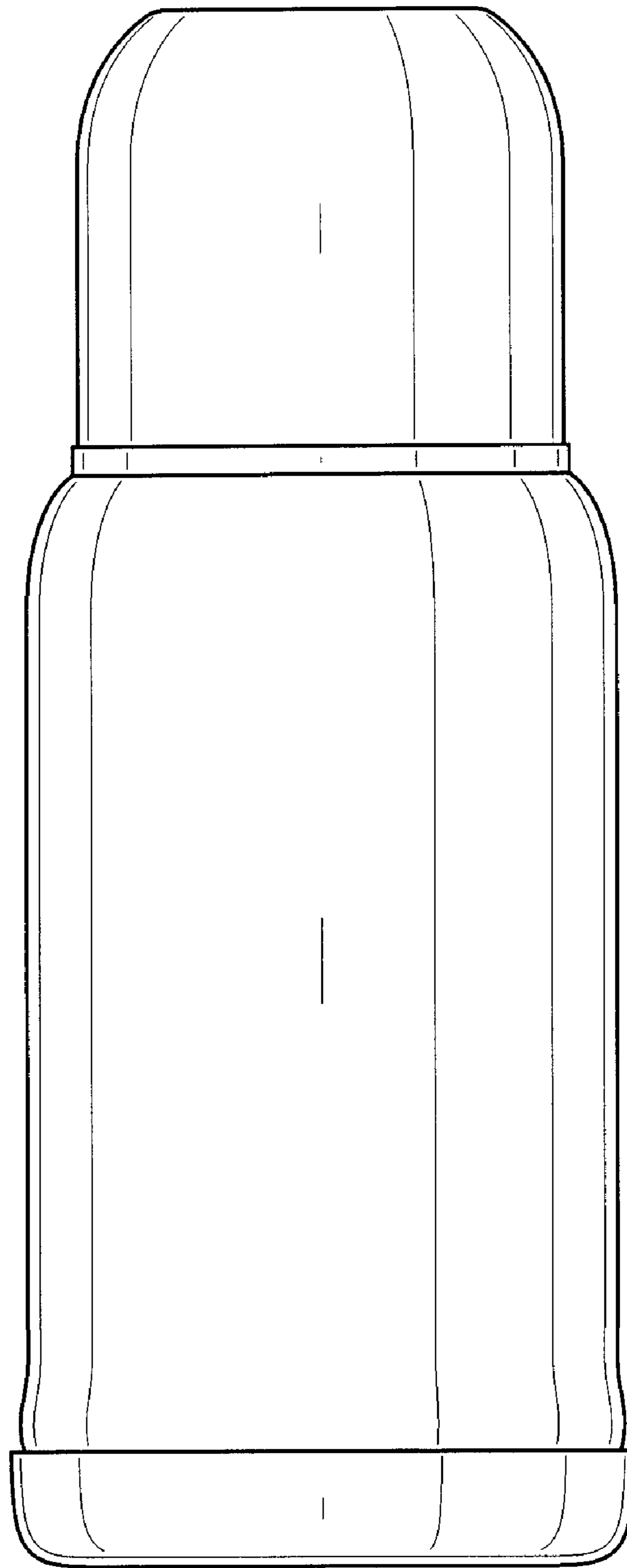


FIG. 3

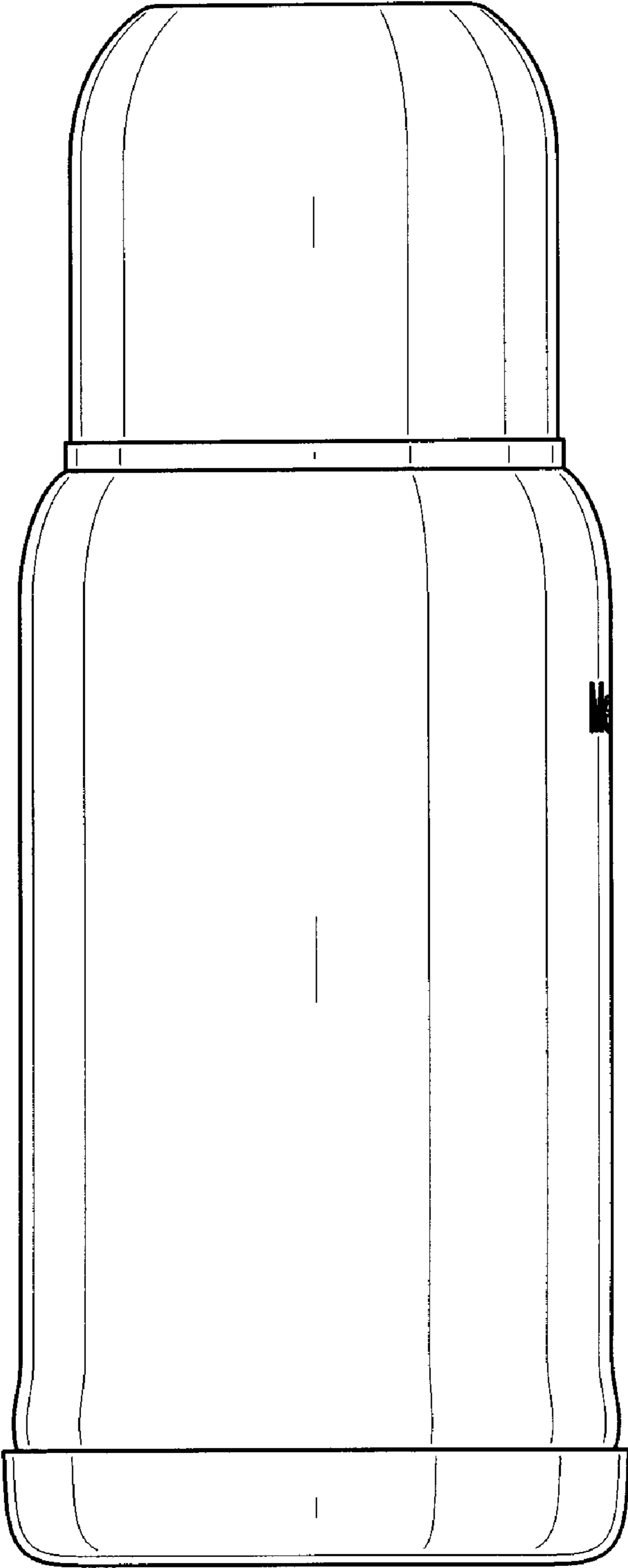


FIG. 4

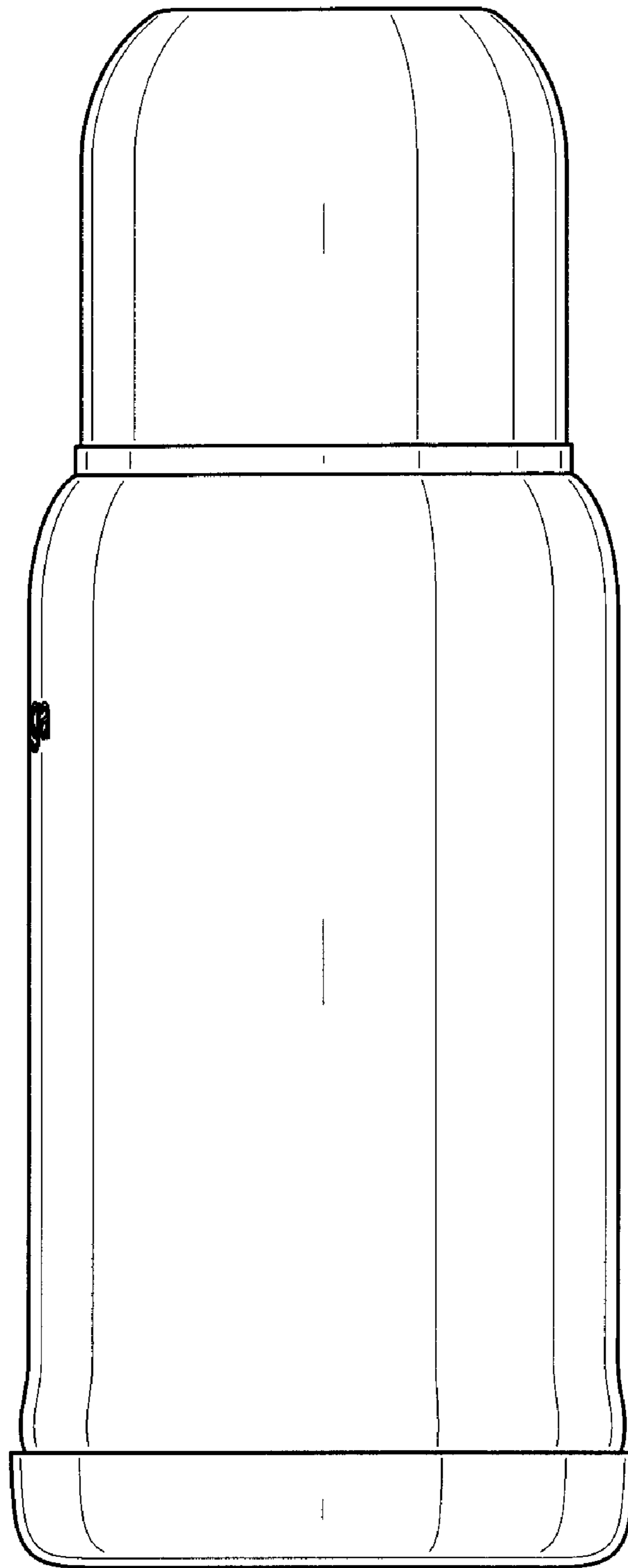


FIG. 5

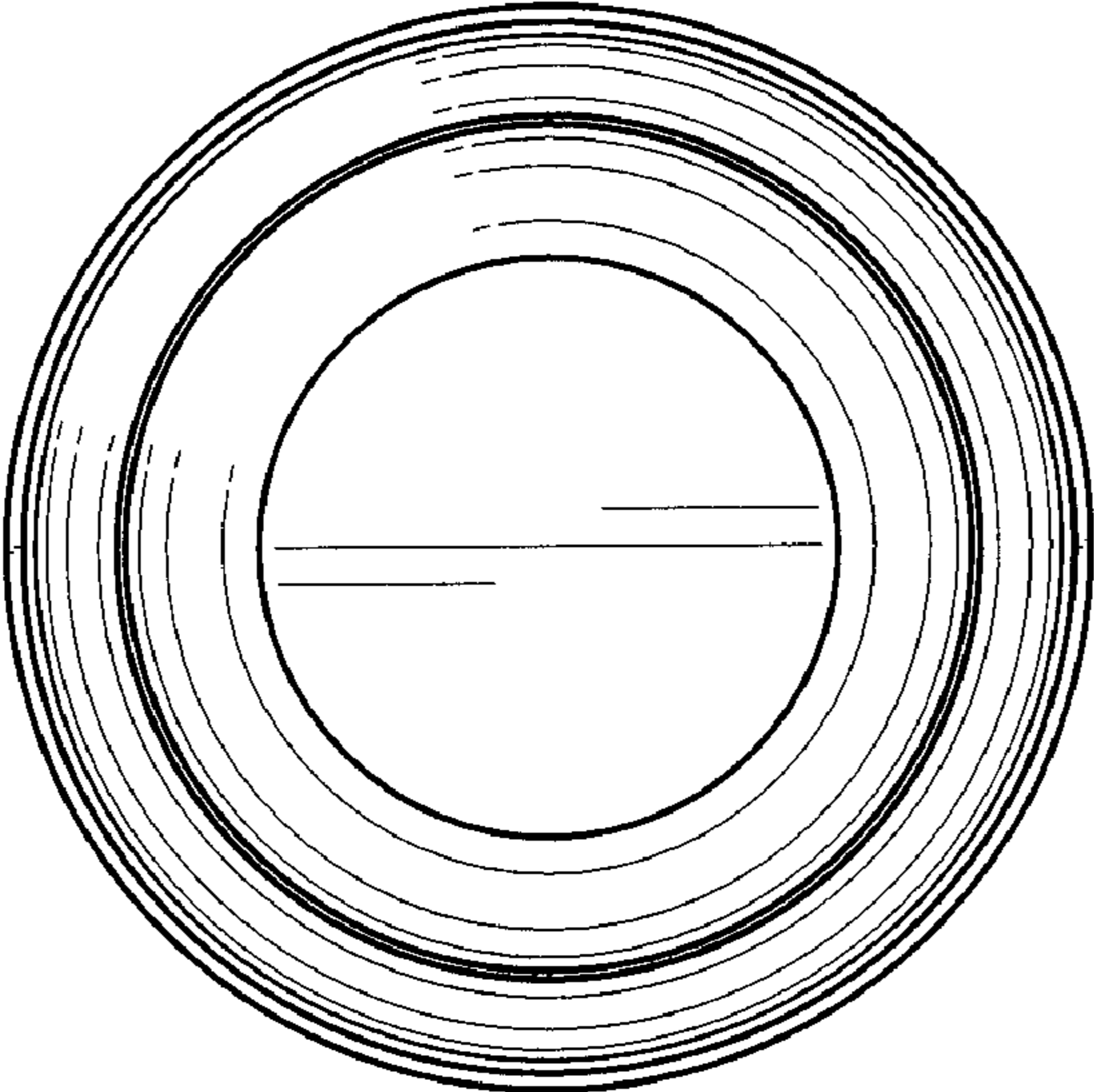


FIG. 6

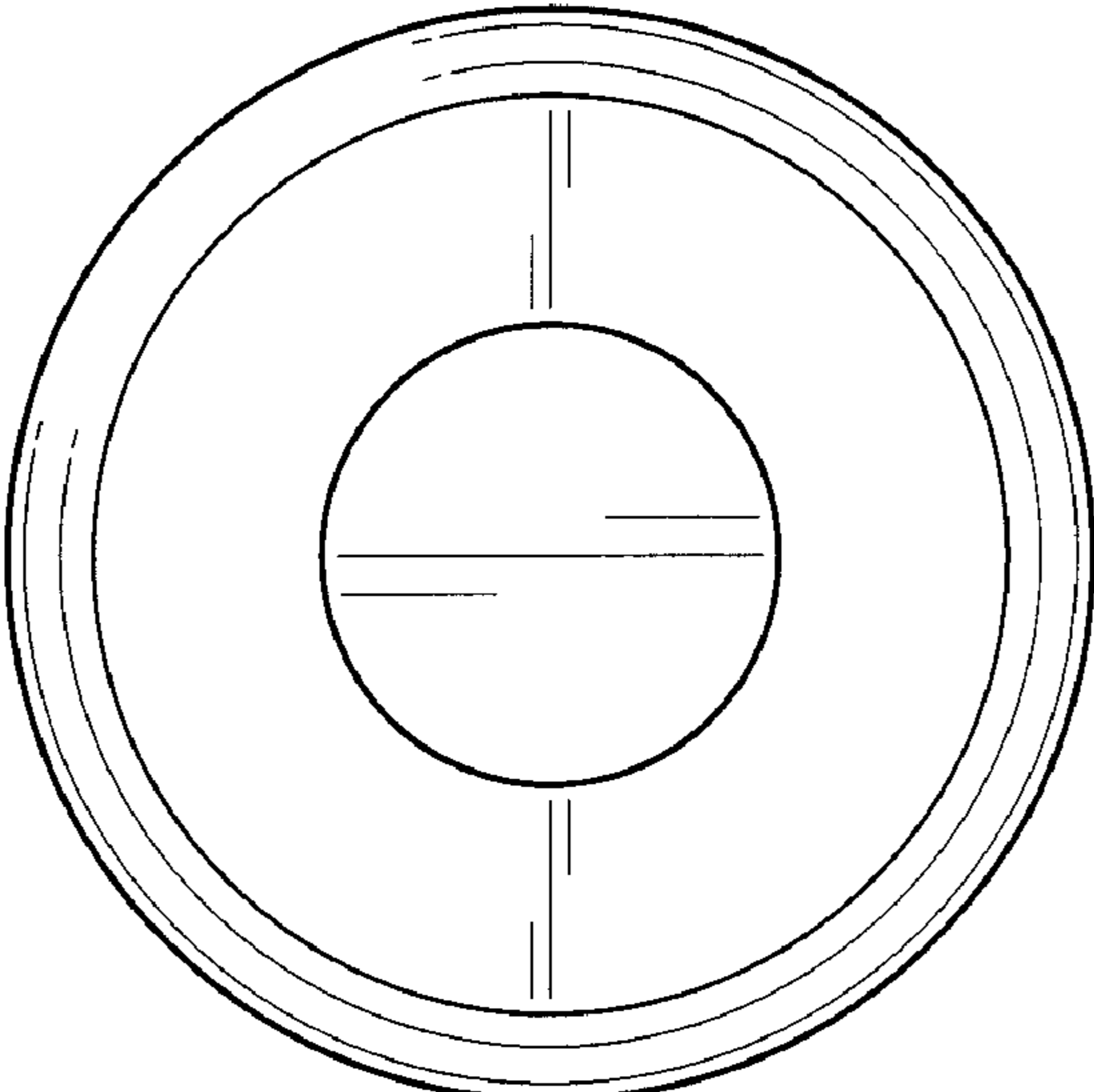


FIG. 7



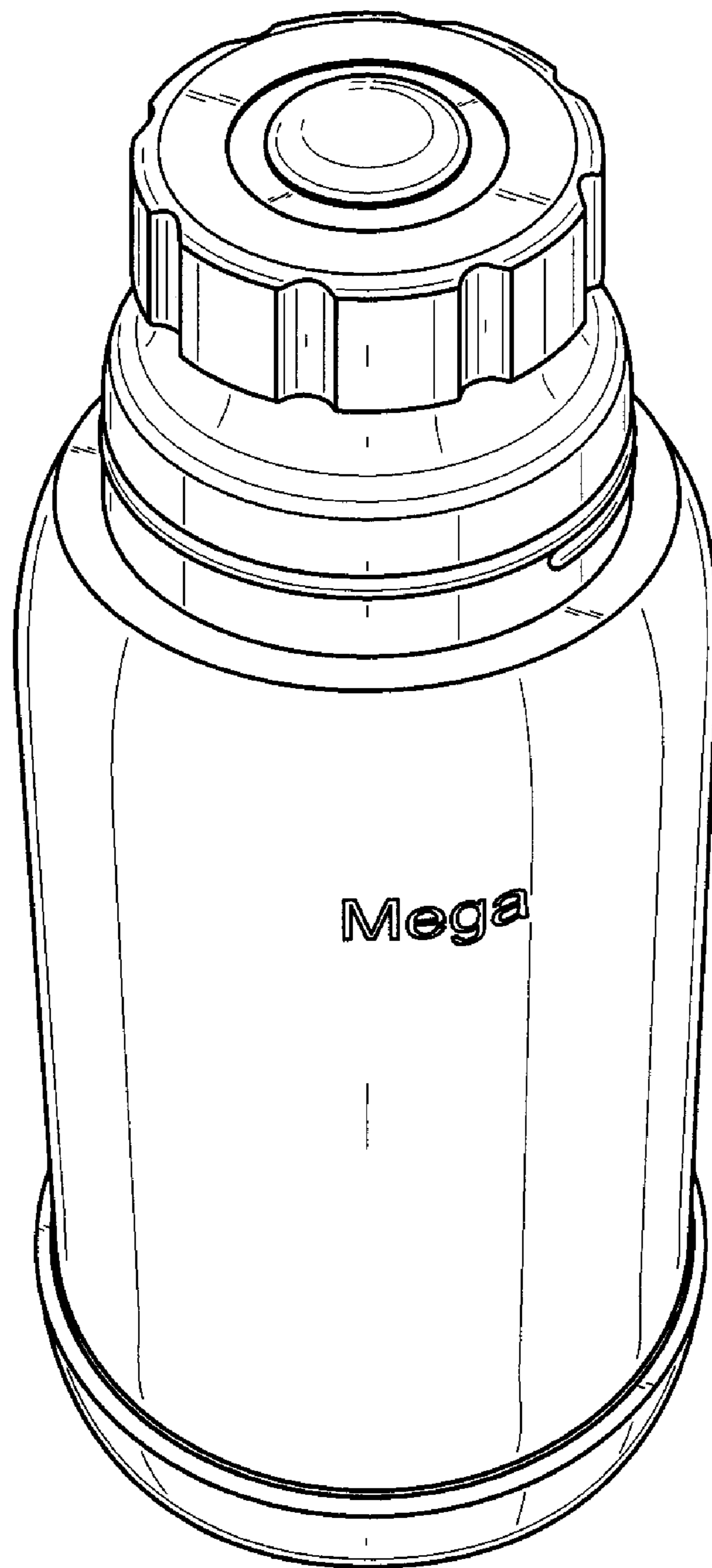


FIG. 8

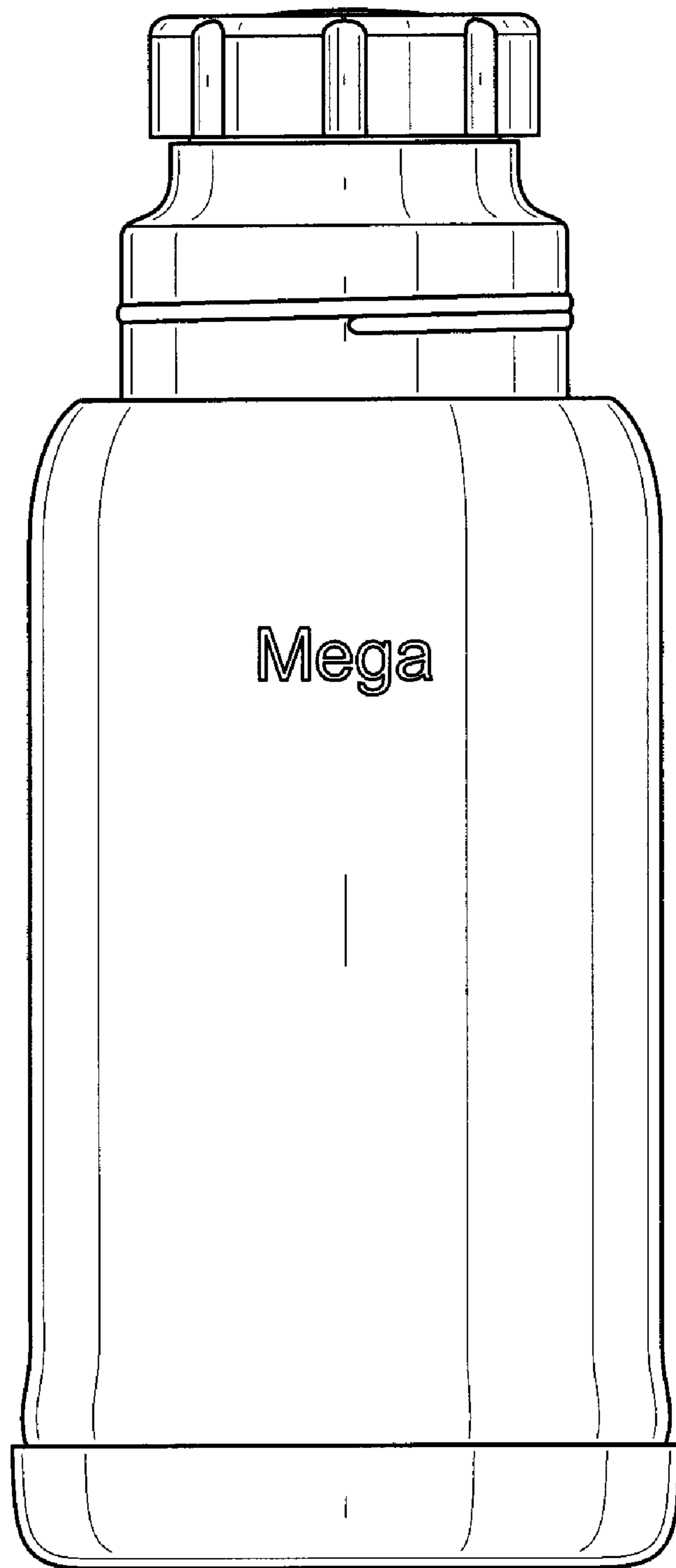


FIG. 9

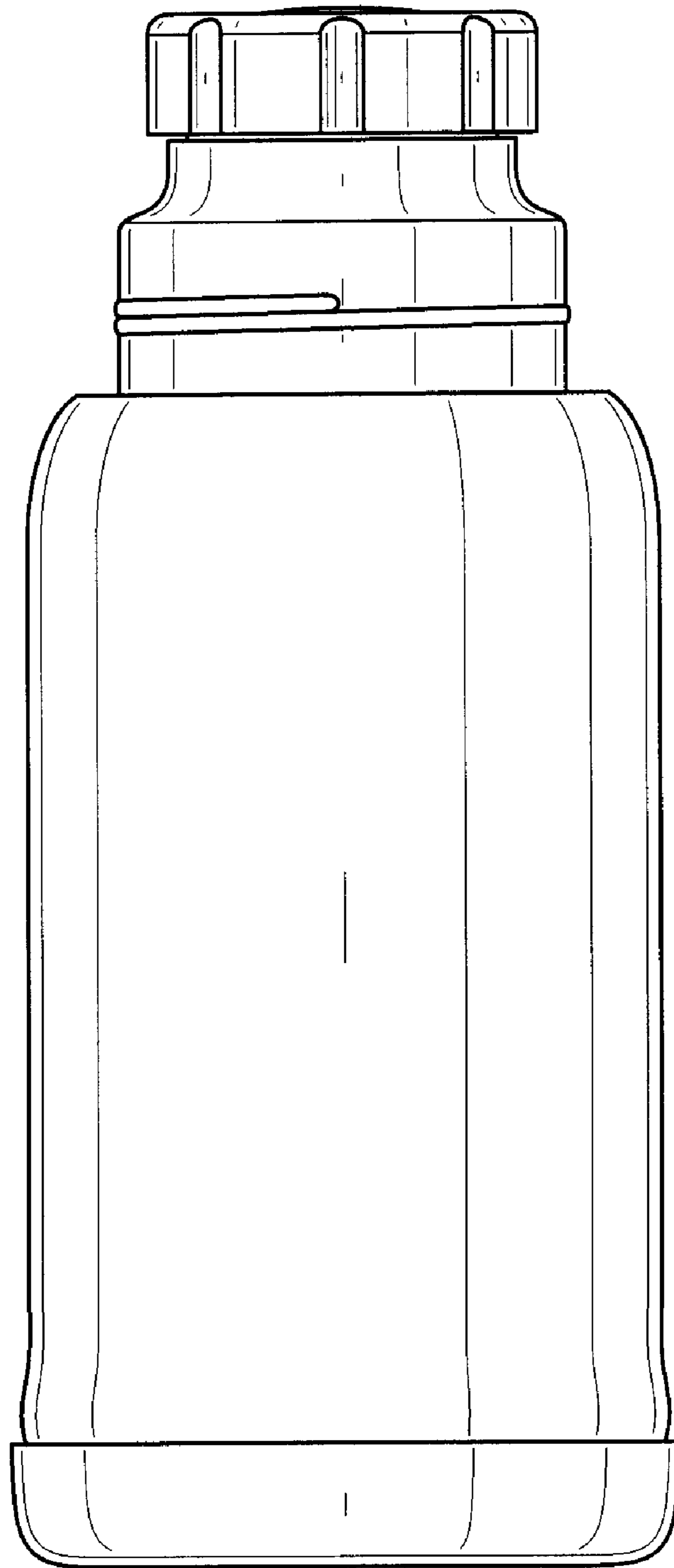


FIG. 10

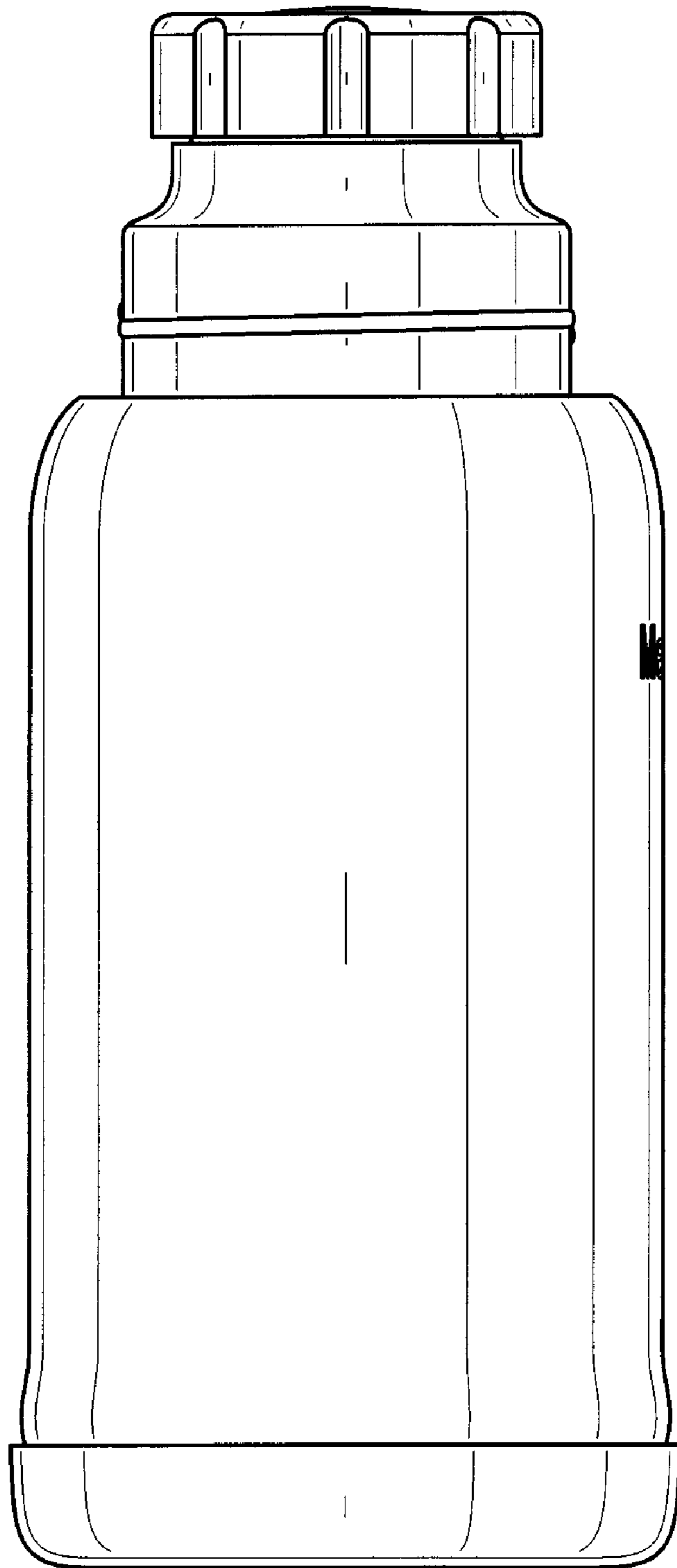


FIG. 11

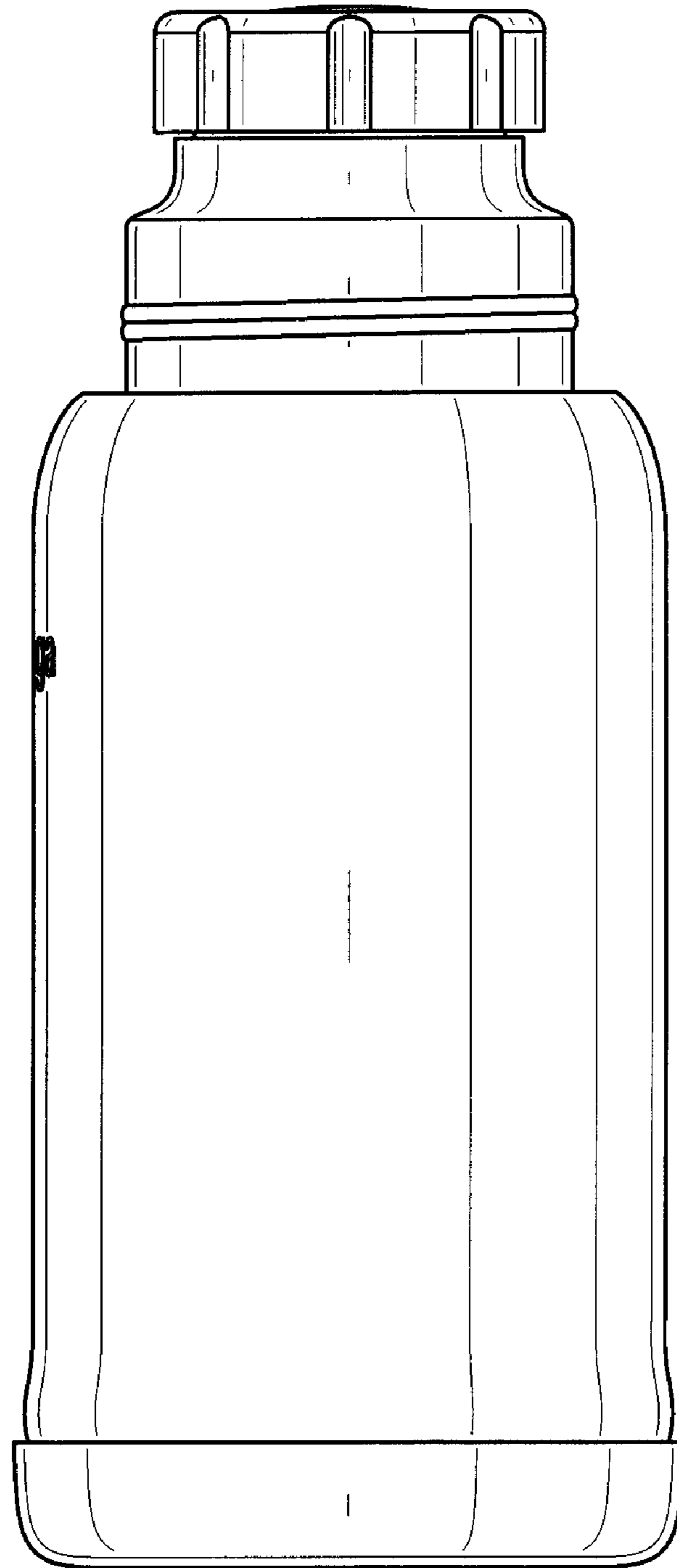


FIG. 12

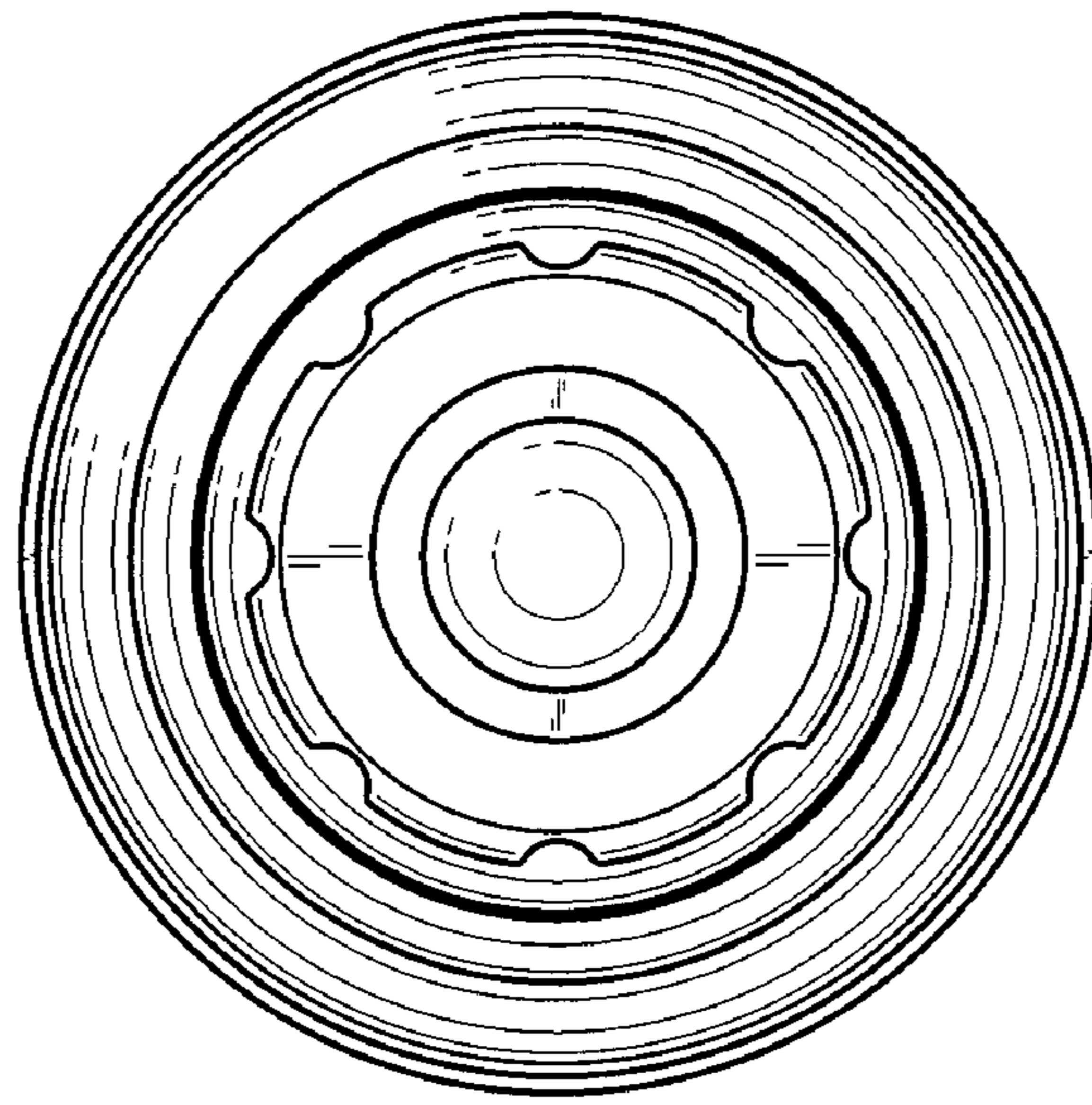


FIG. 13

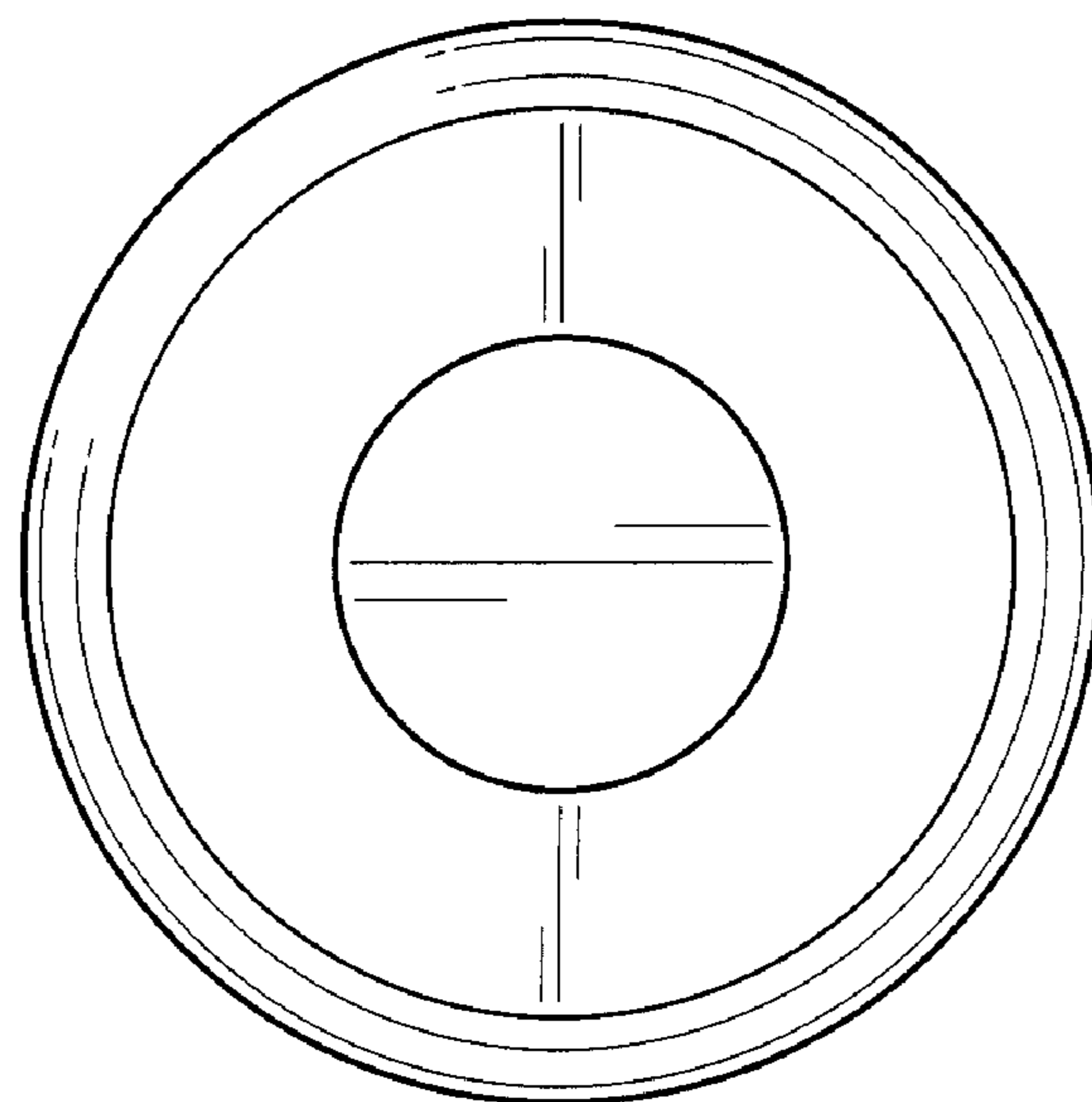


FIG. 14

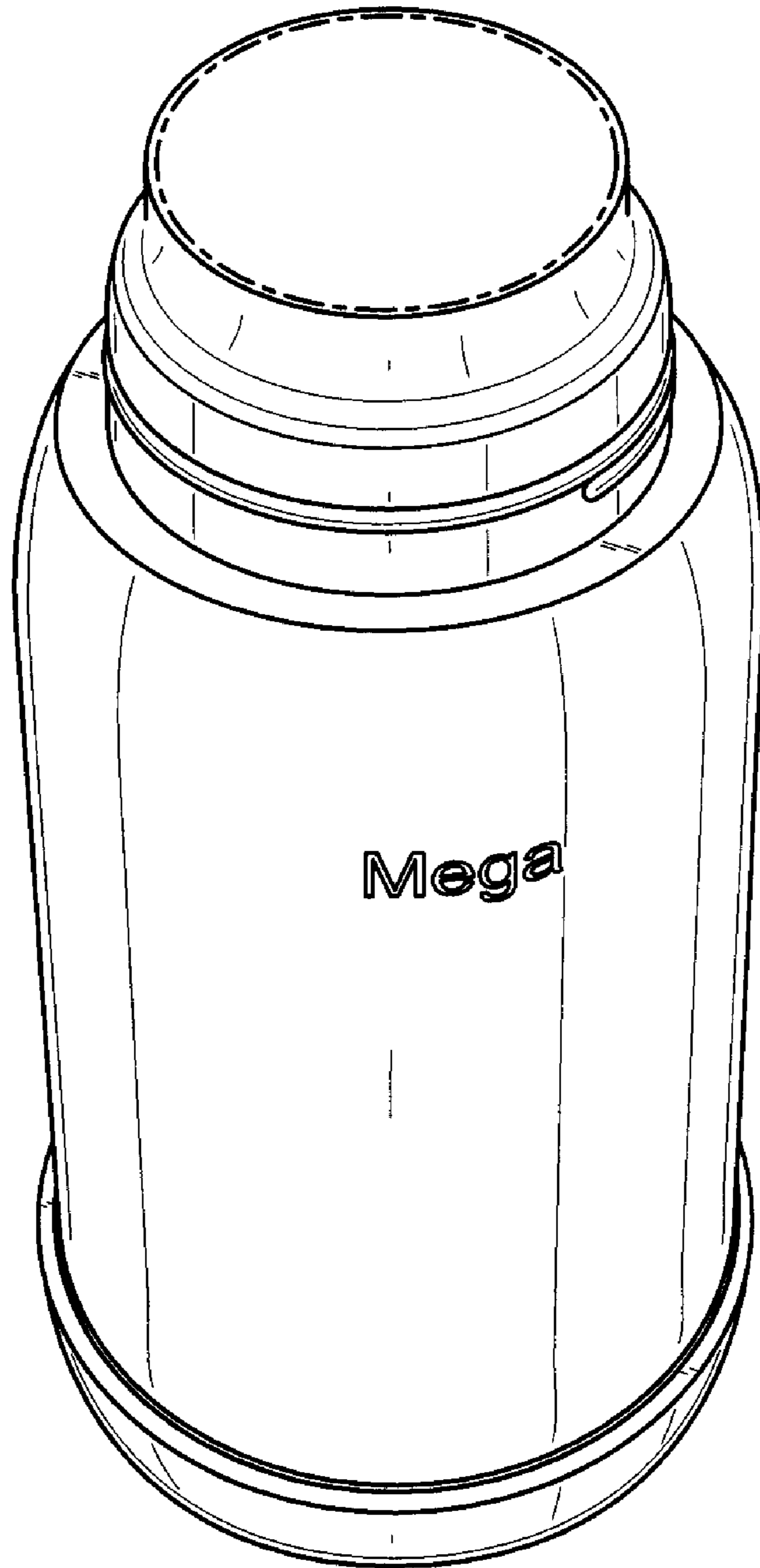


FIG. 15

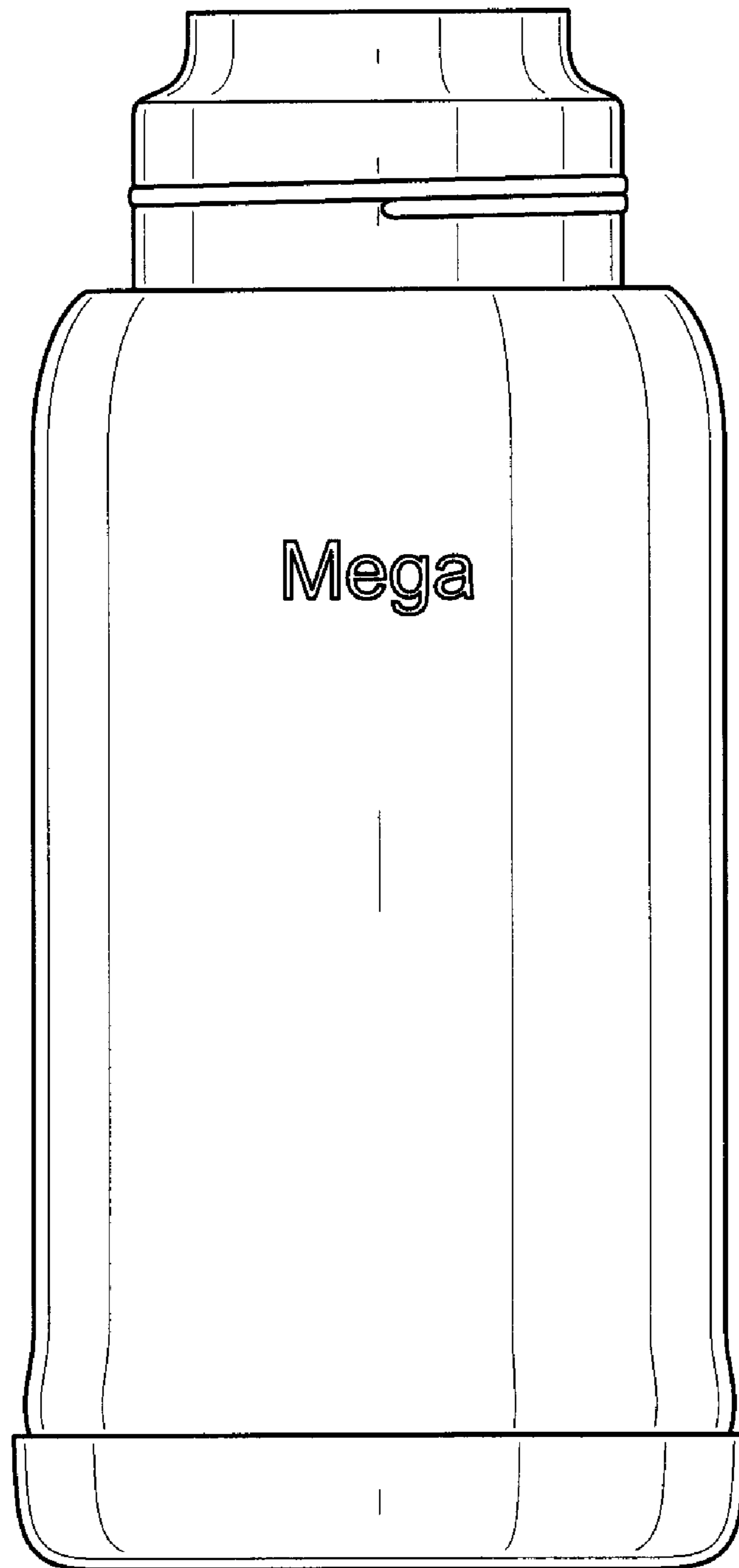


FIG. 16



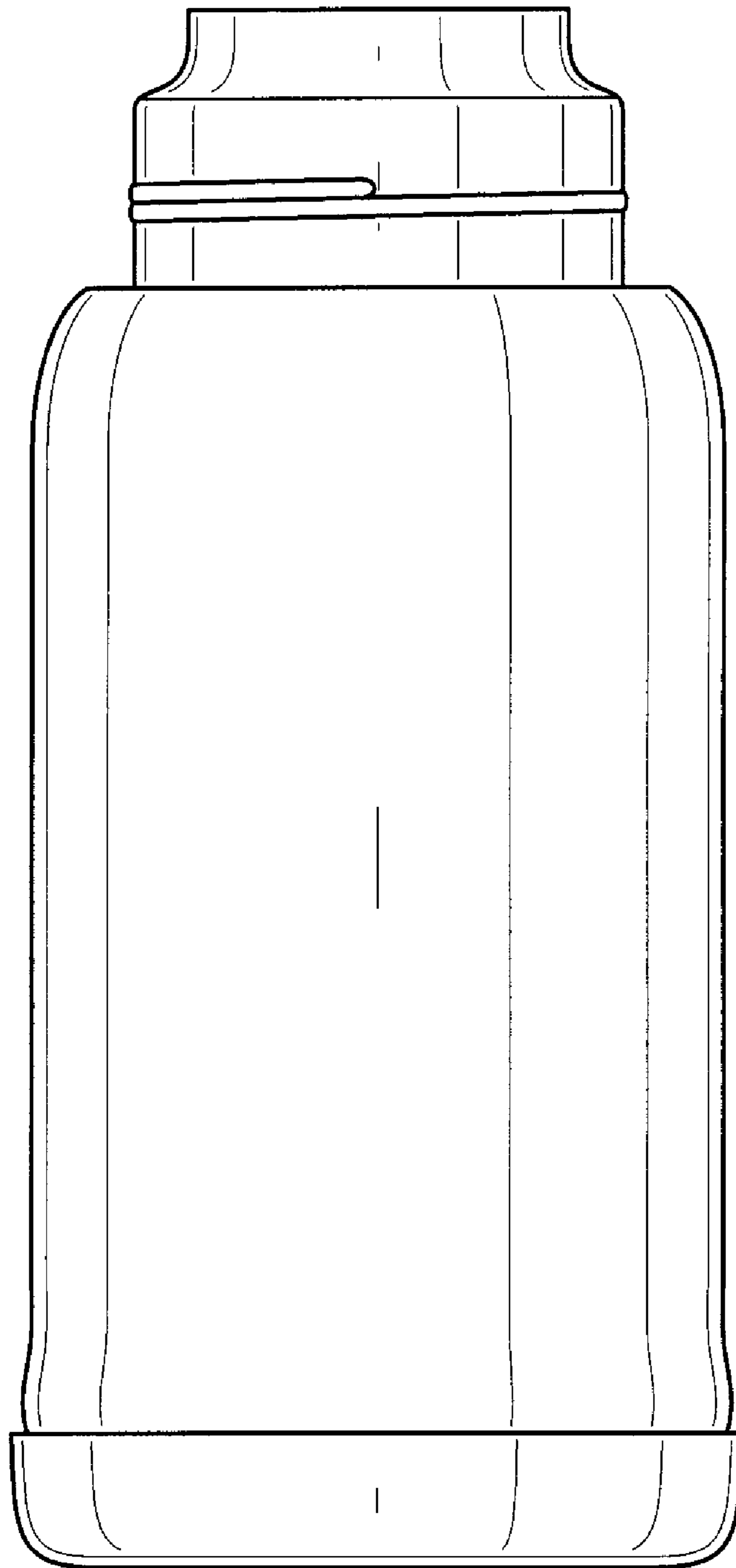


FIG. 17

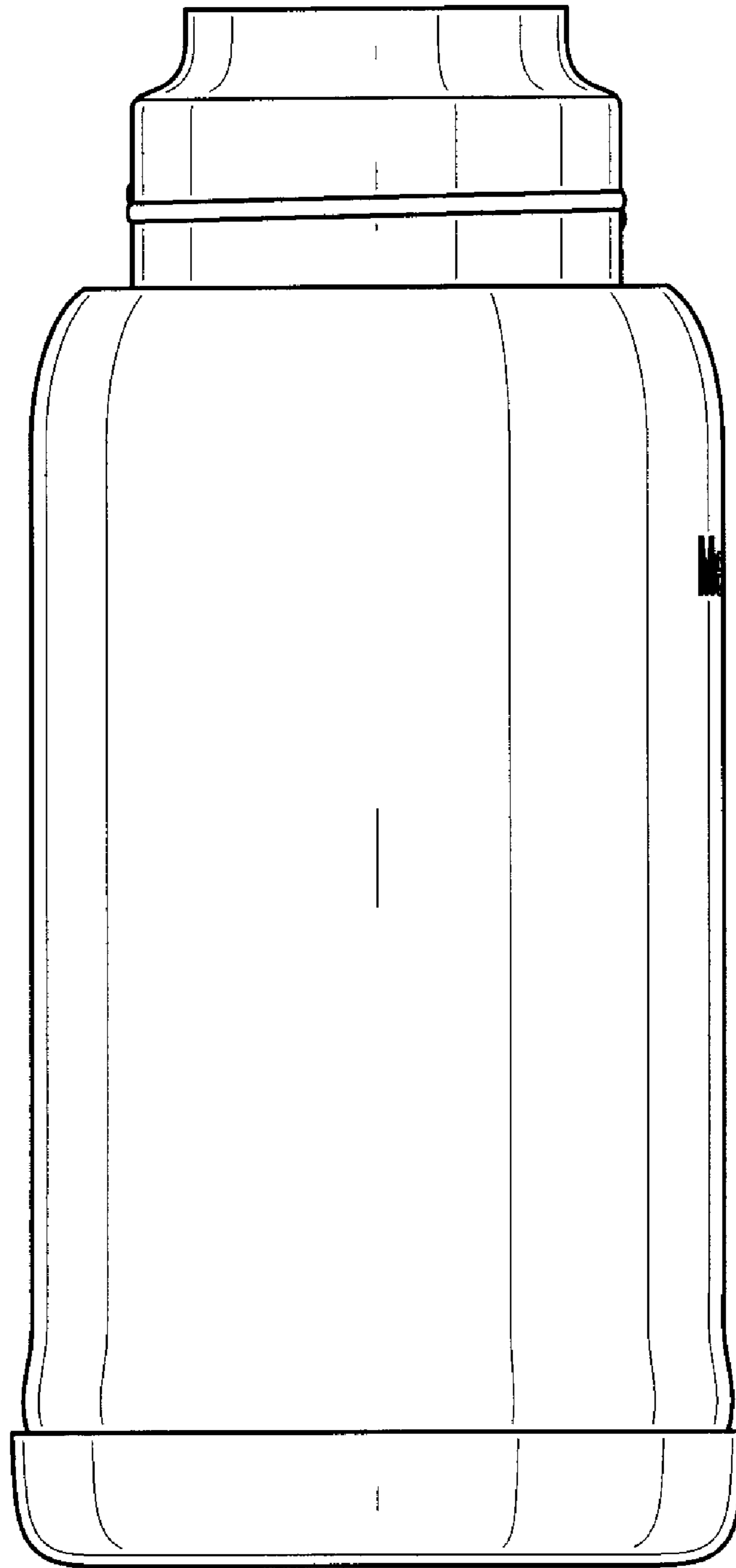


FIG. 18

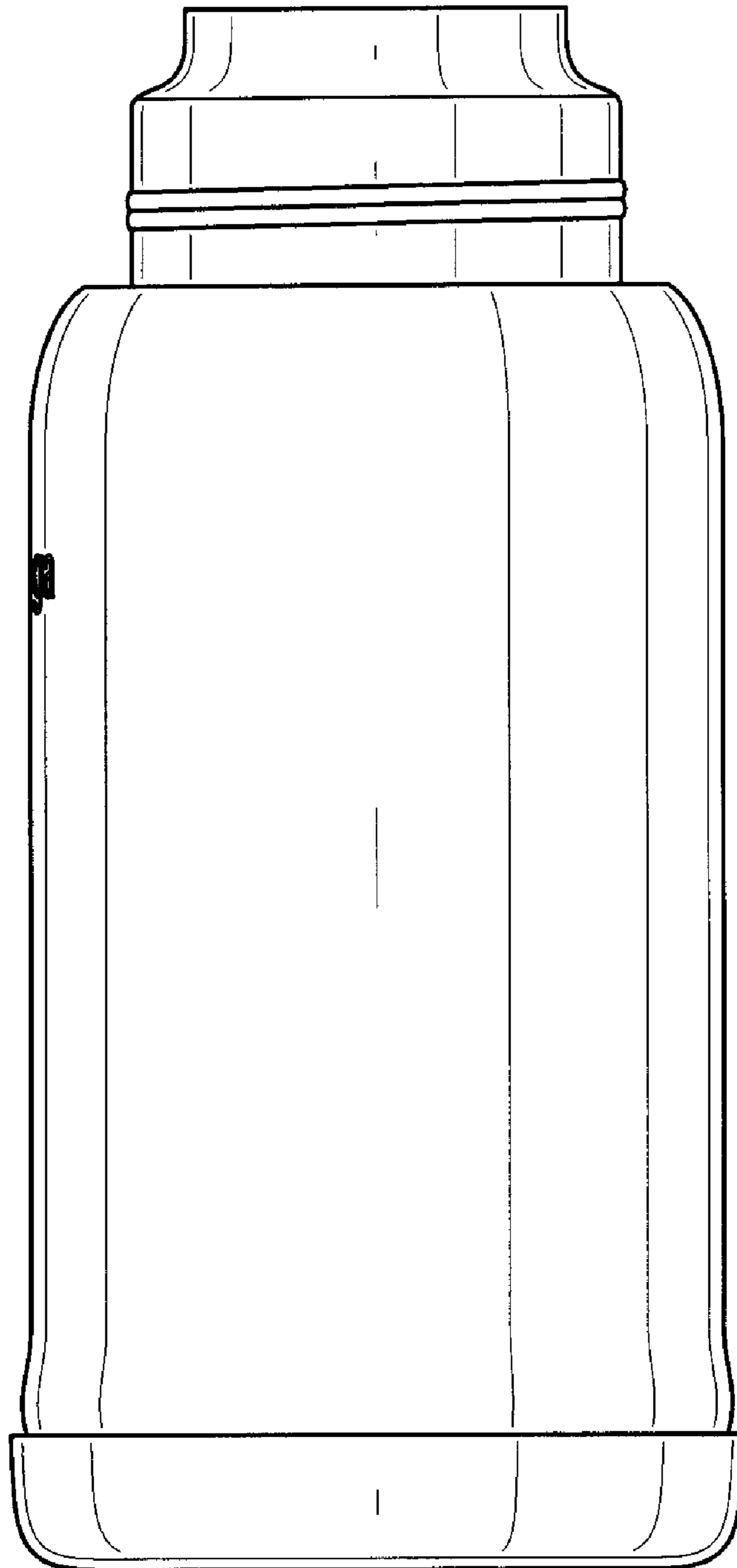


FIG. 19

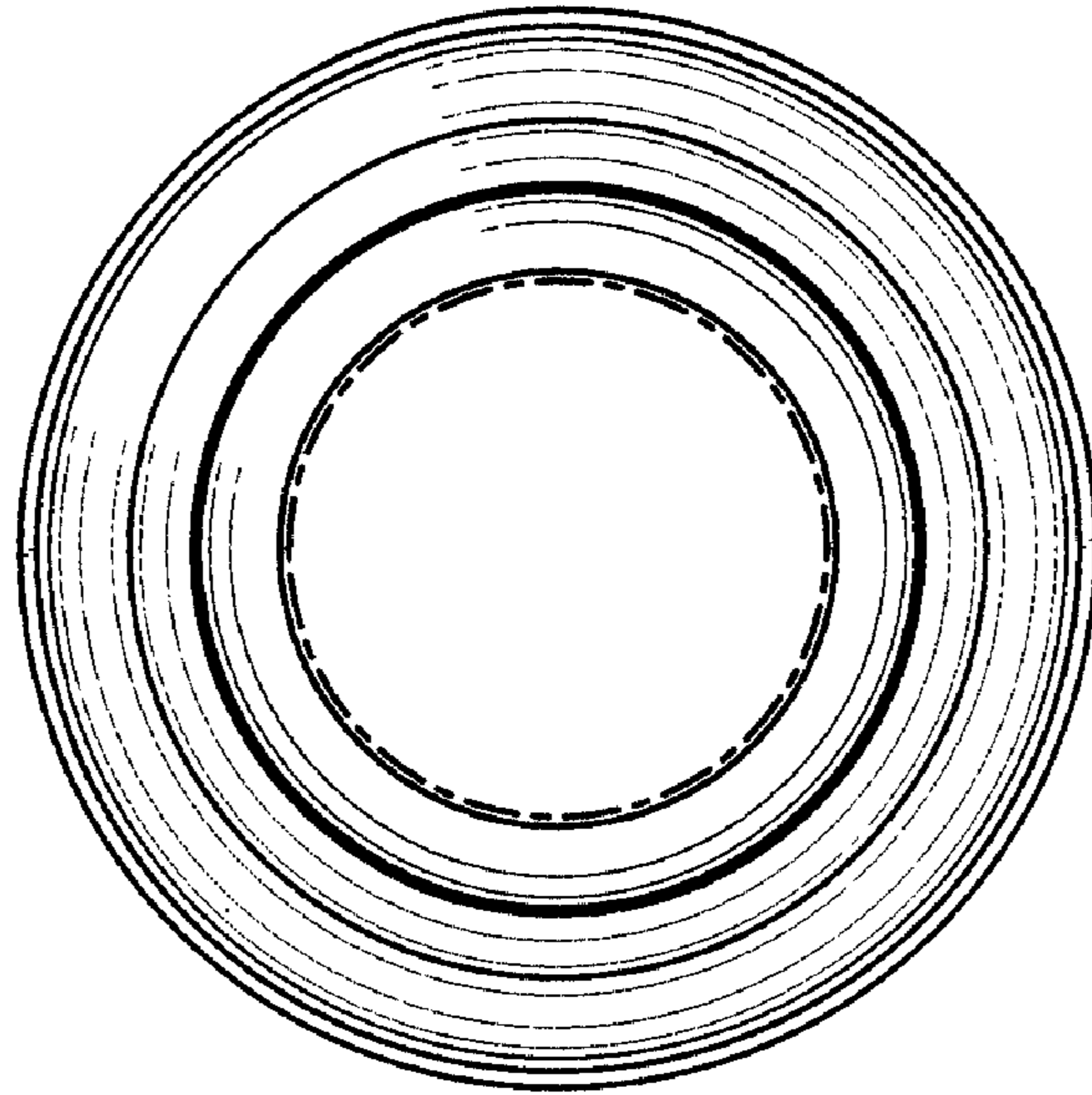


FIG. 20

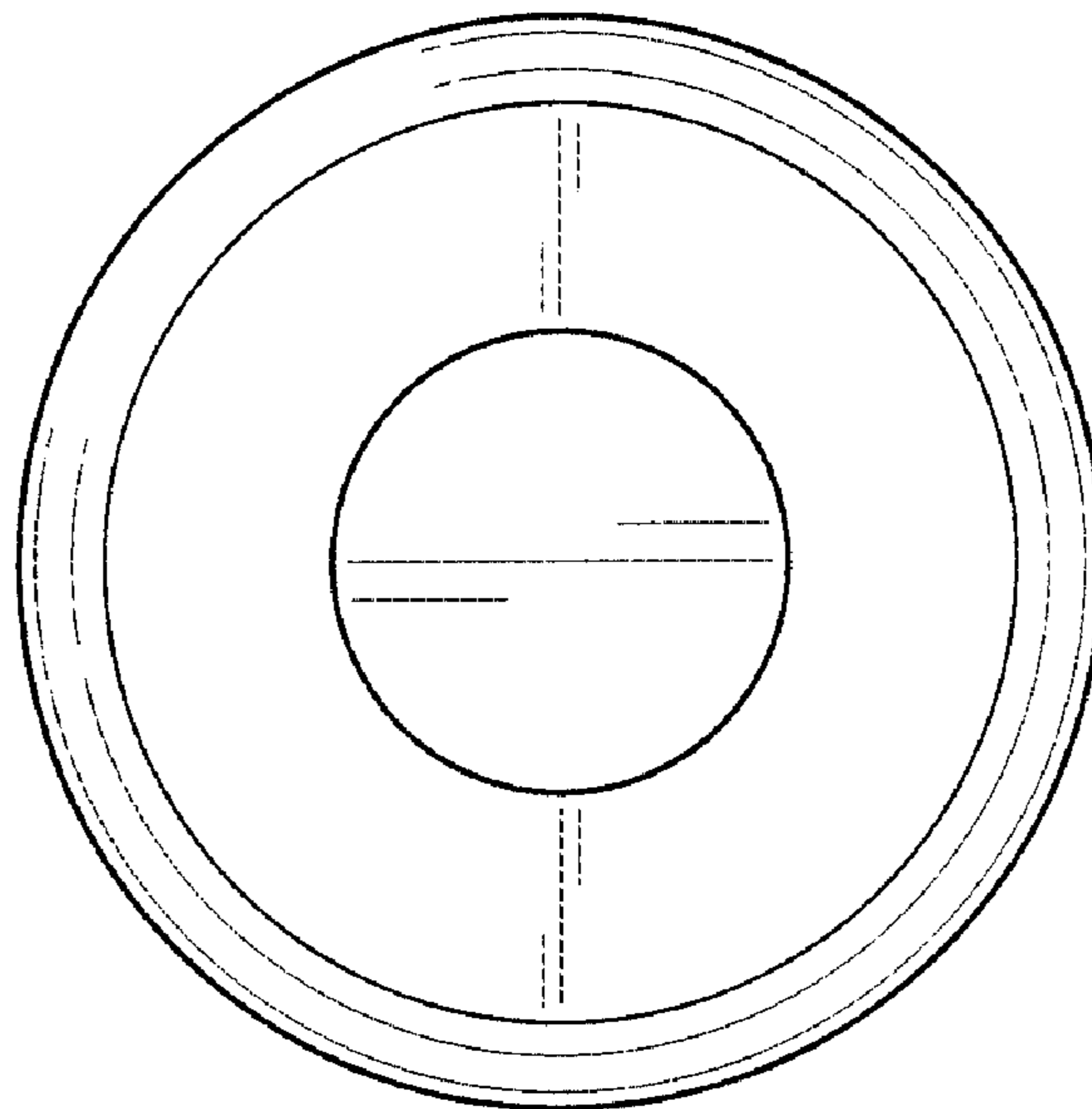


FIG. 21

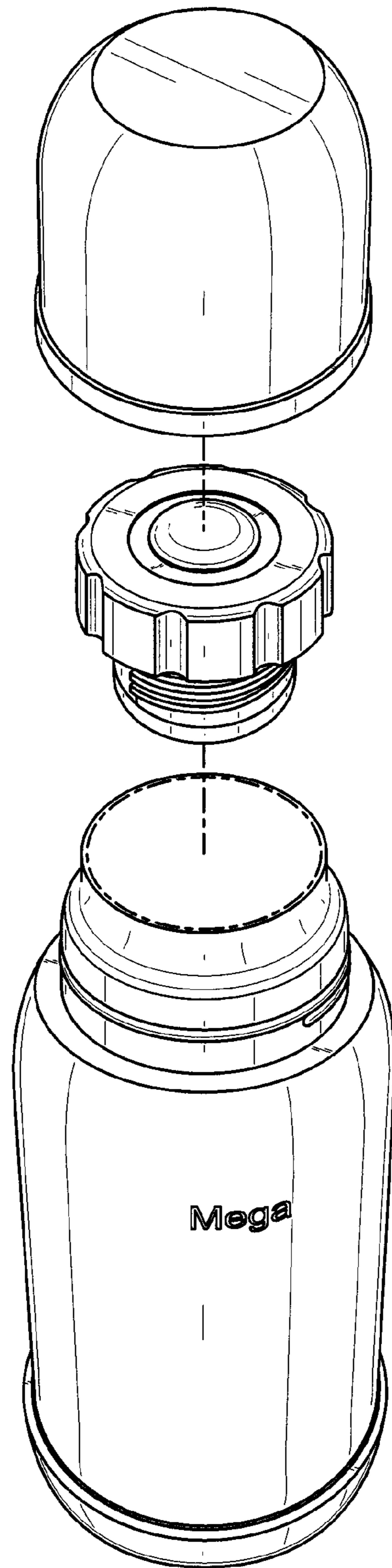


FIG. 22