



US00D623469S

(12) **United States Design Patent**
Alessi

(10) **Patent No.:** **US D623,469 S**

(45) **Date of Patent:** **** Sep. 14, 2010**

(54) **DELI SLICER WITH SCALE**

(76) **Inventor:** **Shane Alessi**, 125 A Orchard Dr., St. Clairsville, OH (US) 43950

(**) **Term:** **14 Years**

(21) **Appl. No.:** **29/316,793**

(22) **Filed:** **Nov. 2, 2009**

(51) **LOC (9) Cl.** **31-00**

(52) **U.S. Cl.** **D7/381; D7/383**

(58) **Field of Classification Search** D7/376-381, D7/383-386, 693, 382; 83/77, 91, 102, 452, 83/451, 168, 107, 104, 478, 663, 701, 703, 83/707, 708, 733, 856, 858, 859; 134/6; 241/46.11, 46.17, 43.13, 46.15
See application file for complete search history.

(56) **References Cited**

U.S. PATENT DOCUMENTS

D89,839 S *	5/1933	Folk	D7/383
D129,559 S *	9/1941	Wood	D7/383
D145,406 S *	8/1946	Meyer	D7/383
D155,292 S *	9/1949	Klingens et al.	D7/383
D165,082 S *	11/1951	McLittle	D7/383
D174,745 S *	5/1955	Green et al.	D7/383

D177,536 S *	4/1956	Preble, Jr. et al.	D7/383
2,970,623 A *	2/1961	Lundell	83/703
D488,953 S *	4/2004	Friel, Sr.	D7/383
D544,747 S *	6/2007	Biddle et al.	D7/383
D548,517 S *	8/2007	Piret	D7/381
2002/0069737 A1 *	6/2002	Zhu	83/91

* cited by examiner

Primary Examiner—Robert M Spear

Assistant Examiner—Cynthia Underwood

(74) *Attorney, Agent, or Firm*—Richard L. Mikesell

(57) **CLAIM**

The ornamental design for a deli slicer with scale, as shown and described.

DESCRIPTION

FIG. 1: Top front perspective view;

FIG. 2: Top plan view;

FIG. 3: Bottom plan view;

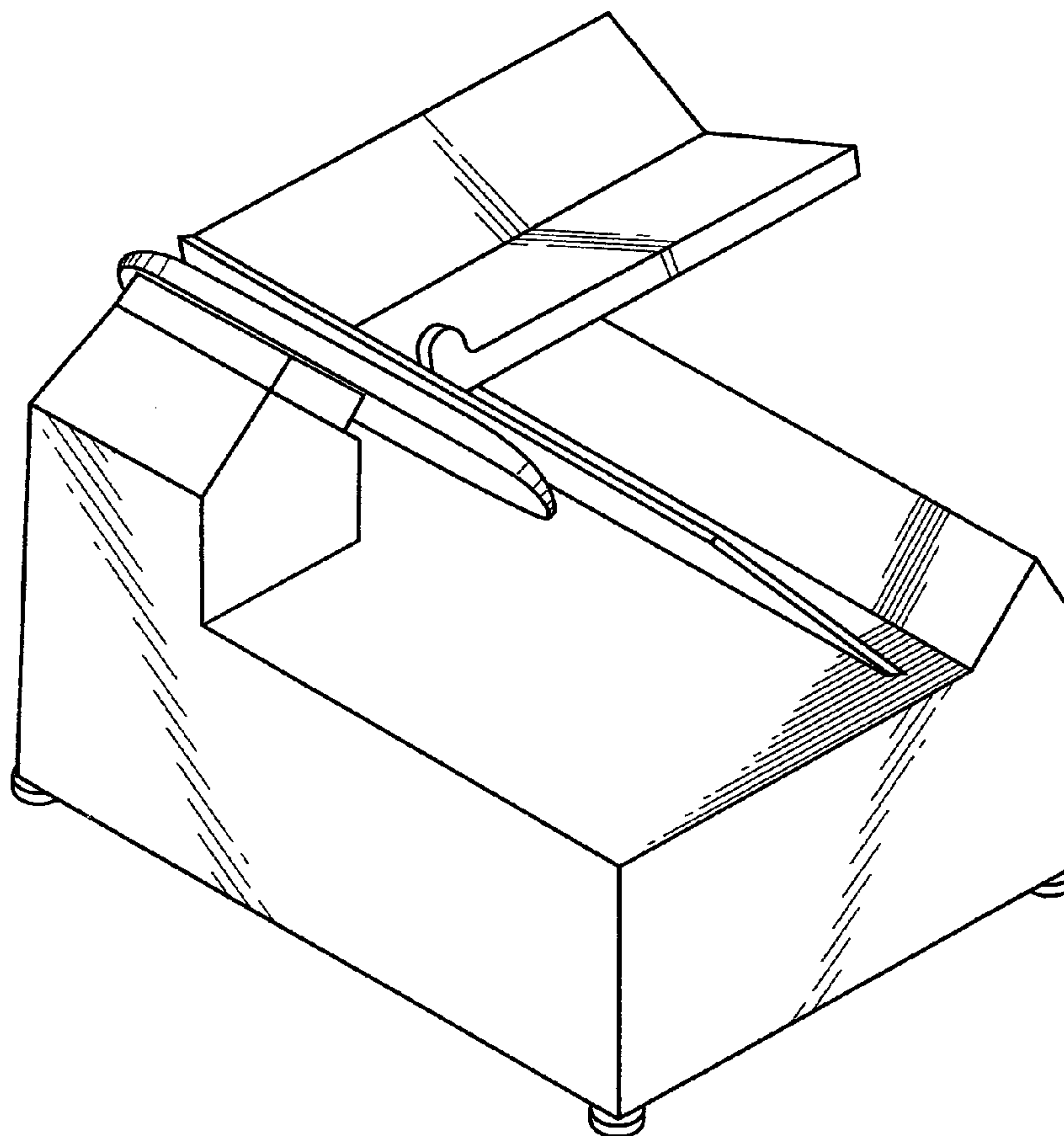
FIG. 4: Right side elevation;

FIG. 5: Left side elevation;

FIG. 6: Front end elevation; and,

FIG. 7: Rear end elevation.

1 Claim, 5 Drawing Sheets



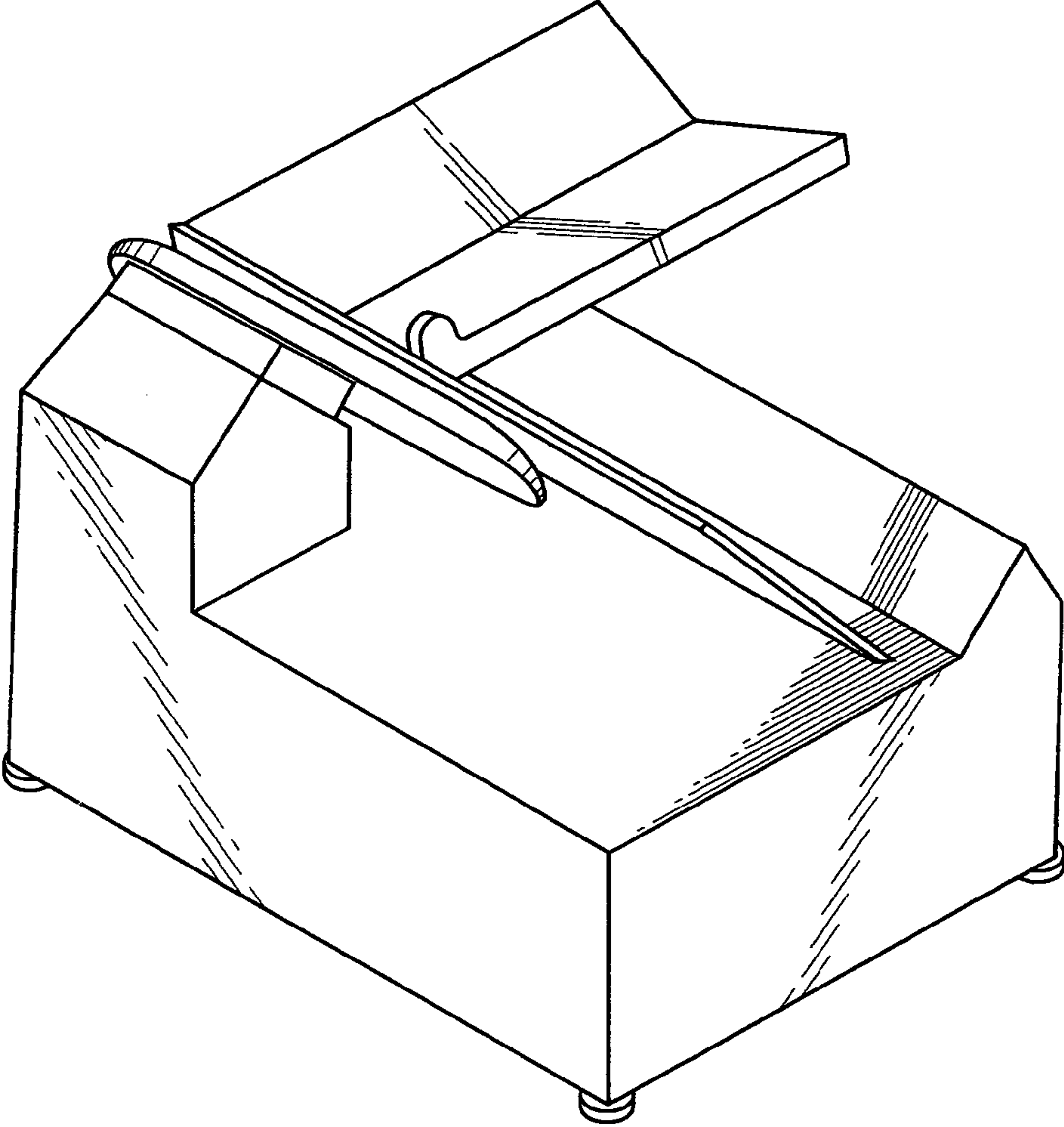


Fig. 1

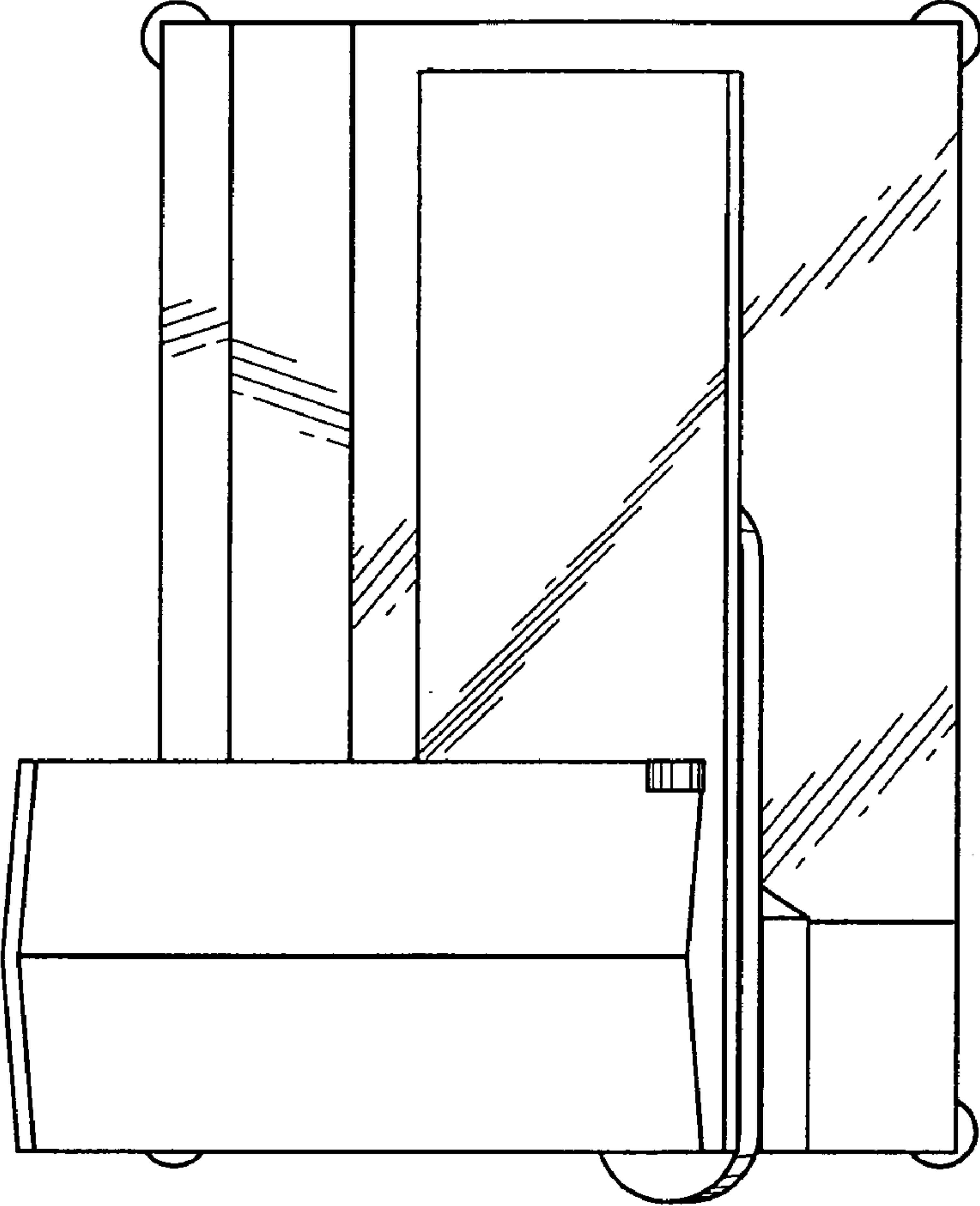


Fig. 2

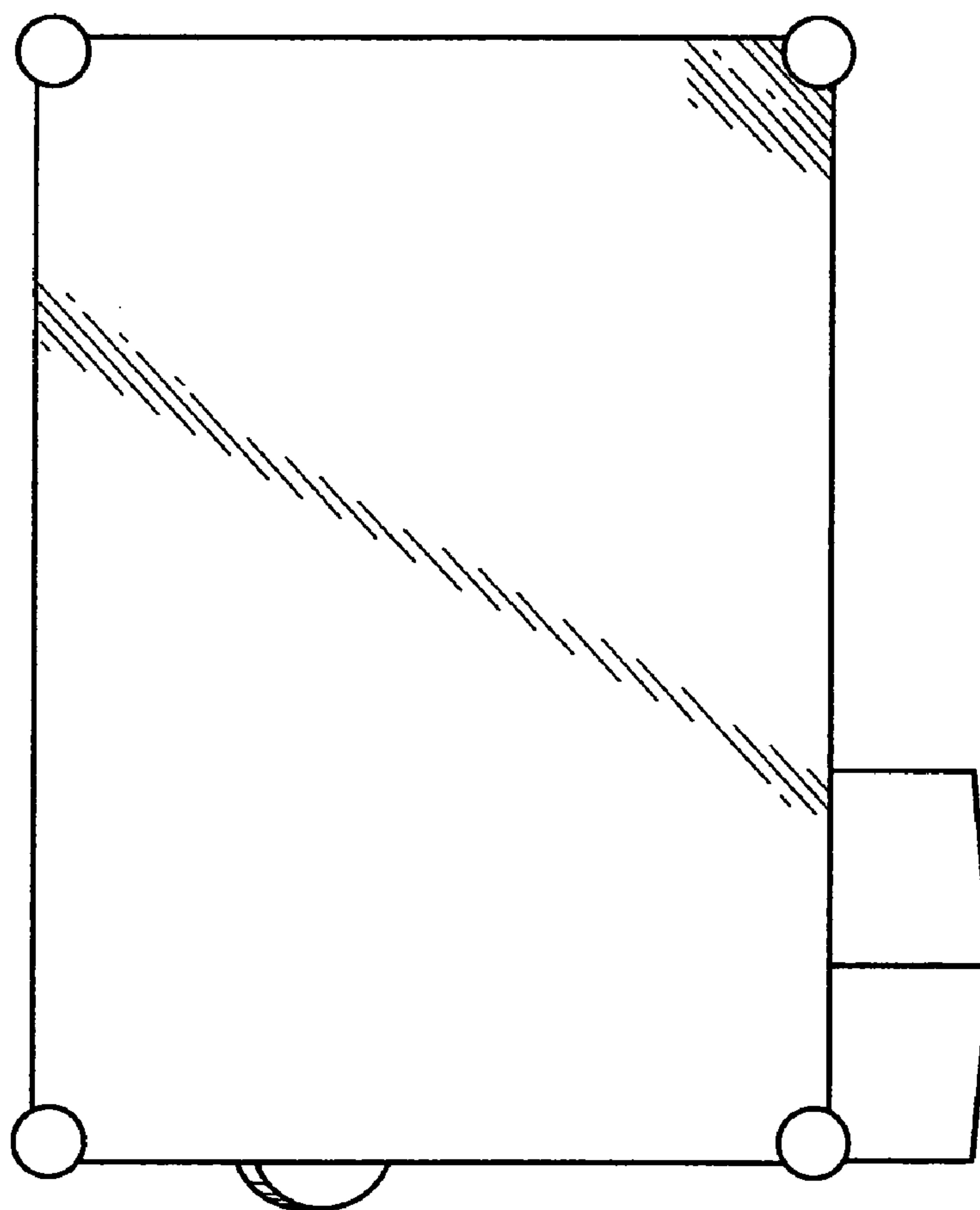


Fig. 3

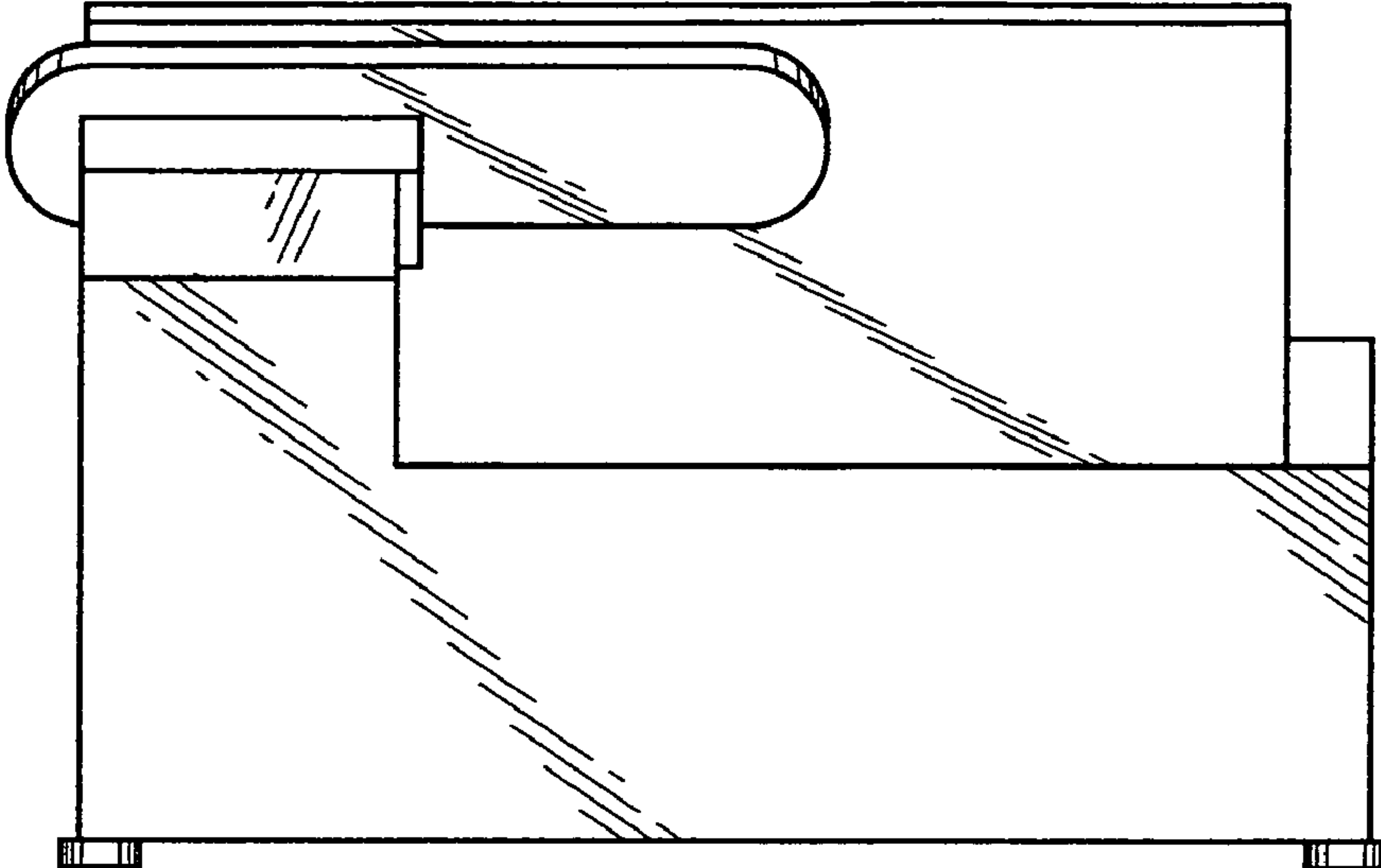


Fig. 4

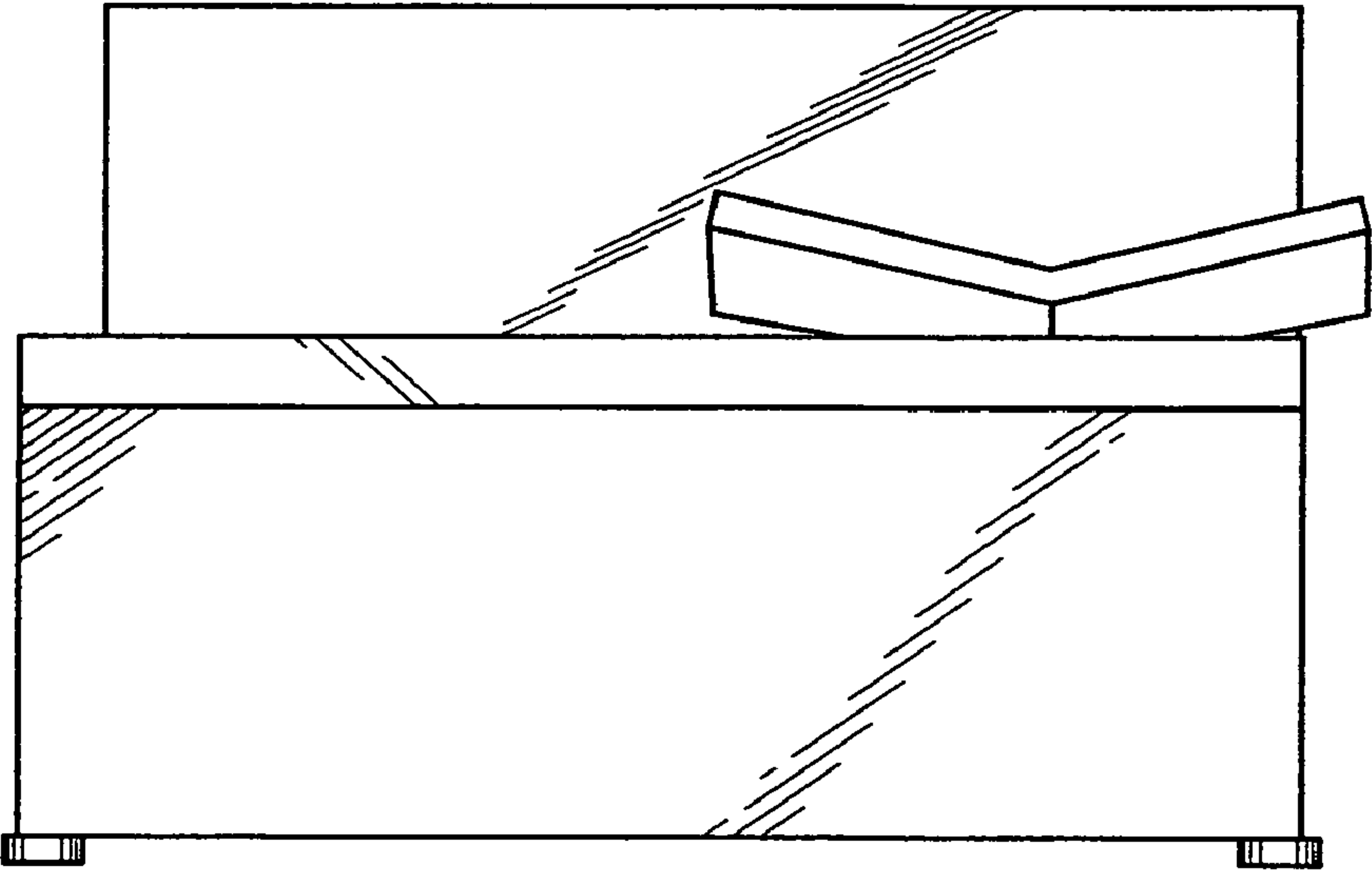


Fig. 5

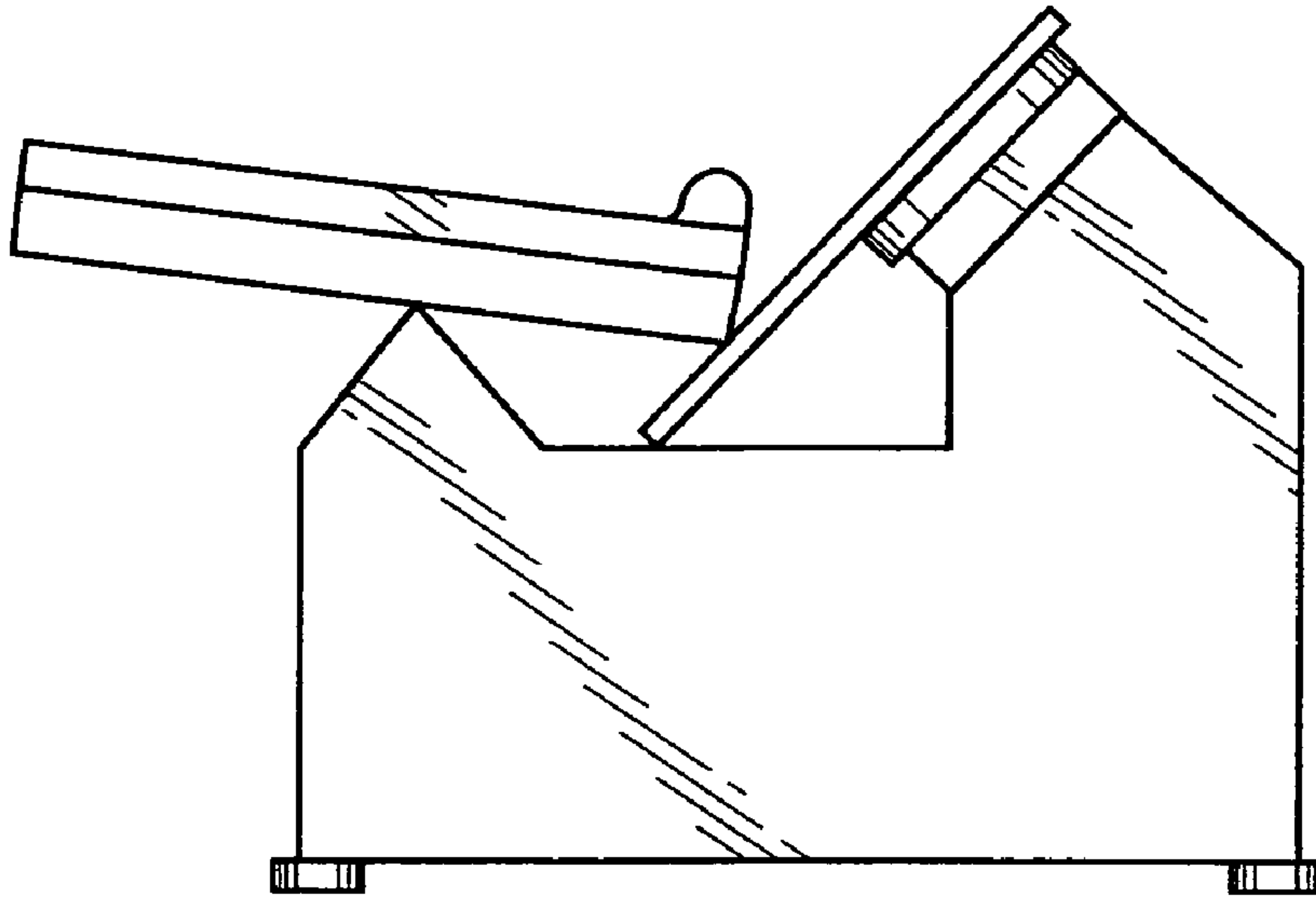


Fig. 6

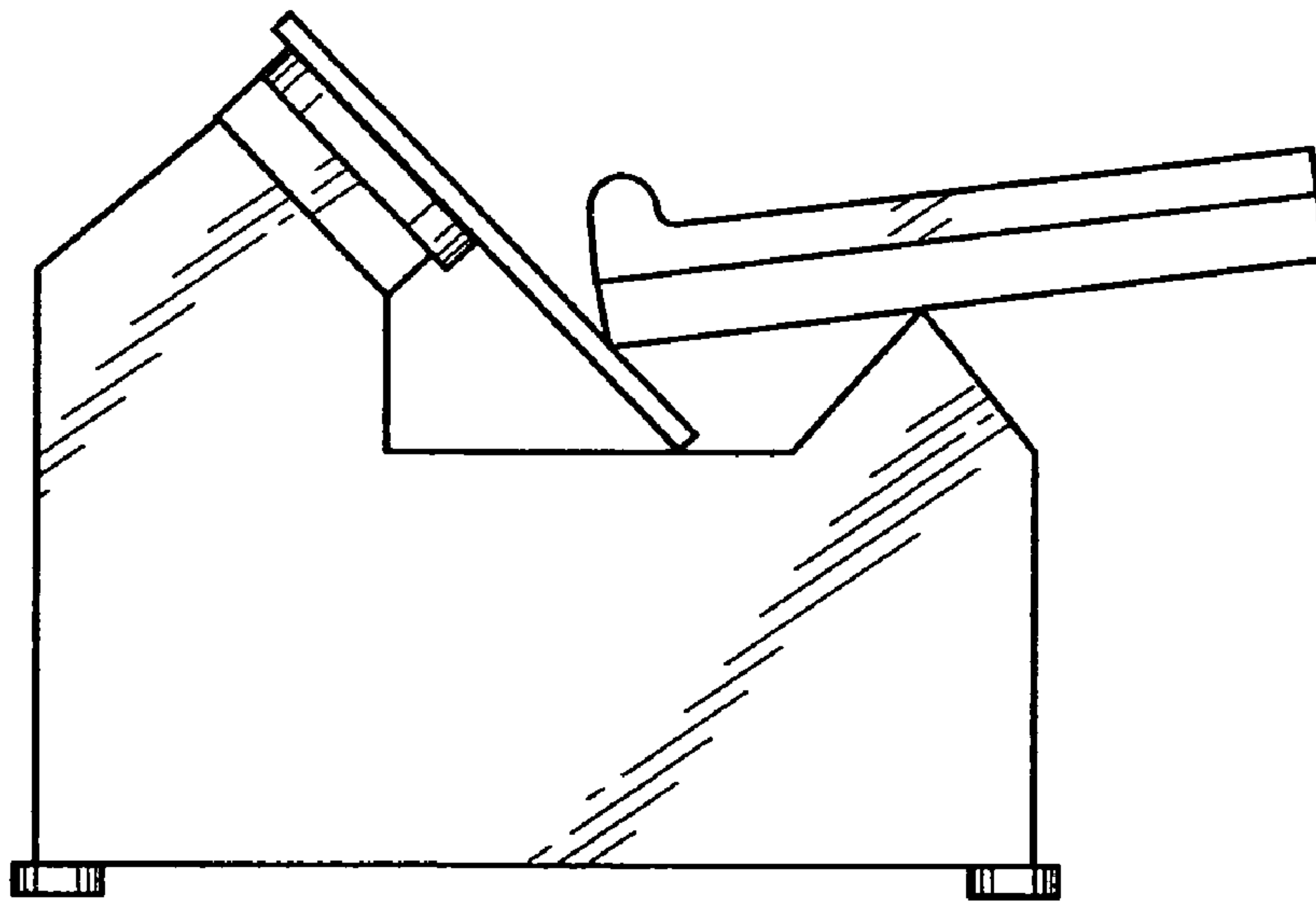


Fig. 7