



US00D623468S

(12) **United States Design Patent**
Liu

(10) **Patent No.:** **US D623,468 S**

(45) **Date of Patent:** **** Sep. 14, 2010**

(54) **STAND MIXER HEAD**

D394,781 S * 6/1998 Doggett D7/379

(75) Inventor: **Wei Liu**, Chicago, IL (US)

D400,759 S 11/1998 Doggett

(73) Assignee: **Sears Brands, L.L.C.**, Hoffman Estates, IL (US)

D436,497 S 1/2001 Nalbandian

D447,907 S 9/2001 Po-Hei

(**) Term: **14 Years**

(Continued)

(21) Appl. No.: **29/355,331**

FOREIGN PATENT DOCUMENTS

(22) Filed: **Feb. 5, 2010**

GB 2435434 A 8/2007

Related U.S. Application Data

(63) Continuation of application No. 29/341,573, filed on Aug. 7, 2009, now Pat. No. Des. 612,195.

(Continued)

(51) **LOC (9) Cl.** **31-00**

(52) **U.S. Cl.** **D7/379; D7/378**

(58) **Field of Classification Search** D7/309,
D7/317-318, 356, 376-386, 412-415, 665;
99/348, 509-511; 241/30-37.5, 101.01-101.2,
241/166-169.1, 274-278.2, 285.1-285.3,
241/291, 292.1; 366/64-67, 98, 142, 192,
366/197-211, 203-207, 241-254, 279-292,
366/341-347

Primary Examiner—Caron Veynar

Assistant Examiner—Ricky Pham

(74) *Attorney, Agent, or Firm*—Greenberg Traurig, LLP

See application file for complete search history.

(57) **CLAIM**

What is claimed is the ornamental design for a stand mixer head, as shown and described.

(56) **References Cited**

DESCRIPTION

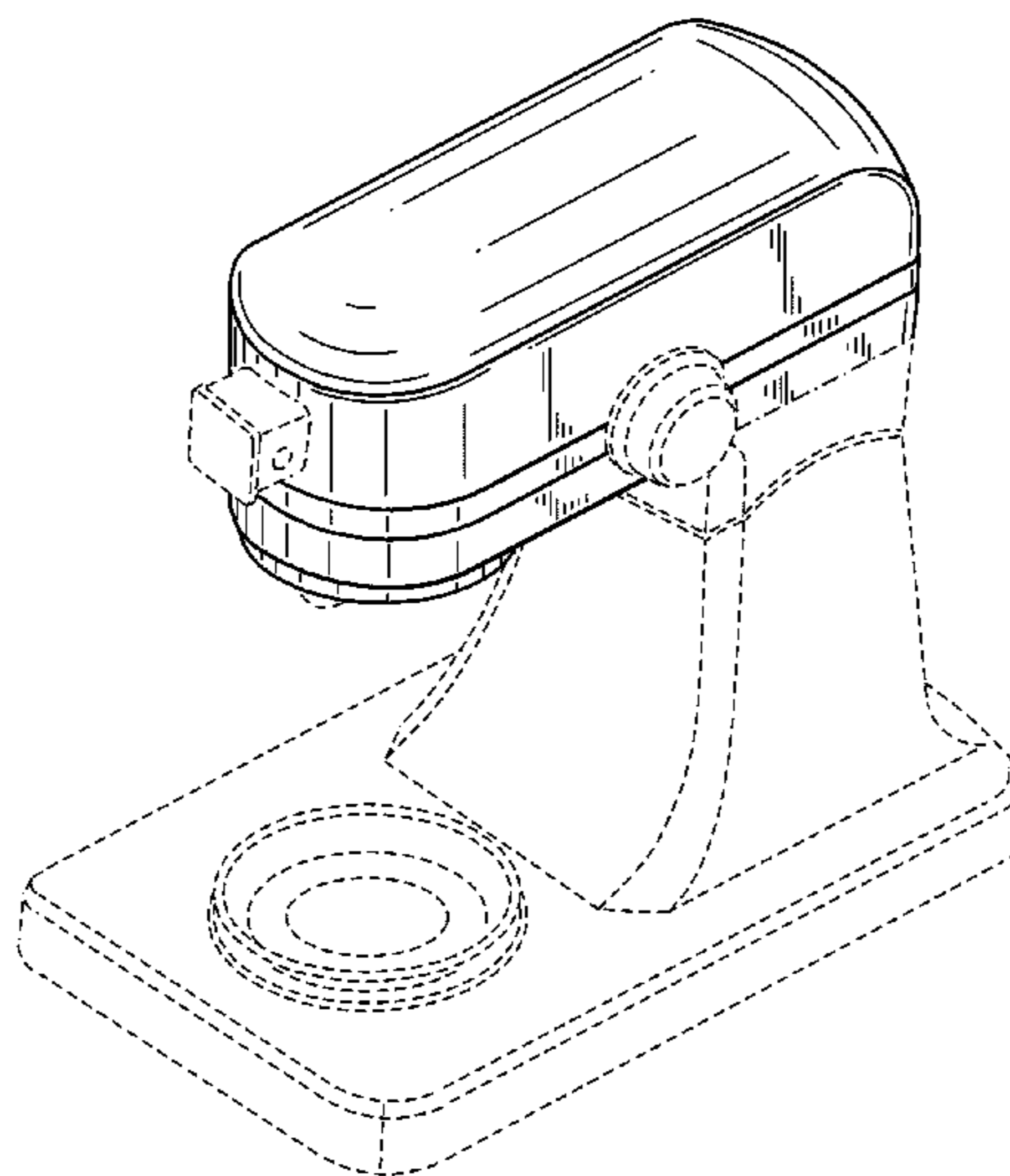
U.S. PATENT DOCUMENTS

- D116,747 S * 9/1939 Meeker et al. D7/379
- D162,875 S 4/1951 Polivka et al.
- D168,037 S * 10/1952 Karstadt D7/379
- 2,662,753 A * 12/1953 Schwarz 366/200
- D189,936 S 3/1961 Grange
- D209,072 S 10/1967 Duncan
- D286,258 S 10/1986 Grange
- 4,822,172 A * 4/1989 Stottmann 366/142
- 4,893,942 A 1/1990 Stottmann
- 4,900,160 A 2/1990 Brooks et al.
- D319,555 S 9/1991 Thomas
- D322,010 S 12/1991 Doggett

FIG. 1 is a perspective view of a stand mixer head;
FIG. 2 is a first side-view of the stand mixer head;
FIG. 3 is a second side-view of the stand mixer head;
FIG. 4 is a front view of the stand mixer head;
FIG. 5 is a rear view of the stand mixer head;
FIG. 6 is a top view of the stand mixer head; and,
FIG. 7 is a bottom view of the stand mixer head.

The dotted lines are provided for illustrative purposes only and form no part of the design claimed.

1 Claim, 6 Drawing Sheets



US D623,468 S

Page 2

U.S. PATENT DOCUMENTS

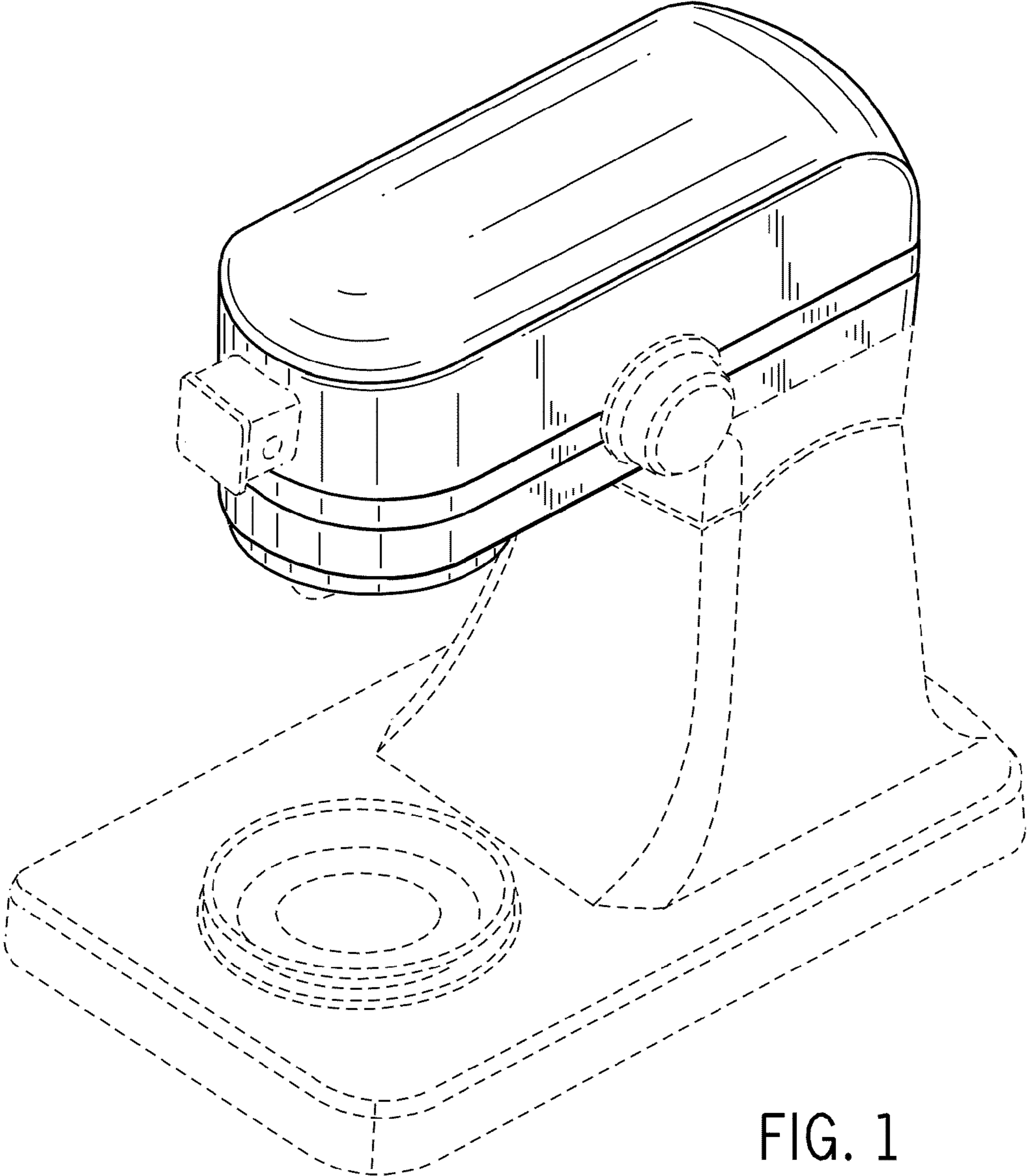
D489,569 S 5/2004 Smith et al.
D489,936 S 5/2004 Smith et al.
D499,604 S 12/2004 Hooper et al.
D502,841 S 3/2005 Santer
D530,146 S * 10/2006 Ball et al. D7/379
D533,017 S 12/2006 Wilson
7,175,338 B2 * 2/2007 Hooper et al. 366/197
D540,116 S * 4/2007 Feil D7/384

D550,499 S * 9/2007 Argabrite et al. D7/309
D564,298 S * 3/2008 Short et al. D7/412
D584,916 S 1/2009 Christou
2005/0058018 A1 * 3/2005 Hooper et al. 366/197
2006/0198240 A1 * 9/2006 Short et al. 366/197

FOREIGN PATENT DOCUMENTS

WO WO 2005034699 A1 4/2005

* cited by examiner



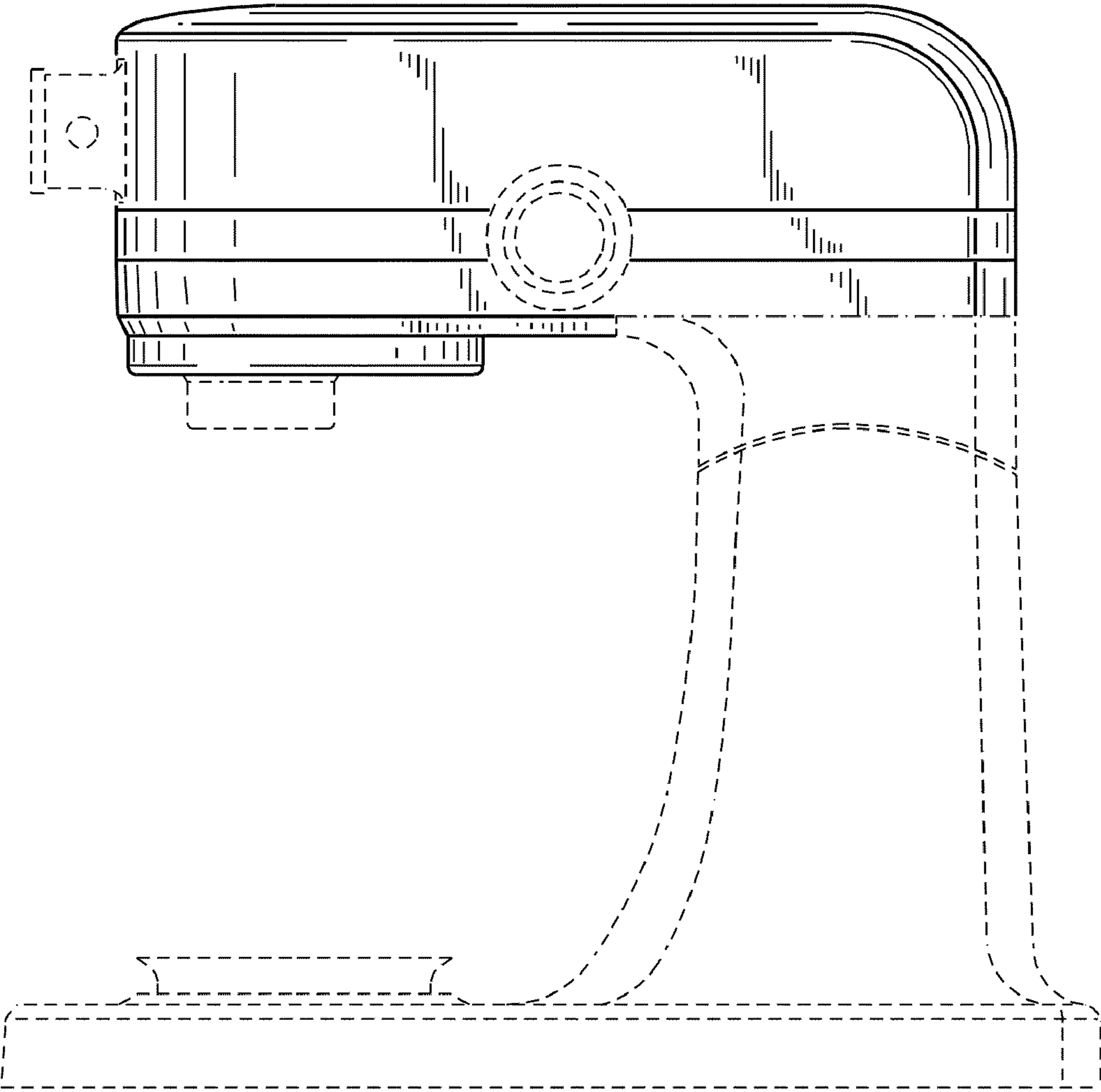


FIG. 2

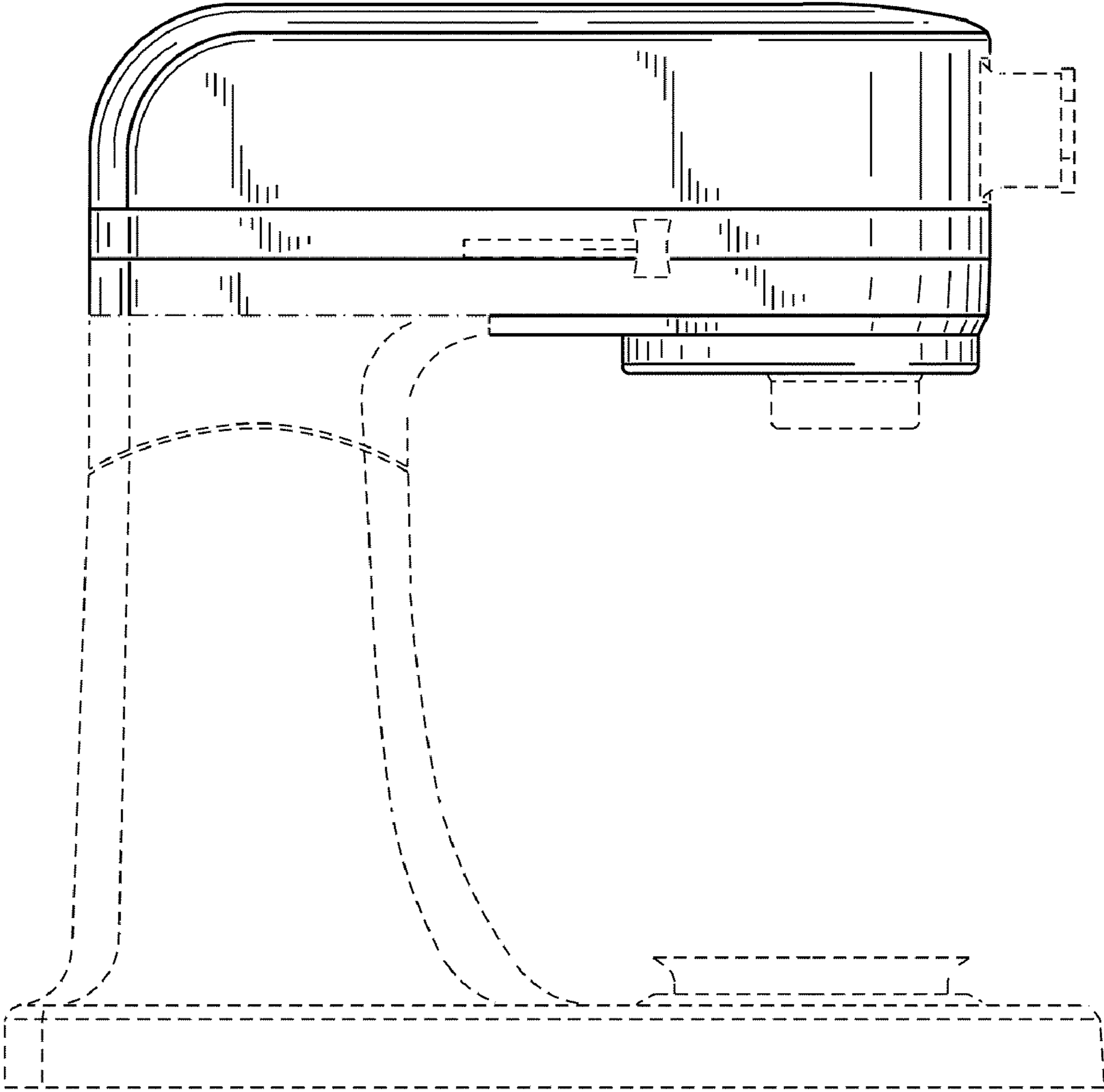


FIG. 3

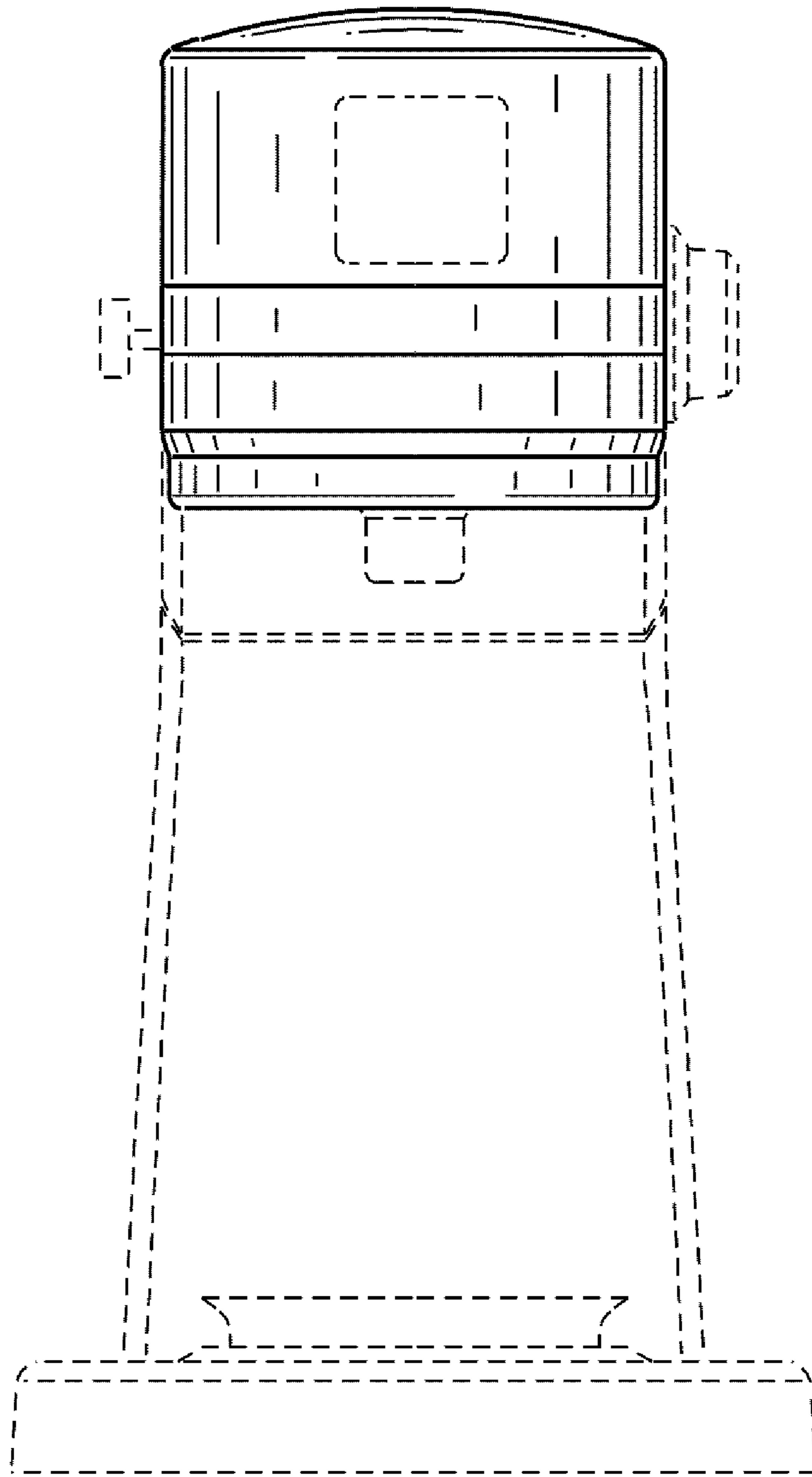


FIG. 4

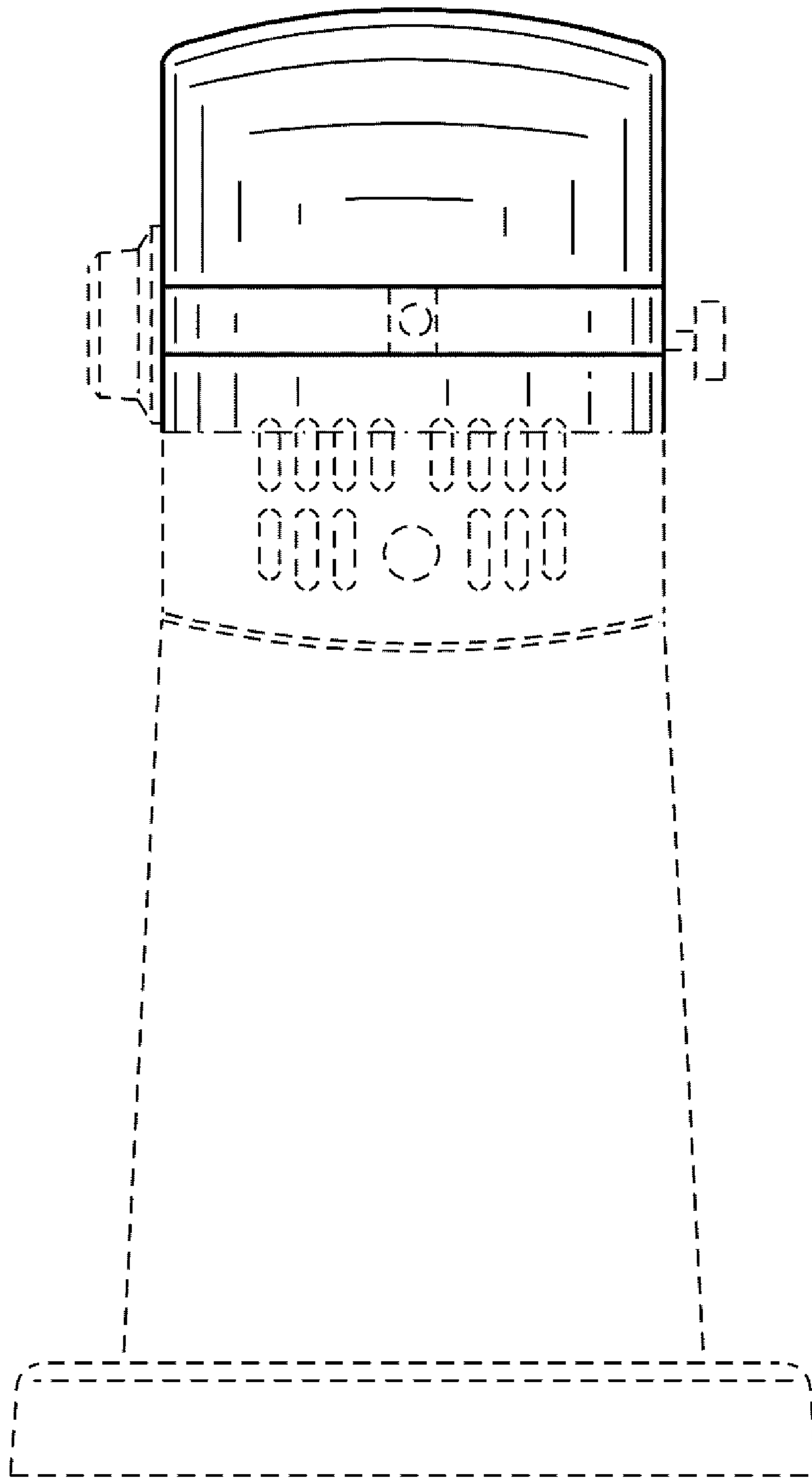


FIG. 5

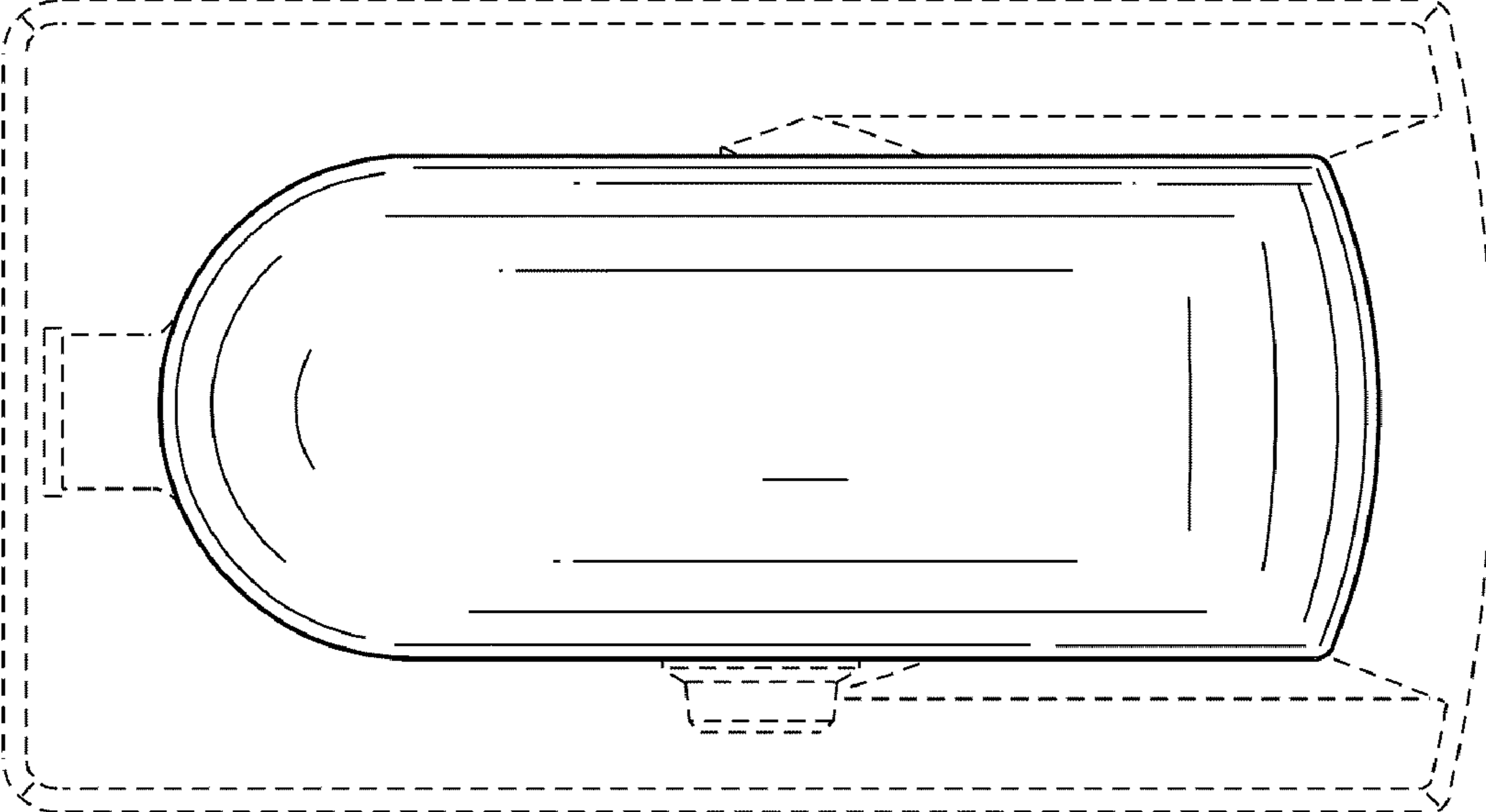


FIG. 6



FIG. 7