



US00D623467S

(12) **United States Design Patent**  
**Lin**

(10) **Patent No.:** **US D623,467 S**

(45) **Date of Patent:** **\*\* Sep. 14, 2010**

(54) **DOUGH ROLLER**

6,955,533 B2 \* 10/2005 Morikawa ..... 425/193

(76) Inventor: **King-Yuan Lin**, 4602 Brass Way,  
Dallas, TX (US) 75236

(\*\*) Term: **14 Years**

(21) Appl. No.: **29/315,188**

(22) Filed: **Jun. 2, 2009**

(51) **LOC (9) Cl.** ..... **31-00**

(52) **U.S. Cl.** ..... **D7/368**

(58) **Field of Classification Search** ..... D7/368,  
D7/376, 381; 99/348, 353; 425/151, 215,  
425/225, 320, 363, 364 R, 367, 362, DIG. 230,  
425/152, 337, 93, 99, 190, 191, 197, 205

See application file for complete search history.

(56) **References Cited**

**U.S. PATENT DOCUMENTS**

1,314,170	A *	8/1919	Van Houten	.....	425/93
2,790,397	A *	4/1957	Winkler	.....	425/324.1
4,177,030	A *	12/1979	Seiling	.....	425/238
4,255,106	A	3/1981	Anetsberger et al.		
4,586,888	A	5/1986	Anderson		
4,668,174	A *	5/1987	Williams	.....	425/145
5,112,208	A	5/1992	Voth		
5,460,506	A *	10/1995	Price et al.	.....	425/190
D376,725	S *	12/1996	Kang	.....	D7/376
5,605,708	A *	2/1997	Cummins et al.	.....	425/332
5,775,804	A *	7/1998	Meier	.....	366/76.8
5,783,222	A	7/1998	Voyatzakis et al.		

**OTHER PUBLICATIONS**

Anetsberger Brothers, Inc., Anets Dough Roller Series, Northbrook, IL, www.anetsberger.com.

Somerset Industries, Inc., North Billerica, MA, Model CDR-1550 Dough Roller, www.smerset.com/dough-roller.

Somerset Industries, Inc., North Billerica, MA, Model CDR-2000 Dough Roller, www.smerset.com/dough-roller.

Somerset Industries, Inc., North Billerica, MA, Model CDR 2100S Dough Roller, www.smerset.com/dough-roller.

\* cited by examiner

*Primary Examiner*—Terry A Wallace

(74) *Attorney, Agent, or Firm*—Todd N. Hathaway

(57) **CLAIM**

The ornamental design for a dough roller, as shown and described.

**DESCRIPTION**

FIG. 1 is a front perspective view of a dough roller showing my new design;

FIG. 2 is a front elevational view thereof;

FIG. 3 is a right side elevational view thereof;

FIG. 4 is a left side elevational view thereof;

FIG. 5 is a rear elevational view thereof;

FIG. 6 is a top plan view thereof; and,

FIG. 7 is a bottom plan view thereof.

**1 Claim, 7 Drawing Sheets**

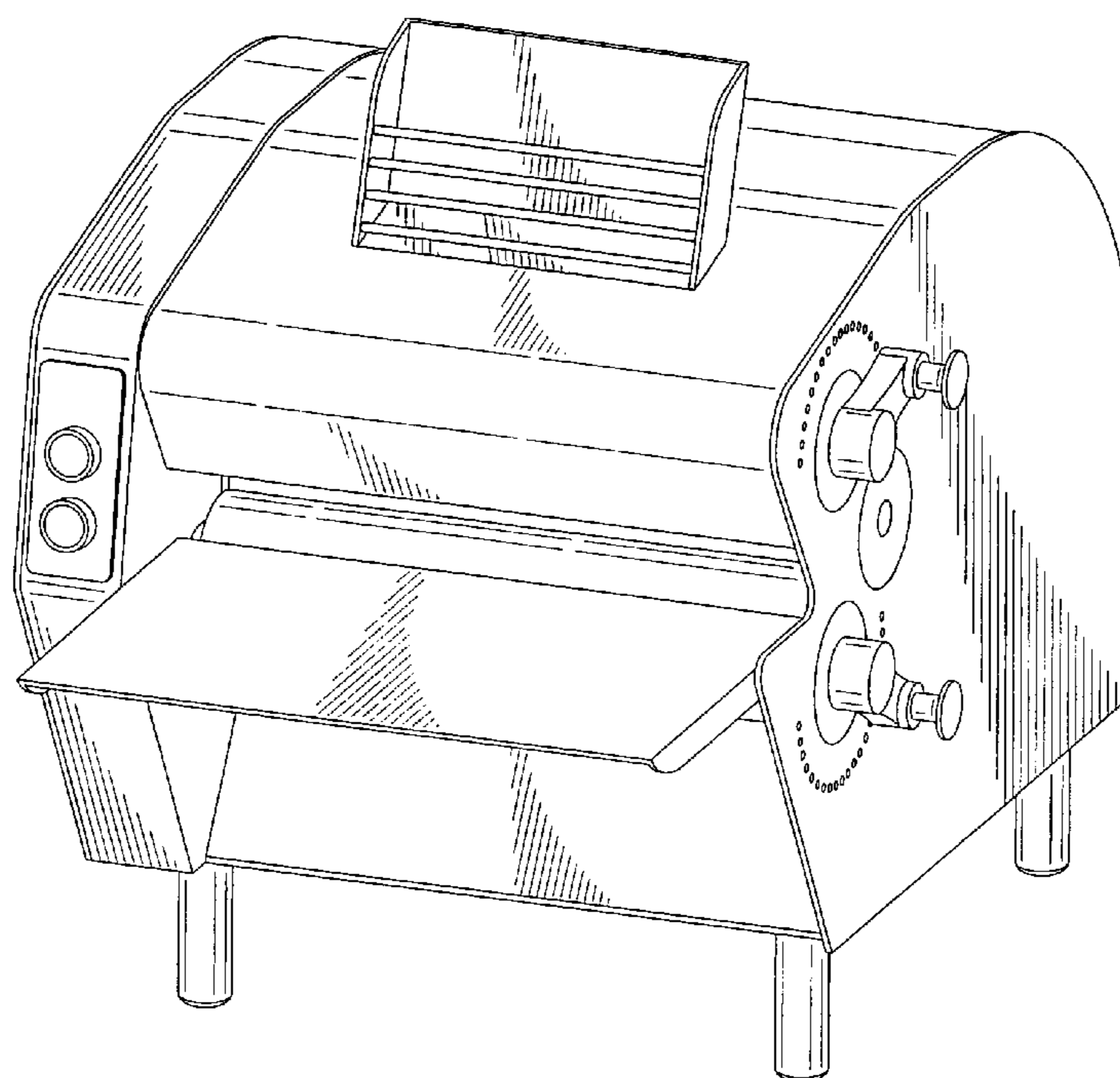


FIG. 1

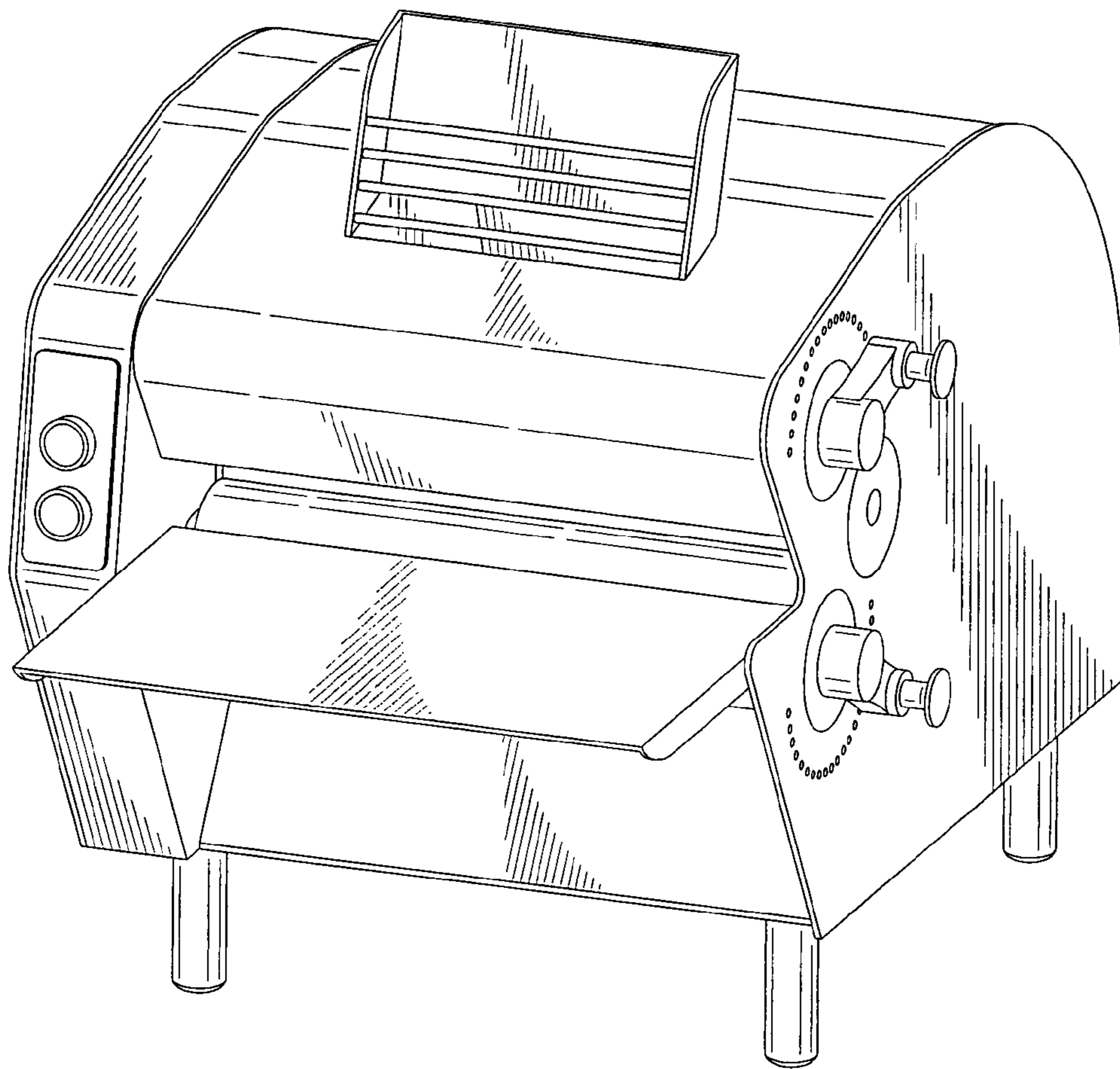


FIG. 2

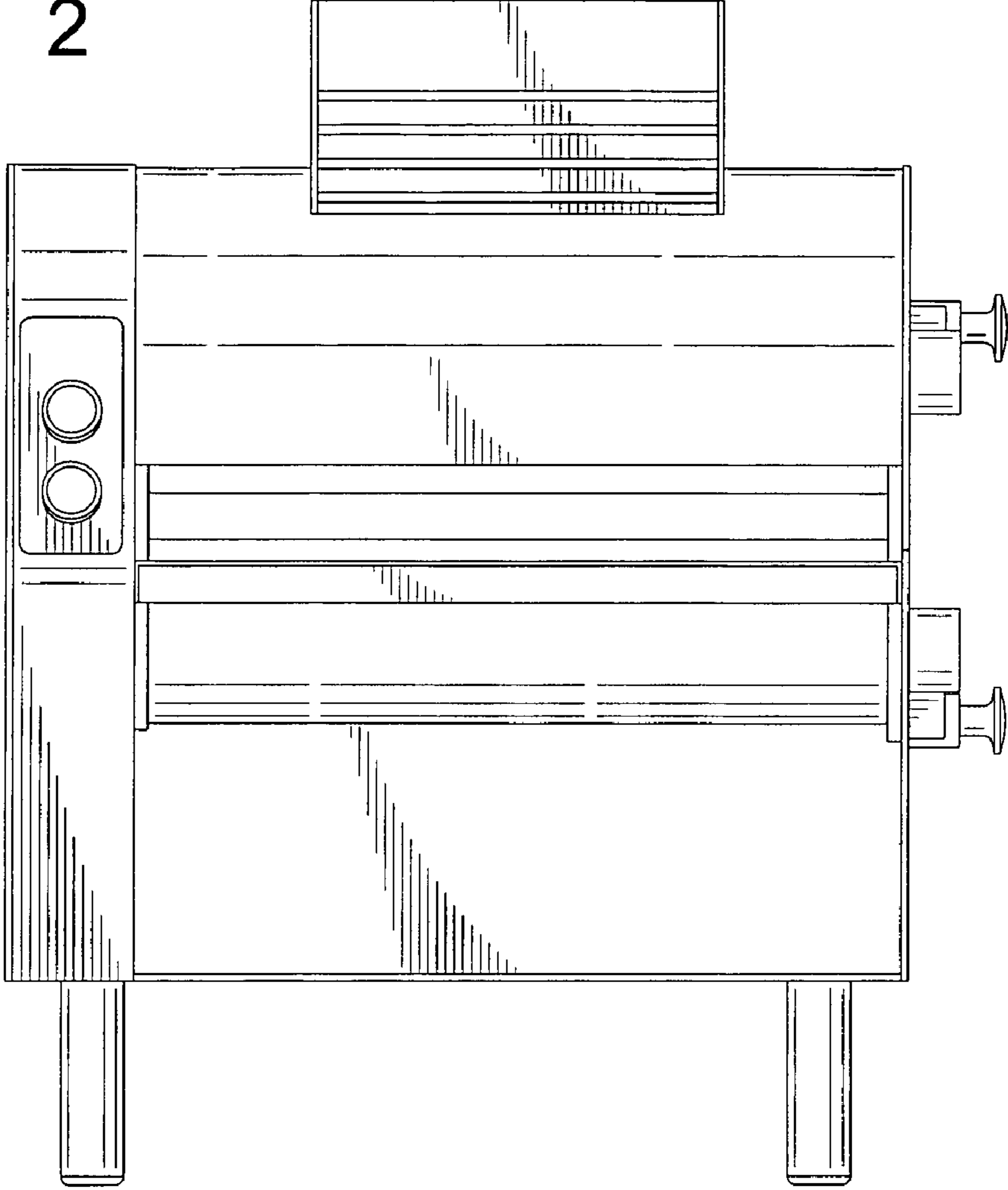


FIG. 3

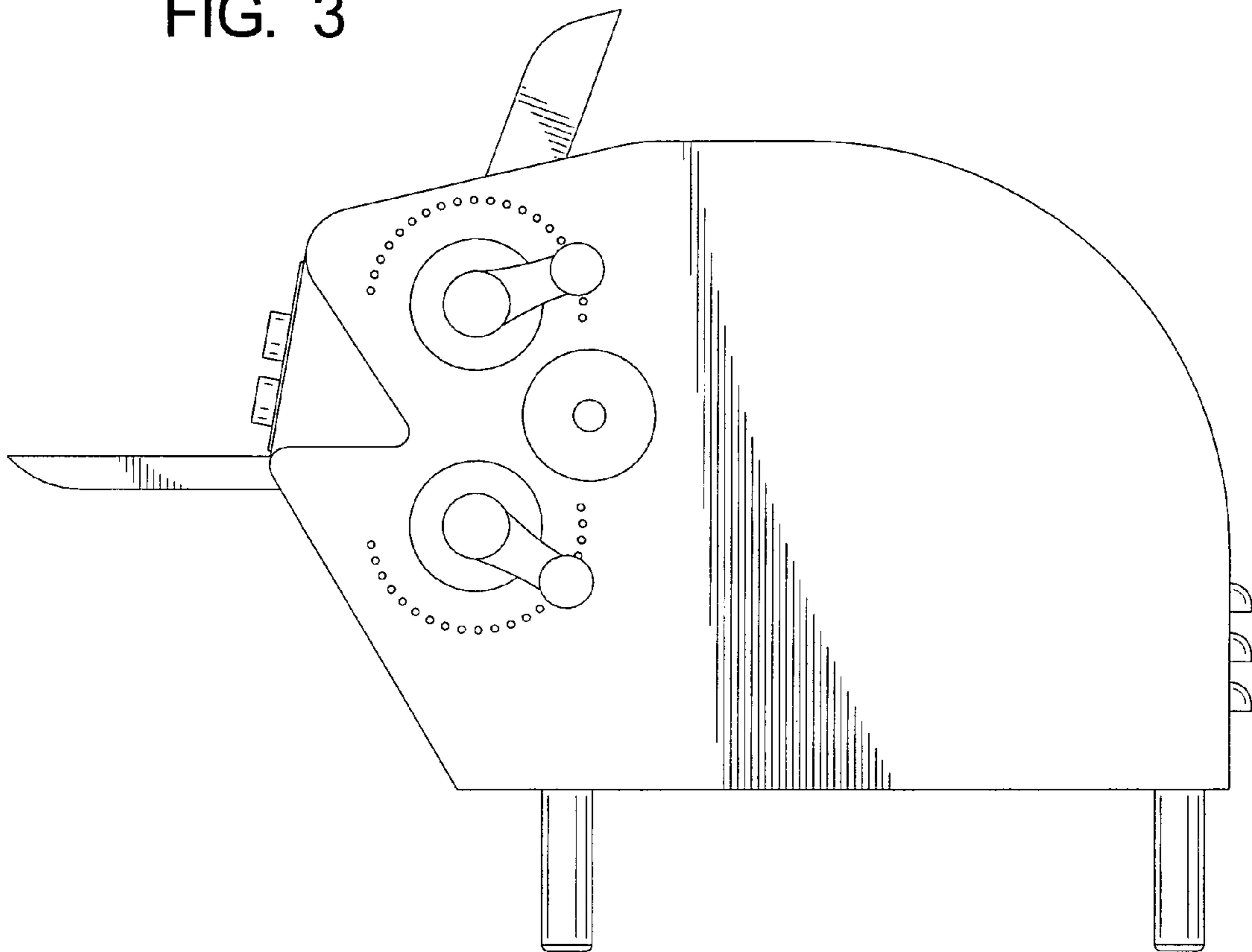


FIG. 4

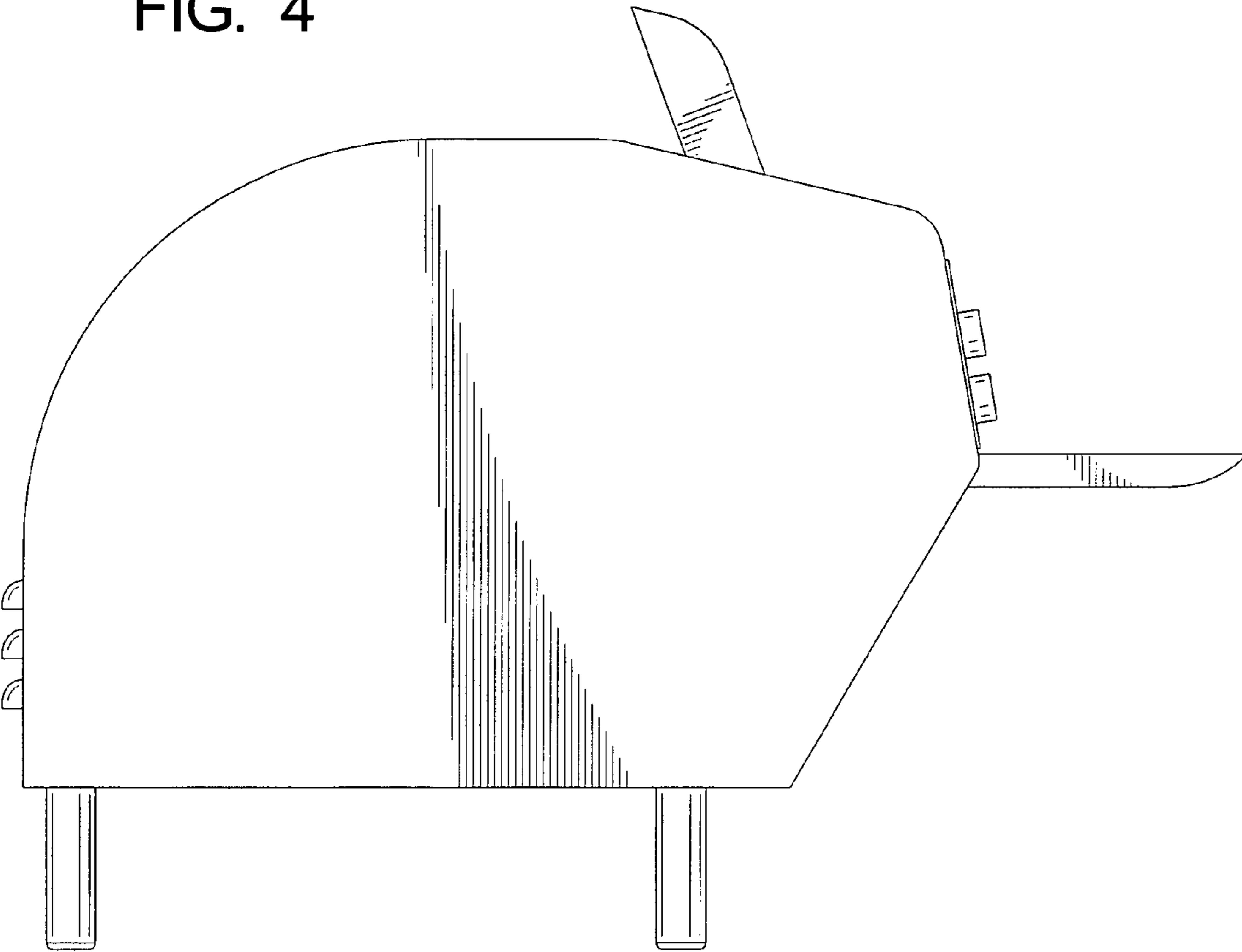


FIG. 5

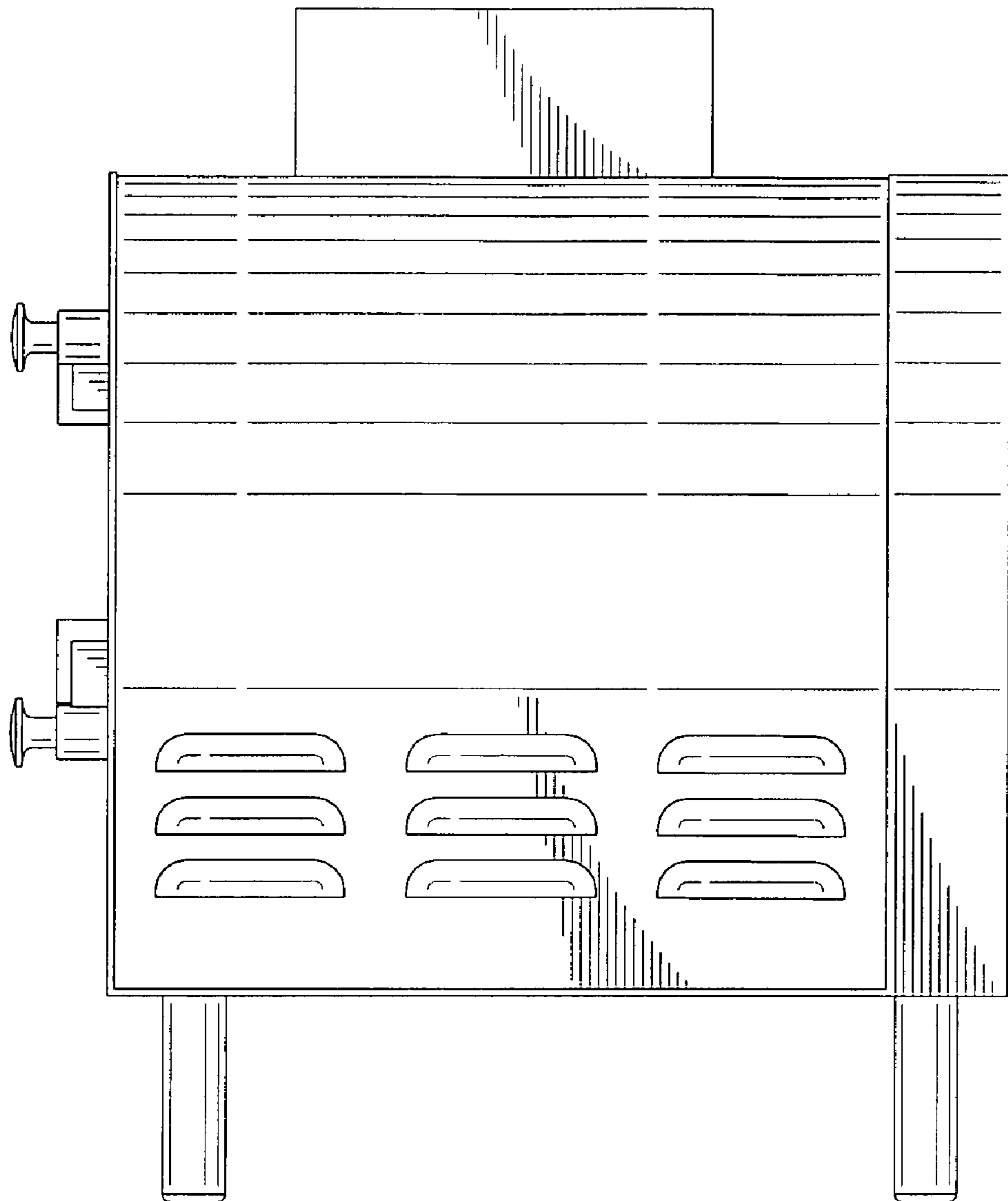


FIG. 6

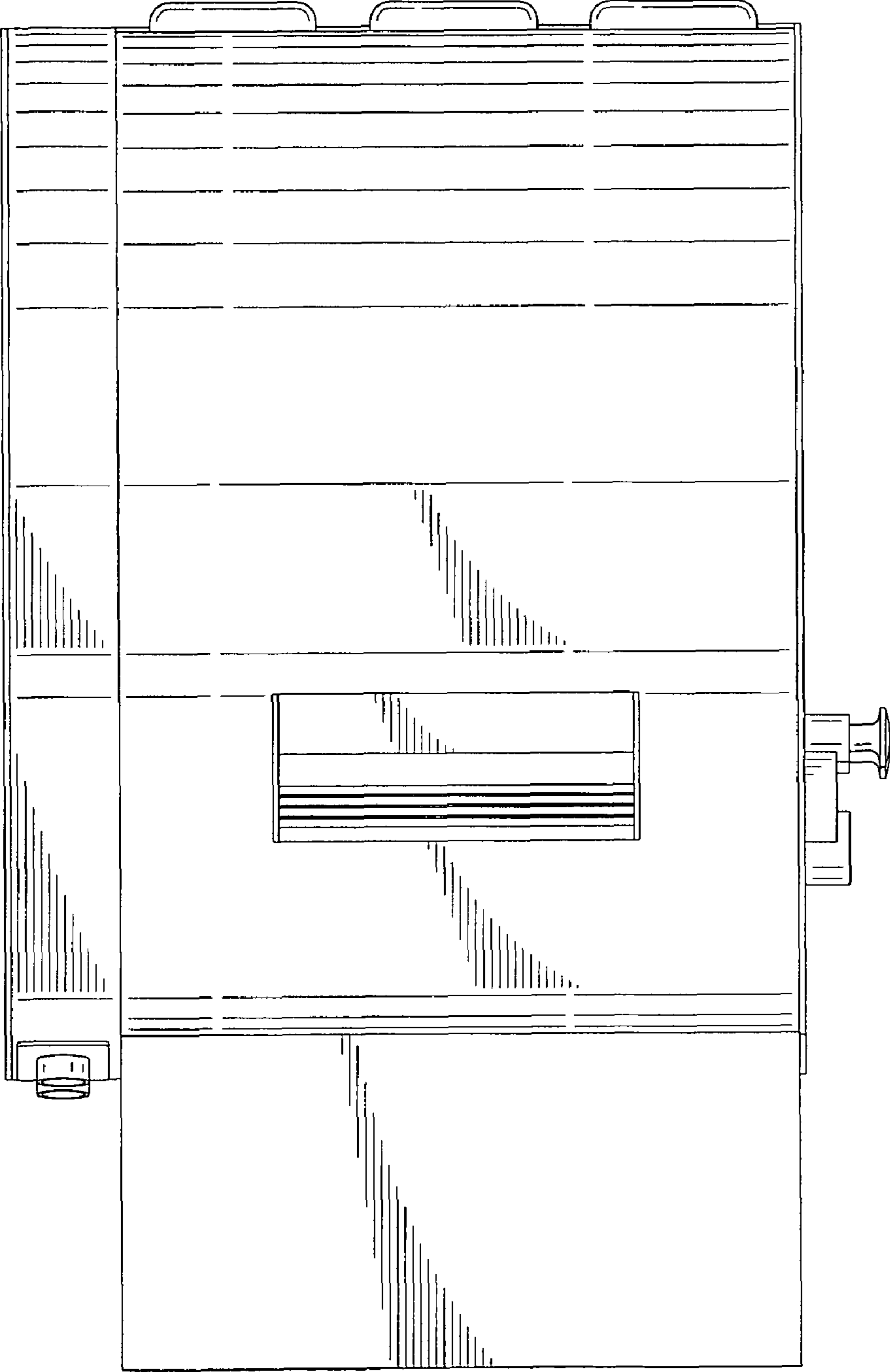


FIG. 7

