



US00D623466S

(12) **United States Design Patent**
Camerin et al.

(10) **Patent No.:** **US D623,466 S**

(45) **Date of Patent:** **** Sep. 14, 2010**

(54) **GRILL CART**

(75) Inventors: **Giuseppe Camerin**, San Vendemiano (IT); **Fabio Cattai**, San Vendemiano (IT); **Francesco Massimo**, San Vendemiano (IT)

(73) Assignee: **Levigmatic SRL**, San Vendemiano (IT)

(**) Term: **14 Years**

(21) Appl. No.: **29/335,924**

(22) Filed: **Apr. 24, 2009**

(51) **LOC (9) Cl.** **07-02**

(52) **U.S. Cl.** **D7/334**

(58) **Field of Classification Search** D7/332, D7/334-337, 402-404, 406-407; 126/37 R, 126/25 R, 41 R, 41 C, 41 D, 41 E, 9 R, 44, 126/50, 39 E, 91 A; 99/339, 340, 450, 444; 431/354

See application file for complete search history.

(56) **References Cited**

U.S. PATENT DOCUMENTS

D516,367 S *	3/2006	Lutz et al.	D7/335
D546,116 S *	7/2007	Tseng	D7/334
D549,511 S *	8/2007	Chung	D7/334
D549,512 S *	8/2007	Chung	D7/334
D549,514 S *	8/2007	Chung	D7/334
D560,415 S *	1/2008	Wood et al.	D7/334
D560,417 S *	1/2008	Ho et al.	D7/334

D571,142 S *	6/2008	Chung	D7/334
D571,604 S *	6/2008	Chung	D7/334
D571,605 S *	6/2008	Chung	D7/334
D581,199 S *	11/2008	Chau	D7/334
D584,562 S *	1/2009	Chau et al.	D7/334
D586,609 S *	2/2009	Chau	D7/334

* cited by examiner

Primary Examiner—Ruth McInroy

(74) *Attorney, Agent, or Firm*—Katten Muchin Rosenman LLP

(57) **CLAIM**

We claim the ornamental design for a grill cart, as shown and described.

DESCRIPTION

FIG. 1 is a front view of a grill cart, wherein the covers of the grill and side-unit are closed;

FIG. 2 is a front view thereof, wherein the covers of the grill and side-unit are open;

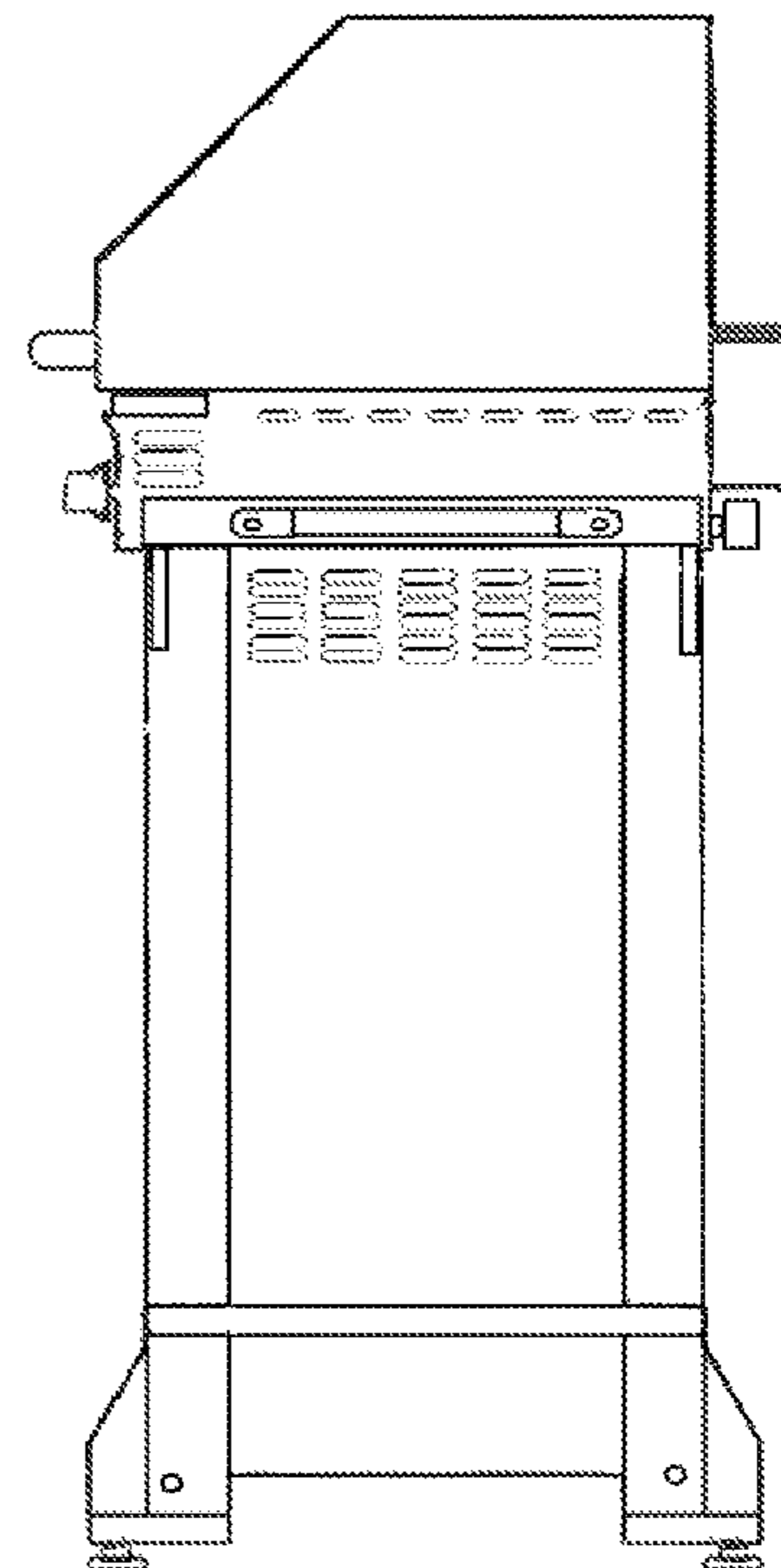
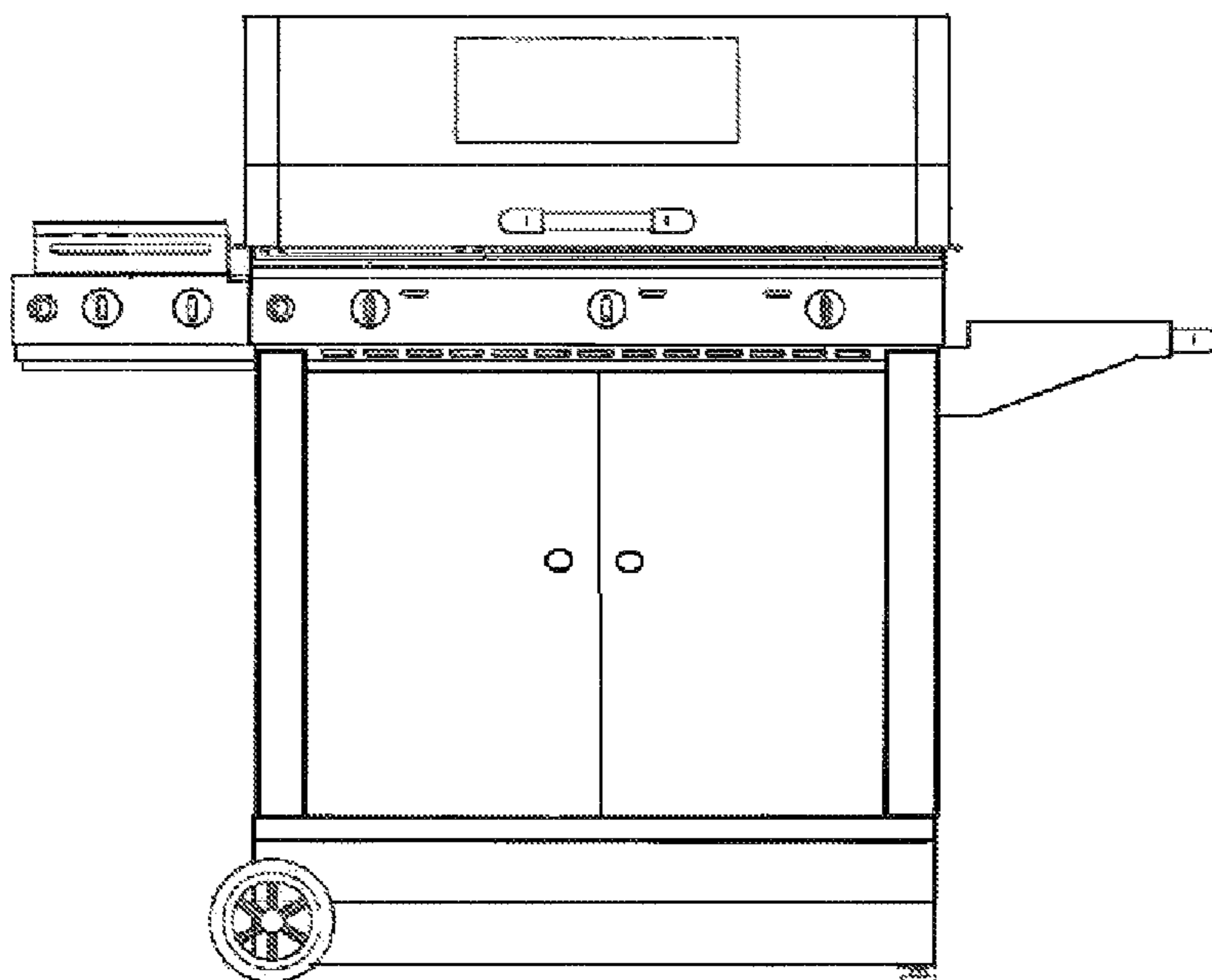
FIG. 3 is a rear view thereof, wherein the covers of the grill and side-unit are closed;

FIG. 4 is a left side view thereof, wherein the covers of the grill and side-unit are closed;

FIG. 5 is a right side view thereof, wherein the covers of the grill and side-unit are closed; and,

FIG. 6 is a top view thereof, wherein the covers of the grill and side-unit are closed.

1 Claim, 5 Drawing Sheets



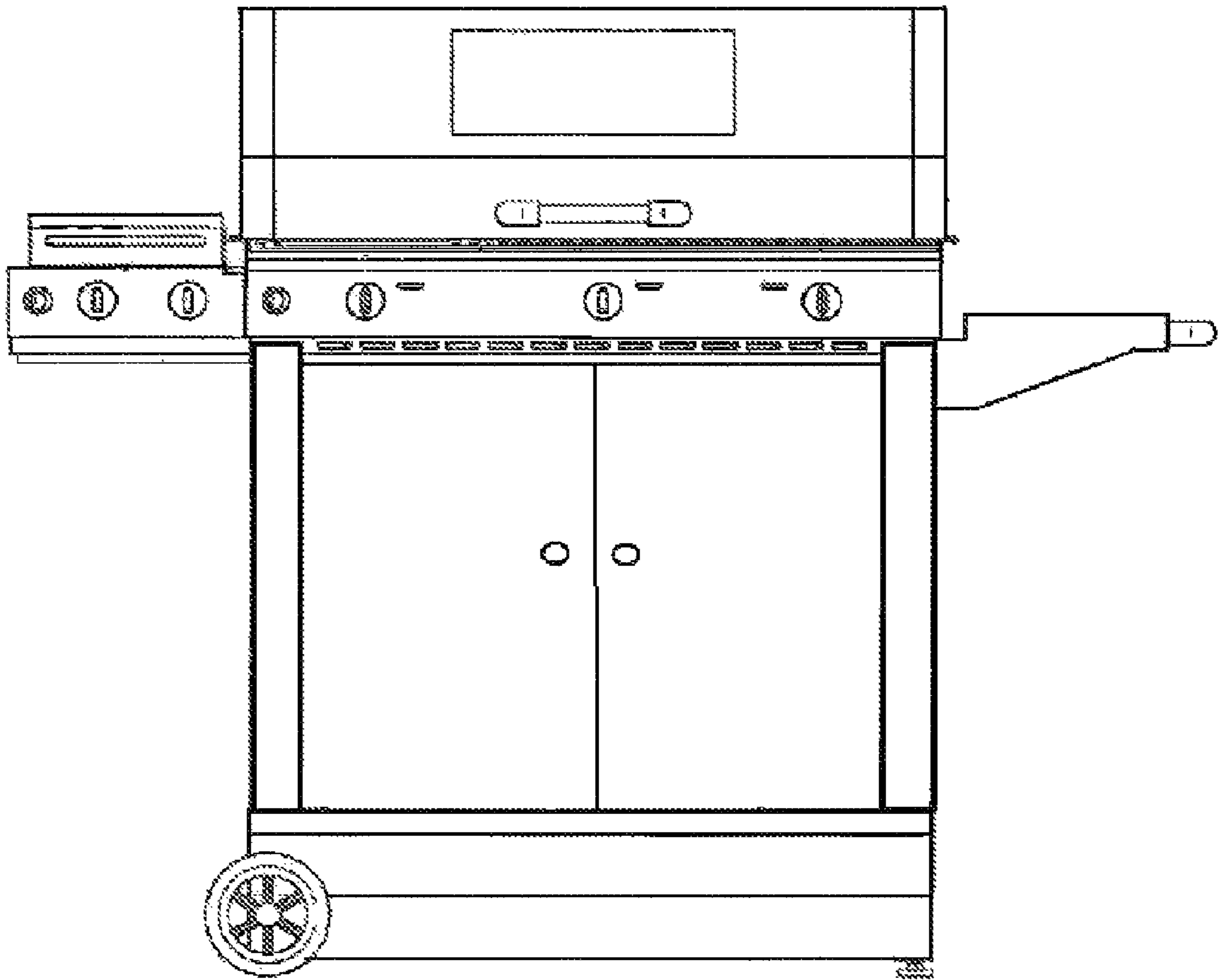


FIG. 1

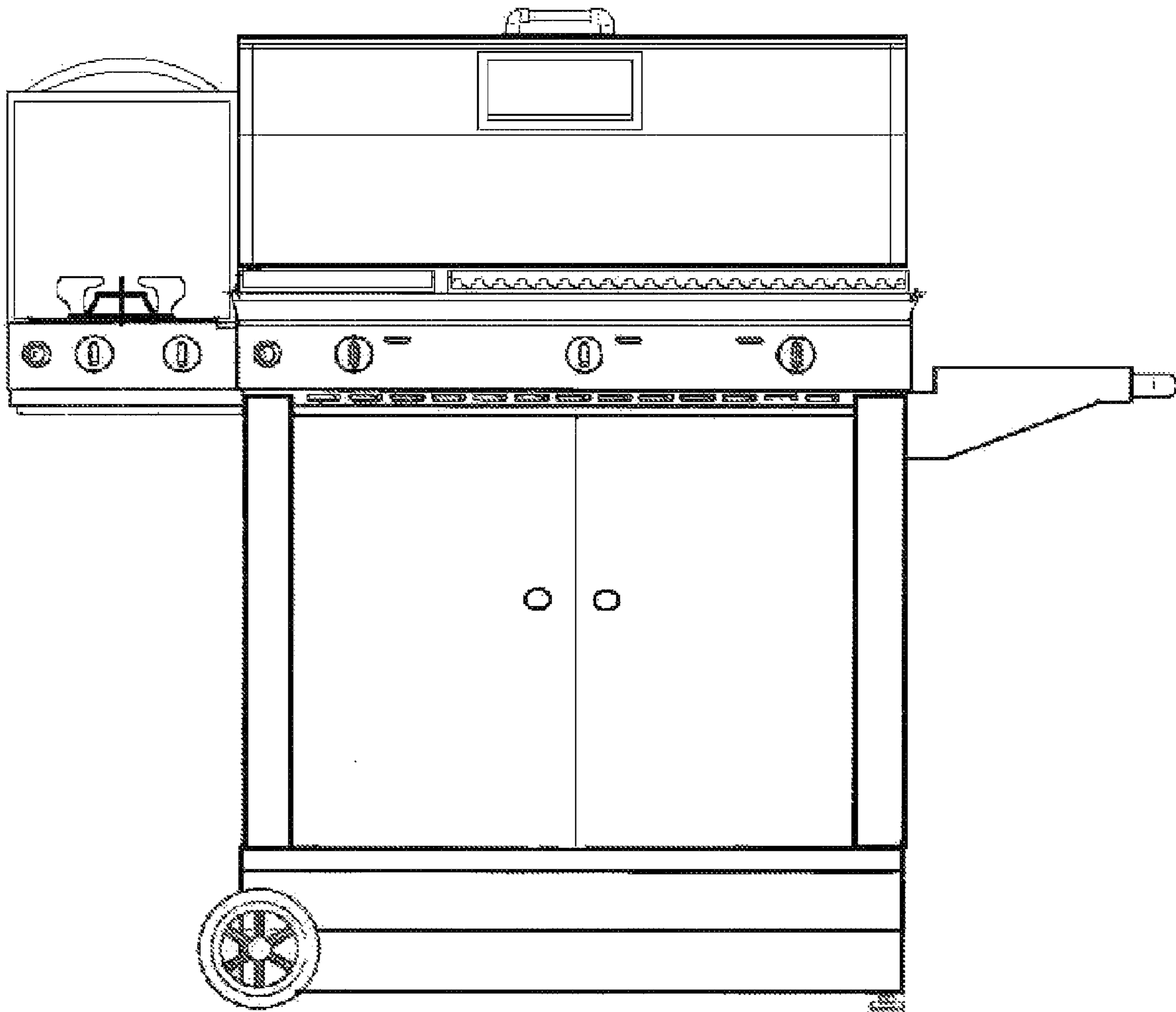


FIG. 2

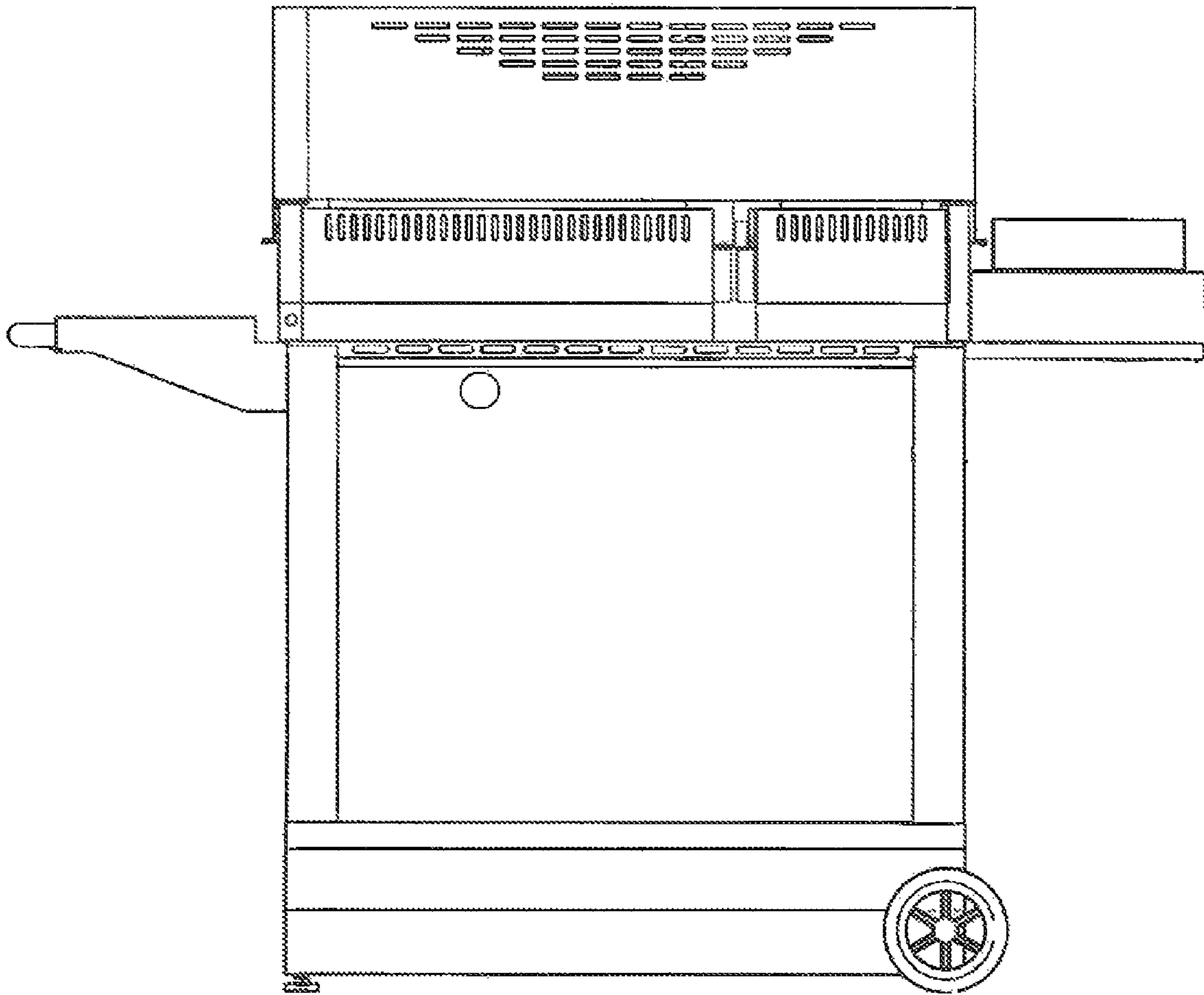


FIG. 3

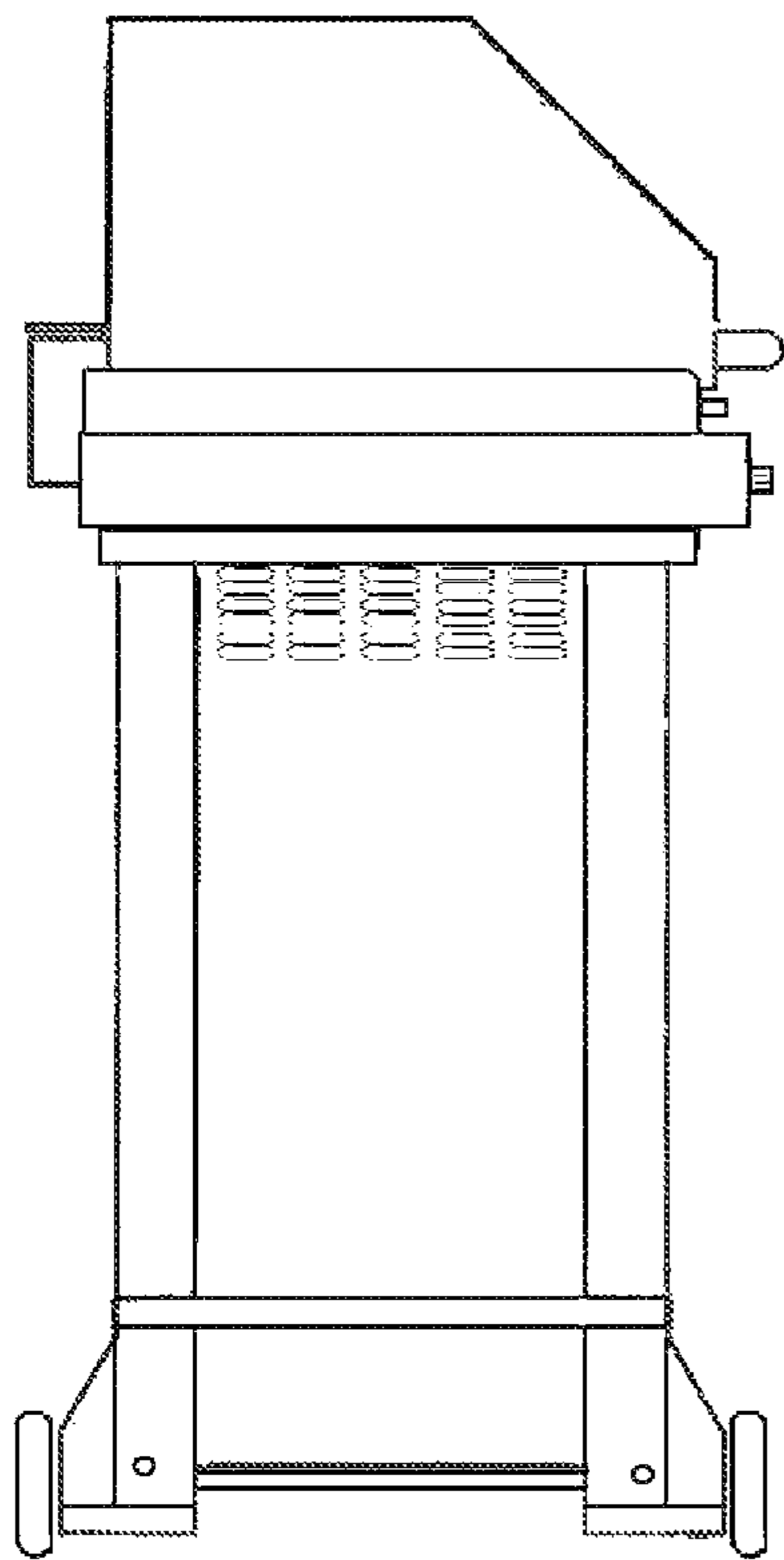


FIG. 4

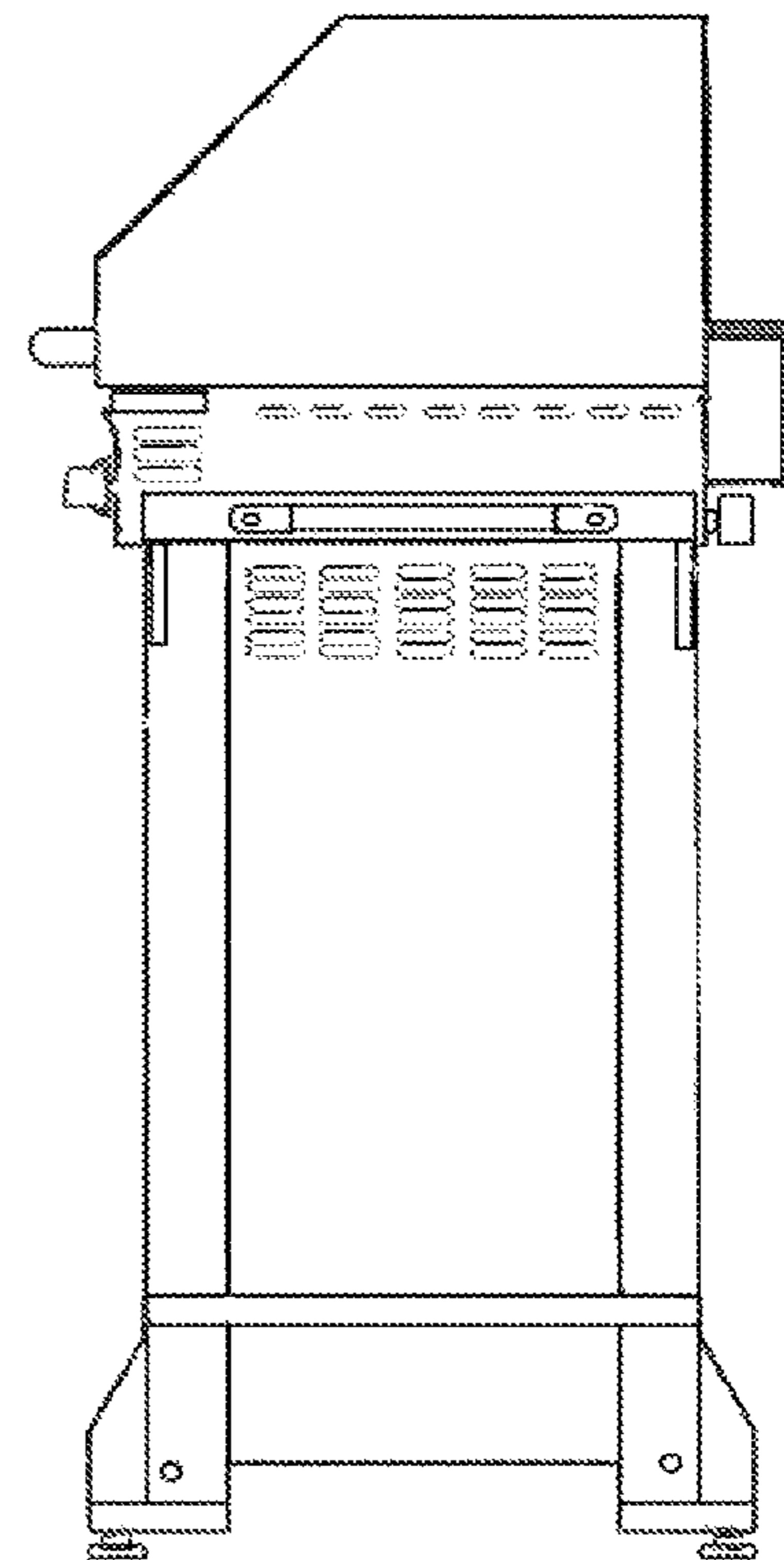


Fig. 5

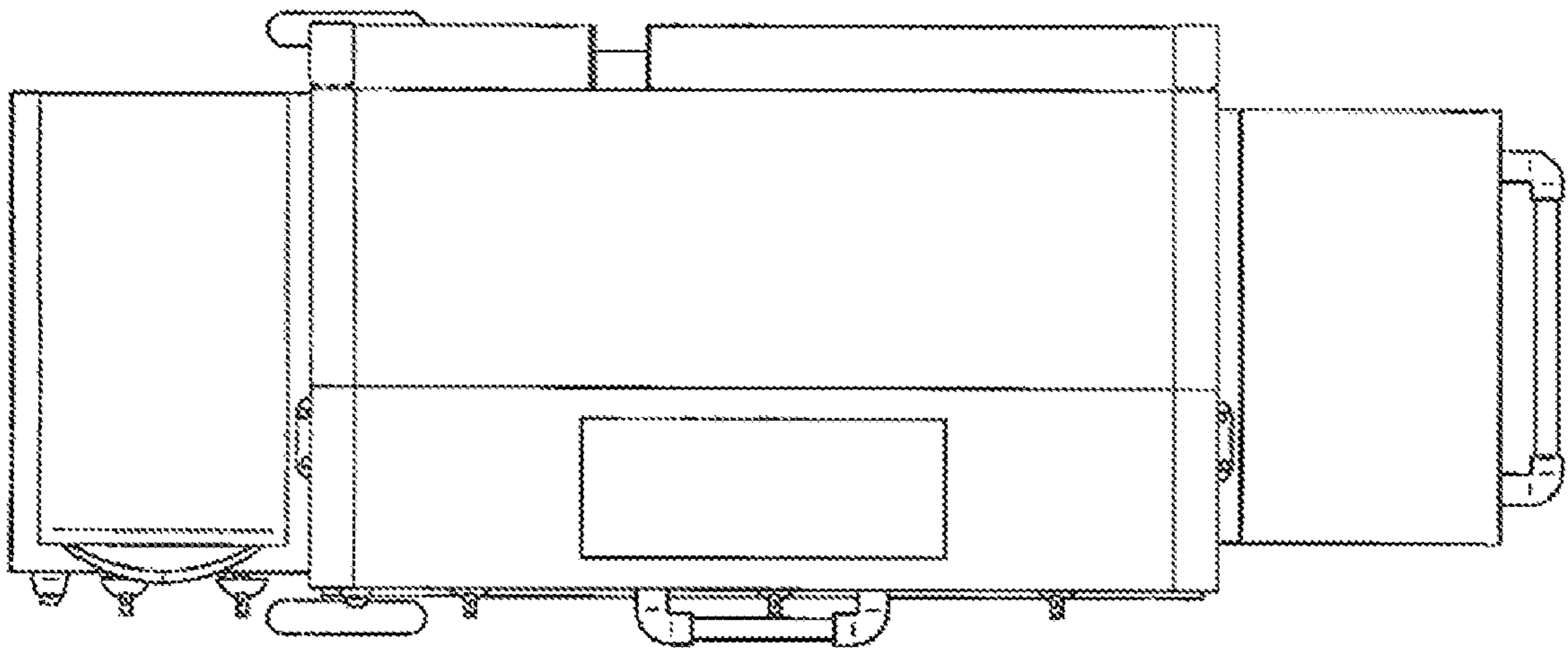


FIG. 6