



US00D623464S

(12) **United States Design Patent**  
**Kusch et al.**

(10) **Patent No.:** **US D623,464 S**

(45) **Date of Patent:** **\*\* \*Sep. 14, 2010**

(54) **PERSONAL DRAUGHT APPLIANCE**

4,264,019 A 4/1981 Roberts et al.

4,368,825 A 1/1983 Motill

(75) Inventors: **David Kusch**, St. Louis, MO (US);  
**Jeffrey D. Pierson**, St. Louis, MO (US);  
**Bryce Rutter**, St. Louis, MO (US);  
**Jonathan Sundy**, St. Louis, MO (US);  
**Michael Zavarella**, Eureka, MO (US)

D286,097 S \* 10/1986 Imanishi et al. .... D34/39

4,892,230 A 1/1990 Lynn, Jr.

4,921,135 A 5/1990 Pleet

4,955,512 A 9/1990 Sharples

4,984,713 A 1/1991 Chambers et al.

(73) Assignee: **Anheuser-Busch, Inc.**, St. Louis, MO (US)

(Continued)

(\*\*) Term: **14 Years**

*Primary Examiner*—Marianne Pandozzi

(21) Appl. No.: **29/346,391**

(74) *Attorney, Agent, or Firm*—Paul V. Storm, Esq.; Mark D. Perdue, Esq.; Storm LLP

(22) Filed: **Oct. 30, 2009**

(51) **LOC (9) Cl.** ..... **07-01**

(52) **U.S. Cl.** ..... **D7/313; D7/397**

(58) **Field of Classification Search** ..... D7/398,  
D7/397, 395, 393, 313, 306, 307, 308, 301;  
D8/107; D34/39; D23/202; 222/113, 469,  
222/185.1, 183; 40/473; D9/633; 62/338;  
206/509; 220/DIG. 1; 215/12.1

See application file for complete search history.

(57) **CLAIM**

The ornamental design for a personal draught appliance, as shown and described.

**DESCRIPTION**

(56) **References Cited**

**U.S. PATENT DOCUMENTS**

D87,741 S *	9/1932	Dym	.....	D7/301
D205,211 S	7/1966	de Boer et al.		
D205,750 S *	9/1966	Cornelius	.....	D7/311
3,294,289 A	12/1966	Bayne et al.		
3,315,491 A *	4/1967	Zant	.....	62/338
3,315,846 A	4/1967	Landis et al.		
D210,188 S	2/1968	Burns		
3,373,907 A	3/1968	Batrow		
3,598,270 A	8/1971	Adomaitis et al.		
3,696,969 A	10/1972	De Van et al.		
3,727,783 A	4/1973	Carmichael		
3,759,410 A	9/1973	Uhlig		
D228,976 S *	10/1973	Wilson	.....	D7/311
D229,545 S	12/1973	Uhlig		
3,977,569 A	8/1976	Scholle		
D244,850 S *	6/1977	Wilson	.....	D7/311
4,032,047 A *	6/1977	Wilson	.....	222/183

FIG. 1 is an isometric view of the personal draught appliance. FIG. 2 is a top view of the personal draught appliance of FIG. 1.

FIG. 3 is a left side view of the personal draught appliance of FIG. 1.

FIG. 4 is a rear view of the personal draught appliance of FIG. 1.

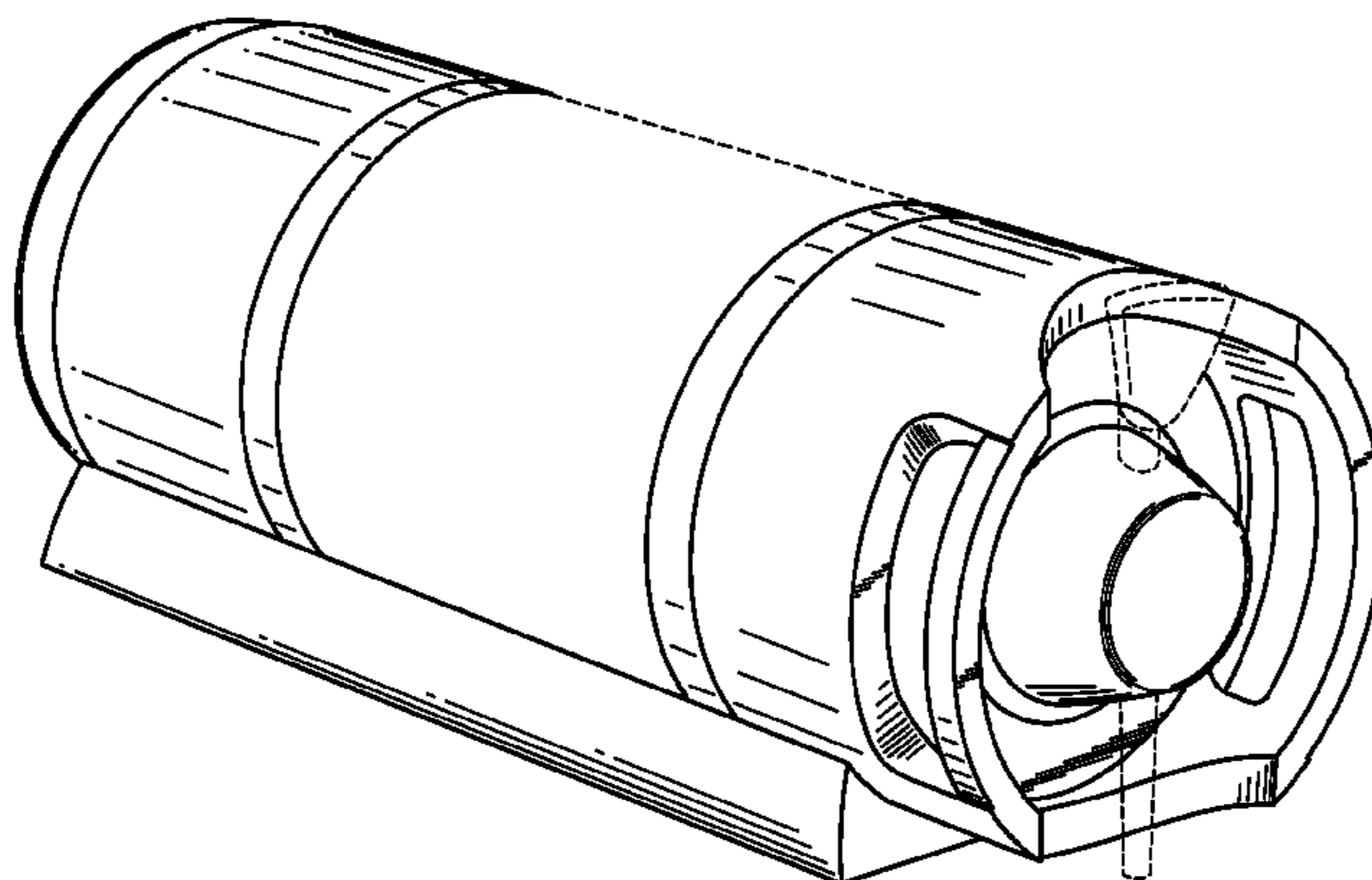
FIG. 5 is a bottom view of the personal draught appliance of FIG. 1.

FIG. 6 is a right side view of the personal draught appliance of FIG. 1; and,

FIG. 7 is a front view of the personal draught appliance of FIG. 1.

The broken lines showing portions of the home draught appliance are included for the purpose of illustrating environmental structure and form no part of the claimed design.

**1 Claim, 3 Drawing Sheets**



# US D623,464 S

Page 2

---

## U.S. PATENT DOCUMENTS

D352,417 S *	11/1994	Petroske et al. ....	D7/301	D470,415 S	2/2003	Weber	
5,529,196 A	6/1996	Lane		D497,283 S *	10/2004	Groombridge .....	D7/397
D374,959 S *	10/1996	Mull .....	D34/39	D524,587 S	7/2006	Patel et al.	
D393,522 S *	4/1998	Pettis et al. ....	D34/39	D558,950 S *	1/2008	Brans .....	D34/39
D425,426 S	5/2000	Weber		D568,168 S	5/2008	Boukobza	
6,085,924 A	7/2000	Henderson		D574,574 S *	8/2008	Bax .....	D34/39
D459,139 S *	6/2002	Vlooswijk et al. ....	D7/313	2006/0118574 A1	6/2006	Anderson et al.	

\* cited by examiner

Fig. 1

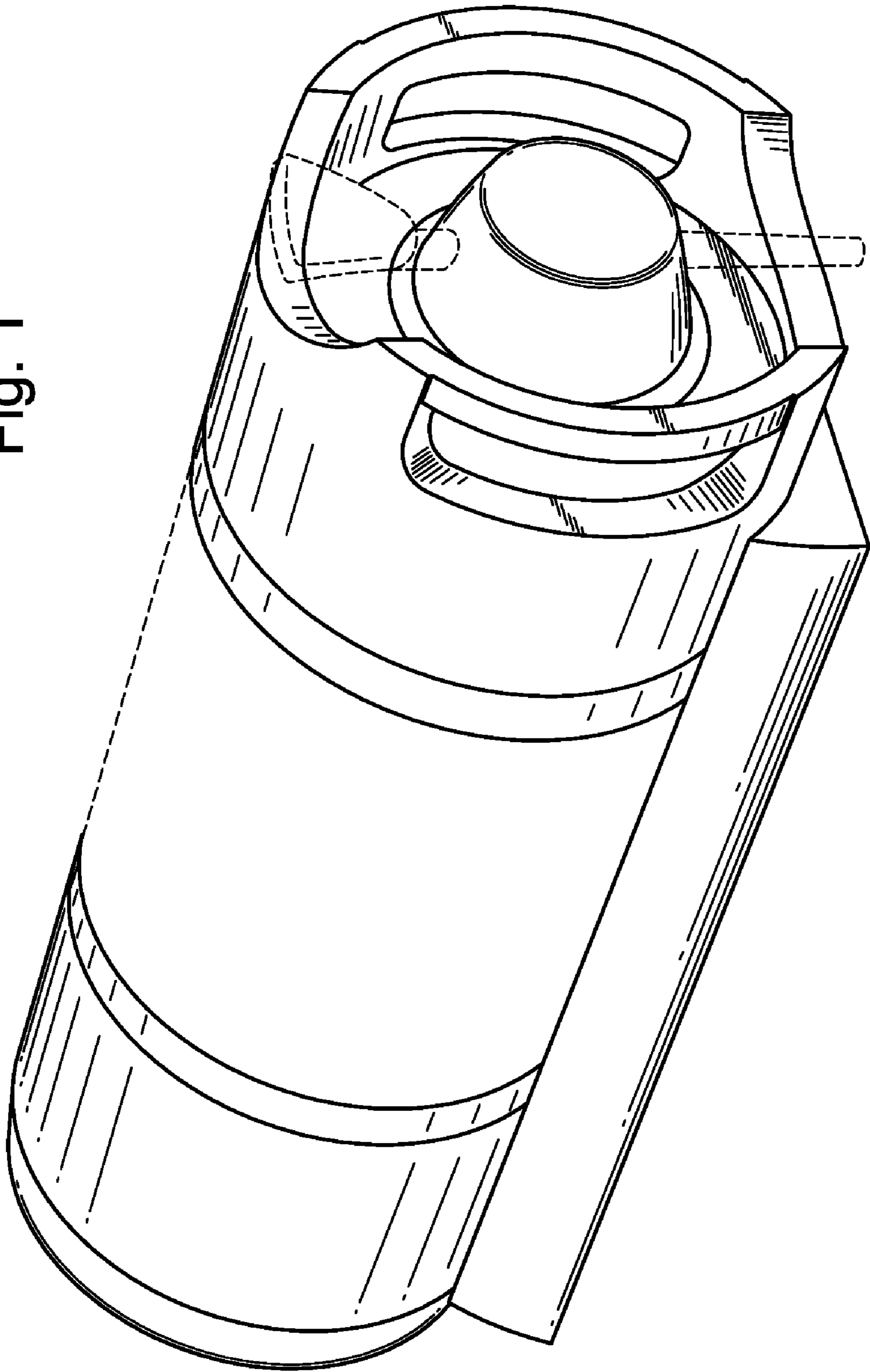


Fig. 2

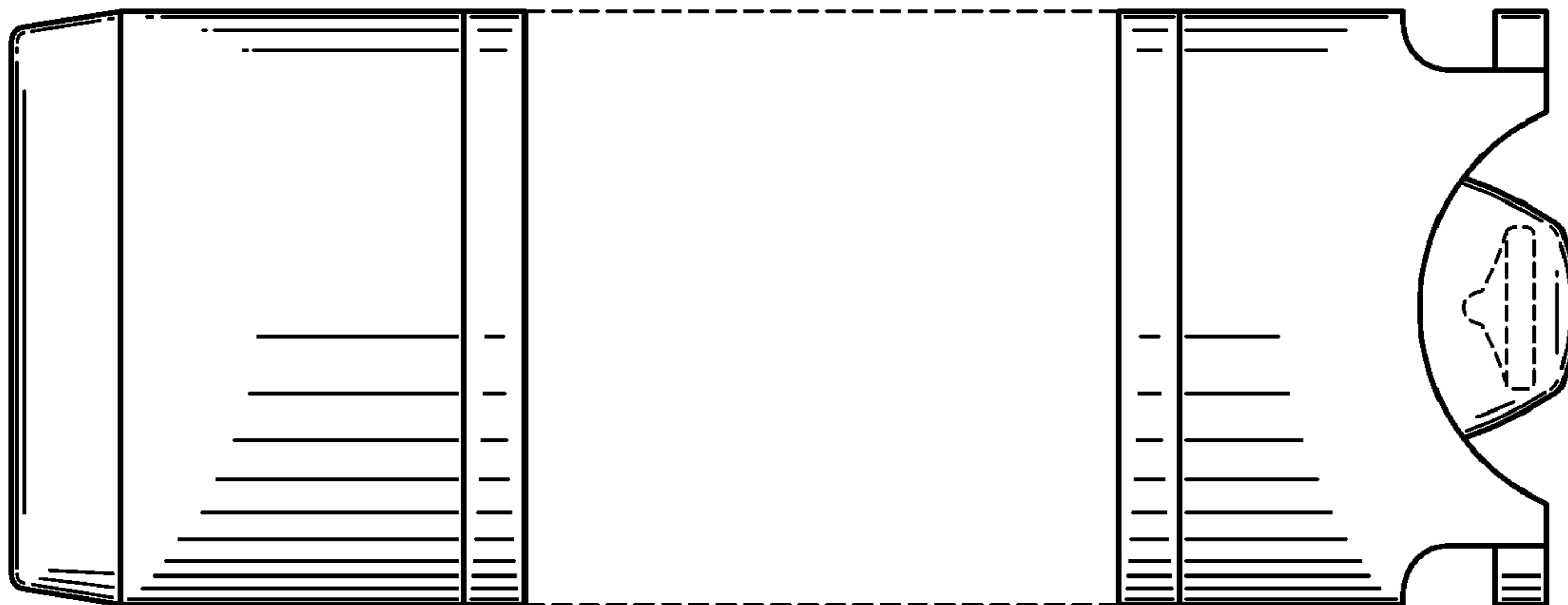


Fig. 3

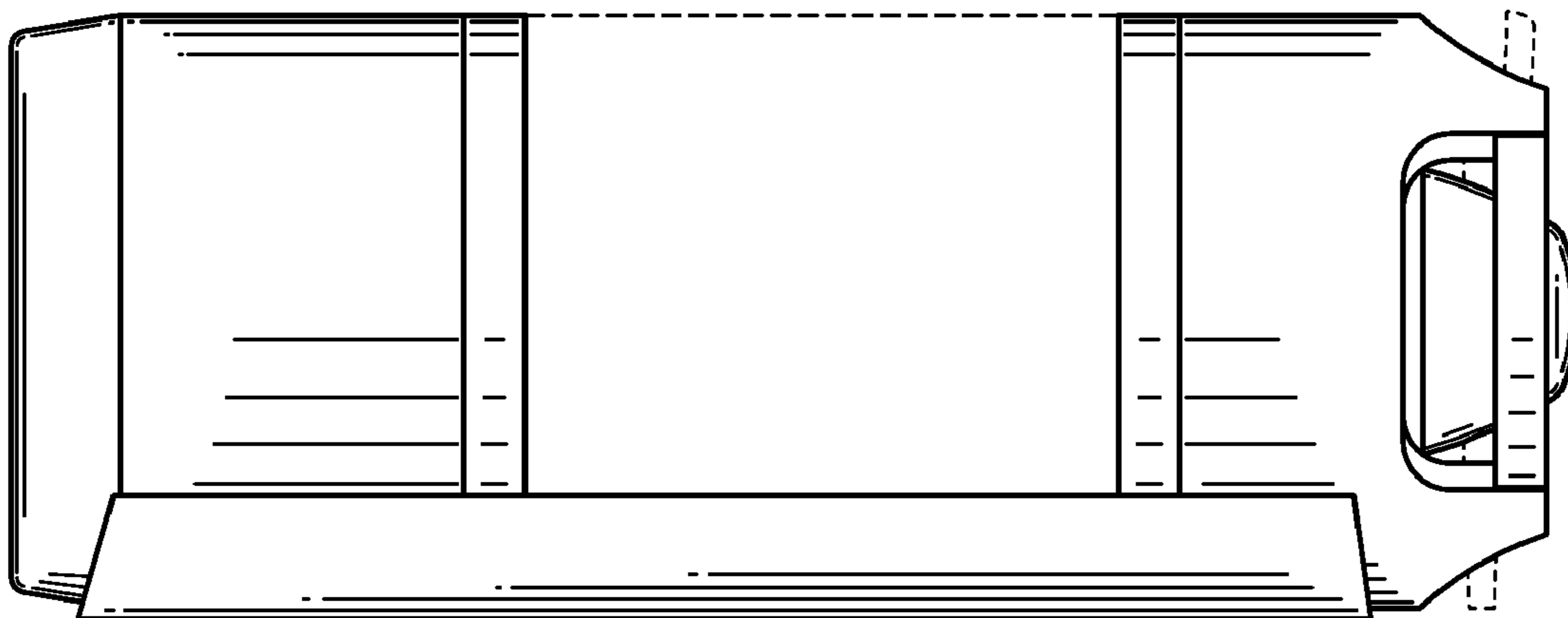


Fig. 4

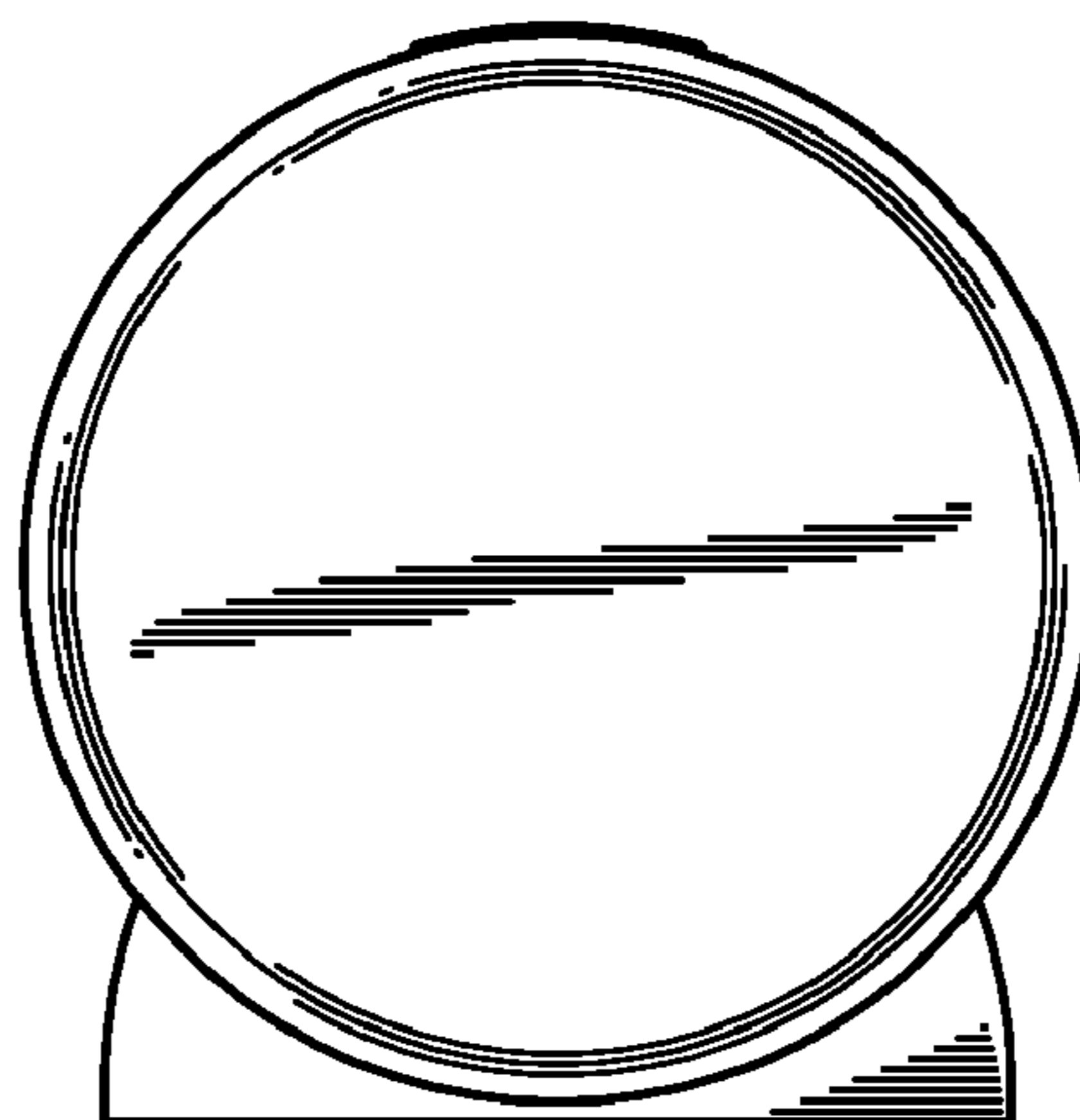


Fig. 5

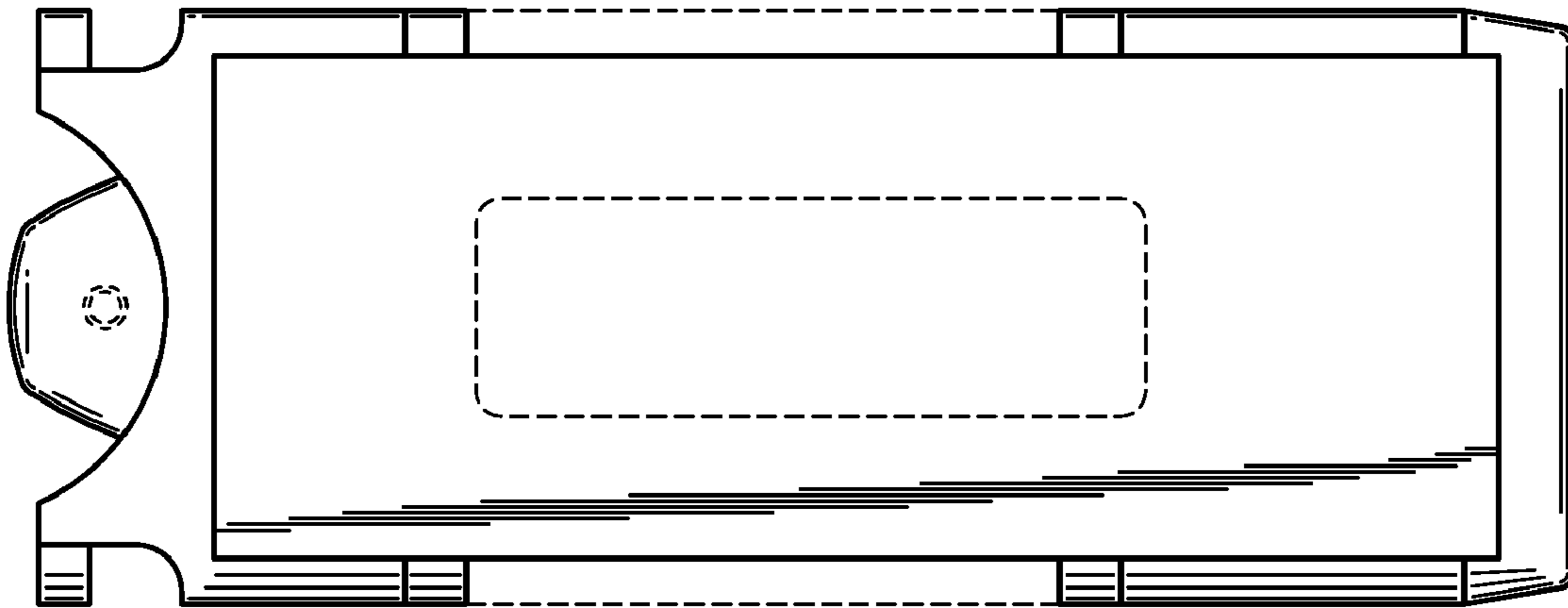


Fig. 6

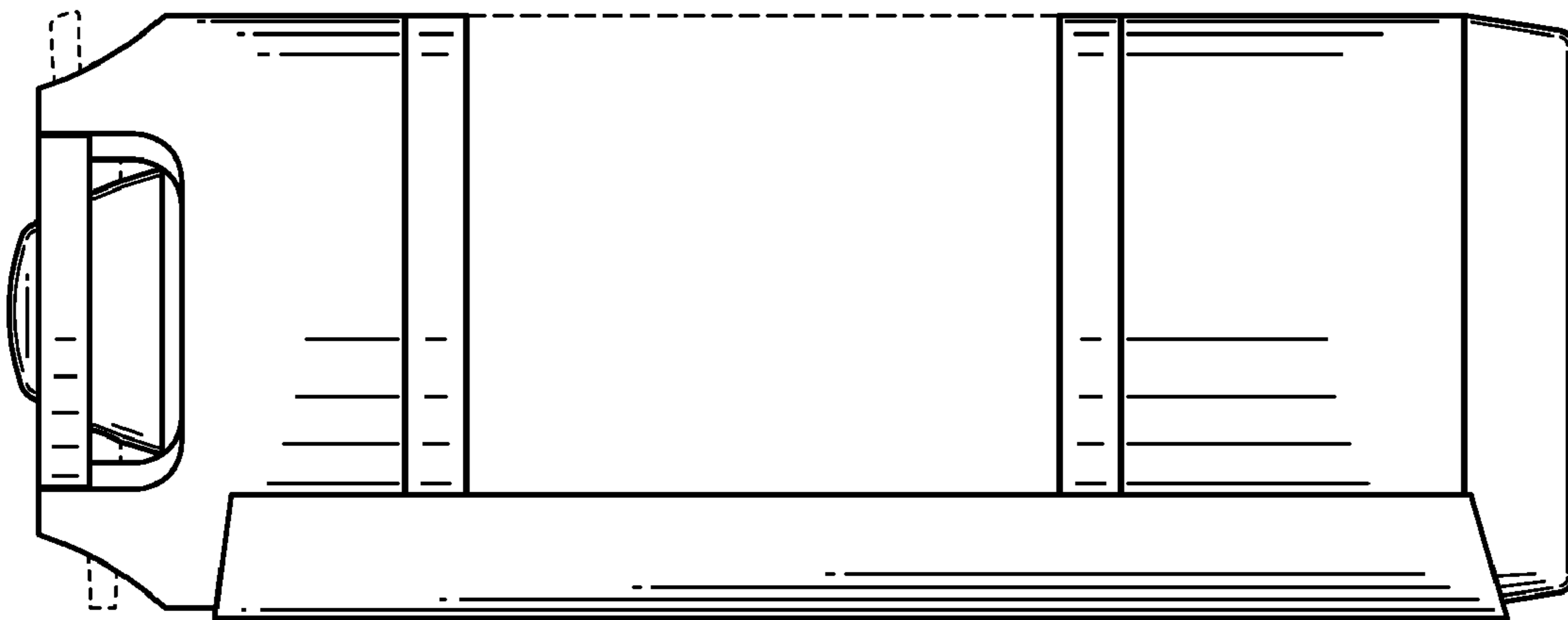


Fig. 7

