



US00D623461S

(12) **United States Design Patent**
Ashbridge

(10) **Patent No.:** **US D623,461 S**

(45) **Date of Patent:** **** Sep. 14, 2010**

(54) **BEVERAGE DISPENSER**

(75) Inventor: **Jonathan Ashbridge**, Leicester (GB)

(73) Assignee: **Societe des Produits Nestle S.A.**, Vevey (CH)

(**) Term: **14 Years**

(21) Appl. No.: **29/354,315**

(22) Filed: **Jan. 22, 2010**

(30) **Foreign Application Priority Data**

Sep. 2, 2009 (CH) 136326

(51) **LOC (9) Cl.** **07-01**

(52) **U.S. Cl.** **D7/306; D7/311**

(58) **Field of Classification Search** D7/300,
D7/306-308, 309-311; 222/185.1, 146.6,
222/146.1; D20/4

See application file for complete search history.

(56) **References Cited**

U.S. PATENT DOCUMENTS

- D274,779 S * 7/1984 LaLumiere D7/311
- D390,058 S * 2/1998 Landers D7/307
- D404,242 S * 1/1999 Schroeder D7/307
- D451,748 S * 12/2001 Holderfield D7/307
- D454,464 S * 3/2002 Mogler et al. D7/307
- D571,598 S * 6/2008 Moore D7/306

- D581,716 S * 12/2008 Harris, III D7/307
- D592,440 S * 5/2009 Simonds D7/306
- D595,991 S * 7/2009 Zimmerman D7/307
- D597,366 S * 8/2009 Drake et al. D7/306
- D601,848 S * 10/2009 Borin D7/309
- D602,727 S * 10/2009 Nicolini D7/307
- D608,131 S * 1/2010 Meldrum et al. D7/307

* cited by examiner

Primary Examiner—Marianne Pandozzi

(74) *Attorney, Agent, or Firm*—K&L Gates LLP

(57) **CLAIM**

The ornamental design for a beverage dispenser, as shown and described.

DESCRIPTION

FIG. 1 illustrates a right front perspective view of a beverage dispenser showing my new design;

FIG. 2 illustrates a front elevation view thereof;

FIG. 3 illustrates a rear elevation view thereof;

FIG. 4 illustrates a right side elevation view thereof;

FIG. 5 illustrates a left side elevation view thereof;

FIG. 6 illustrates a top view thereof; and,

FIG. 7 illustrates a bottom view thereof.

The broken lines in the drawings are included for the purpose of illustration and form no part of the claimed design.

1 Claim, 7 Drawing Sheets

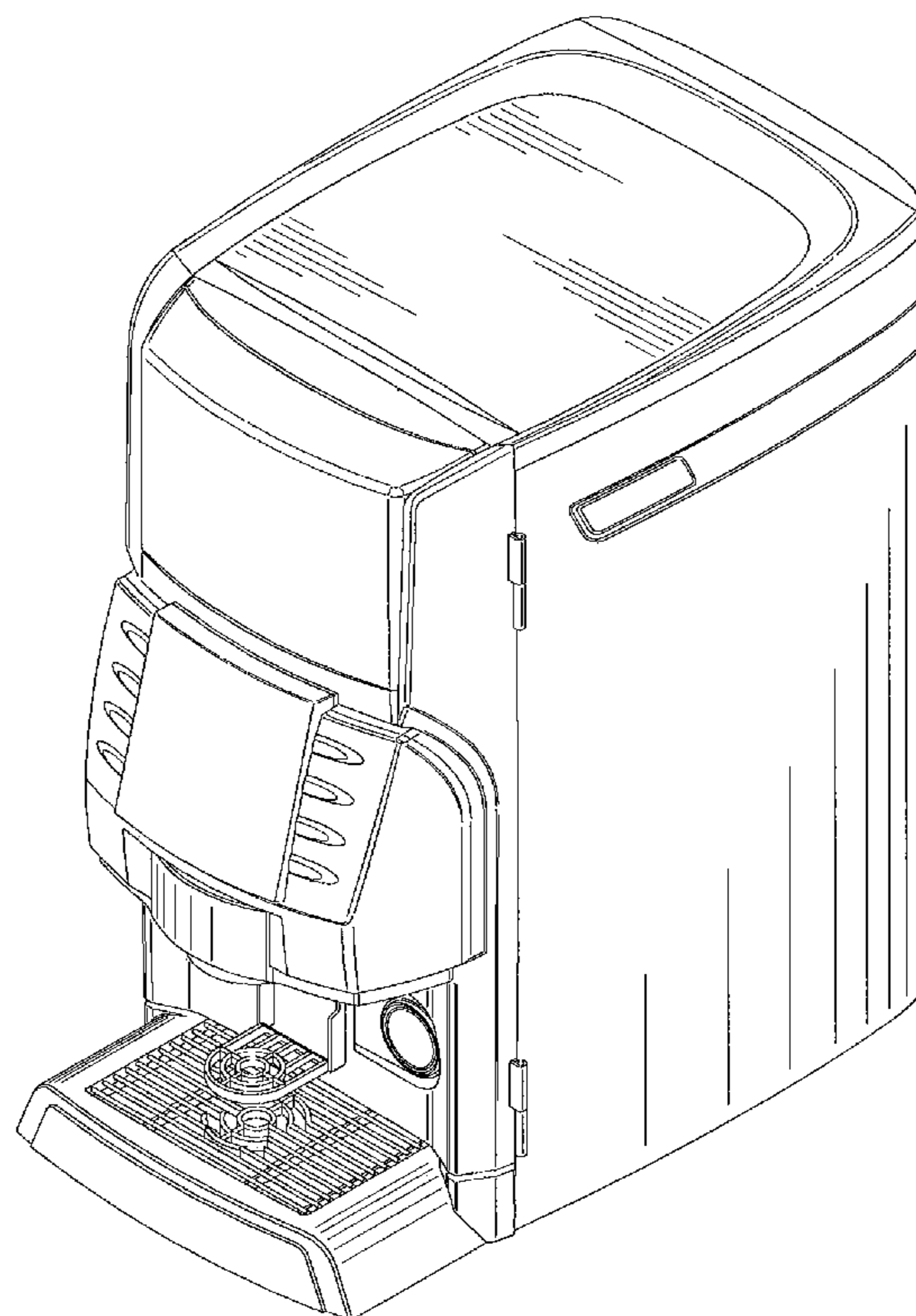


FIG. 1

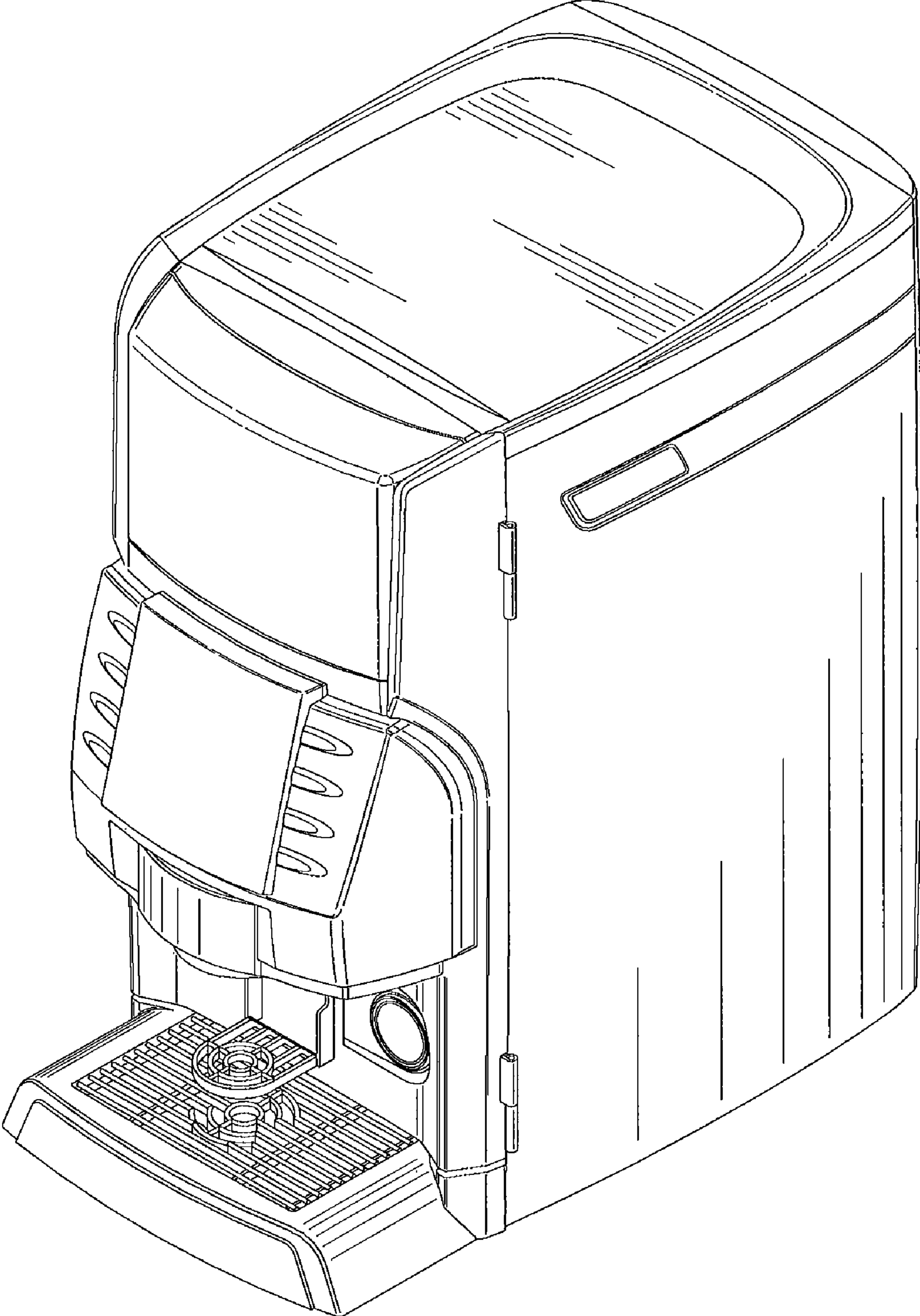


FIG. 2

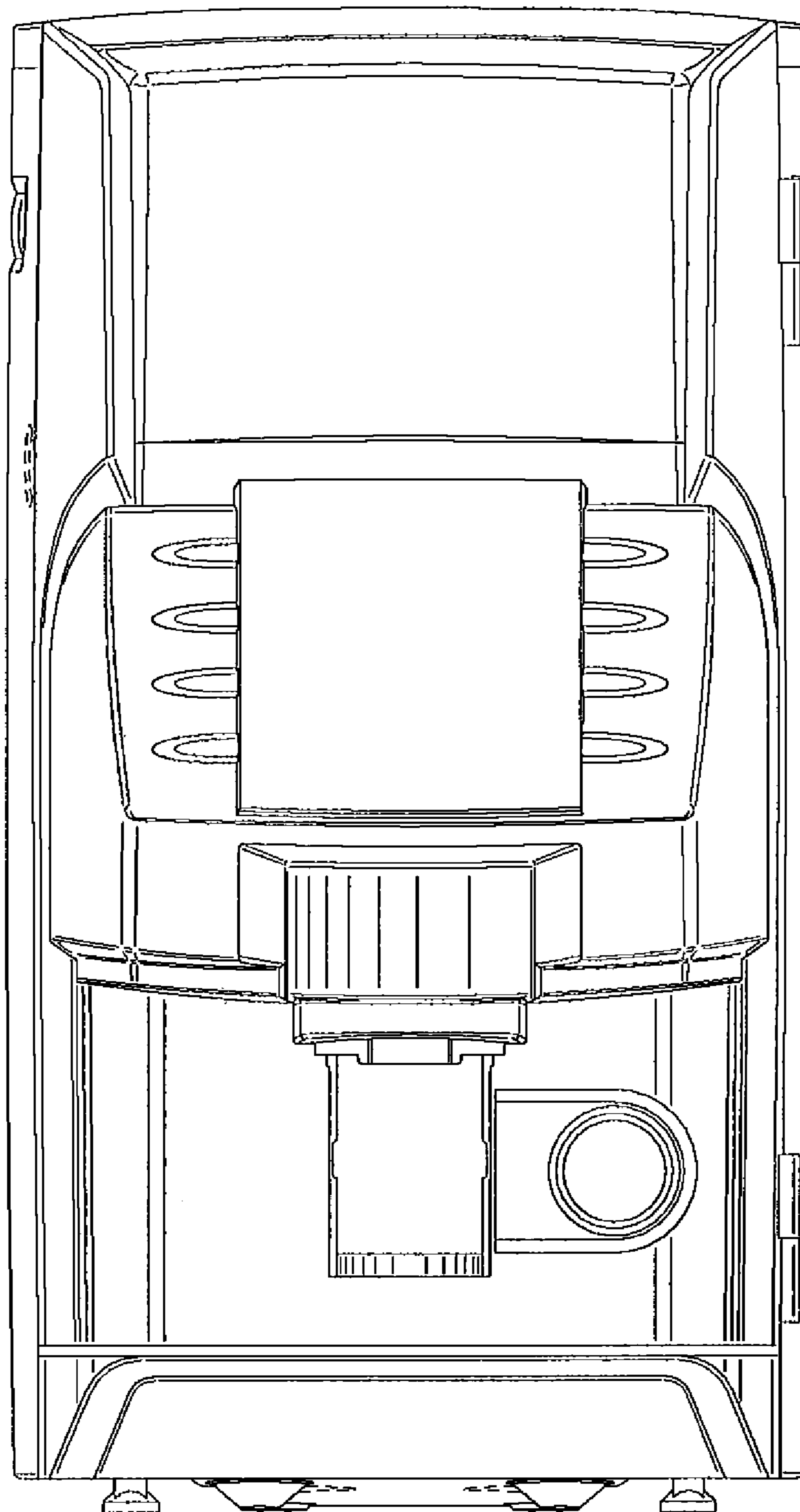


FIG. 3

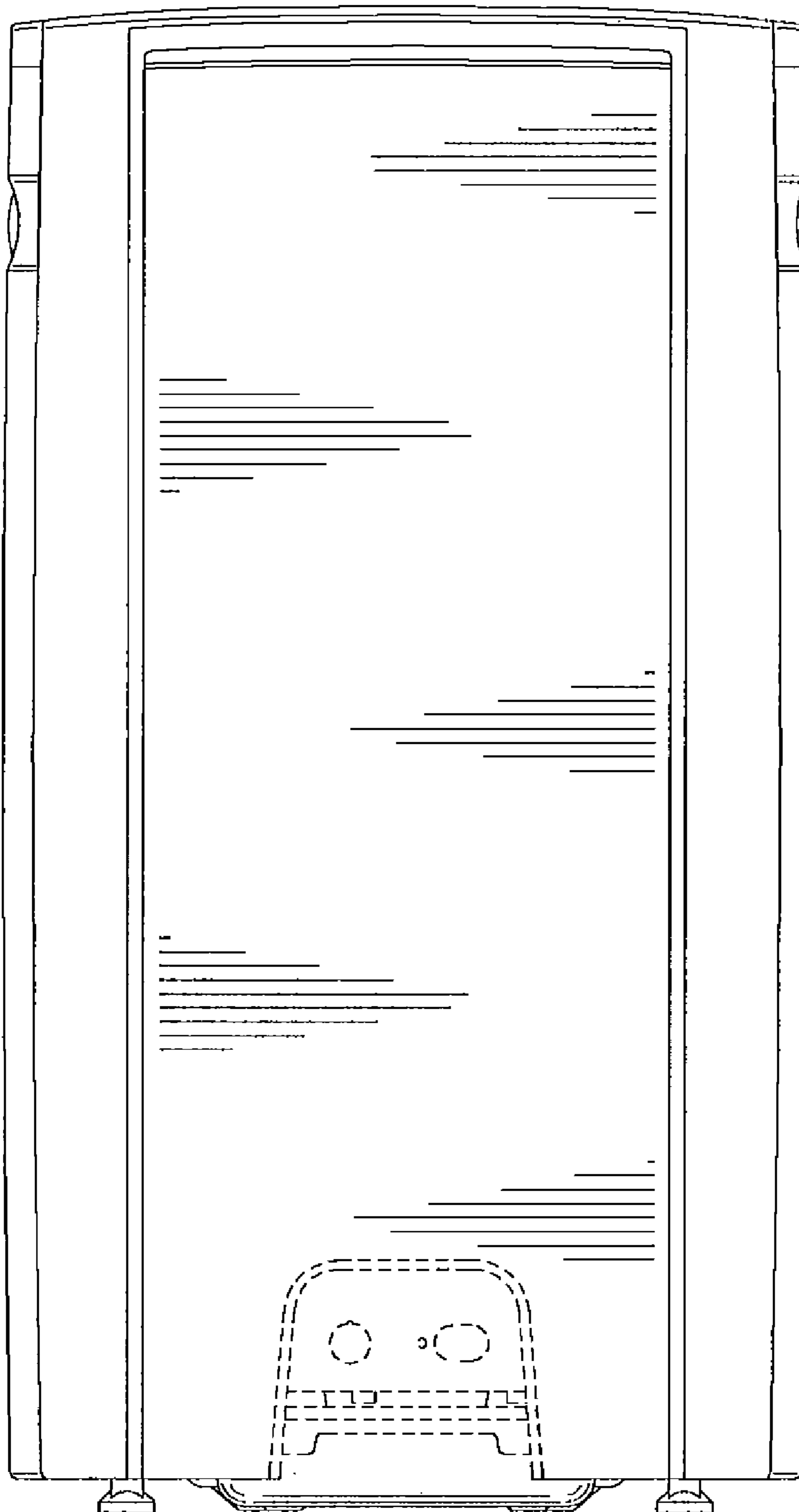


FIG. 4

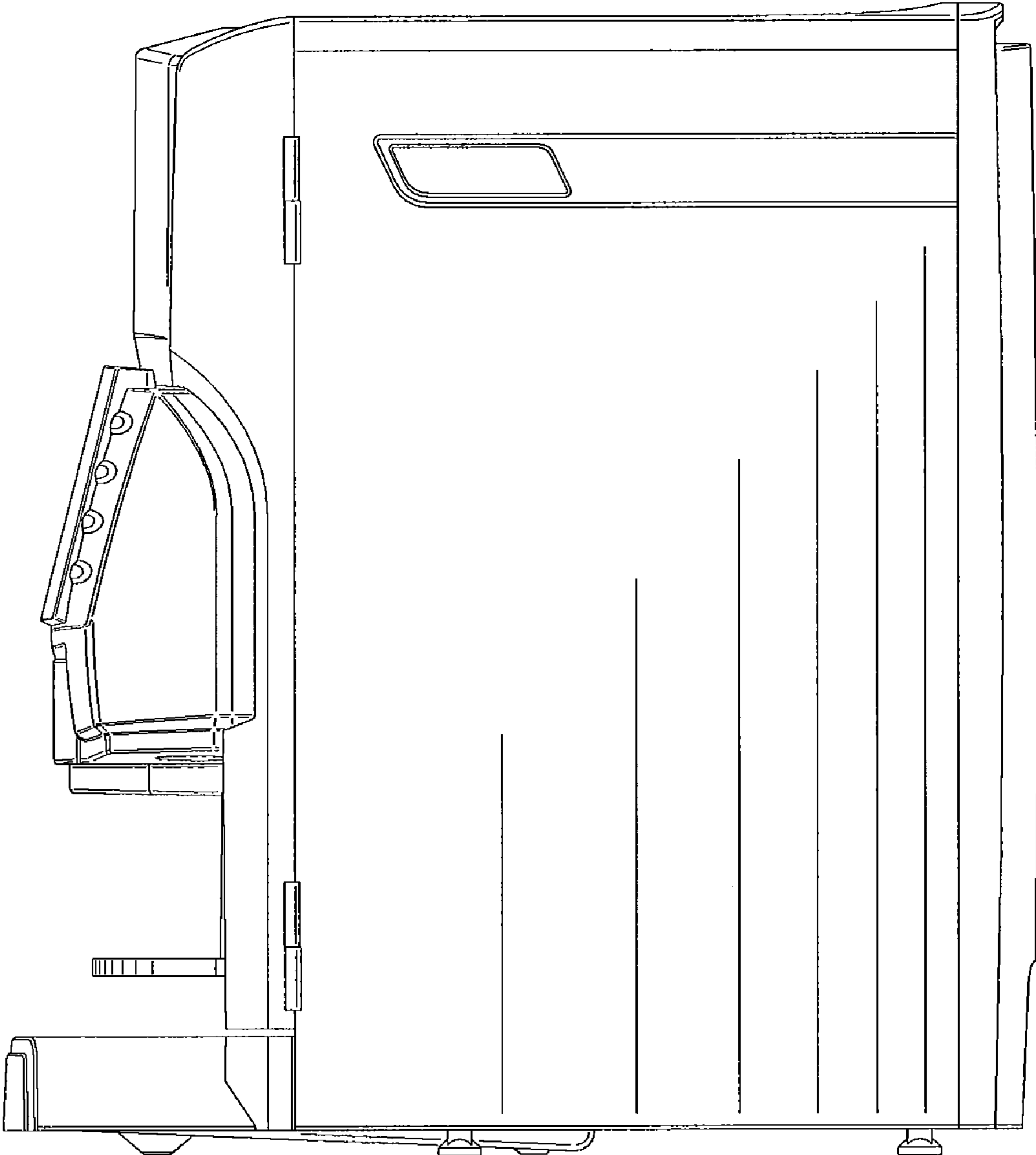


FIG. 5

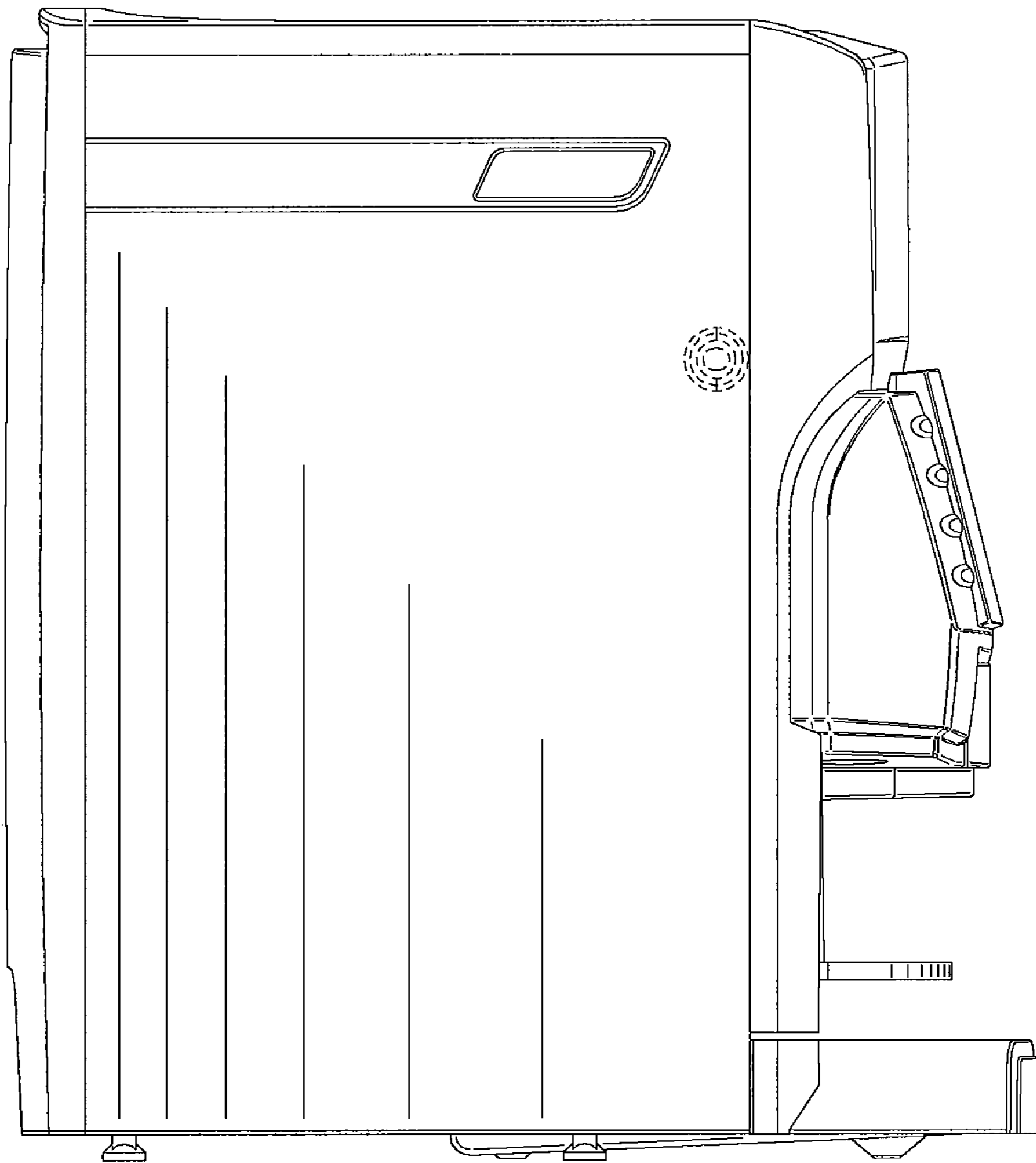


FIG. 6

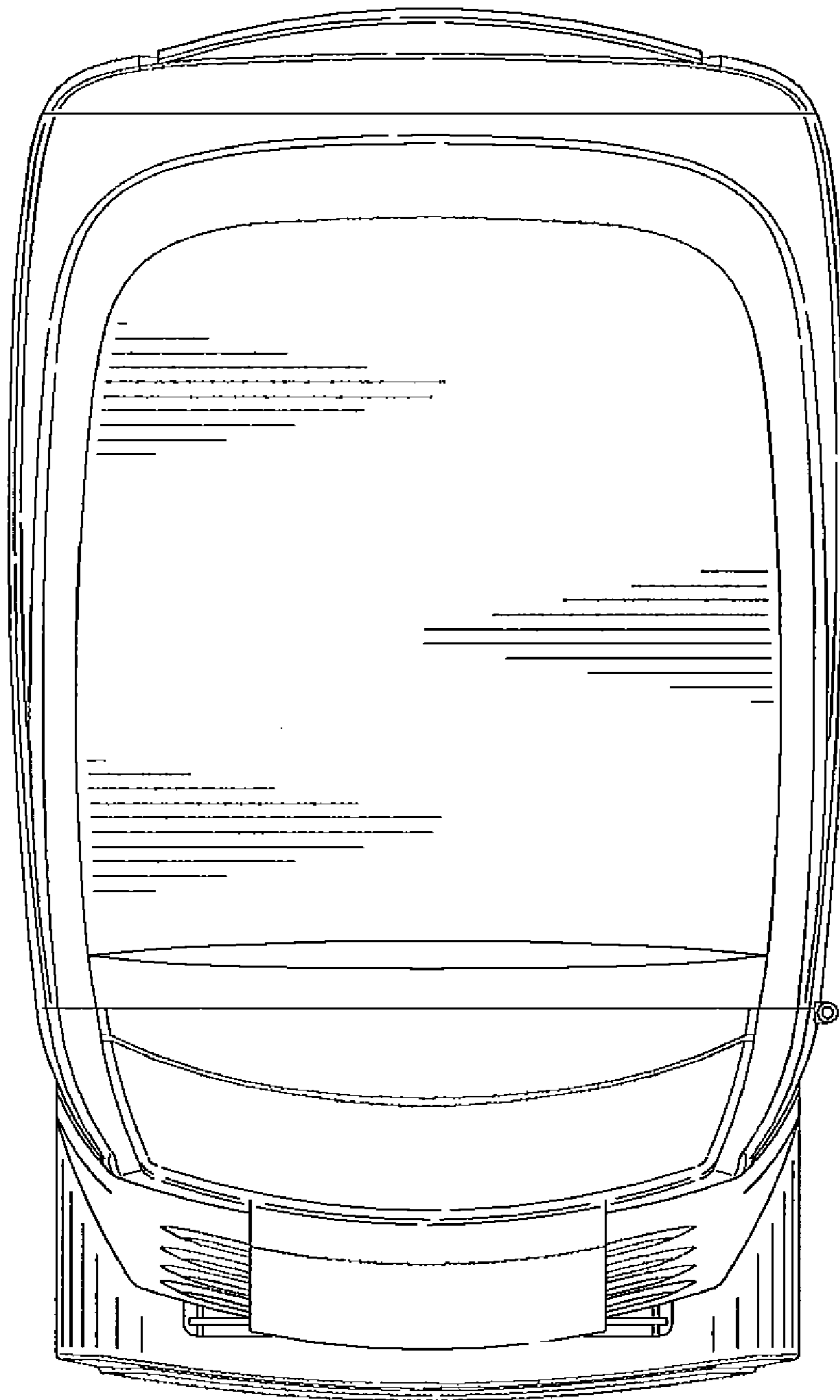


FIG. 7

