



US00D623460S

(12) **United States Design Patent**
Krasner

(10) **Patent No.:** **US D623,460 S**

(45) **Date of Patent:** **** Sep. 14, 2010**

(54) **PET WATER BOTTLE**

(76) **Inventor:** **Mark Krasner**, 1951 Allgood Rd.,
Marietta, GA (US) 30062

(**) **Term:** **14 Years**

(21) **Appl. No.:** **29/352,144**

(22) **Filed:** **Dec. 17, 2009**

(51) **LOC (9) Cl.** **07-01**

(52) **U.S. Cl.** **D7/300.1; D7/510; D7/511;**
D7/523; D30/132

(58) **Field of Classification Search** **D7/300.1,**
D7/510, 511, 523; D30/132; D9/505, 503,
D9/520; 119/72; 220/703, 592.16, 592.17,
220/705, 713; 215/395

See application file for complete search history.

(56) **References Cited**

U.S. PATENT DOCUMENTS

| | | | | | |
|-----------|------|---------|-----------------|-------|----------|
| 1,568,691 | A * | 1/1926 | Pierson | | 99/508 |
| 1,748,483 | A * | 2/1930 | Hyde | | 99/508 |
| 1,765,129 | A * | 6/1930 | Cooke | | 220/568 |
| 2,013,615 | A * | 9/1935 | Fontan | | 220/568 |
| 2,090,998 | A * | 8/1937 | Gessler | | 40/324 |
| D210,004 | S * | 1/1968 | Pettengill | | D9/556 |
| D294,750 | S * | 3/1988 | Atchley | | D30/132 |
| D406,062 | S * | 2/1999 | Brewer | | D9/520 |
| 6,293,226 | B1 * | 9/2001 | Hwang | | 119/72 |
| D483,982 | S * | 12/2003 | Irvine | | D7/300.1 |
| D489,627 | S * | 5/2004 | Klitsner et al. | | D9/502 |
| 6,913,165 | B2 * | 7/2005 | Linz et al. | | 220/568 |

| | | | | | |
|-----------|------|--------|---------|-------|--------|
| D515,424 | S * | 2/2006 | Lora | | D9/503 |
| D611,819 | S * | 3/2010 | Slubski | | D9/516 |
| 7,690,329 | B2 * | 4/2010 | Parks | | 119/74 |

* cited by examiner

Primary Examiner—Marianne Pandozzi

(74) *Attorney, Agent, or Firm*—Gardner Groff Greenwald &
Villanueva, PC

(57) **CLAIM**

The ornamental design for a pet water bottle, as shown and described.

DESCRIPTION

FIG. 1 is a perspective view of a pet water bottle showing a first embodiment of my new design;

FIG. 2 is a front view of the pet water bottle of FIG. 1 (side view is identical).

FIG. 3 is a top view of the pet water bottle of FIG. 1.

FIG. 4 is a bottom view of the pet water bottle of FIG. 1.

FIG. 5 is a perspective view of the pet water bottle showing a second embodiment of my new design;

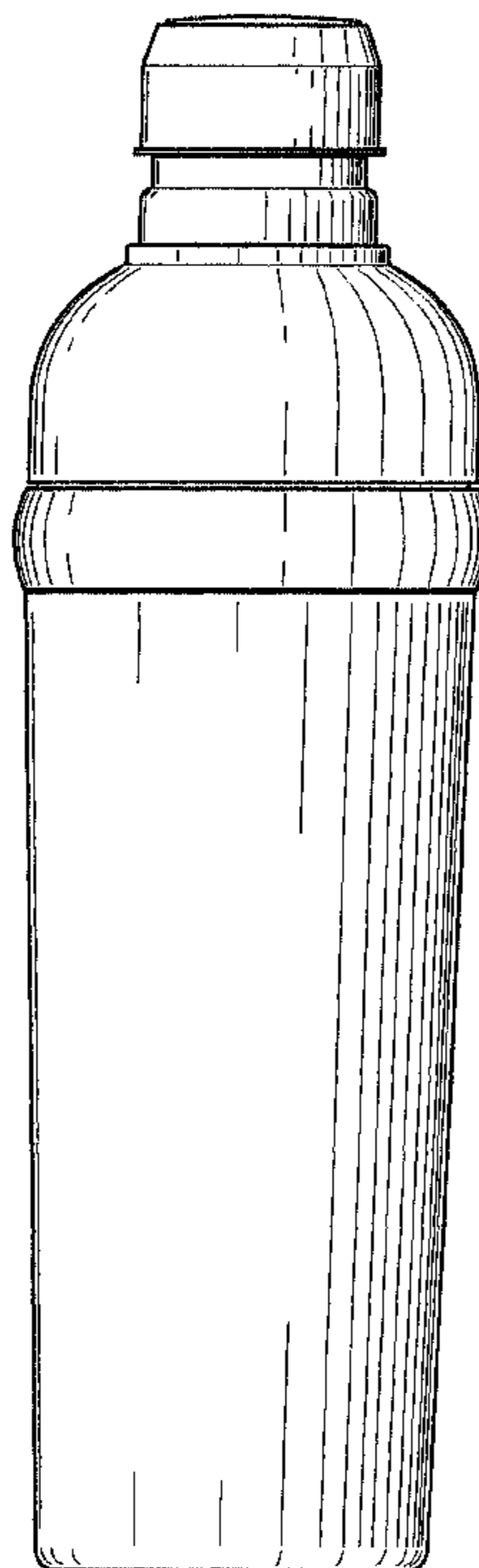
FIG. 6 is a top view of the pet water bottle of FIG. 5.

FIG. 7 is a bottom view of the pet water bottle of FIG. 5; and,

FIG. 8 is a front view thereof, all sides being the same other than the features shown in broken line.

The broken lines in the drawings are included for the purpose of illustration and form no part of the claimed design.

1 Claim, 3 Drawing Sheets



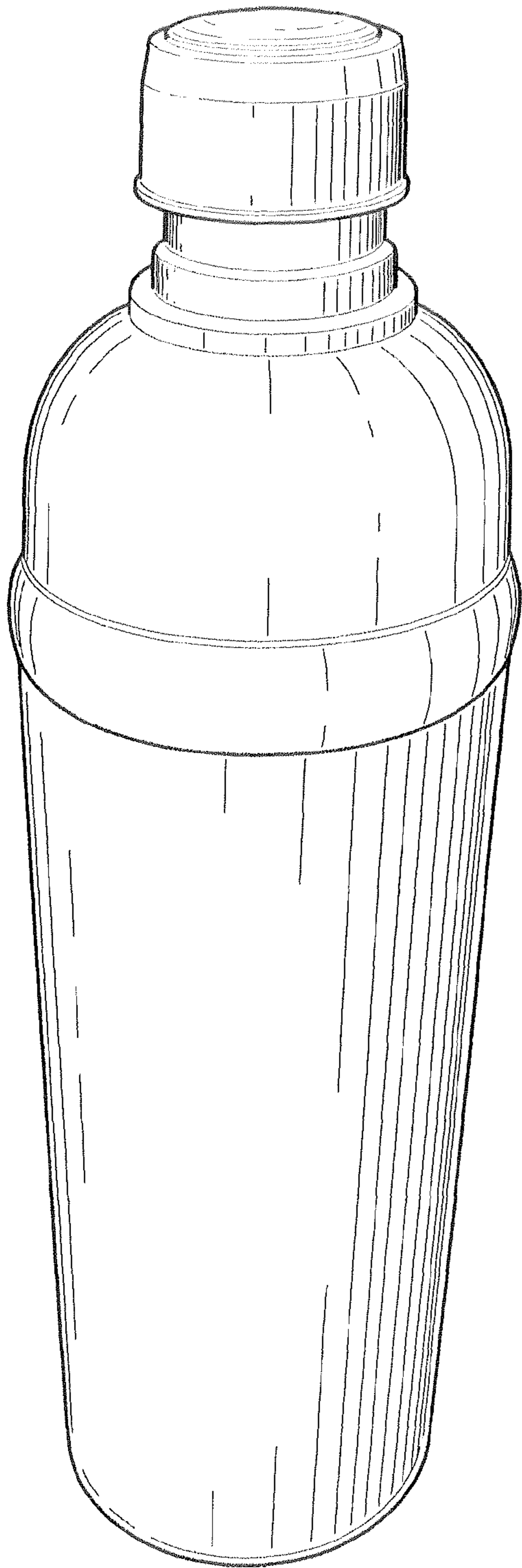


FIG. 1

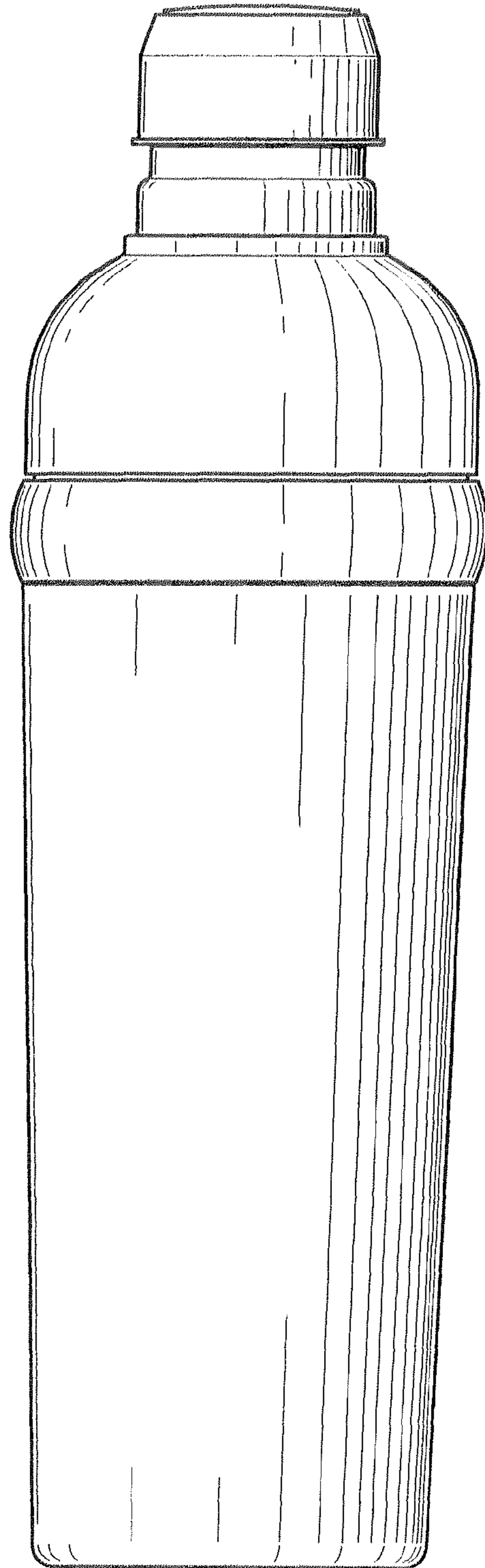


FIG. 2

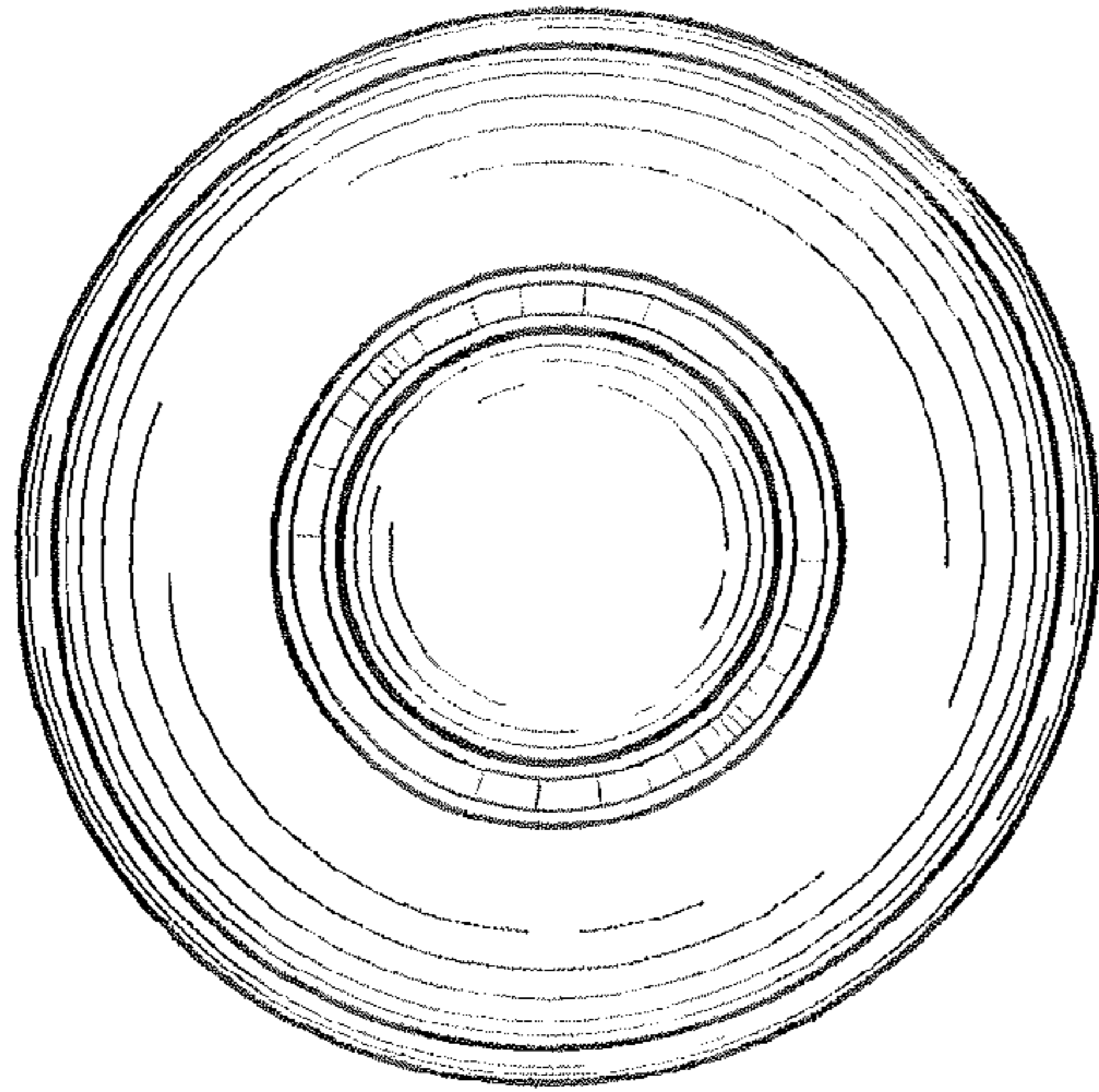


FIG. 3

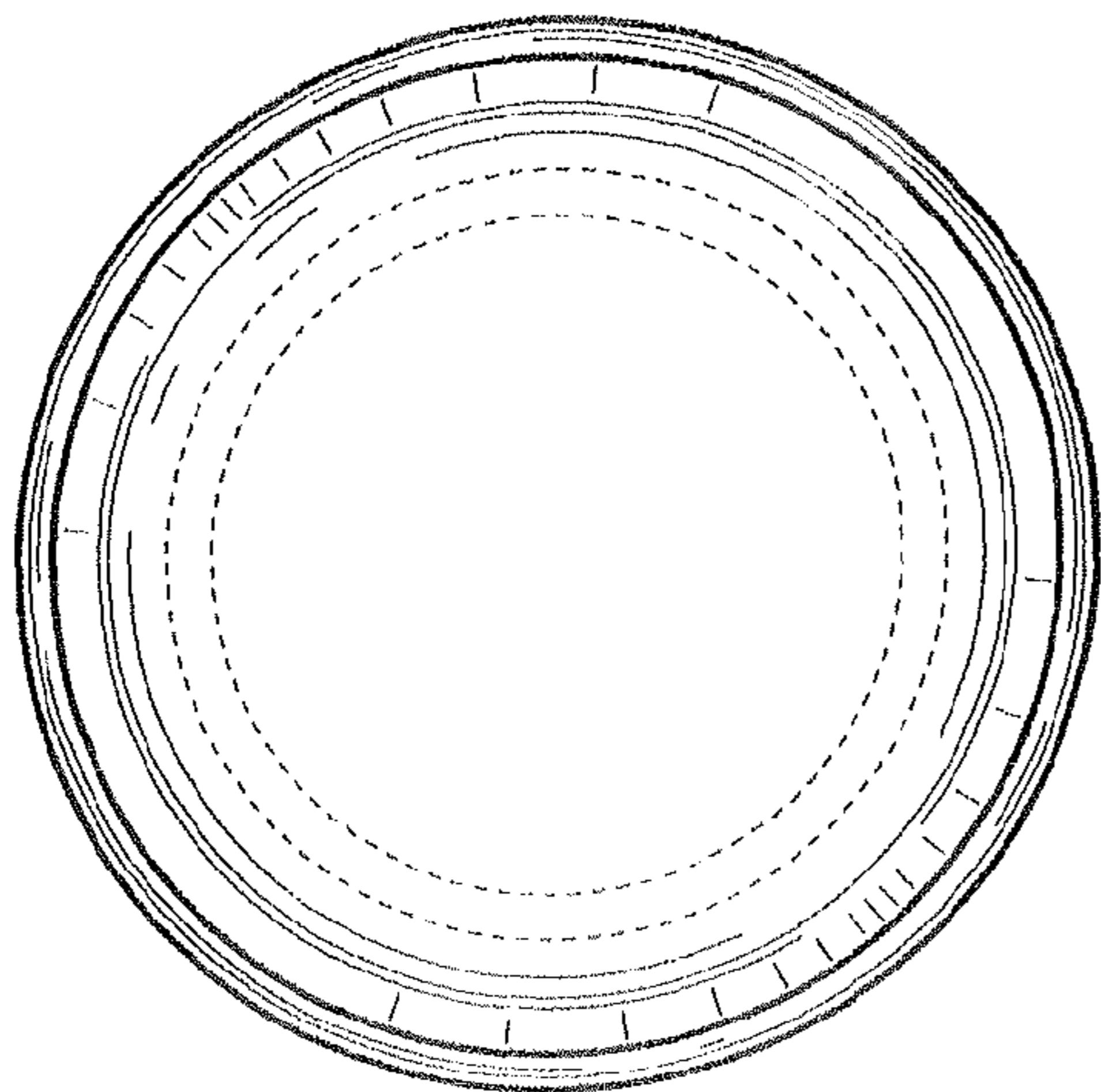


FIG. 4

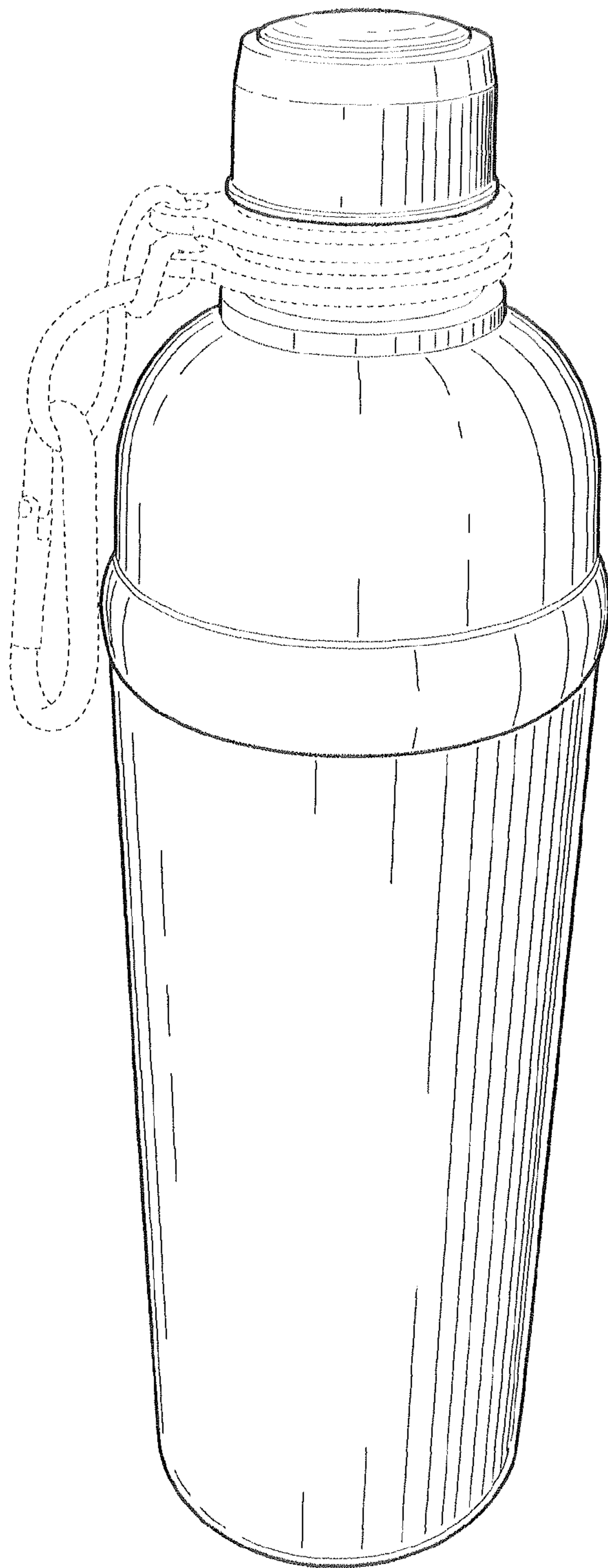


FIG. 5

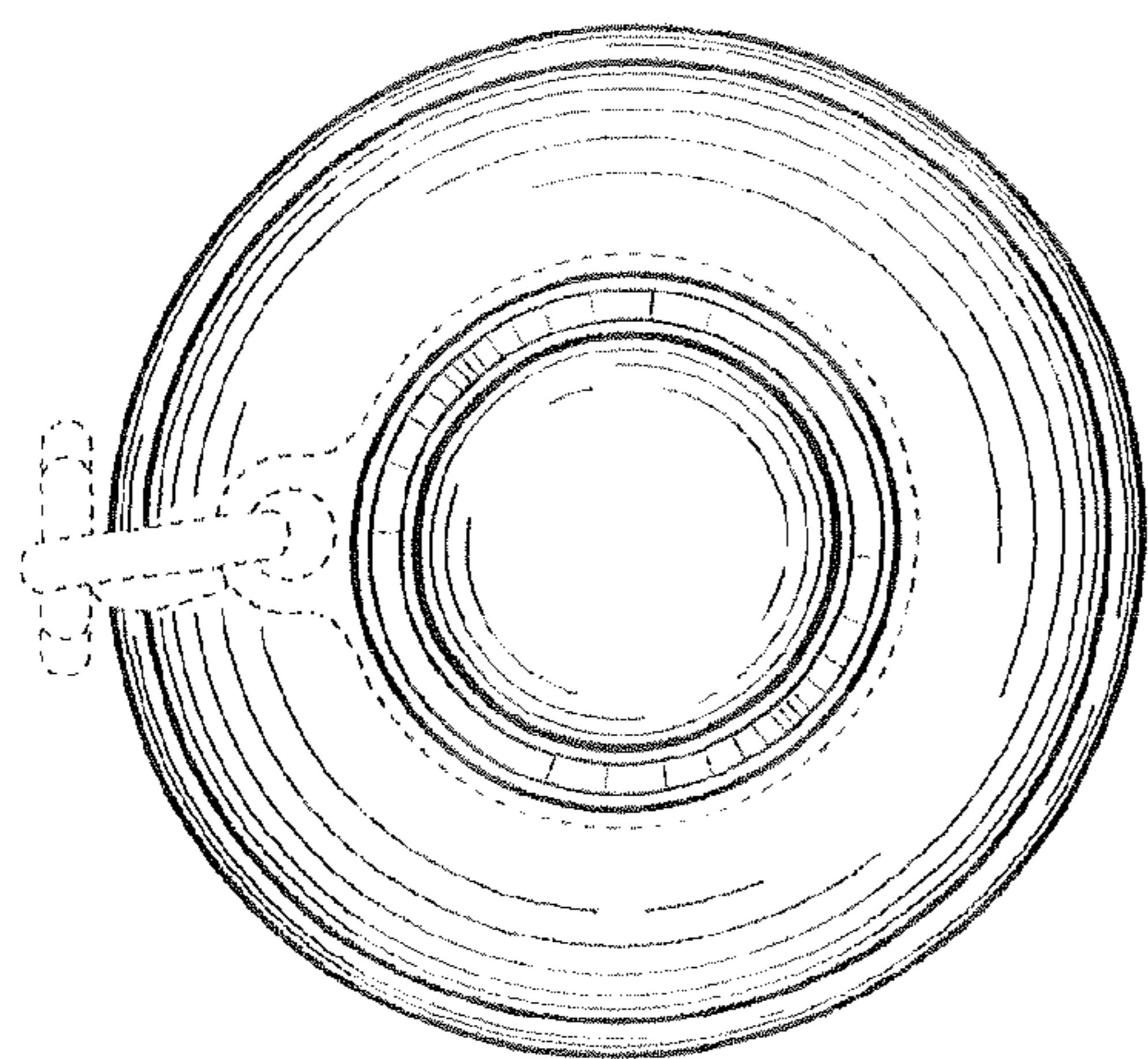


FIG. 6

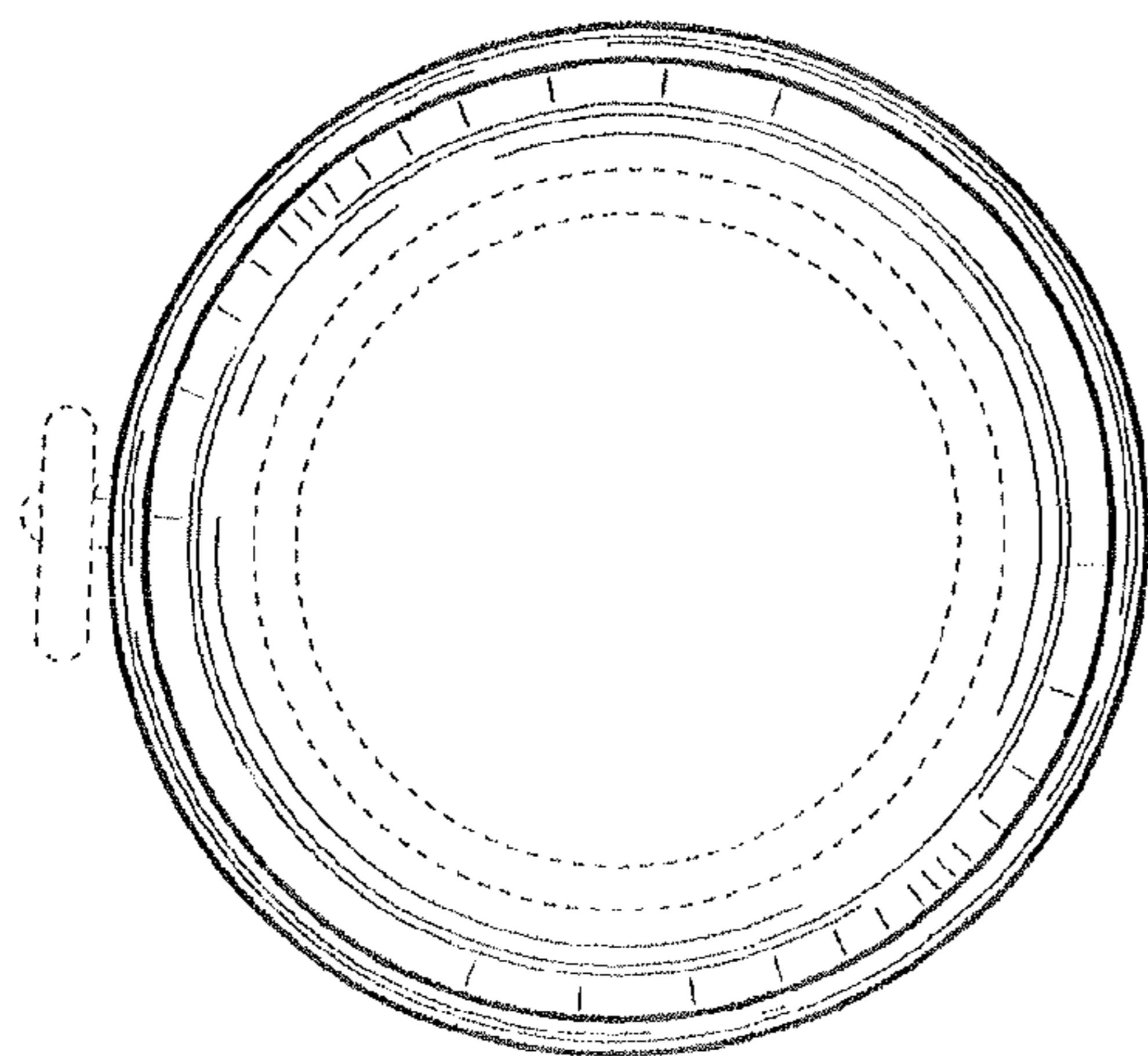


FIG. 7

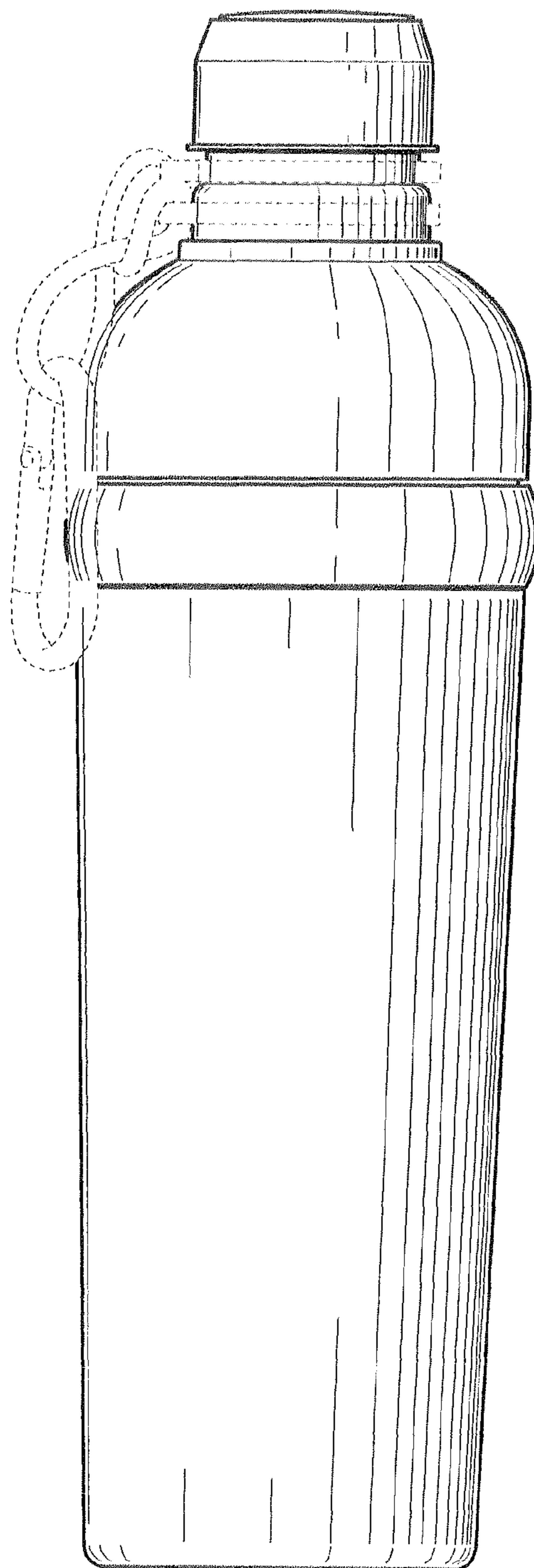


FIG. 8