



US00D623459S

(12) **United States Design Patent**
Villalva

(10) **Patent No.:** **US D623,459 S**

(45) **Date of Patent:** **** Sep. 14, 2010**

(54) **TABLE COVER TRASH BAG**

(76) **Inventor:** **Alicia Villalva**, 451 E. 875 North,
Ogden, UT (US) 84404

(**) **Term:** **14 Years**

(21) **Appl. No.:** **29/316,631**

(22) **Filed:** **Oct. 16, 2009**

(51) **LOC (9) Cl.** **06-13**

(52) **U.S. Cl.** **D6/617; D9/706**

(58) **Field of Classification Search** D6/617,
D6/610-612, 616, 582-584, 332; 297/219.1-229;
5/653, 655, 502, 111; 150/154, 158, 165;
D9/703, 706; 108/90

See application file for complete search history.

(56) **References Cited**

U.S. PATENT DOCUMENTS

2,493,401	A *	1/1950	Gunter	5/655
D275,624	S *	9/1984	Falk et al.	D6/582
4,515,841	A *	5/1985	Dyke	150/154
4,621,003	A *	11/1986	O’Kane	D6/610
D310,001	S *	8/1990	Harris	D6/611
D359,411	S *	6/1995	Wade	D6/610

5,722,100	A *	3/1998	Jozwiak	5/655
5,906,413	A *	5/1999	Yang	297/219.1
6,131,995	A *	10/2000	Smith	297/229
6,176,356	B1 *	1/2001	Powley	5/655
D458,040	S *	6/2002	Stannis et al.	D6/332
D554,424	S *	11/2007	Sandey et al.	D6/612
7,614,098	B1 *	11/2009	Quarry	5/111

* cited by examiner

Primary Examiner—T. Chase Nelson

Assistant Examiner—David G Muller

(74) *Attorney, Agent, or Firm*—Richard L. Mikesell

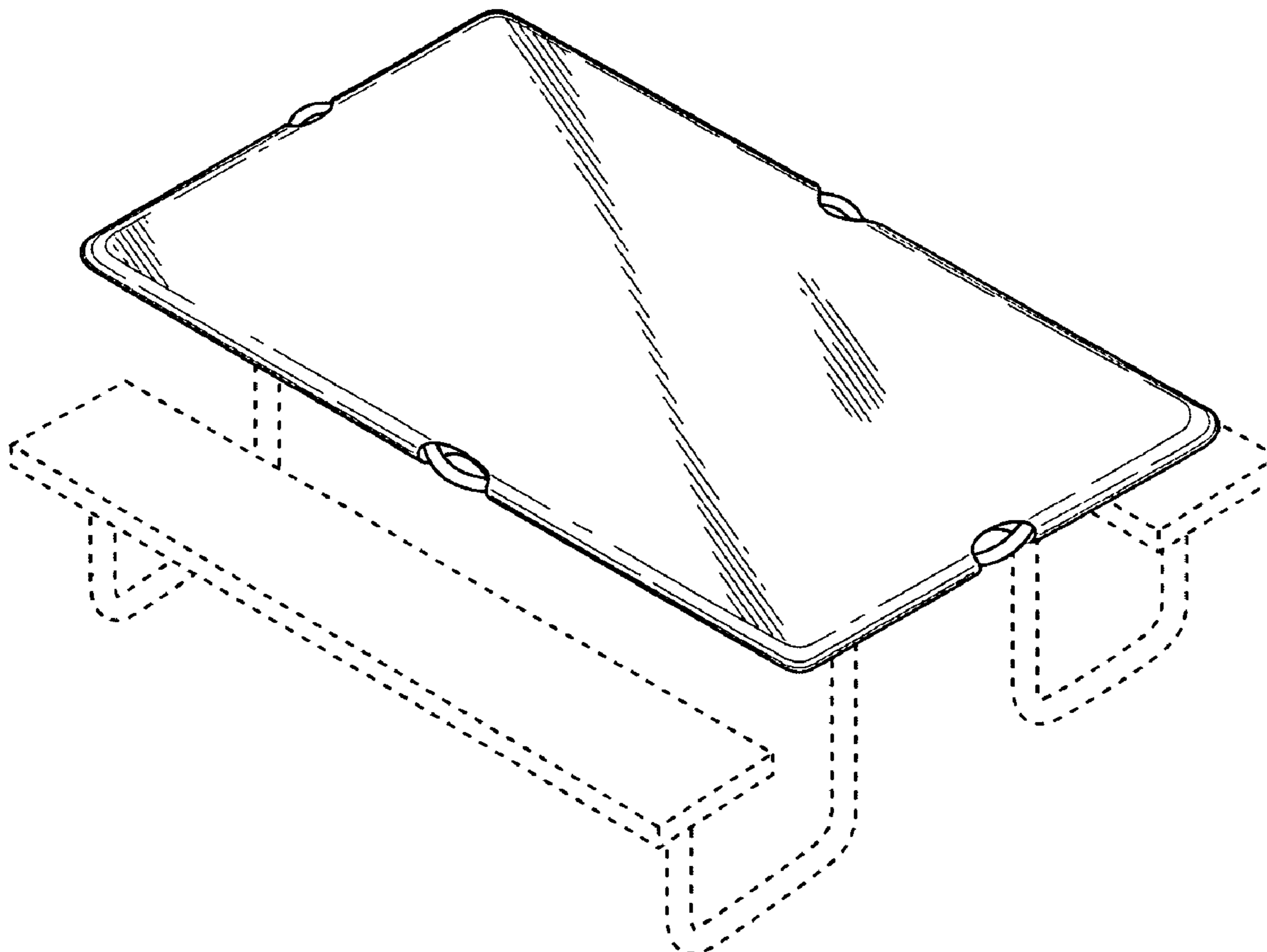
(57) **CLAIM**

The ornamental design for a table cover trash bag, as shown and described.

DESCRIPTION

FIG. 1 is a bottom left perspective view of the cover unfolded; FIG. 2 is a top left perspective view, showing the cover folded as a trash bag, and removed from the table; and, FIG. 3 is a top left perspective view of the cover unfolded in place on a table. The table shown in broken lines forms no part of the claimed design.

1 Claim, 2 Drawing Sheets



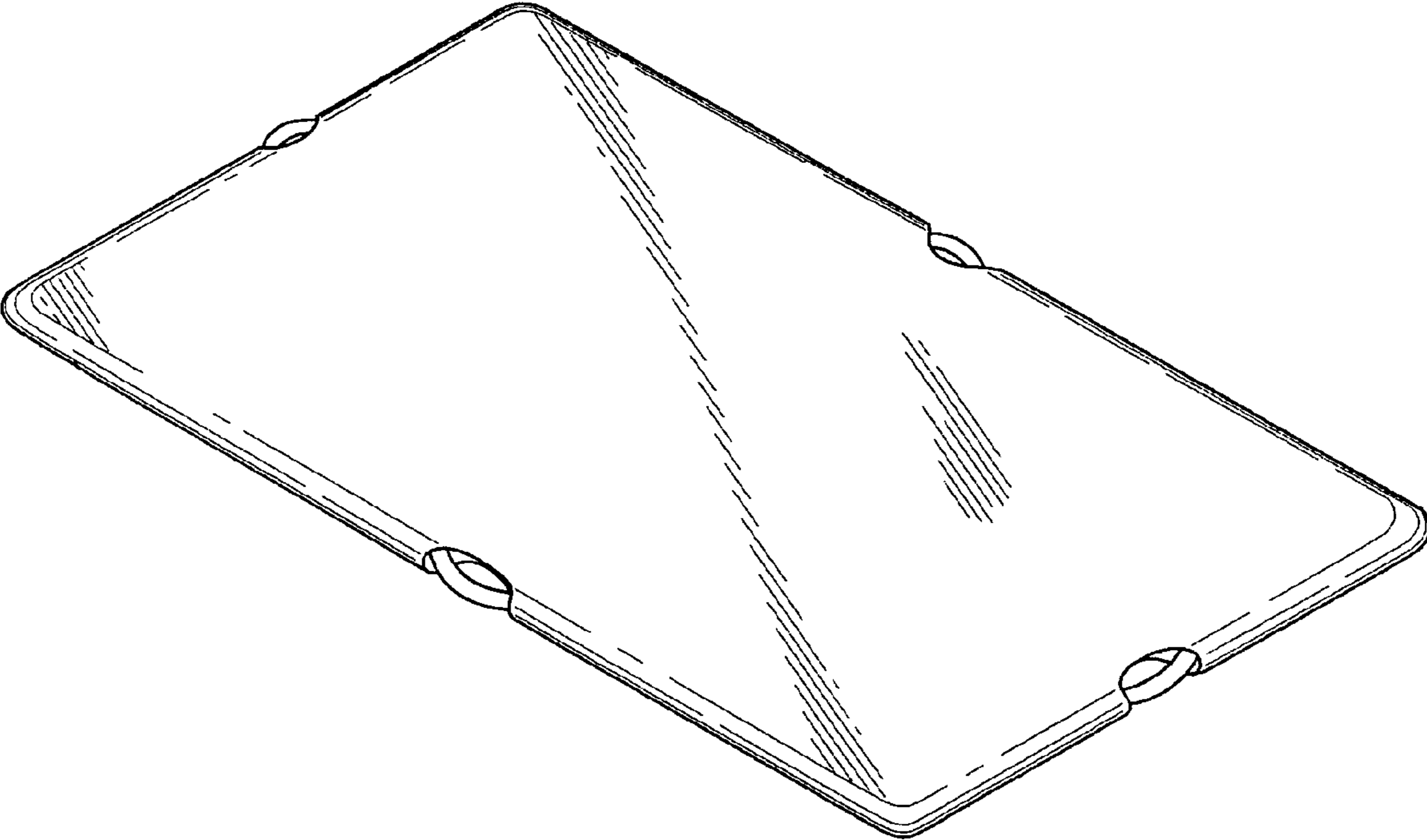


Fig. 1

Fig. 2

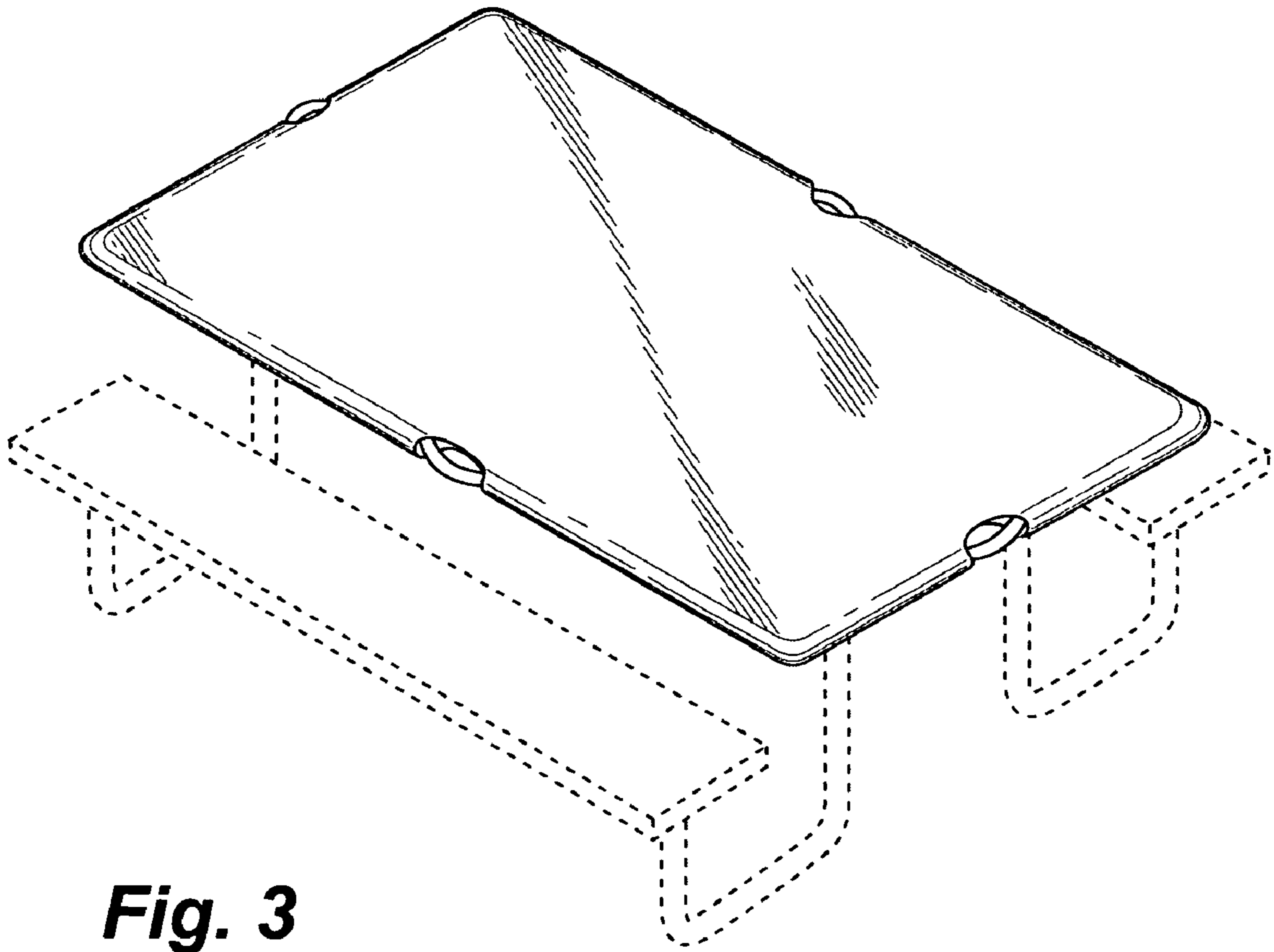
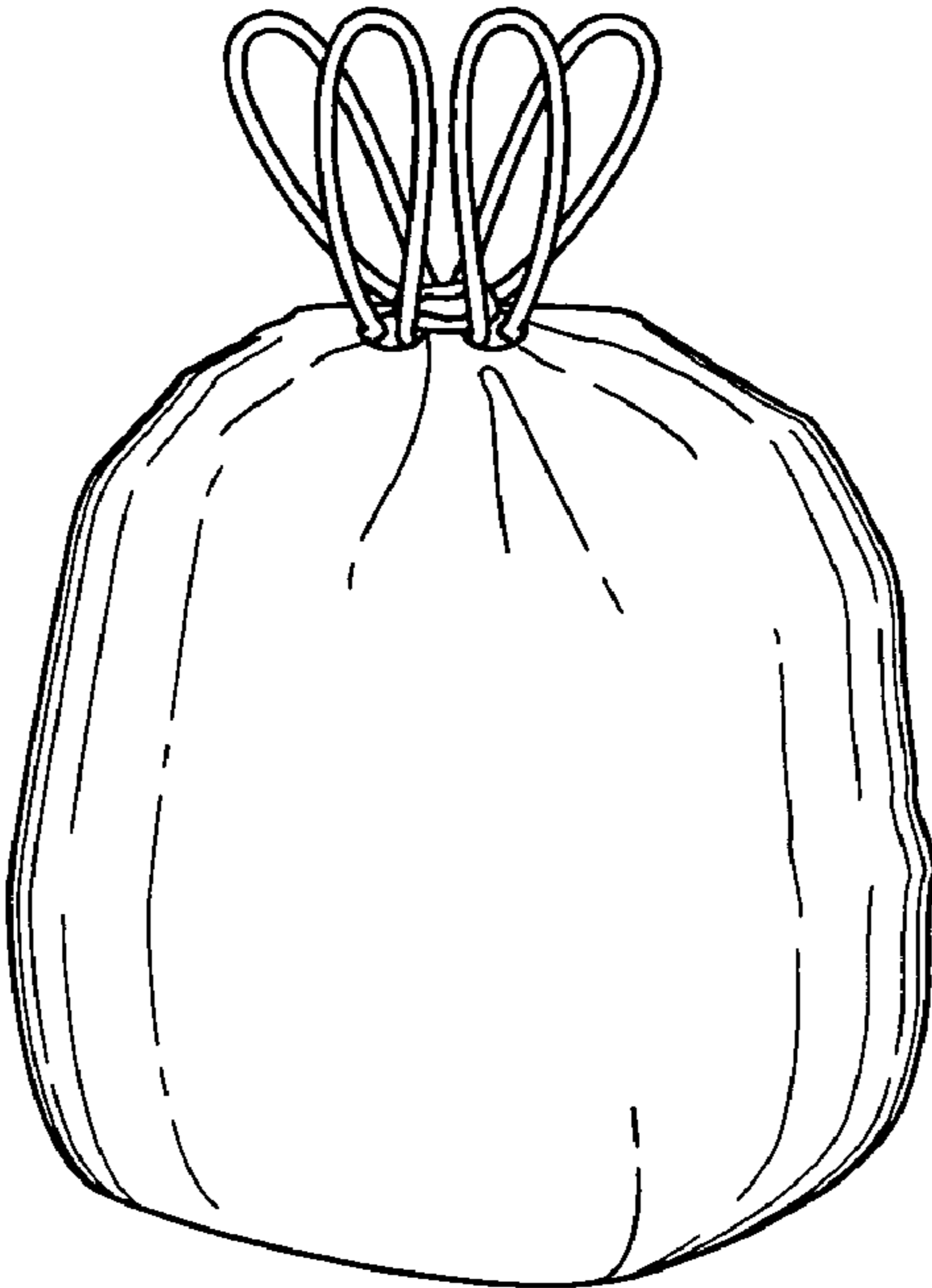


Fig. 3